



New Jersey Assessment of Skills and Knowledge Grade 6 MATHEMATICS REFERENCE SHEET

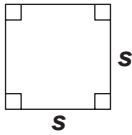
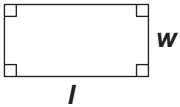
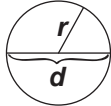
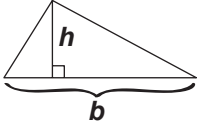
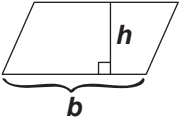
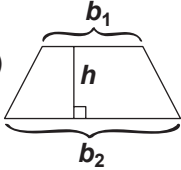
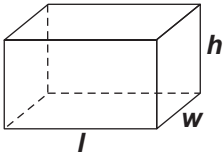
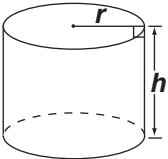
Use the information below to answer questions on the
Mathematics section of the Grade Six Assessment of Skills and Knowledge (NJ ASK 6).

The sum of the measures of the interior angles of a triangle = 180°

Distance = rate \times time

Simple Interest Formula: $A = p + prt$

A = amount after t years; p = principal; r = annual interest rate; t = number of years

$\pi \approx 3.14$ or $\frac{22}{7}$	<p>Square Area = s^2 Perimeter = $4s$</p> 	<p>Rectangle Area = lw Perimeter = $2l + 2w$</p> 
<p>Circle Area = πr^2 Circumference = $2\pi r$ = πd</p> 	<p>Triangle Area = $\frac{1}{2}bh$</p> 	<p>Parallelogram Area = bh</p> 
<p>Trapezoid Area = $\frac{1}{2}h(b_1 + b_2)$</p> 	<p>Rectangular Prism Volume = lwh Surface Area = $2lw + 2wh + 2lh$</p> 	<p>Cylinder Volume = πr^2h Surface Area = $2\pi rh + 2\pi r^2$</p> 

USE THE FOLLOWING EQUIVALENTS FOR YOUR CALCULATIONS

<p>60 seconds = 1 minute 60 minutes = 1 hour 24 hours = 1 day 7 days = 1 week 12 months = 1 year 365 days = 1 year</p>	<p>12 inches = 1 foot 3 feet = 1 yard 36 inches = 1 yard 5,280 feet = 1 mile 1,760 yards = 1 mile</p> <p>10 millimeters = 1 centimeter 100 centimeters = 1 meter 10 decimeters = 1 meter 1000 meters = 1 kilometer</p>
<p>8 fluid ounces = 1 cup 2 cups = 1 pint 2 pints = 1 quart 4 quarts = 1 gallon</p> <p>1000 milliliters (mL) = 1 liter (L)</p>	<p>16 ounces = 1 pound 2,000 pounds = 1 ton</p> <p>1000 milligrams = 1 gram 100 centigrams = 1 gram 10 grams = 1 dekagram 1000 grams = 1 kilogram</p>