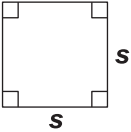
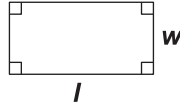
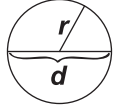
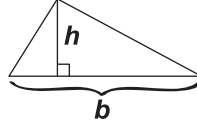
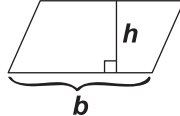
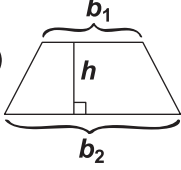
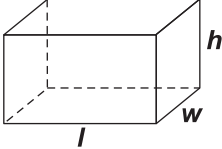
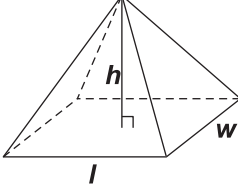




New Jersey Assessment of Skills and Knowledge Grade 7 MATHEMATICS REFERENCE SHEET

Use the information below to answer questions on the Mathematics section of the Grade Seven Assessment of Skills and Knowledge (NJ ASK 7).

Distance = rate \times time

$\pi \approx 3.14$ or $\frac{22}{7}$	Square Area = s^2 Perimeter = $4s$ 	Rectangle Area = lw Perimeter = $2l + 2w$ 	
Circle Area = πr^2 Circumference = $2\pi r$ = πd 	Triangle Area = $\frac{1}{2}bh$ 	Parallelogram Area = bh 	
Trapezoid Area = $\frac{1}{2}h(b_1 + b_2)$ 	Rectangular Prism Volume = $lwh = Bh$ Surface Area = $2lw + 2wh + 2lh$ 	Pyramid Volume = $\frac{1}{3}lwh$ 	

USE THE FOLLOWING EQUIVALENTS FOR YOUR CALCULATIONS

1 mile = 5,280 feet	1 inch = 2.54 centimeters	1 cup = 8 fluid ounces	1 gallon = 3.785 liters
1 mile = 1,760 yards	1 meter = 39.37 inches	1 pint = 2 cups	1 liter = 0.264 gallon
	1 mile = 1.609 kilometers	1 quart = 2 pints	
	1 kilometer = 0.62 mile	1 gallon = 4 quarts	1 liter = 1000 cubic centimeters
	1 pound = 16 ounces	1 pound = 0.454 kilogram	
	1 ton = 2,000 pounds	1 kilogram = 2.2 pounds	

