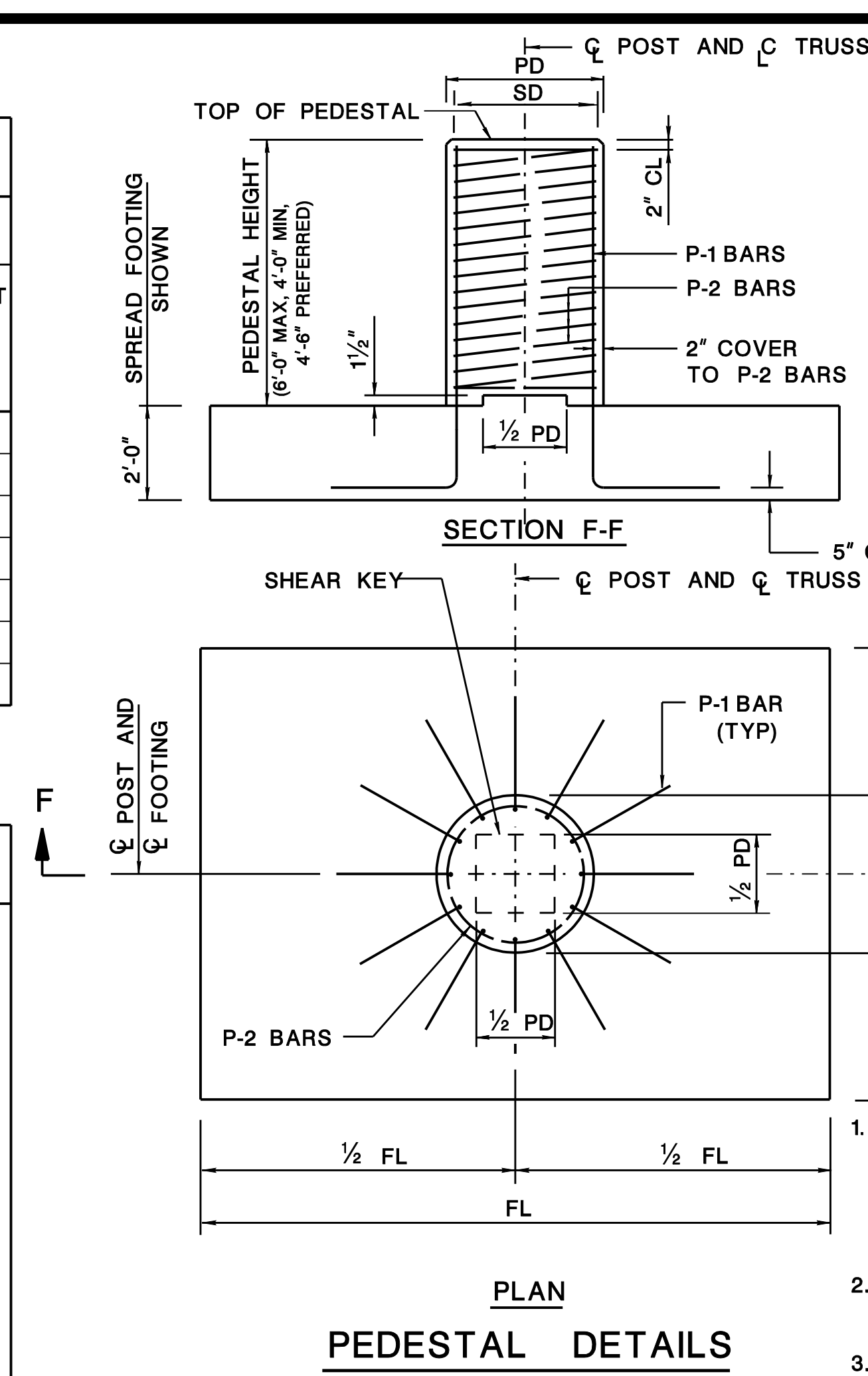
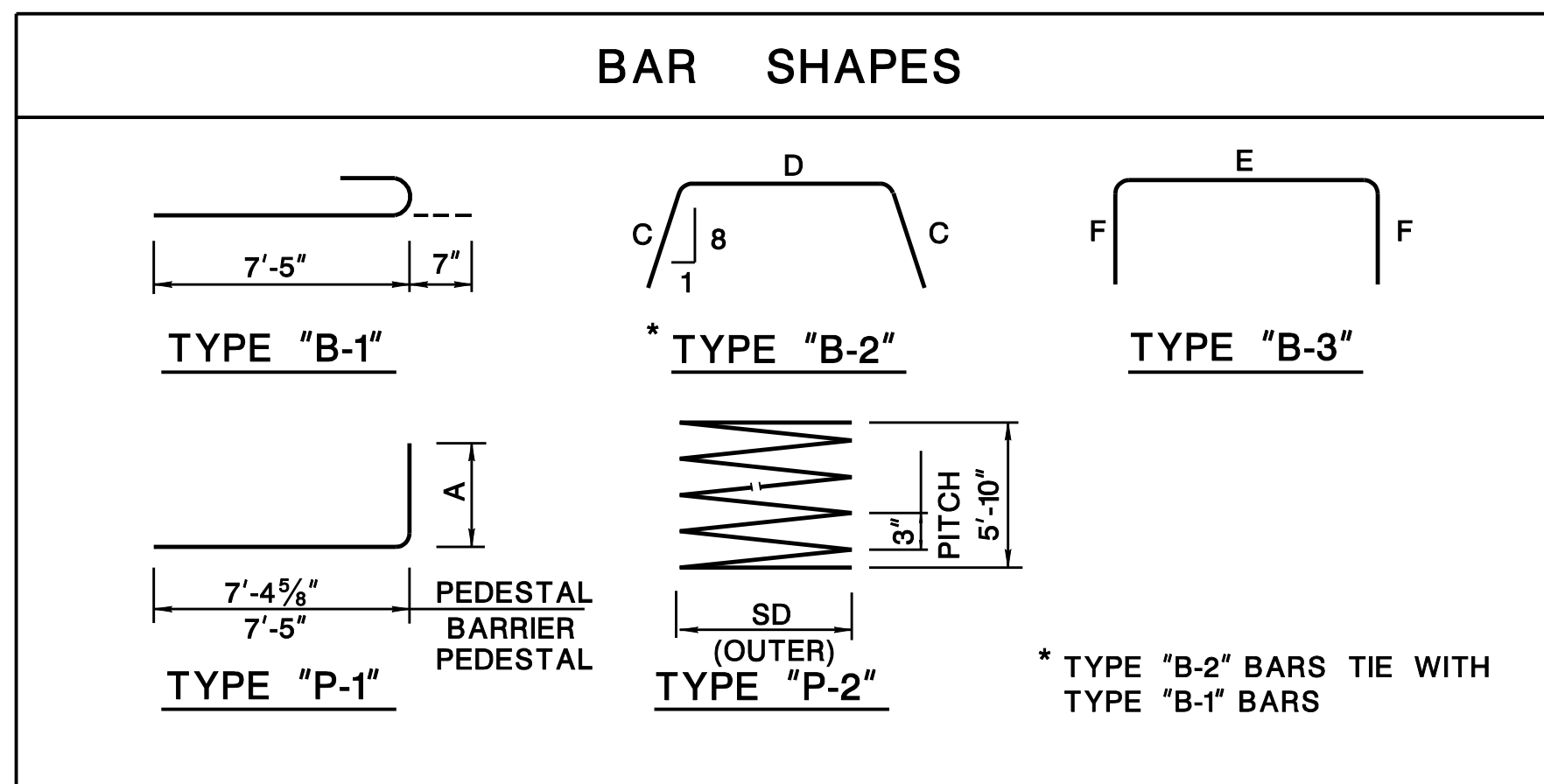
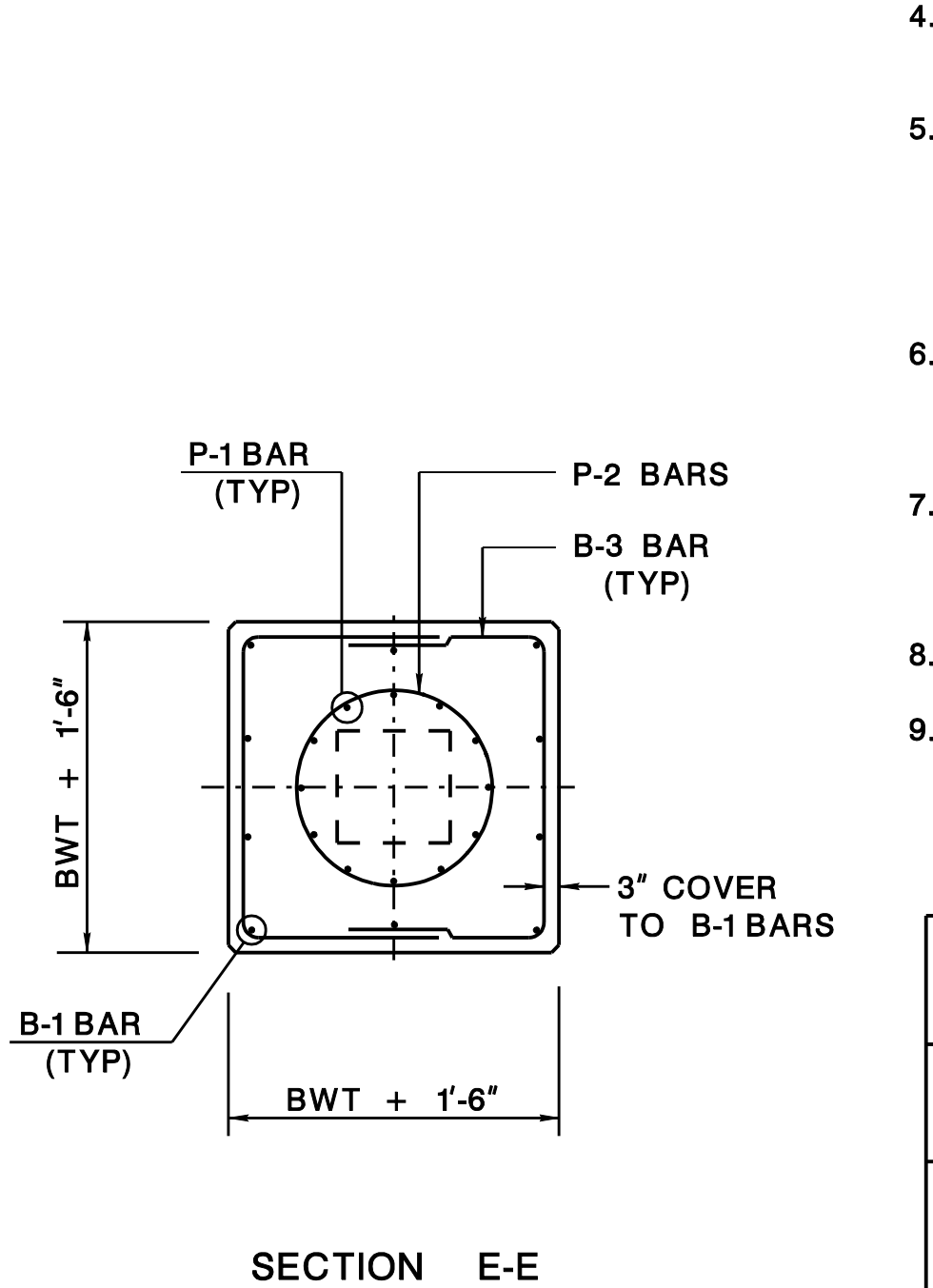
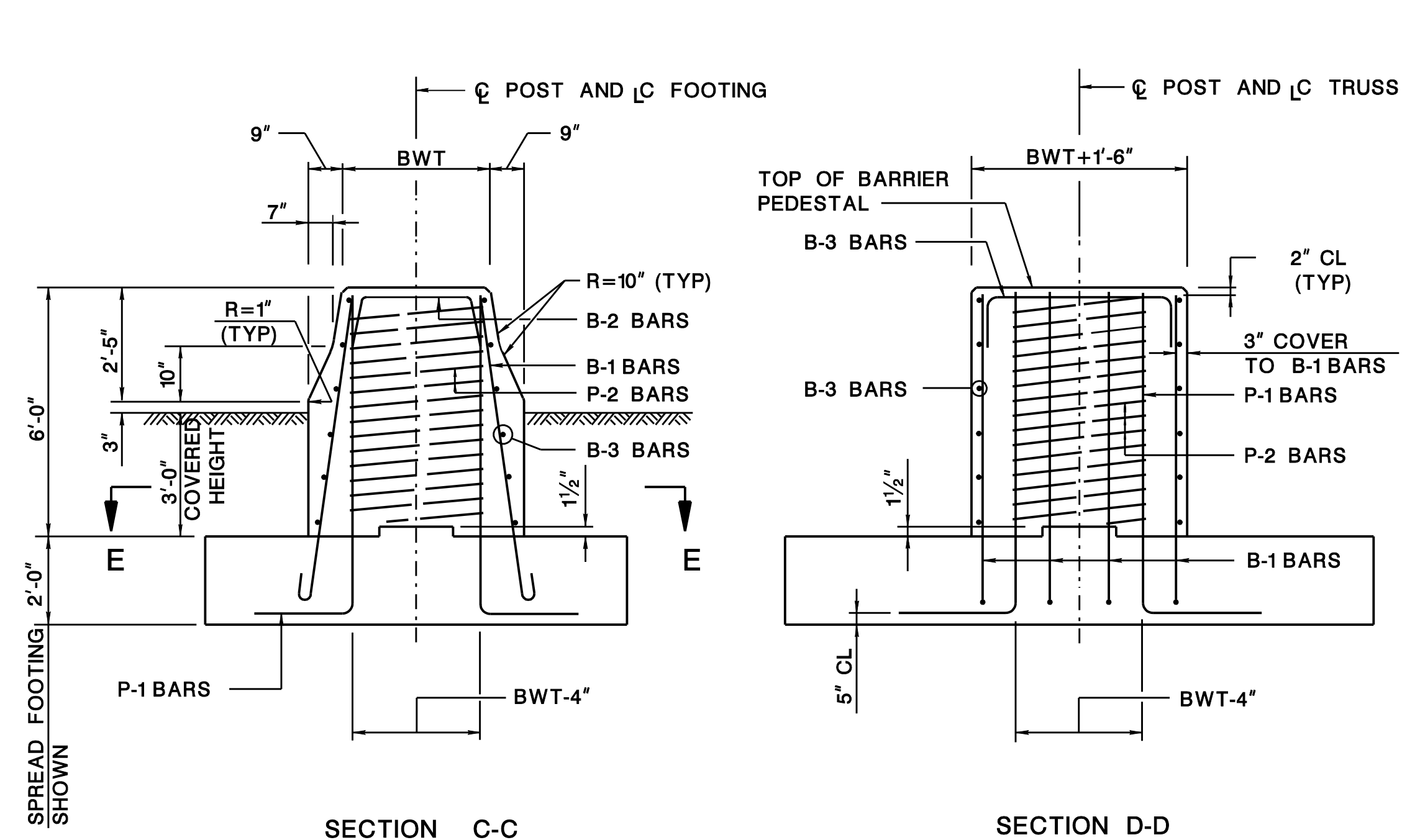
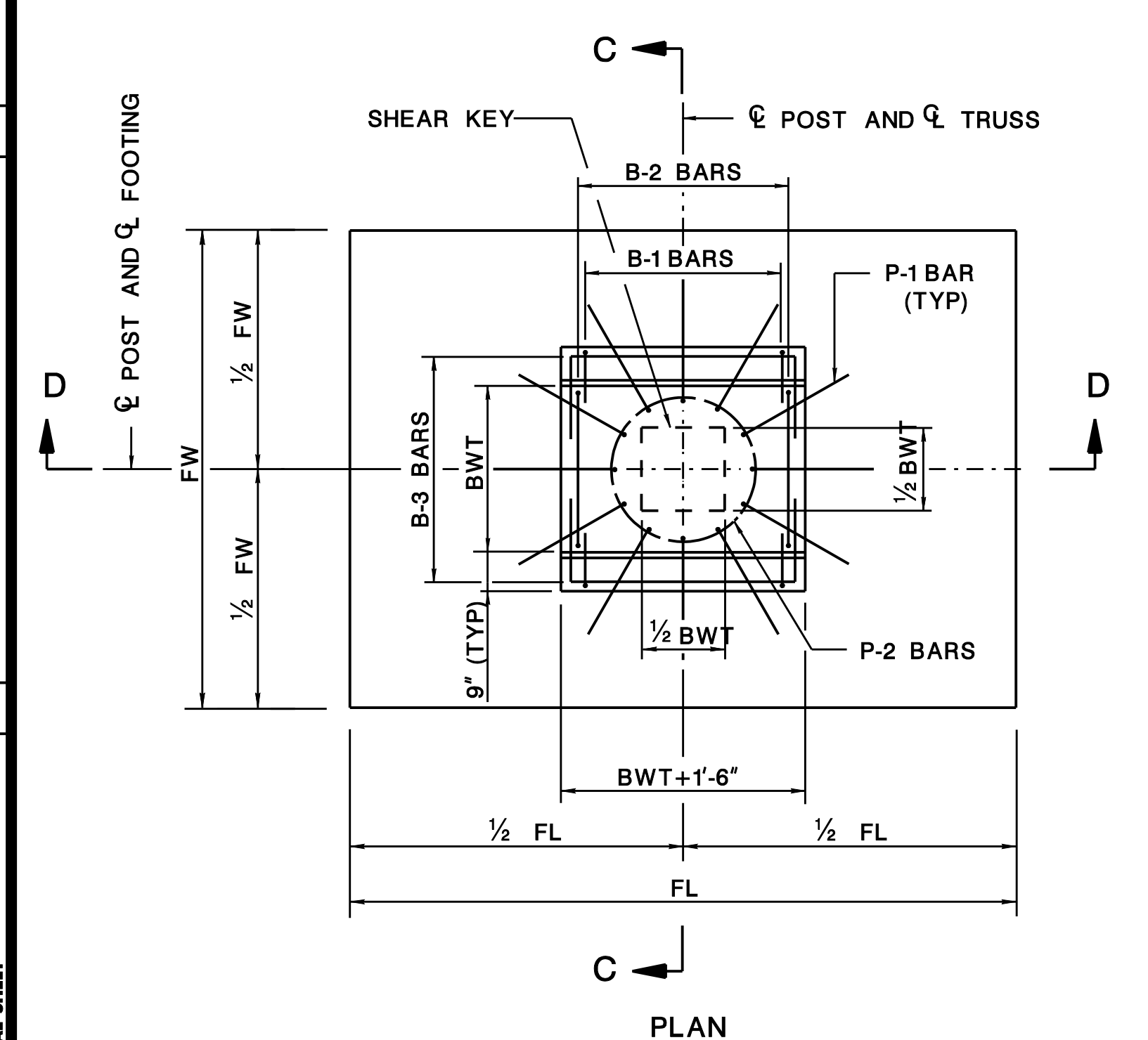


BARRIER PEDESTAL REINFORCEMENT																								
BARRIER TOP DIMENSION	VOL OF CONC (C.Y.)	VERTICAL BARS				SPIRAL BARS				STANDARD BARRIER REBARS														WEIGHT SUB TOTAL (LBS)
		TYPE "P-1"				TYPE "P-2"				#16 BAR, TYPE "B-1"				#16 BAR, TYPE "B-2"				#16 BAR, TYPE "B-3"						
		SIZE	A	LENGTH	WEIGHT (LBS)	SIZE	SD (IN)	LENGTH	WEIGHT (LBS)	LENGTH	No.	TOTAL LENGTH	WEIGHT (LBS)	D (IN)	C (IN)	LENGTH	No.	WEIGHT (LBS)	E (IN)	F (IN)	LENGTH	No.	WEIGHT (LBS)	
40	4.5	#25	2'-4"	9'-9"	25.8	#13	36	259'-9"	173.5	8'-0"	10	80'-0"	83.4	34	12	4'-8"	4	19.5	54	32	9'-8"	12	121.0	223.9
42	4.8	#25	2'-4"	9'-9"	25.8	#13	38	274'-2"	183.2	8'-0"	10	80'-0"	83.4	36	12	4'-10"	4	20.2	56	33	10'-0"	12	125.2	228.8
44	5.2	#25	2'-4"	9'-9"	25.8	#13	40	288'-7"	192.8	8'-0"	10	80'-0"	83.4	38	12	5'-0"	4	20.9	58	34	10'-4"	12	129.3	233.6
46	5.5	#25	2'-4"	9'-9"	25.8	#13	42	303'-0"	202.4	8'-0"	10	80'-0"	83.4	40	12	5'-2"	4	21.6	60	35	10'-8"	12	133.5	238.5
48	5.9	#25	2'-4"	9'-9"	25.8	#13	44	317'-6"	212.1	8'-0"	12	96'-0"	100.1	42	12	5'-4"	5	27.8	62	36	11'-0"	12	137.7	265.6
50	6.3	#25	2'-4"	9'-9"	25.8	#13	46	331'-11"	221.7	8'-0"	12	96'-0"	100.1	44	12	5'-6"	5	28.7	64	37	11'-4"	12	141.9	270.7
52	6.7	#25	2'-4"	9'-9"	25.8	#16	48	346'-4"	361.2	8'-0"	12	96'-0"	100.1	46	12	5'-8"	5	29.6	66	38	11'-8"	12	146.0	275.7

PEDESTAL REINFORCEMENT									
PEDESTAL DIAMETER	VOL OF CONC (C.Y.)	VERTICAL BARS				SPIRAL BARS			
		TYPE "P-1"				TYPE "P-2"			
PD (IN)	(C.Y.)	SIZE (NOTE 9)	A	LENGTH	WEIGHT (LBS)	SIZE	SD (IN)	LENGTH	WEIGHT (LBS)
40	1.8	#25	2'-4"	9'-7 <sup>5</sup> / <sub>8</sub> "	25.7	#13	36	259'-9"	173.5
42	2.1	#25	2'-4"	9'-7 <sup>5</sup> / <sub>8</sub> "	25.7	#13	38	274'-2"	183.2
44	2.2	#25	2'-4"	9'-7 <sup>5</sup> / <sub>8</sub> "	25.7	#13	40	288'-7"	192.8
46	2.5	#25	2'-4"	9'-7 <sup>5</sup> / <sub>8</sub> "	25.7	#13	42	303'-0"	202.4
48	2.6	#25	2'-4"	9'-7 <sup>5</sup> / <sub>8</sub> "	25.7	#13	44	317'-6"	212.1
50	2.9	#25	2'-4"	9'-7 <sup>5</sup> / <sub>8</sub> "	25.7	#13	46	331'-11"	221.7
52	3.1	#25	2'-4"	9'-7 <sup>5</sup> / <sub>8</sub> "	25.7	#16	48	346'-4"	361.2



- NOTES:**
- FOUNDATION DESIGN CONFORMS TO THE 2001 AASHTO STANDARD SPECIFICATIONS FOR STRUCTURAL SUPPORTS FOR HIGHWAY SIGNS, LUMINAIRES AND TRAFFIC SIGNALS, SECTION 13. REFER TO THE NJDOT BRIDGES AND STRUCTURES DESIGN MANUAL FOR ALTERNATE FOUNDATION CRITERIA.
  - FOR PEDESTAL AND BARRIER PEDESTAL DIMENSIONS AND REINFORCEMENT, SEE DESIGN TABLES ON DRG. CA-G3.
  - ALL REINFORCEMENT IN PEDESTALS AND BARRIER PEDESTALS SHALL BE CORROSION PROTECTED.
  - EXPOSED CONCRETE EDGES SHALL BE CHAMFERED 1"x1" UNLESS NOTED OTHERWISE.
  - BARS SHALL NOT BE SPLICED EXCEPT AS PROVIDED ON THIS DRAWING OR AUTHORIZED BY THE RE. WHEN SPLINCING IS APPROVED, THE REINFORCEMENT BARS SHALL BE LAPPED FOR A LENGTH OF AT LEAST 36 DIAMETERS (48 DIAMETERS FOR SPIRAL BARS) AND SHALL BE SECURELY WIRED TOGETHER.
  - LENGTH OF BARS SHOWN IN TABLE ALREADY CONSIDER BENDS. DIMENSIONS DESCRIBED IN BAR SHAPES TABLE ARE OUT-TO-OUT OF BAR.
  - CONCRETE VOLUMES, AND LENGTH OF B-1, P-1 AND P-2 BARS SHOWN IN TABLE ARE FOR A 6'-0" HIGH PEDESTAL OR 6'-0" HIGH BARRIER PEDESTAL.
  - WEIGHT SHOWN IN TABLE FOR P-1 BARS IS FOR ONE BAR ONLY.
  - REFER TO THE NJDOT BRIDGES AND STRUCTURES DESIGN MANUAL FOR CLARIFICATION OF REINFORCEMENT STEEL DESIGNATION.



**BARRIER PEDESTAL DETAILS**

**PEDESTAL DETAILS**

BD008D-02 - Dia./Cover Adjusted; Title Block Revised  
BD007D-02 - ORIGINAL SHEET

**SIGN STRUCTURE DRG. CA-G4**

NEW JERSEY DEPARTMENT OF TRANSPORTATION  
BUREAU OF STRUCTURAL ENGINEERING

**OVERHEAD SIGN SUPPORT STANDARDS**

**PEDESTAL AND BARRIER PEDESTAL  
DESIGN TABLE AND DETAILS**

SCALE : NONE 4

BRIDGE SHEET NO. OF 5