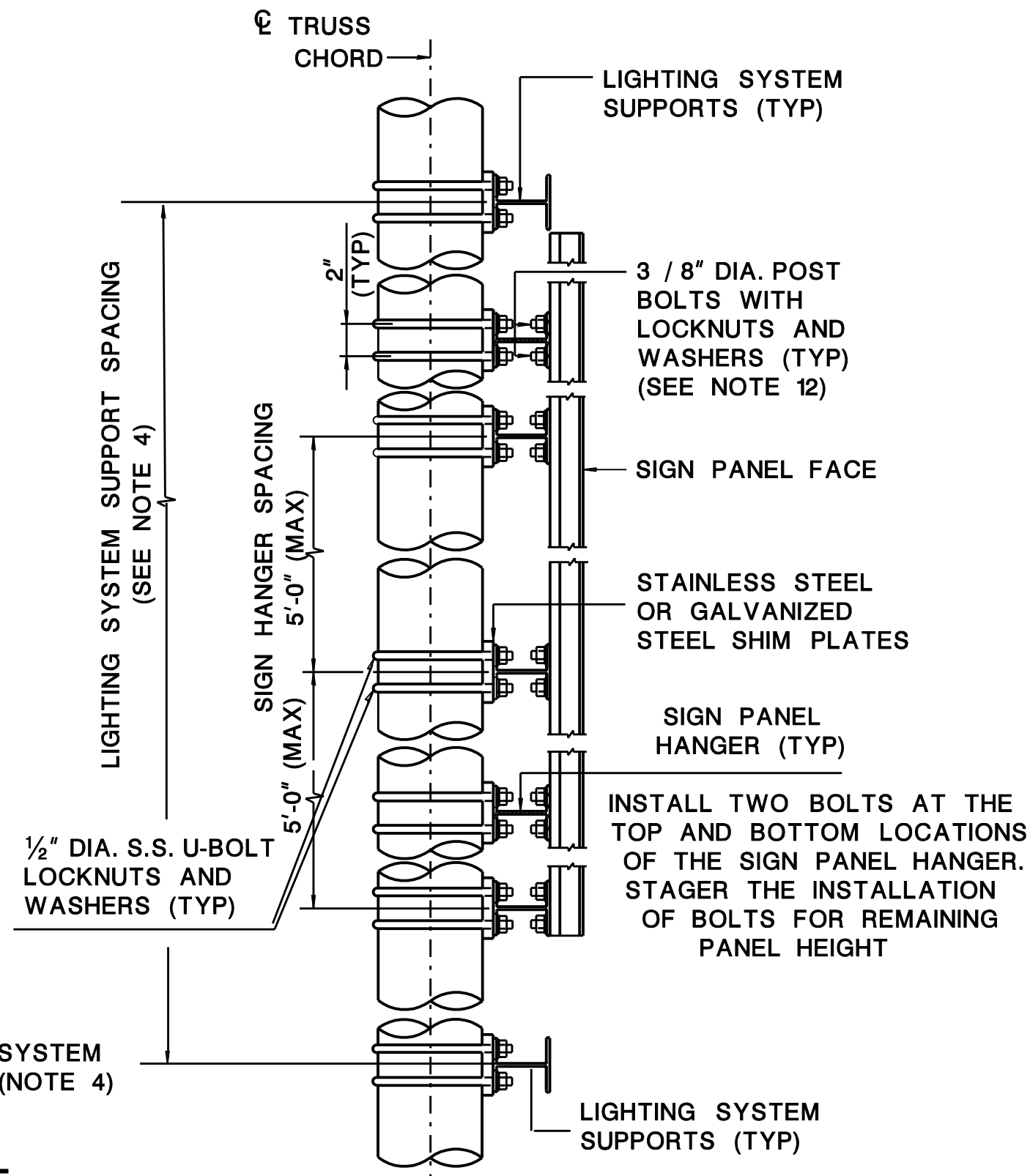
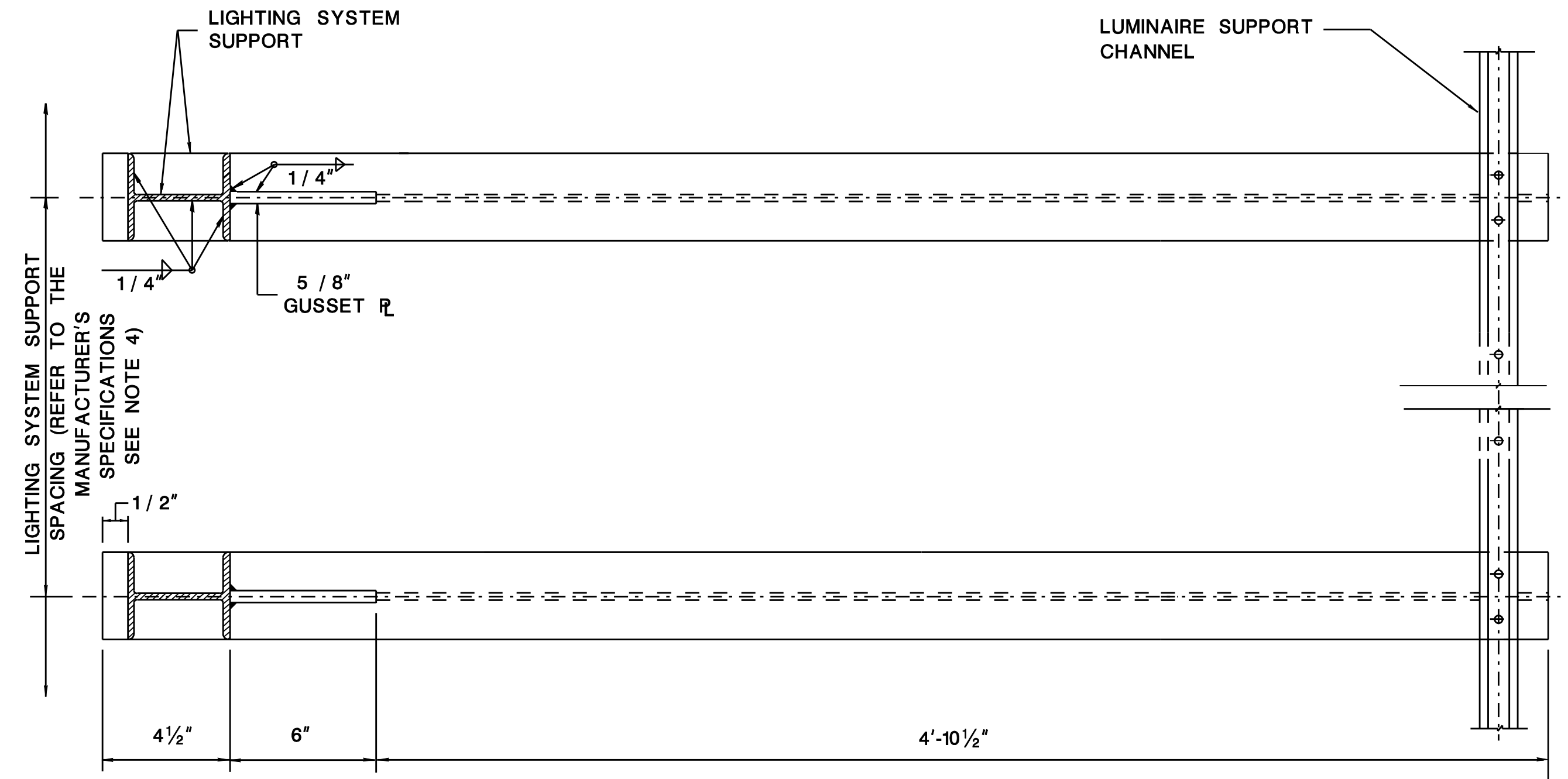


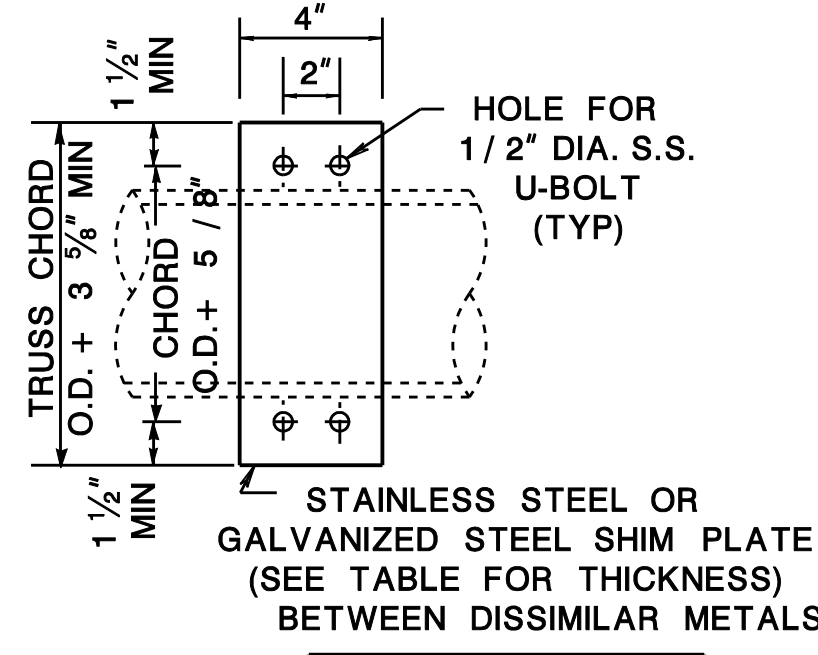
**TYPICAL LIGHTING SYSTEM SUPPORT DETAIL**



**SECTION A-A**



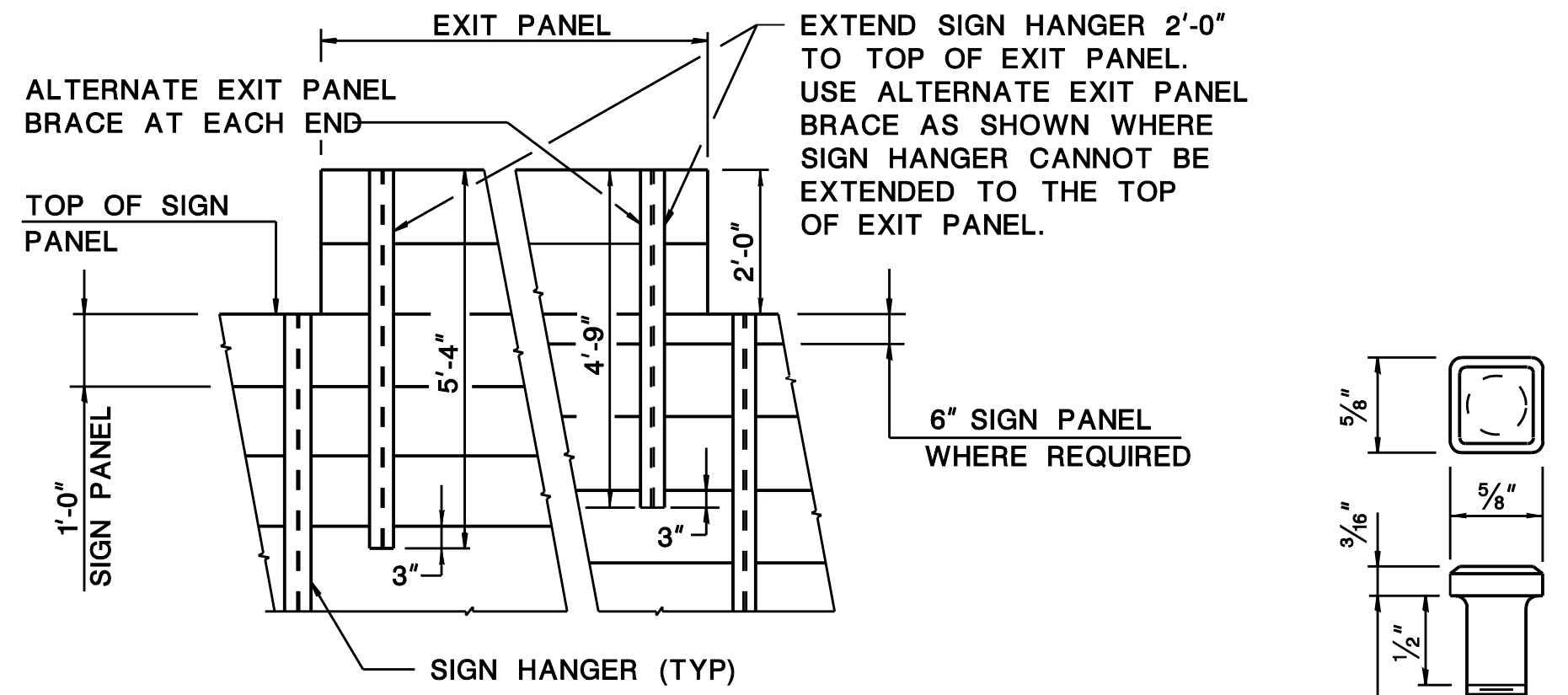
**SECTION B-B**



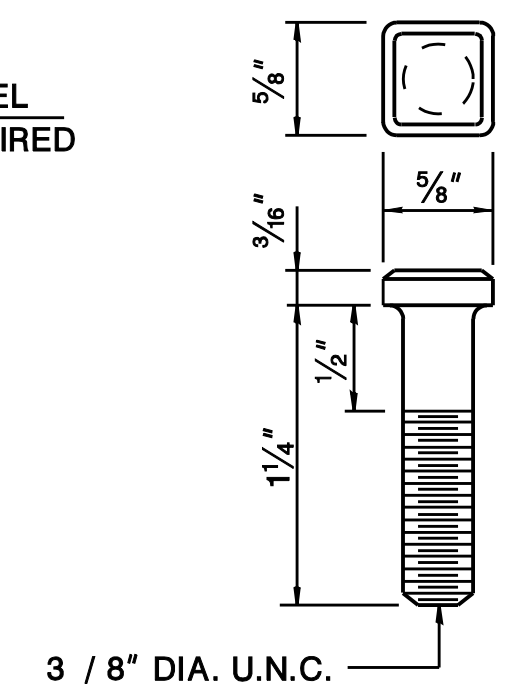
TRUSS CHORD O.D. (IN)	SHIM PLATE THICKNESS* (IN)
10.75	3/4
12.75	3/4
14.0	3/4

\* FOR TRUSS CHORD SIZES NOT SHOWN, USE 1/4" MIN. SHIM PLATE THICKNESS (SEE NOTE 6)

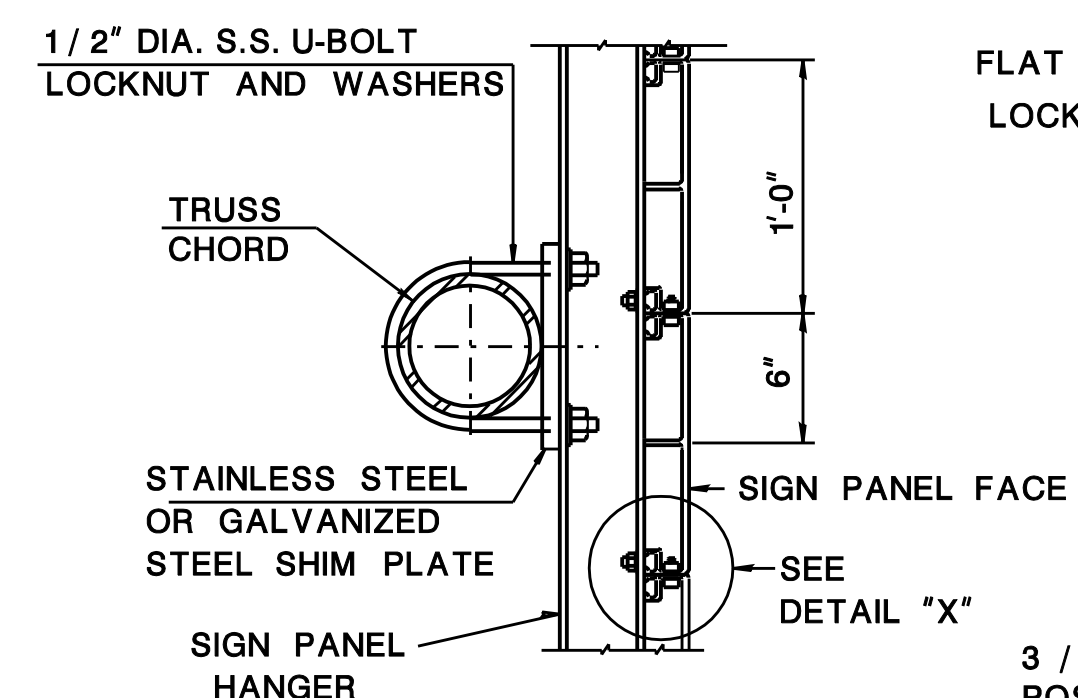
**SHIM PLATE DETAIL**



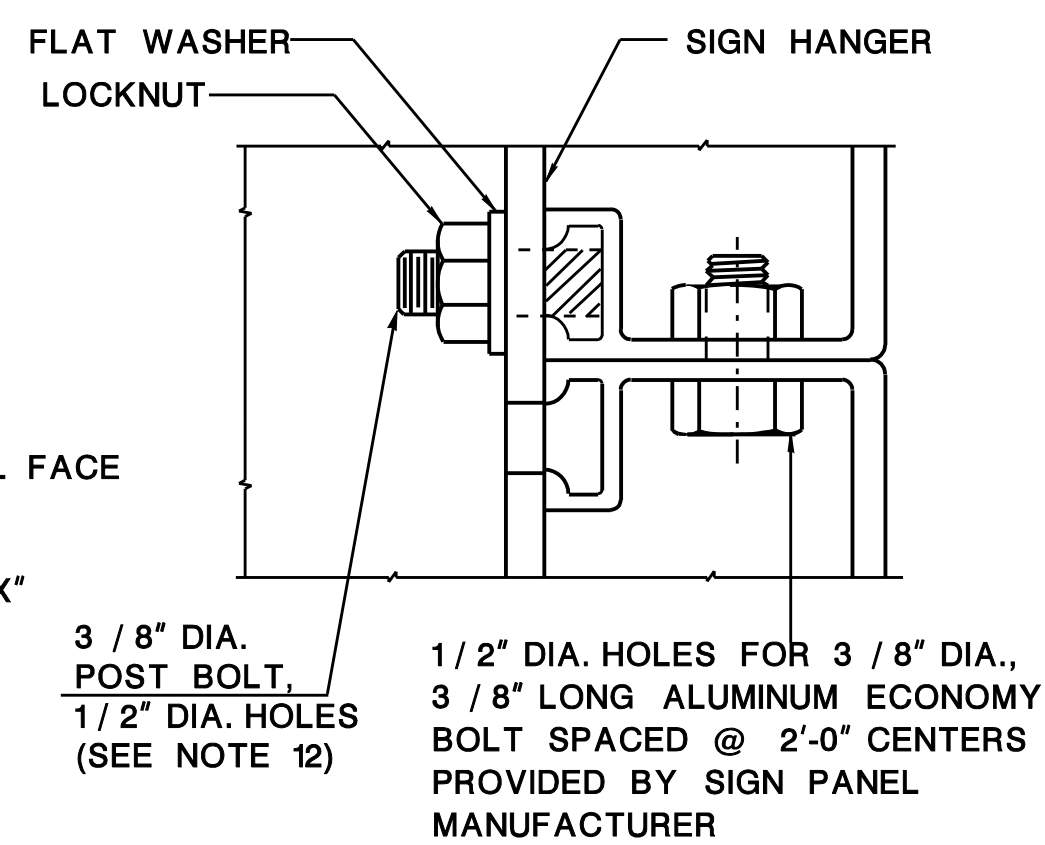
**EXIT PANEL CONNECTION DETAIL**



**POST BOLT**



**SIGN PANEL CONNECTION DETAIL**



**DETAIL "X"**

**NOTES**

- ALL ALUMINUM MATERIAL SHALL BE ALUMINUM ALLOY 6061-T6 UNLESS OTHERWISE NOTED.
- ALL BOLTS, U-BOLTS, WASHERS AND NUTS SHALL BE STAINLESS STEEL CONFORMING TO ASTM SPECIFICATION A320 GRADE B8, CLASS 1 AND ASTM A194. STAINLESS STEEL SHIM PLATES SHALL CONFORM TO ASTM SPECIFICATION A167, TYPE 304, OR AS NOTED.
- WELDING OF ALUMINUM SHALL BE AS SPECIFIED IN AWS D1.2 AND THE NJDOT STANDARD SPECIFICATIONS.
- SIGN PANEL HANGERS SHALL BE ALUMINUM OR GALVANIZED STEEL: ALUMINUM I-BEAM (DEPTH = 4", WEB AND FLANGE THICKNESS = 1/4", FLANGE WIDTH = 3 1/2"); STEEL I-BEAM (W6x9). SIGN HANGER SPACING DESIGNED FOR 15'-0" MAXIMUM SIGN PANEL HEIGHT.  
LIGHTING SYSTEM SUPPORTS SHALL BE ALUMINUM OR GALVANIZED STEEL. THE SUPPORT MEMBER SIZE, SPACING, CONNECTION AND INSTALLATION SHALL ADHERE TO THE WORKING DRAWINGS BASED ON THE COORDINATION OF THE SIGN SUPPORT STRUCTURE FABRICATOR, LIGHTING SYSTEM MANUFACTURER AND DESIGN ENGINEER.  
WHEN THE SIGN HANGER AND LIGHTING SYSTEM SUPPORTS ARE PLANNED TO BE GALVANIZED STEEL, STAINLESS STEEL OR GALVANIZED SHIM PLATES ARE NOT NECESSARY.
- SIGN HANGERS SHALL BE USED TO SUPPORT SIGN PANELS ONLY. THE SIGN LIGHTING SYSTEM SHALL BE INDEPENDENTLY SUPPORTED.
- THE THICKNESSES OF THE SHIM PLATES MAY BE MODIFIED TO AVOID INTERFERENCE BETWEEN THE CHORD SPLICE PLATES AND THE SIGN PANELS.
- LIGHTING SYSTEM SUPPORTS SHALL BE PROVIDED CONTINUOUSLY FOR THE ENTIRE SIGN DESIGN LENGTH UNLESS OTHERWISE SHOWN.
- LIGHTING SYSTEM SUPPORT HANGERS SHALL PROJECT 3" MIN. ABOVE THE TOP OF THE TOP CHORD AND SHALL NOT SUPPORT SIGN PANELS, UNLESS OTHERWISE NOTED.
- LENGTH OF SIGN HANGERS SHALL BE EQUAL TO THE SIGN PANEL HEIGHT. BEHIND AN EXIT PANEL, THE HANGERS SHALL BE EXTENDED TO THE TOP OF THE EXIT PANEL.
- EXIT PANEL CONNECTION DETAIL SHOWN SHALL ALSO BE USED FOR THE ATTACHMENT OF NEW EXIT PANELS TO EXISTING SIGN PANELS.
- SIGN PANELS SHALL NOT EXTEND MORE THAN 3'-0" BEYOND THE LAST SIGN HANGER.
- FRICITION TYPE CLIPS OR SIMILAR DEVICES ARE NOT PERMITTED.

**SIGN STRUCTURE DRG. OH-D9**  
 NEW JERSEY DEPARTMENT OF TRANSPORTATION  
 BUREAU OF STRUCTURAL ENGINEERING  
**OVERHEAD SIGN SUPPORT STRUCTURES  
 SIGN AND LIGHTING SYSTEM  
 SUPPORT DETAILS**  
 ROUTE: \_\_\_\_\_ SECTION \_\_\_\_\_

SCALE: NONE  
 BRIDGE SHEET NO. \_\_\_\_\_ OF \_\_\_\_\_

BD06D-02 - Notes Revision  
 BD07D-02 - ORIGINAL SHEET