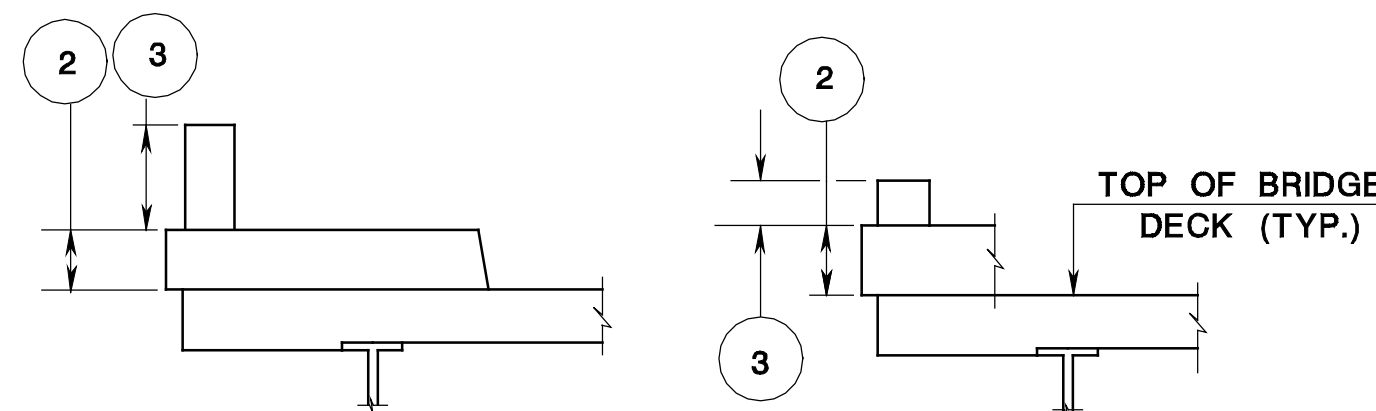
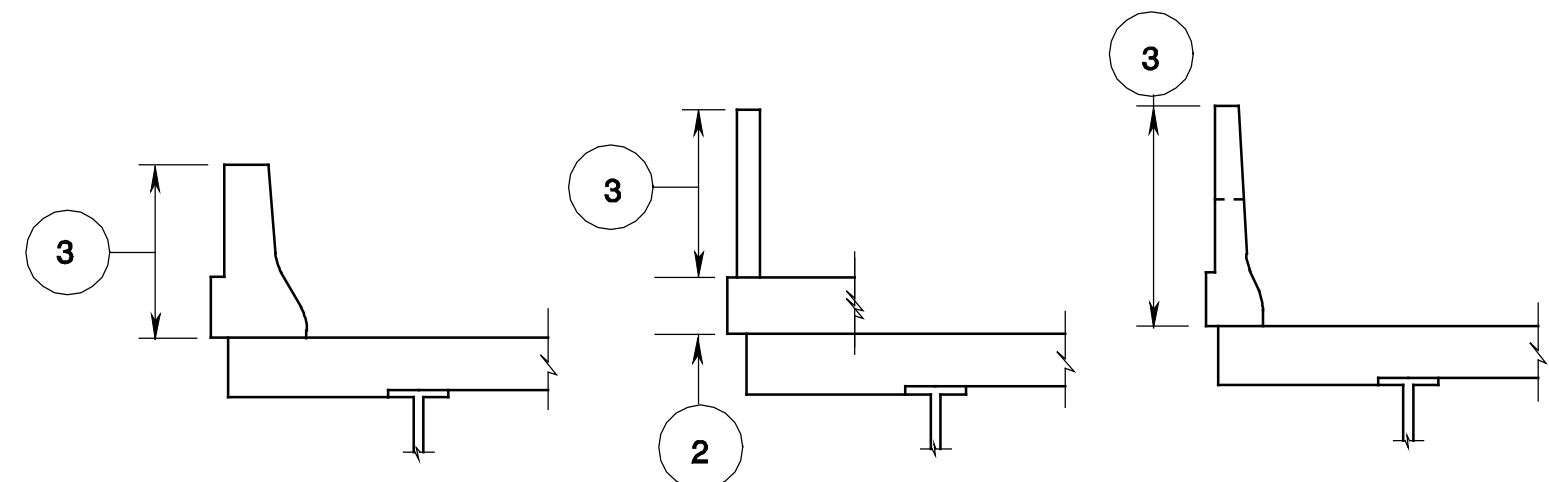


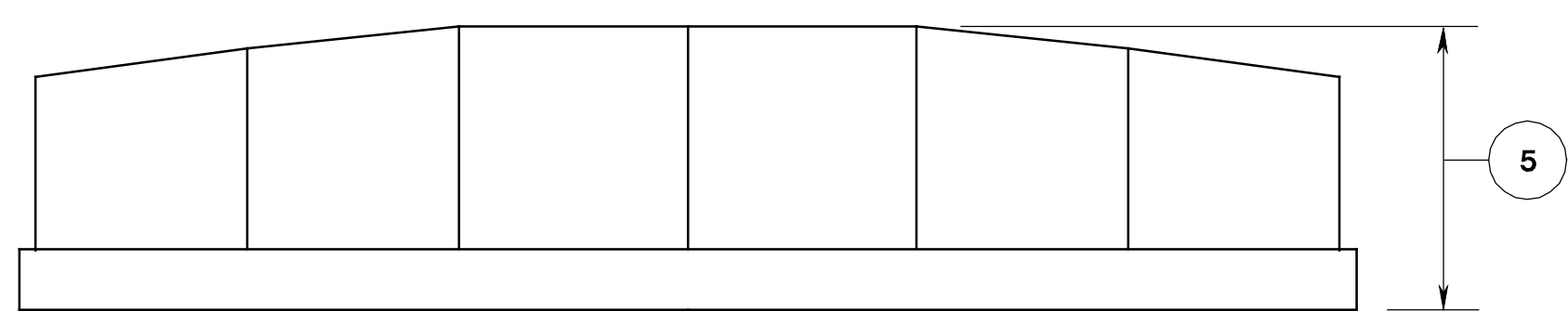
**TYPICAL SECTION - BRIDGE DECK**



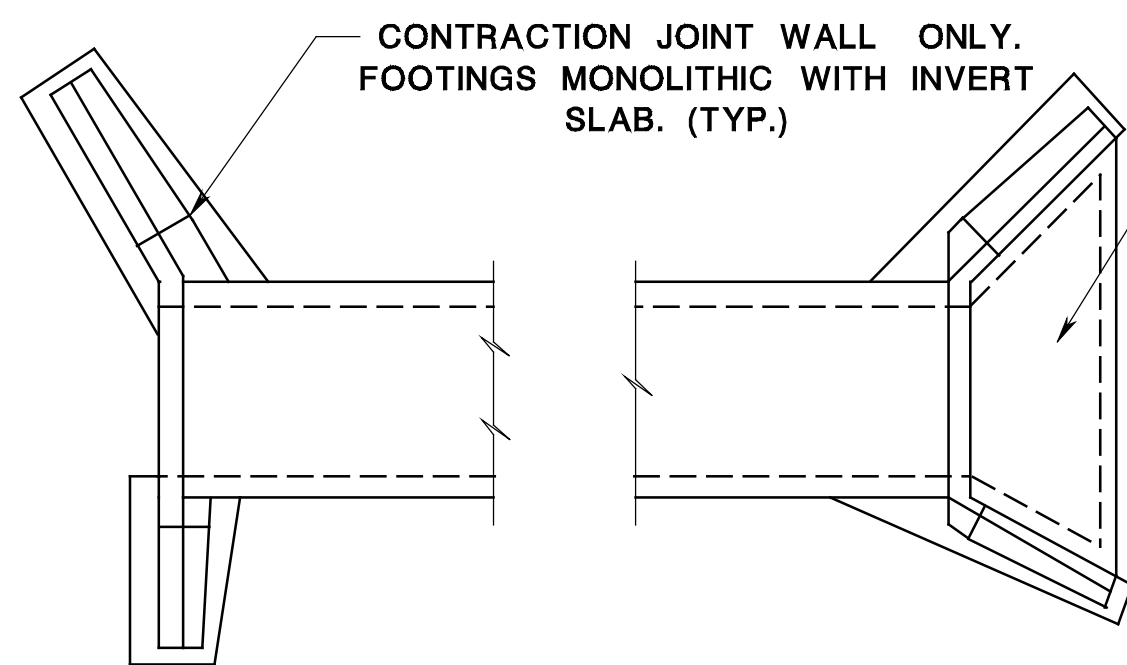
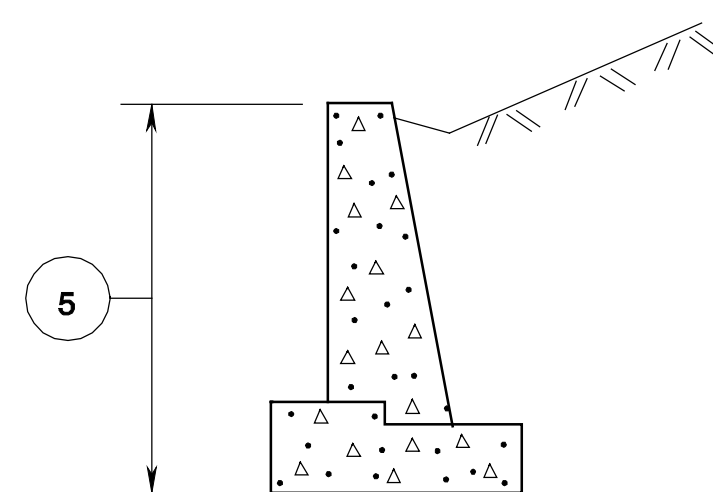
**TYPICAL SECTION - BRIDGE PARAPETS**



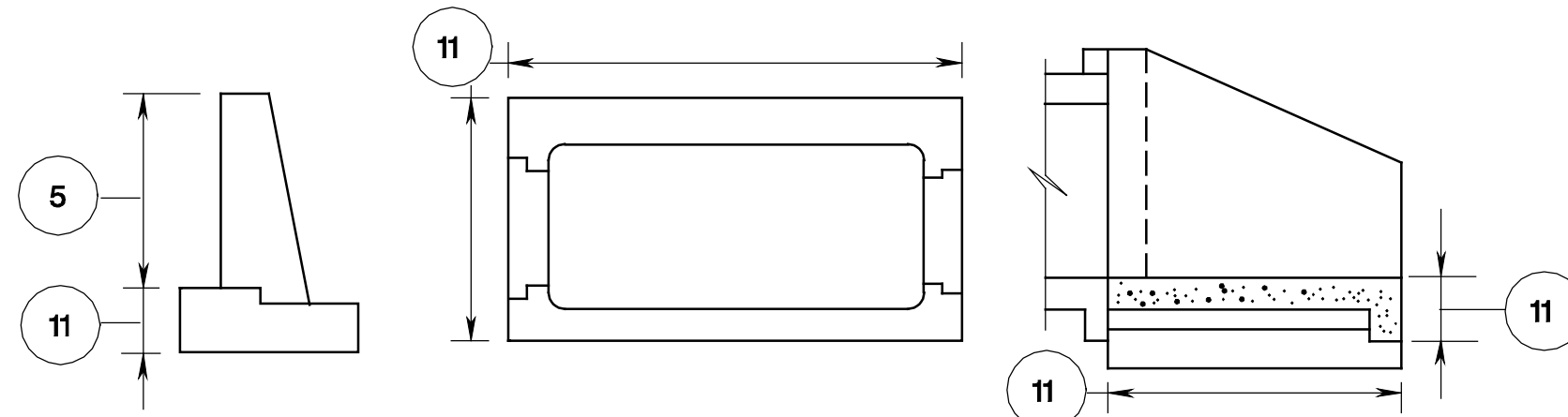
**TYPICAL ELEVATION - RETAINING WALL**



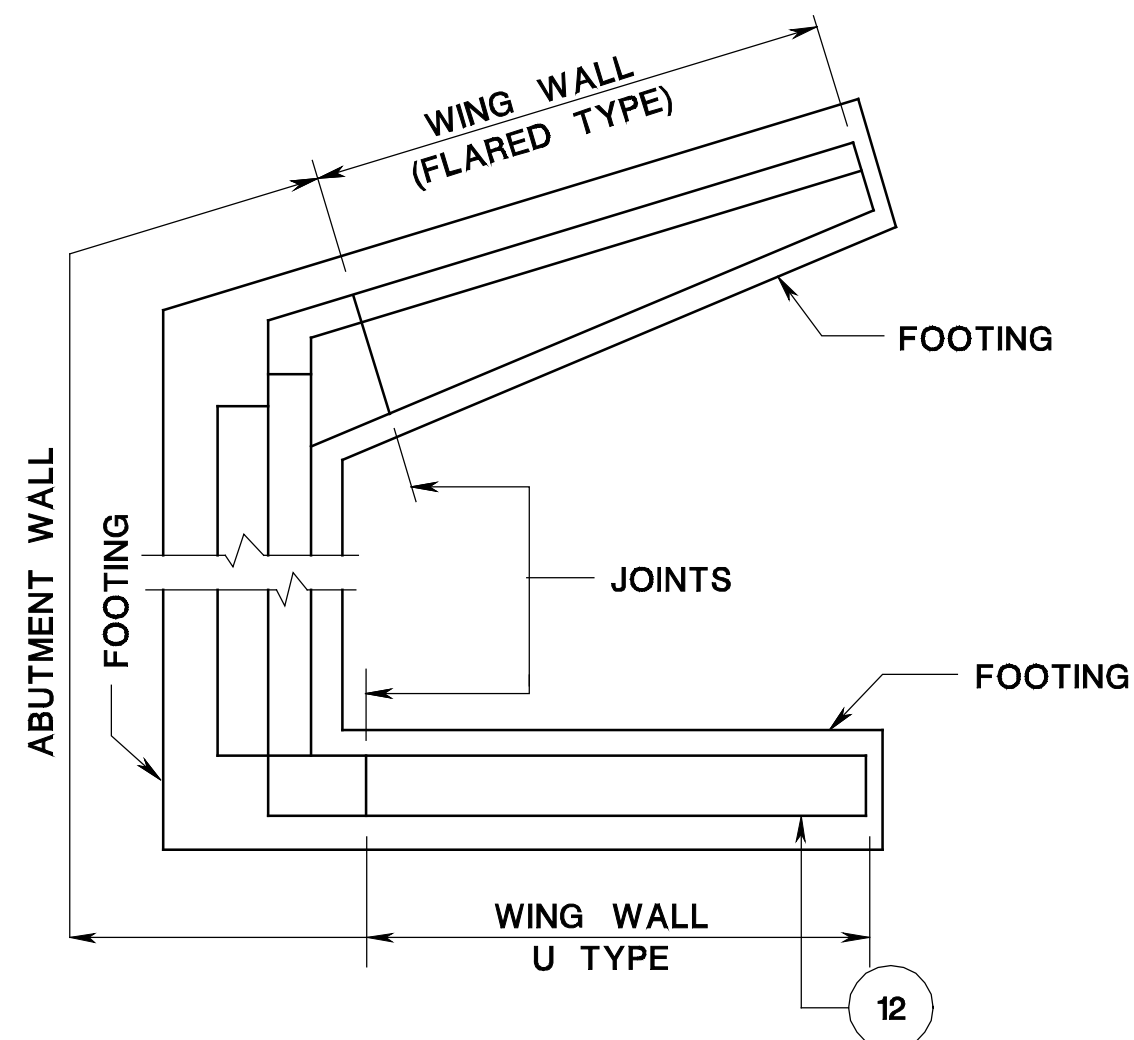
**TYPICAL SECTION - RETAINING WALL**



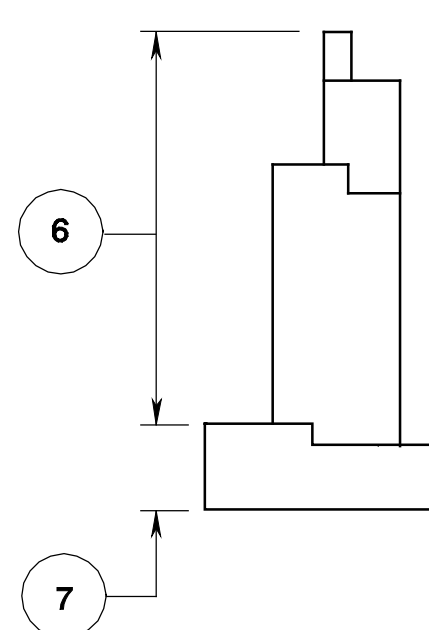
**TYPICAL PLAN - CULVERT AND HEADWALLS**



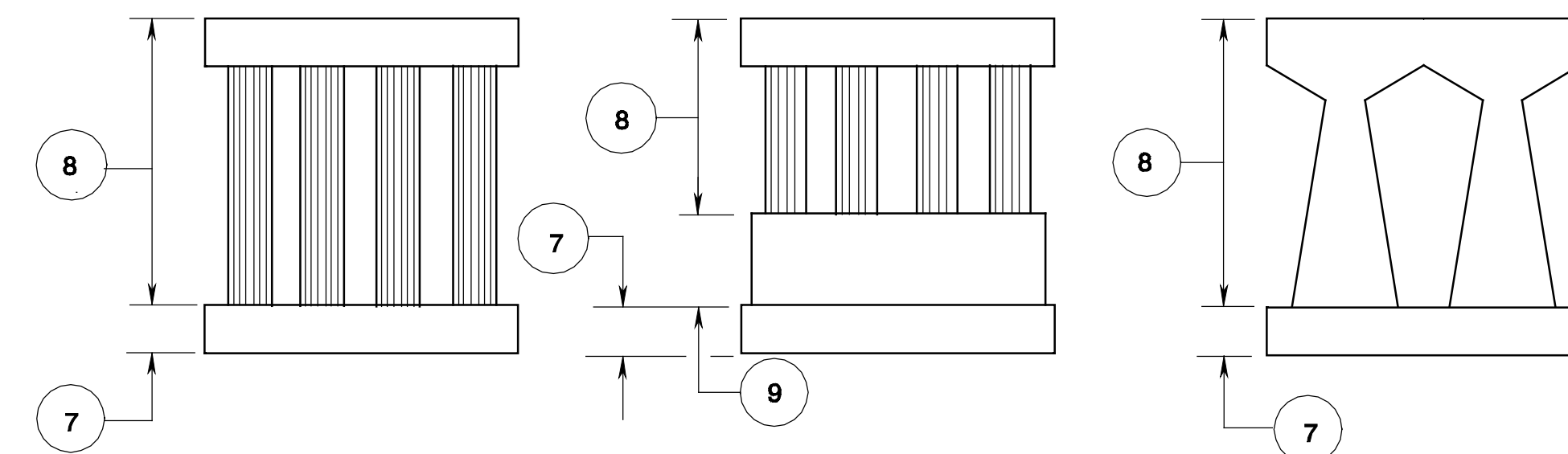
**TYPICAL SECTION - CULVERT AND HEADWALLS**



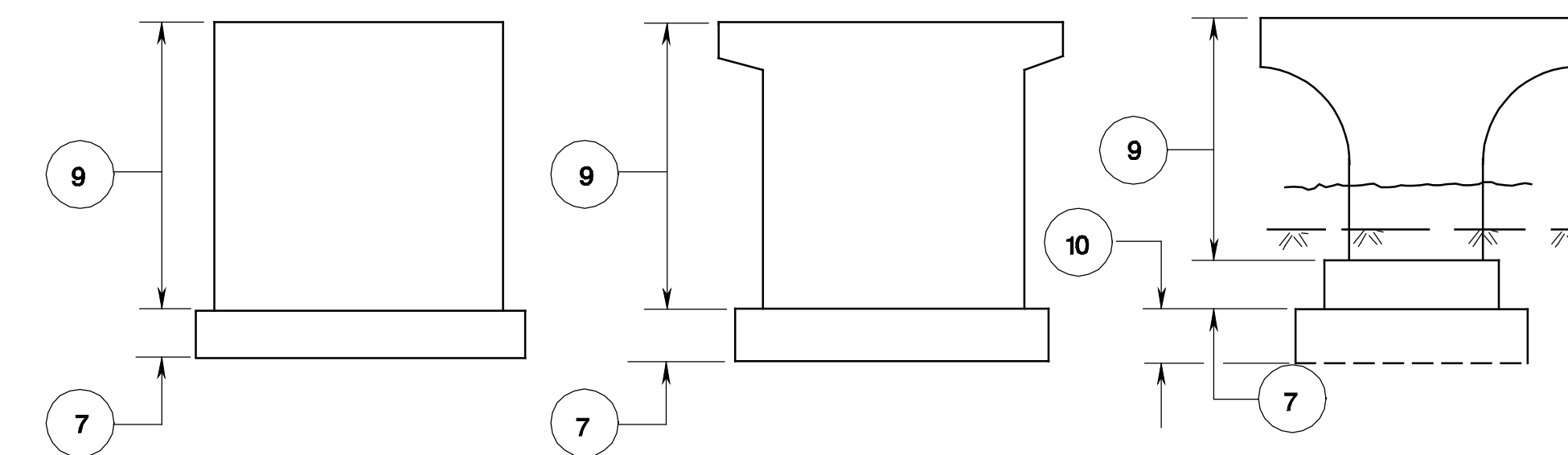
**TYPICAL PLAN - ABUTMENTS**



**TYPICAL SECTION**



**TYPICAL RIGID FRAME TYPE PIER - ELEVATIONS**



**TYPICAL SOLID SHAFT TYPE PIER - ELEVATIONS**

ITEM	CONCRETE CLASS	PAY ITEM	UNIT
1	A	CONCRETE DECK	C.Y.
2	A	CONCRETE BRIDGE SIDEWALK	C.Y.
3	A	CONCRETE BRIDGE PARAPET	L.F.
4	B	___" X ___" CONCRETE BARRIER CURB	L.F.
5	B	RETAINING WALL, LOCATION NO. _____	C.Y.
6	B	CONCRETE ABUTMENT WALL	C.Y.
7	B	CONCRETE FOOTING	C.Y.
8	A	CONCRETE PIER COLUMNS AND CAP	C.Y.
9	B	CONCRETE PIER SHAFT	C.Y.
10	B	PERMAMENT COFFERDAM	C.Y.
11	A	PRECAST CONCRETE CULVERT	C.Y.
12	B	CONCRETE WINGWALL	C.Y.

**CONCRETE CLASSES AND PAY ITEMS**

N.T.S.

NEW JERSEY DEPARTMENT OF TRANSPORTATION  
BUREAU OF STRUCTURAL ENGINEERING

**BRIDGE CONSTRUCTION DETAILS**

BCD-504-1