

**HAYBALE CHECK DAM WITH TEMPORARY STONE OUTLET**

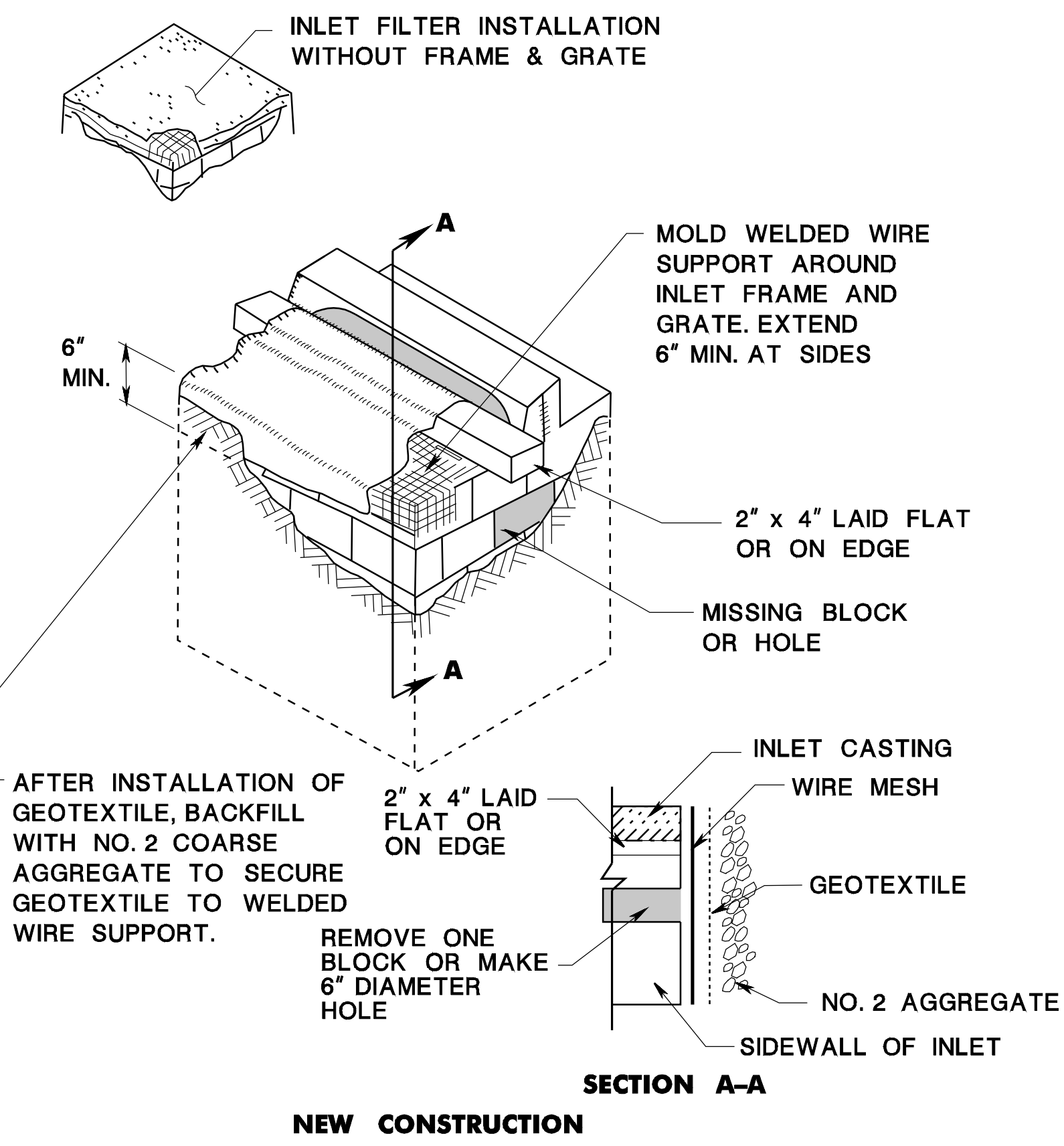
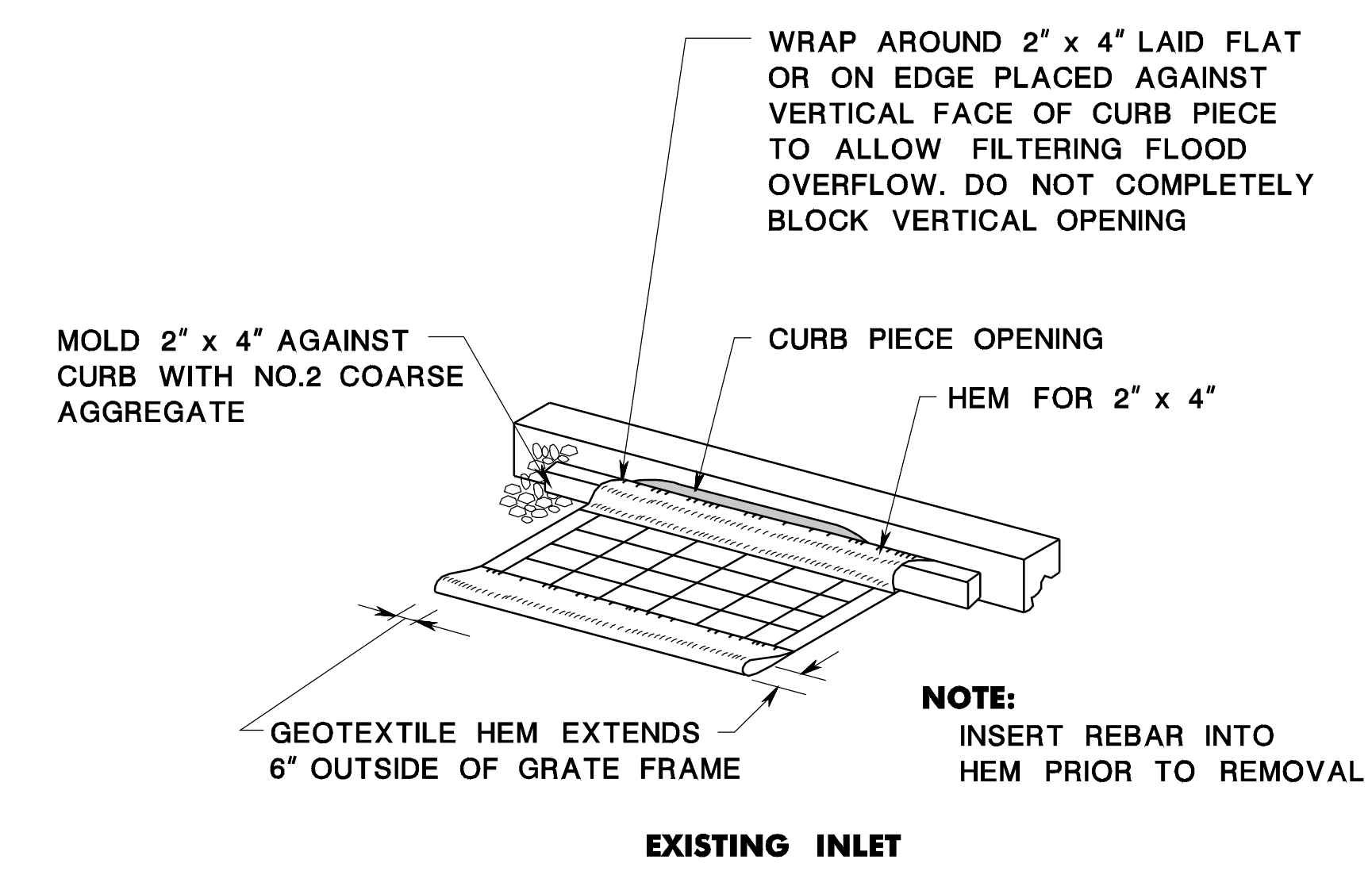
CD-158-2.1

**STONE CHECK DAM**

CD-158-2.2

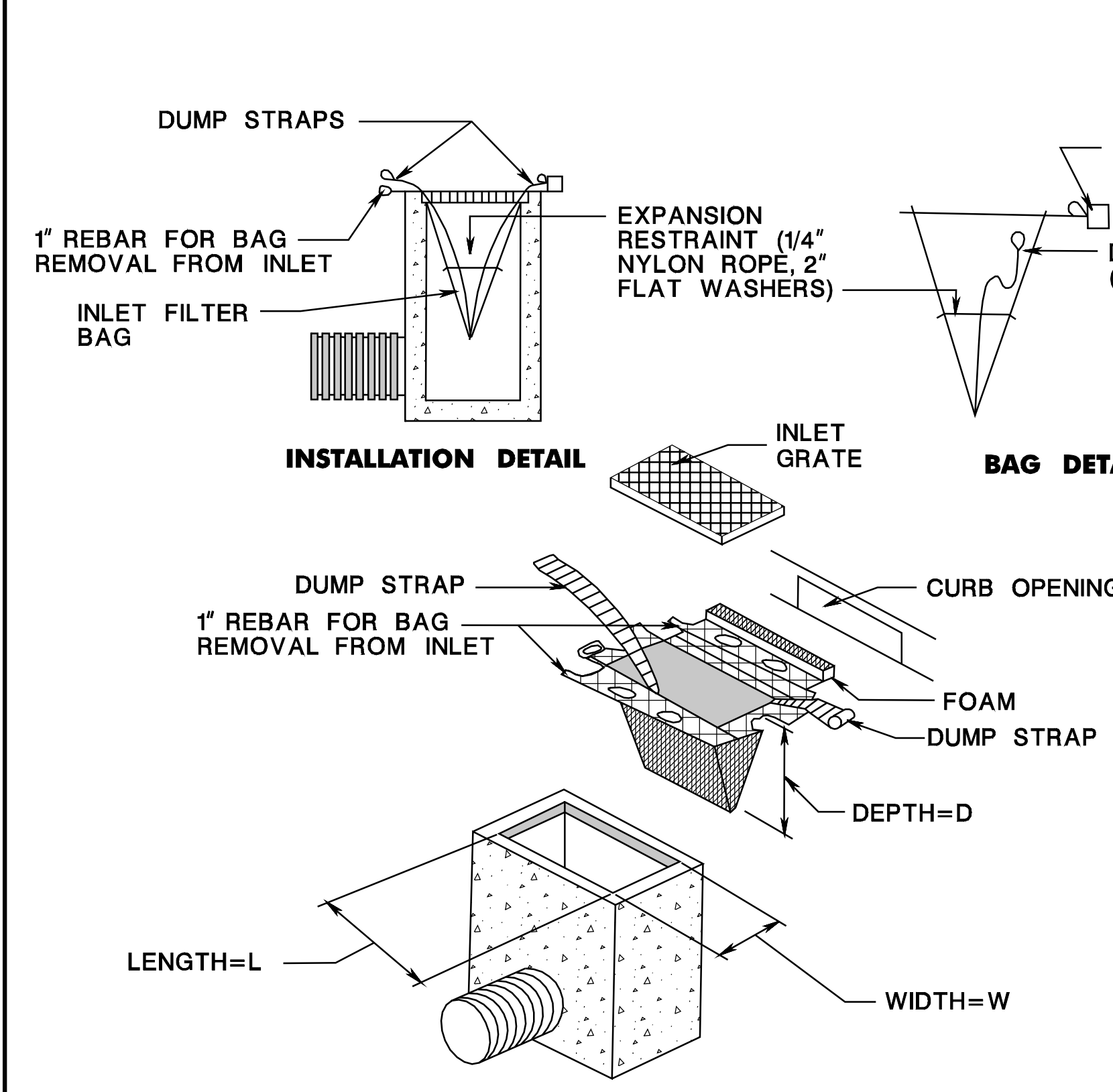
**SLOPE DRAIN**

CD-158-2.3



**INLET FILTERS, TYPE 1**

CD-158-2.4



**INLET FILTERS, TYPE 2**

CD-158-2.5

**SOIL EROSION AND SEDIMENT CONTROL MEASURES**

N.T.S.

CD-158-2

NEW JERSEY DEPARTMENT OF TRANSPORTATION

**CONSTRUCTION DETAILS**

pen table= \\Njdotp\pws\vsystem\Njdotp\pws\Projects\Njdotp\Eng\Plot\TBLs\Roadway\basic.tbl  
scale= 30.0000000:1.0000000  
date= 17-DEC-2007 09:37  
ID= TPXBHAY  
BDC0703-ORIGINAL SHEET  
file=