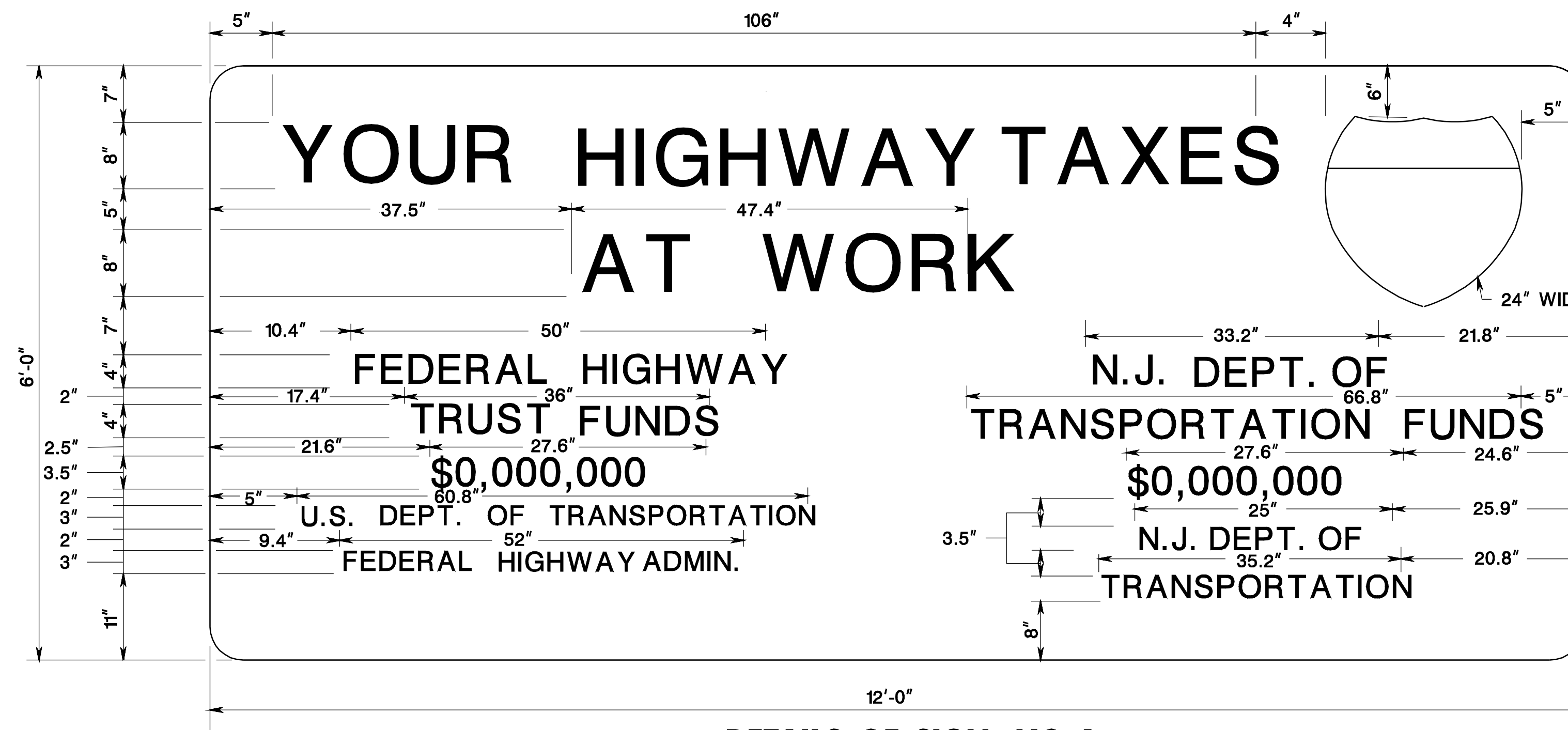
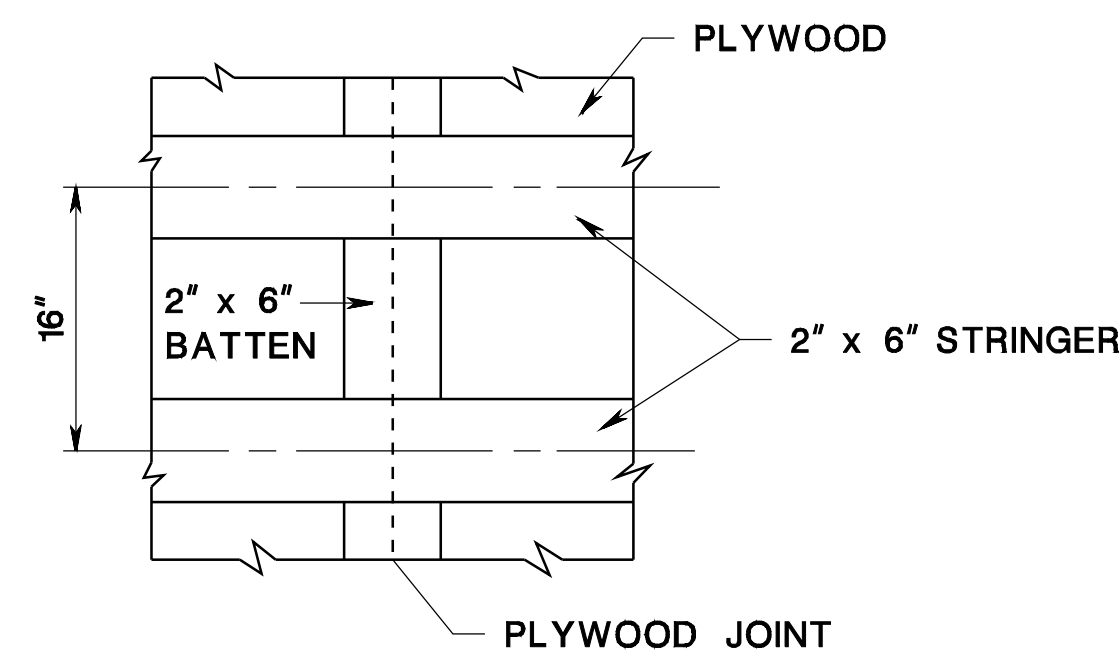
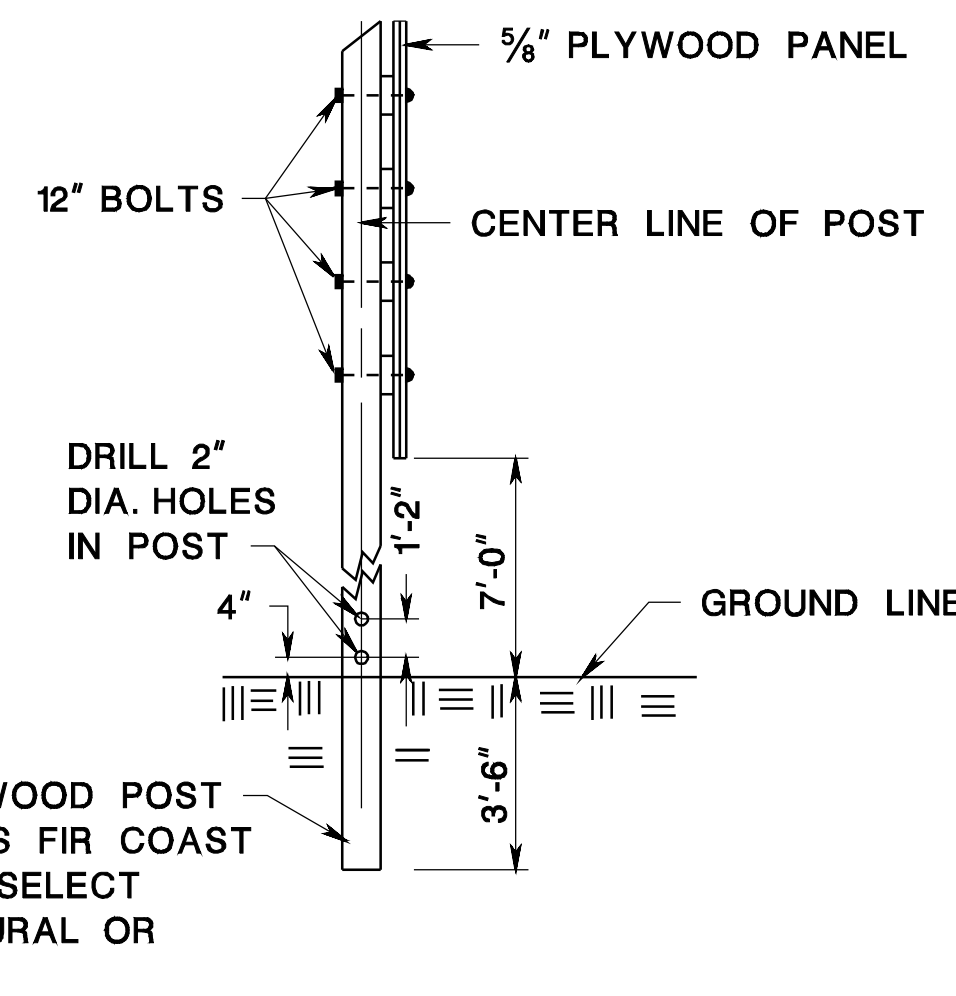
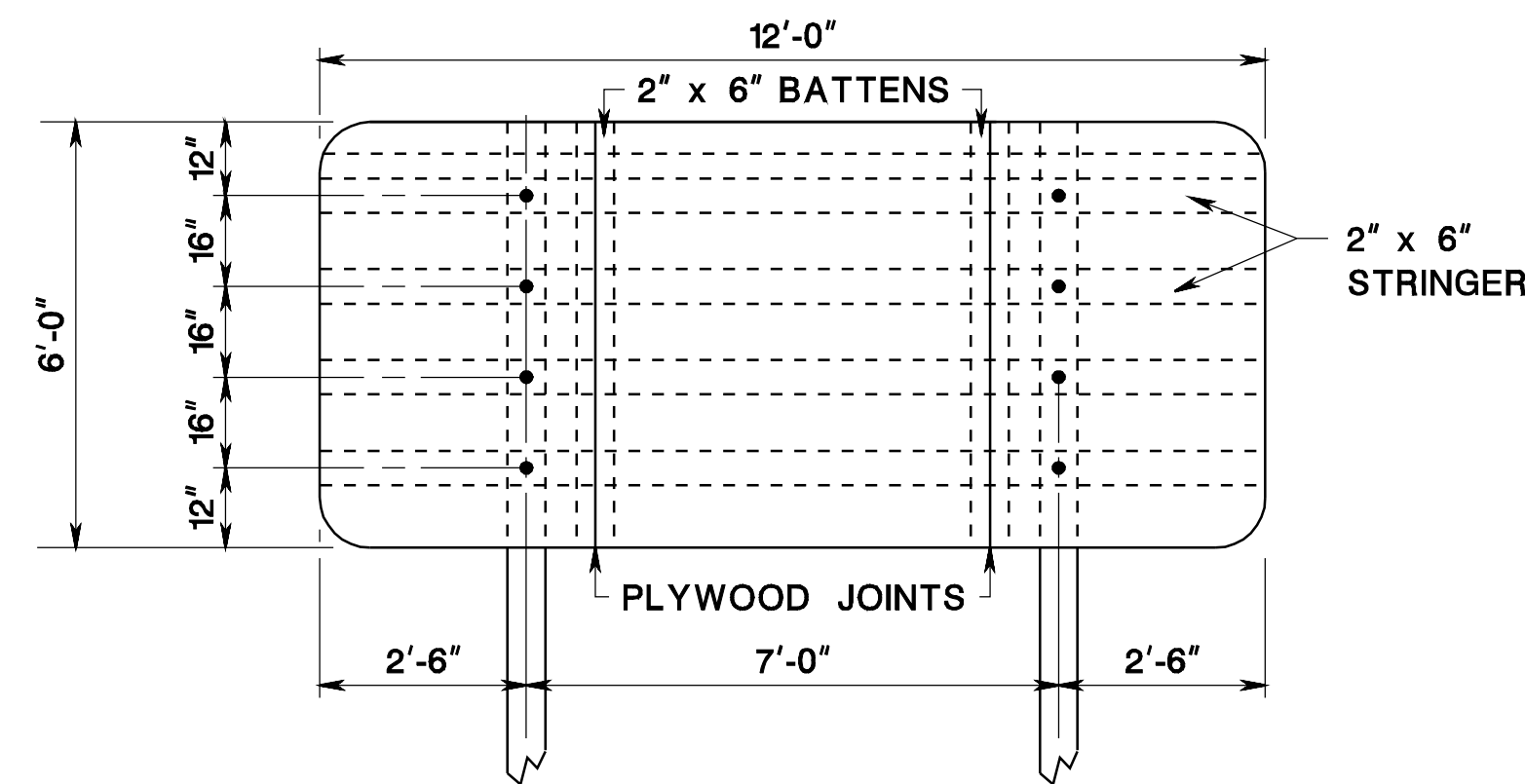


**SIGN NO. 1 (INTERSTATE)**



**DETAILS OF SIGN NO. 1**



**DETAIL OF BATTEN AT PLYWOOD JOINTS  
SIGN NO. 1**

**NOTES:**

PLYWOOD PANELS SHALL CONFORM TO REQUIREMENTS FOR HIGH DENSITY OVERLAY AS SET FORTH IN COMMERCIAL STANDARD CS 45-60 FOR DOUGLAS FIR PLYWOOD AND ALL AMENDMENTS THERETO.

COSTS LISTED ON SIGNS TO BE FURNISHED BY THE DEPARTMENT AFTER AWARD OF CONTRACT.

SIGNS TO BE LOCATED AS SHOWN ON PLANS OR AS DIRECTED BY THE R.E..

SHIELD TO COMFORM TO DETAILS SHOWN IN THE CURRENT "MANUAL ON UNIFORM TRAFFIC CONTROL DEVICES".

COLOR: GREEN BACKGROUND WITH WHITE MESSAGE AND BORDER NOT REFLECTORIZED.

LEGEND: SERIES "C" LETTERS - "YOUR HIGHWAY TAXES AT WORK"  
SERIES "D" LETTERS (BALANCE OF LETTERING).

CORNER RADIUS: 3"

INTERSTATE SHIELD: RED, WHITE, AND BLUE

**NOTE:**

ON PROJECTS WITH NO FEDERAL FUNDING THE REFERENCE

FEDERAL HIGHWAY TRUST FUNDS  
\$0,000,000  
U.S. DEPT. OF TRANSPORTATION  
FEDERAL HIGHWAY ADMIN.

SHALL NOT BE INCLUDED ON THE SIGN.

**INTERSTATE CONSTRUCTION IDENTification SIGN**

N.T.S.

CD-159-8

NEW JERSEY DEPARTMENT OF TRANSPORTATION

**CONSTRUCTION DETAILS**

CD-159-8.1