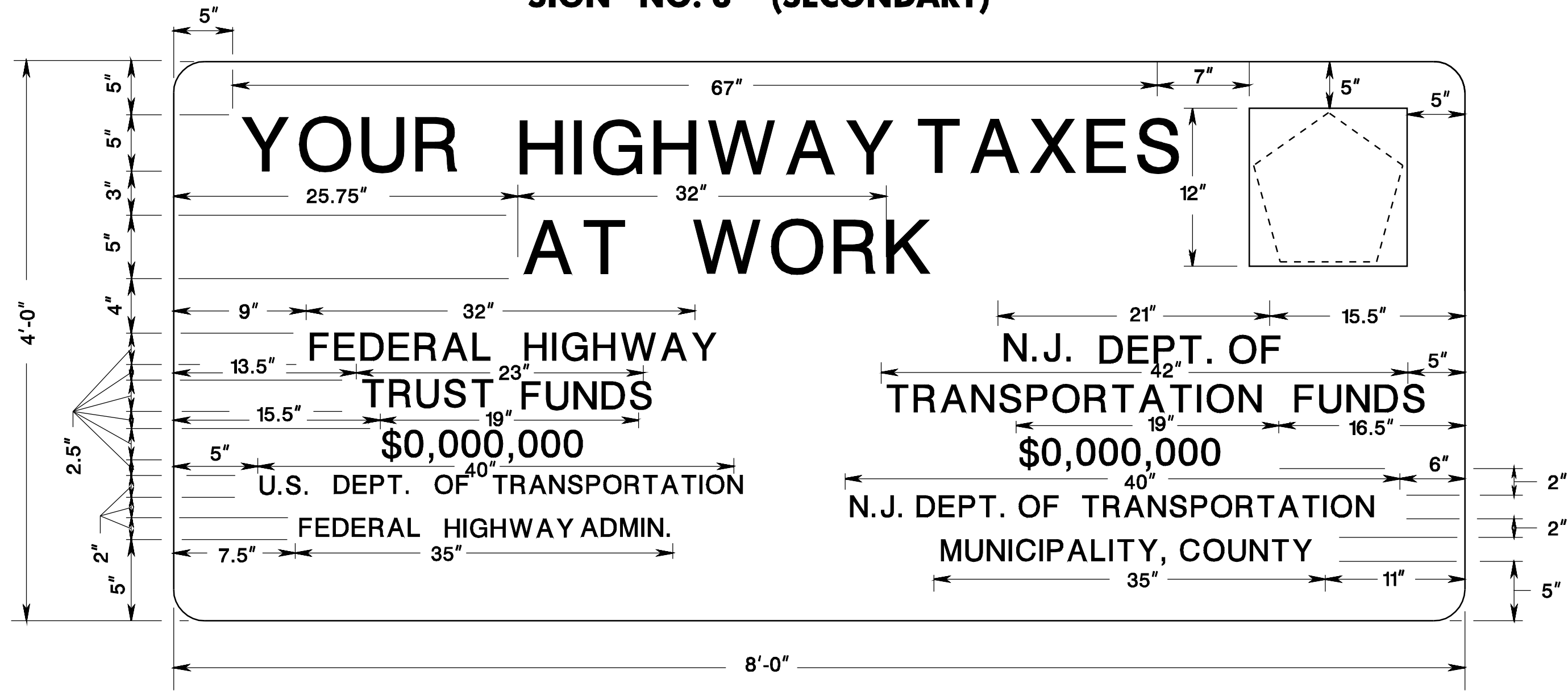


pen table= \\Njdotprjws\vsystem\Njdotrws\Projects\NjdotEng\Plot\TBLa\Roadway\basic.tbl  
 scale= 30.000000;1.000000  
 date= 17-DEC-2007 09:39  
 ID= TPXBHAY  
 BDC0703-ORIGINAL SHEET  
 file=

**SIGN NO. 3 (SECONDARY)**

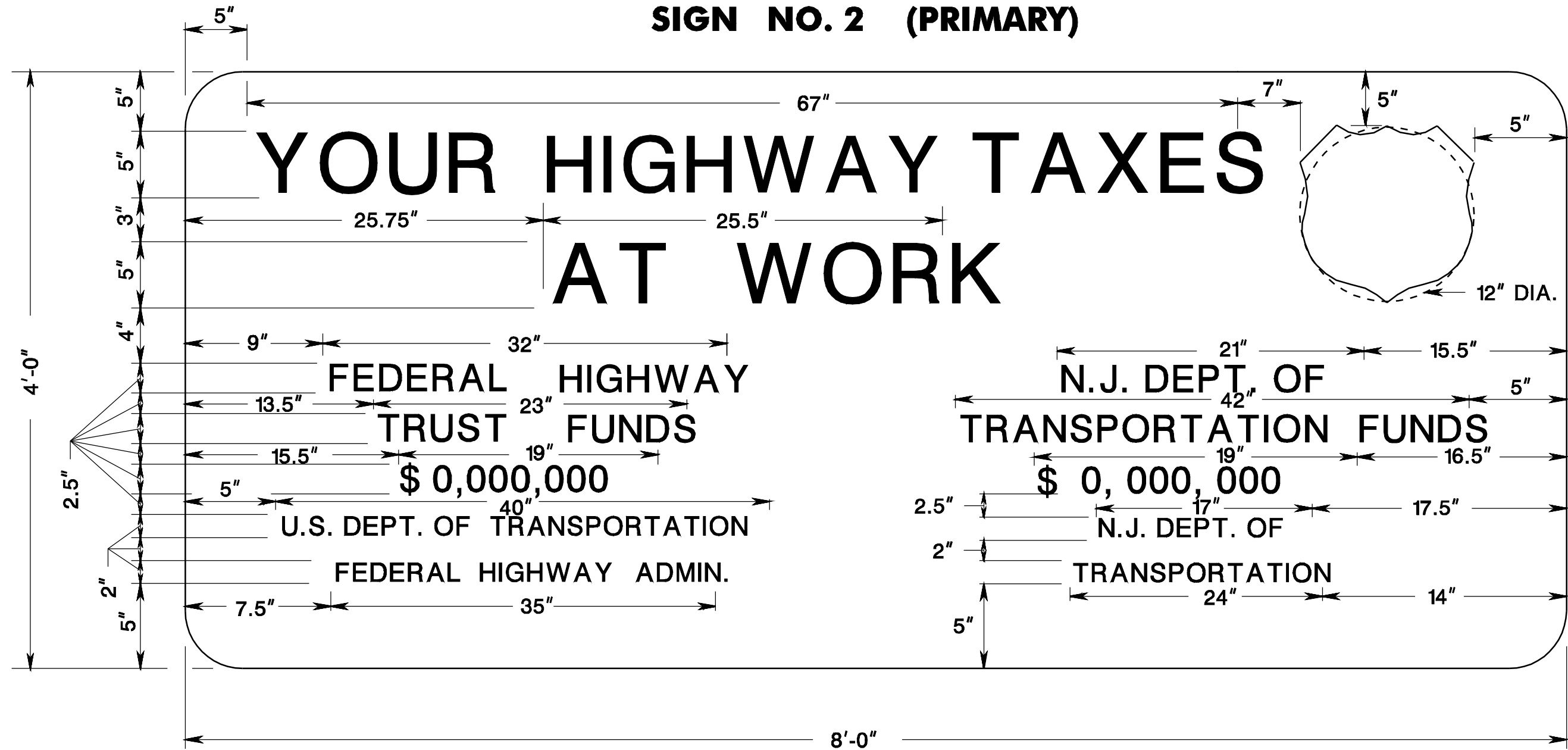


**NOTE:**  
 PENTAGON INSIGNIA TO BE USED  
 WHEN POSTING COUNTY ROUTES.

**NOTES:**

- PLYWOOD PANELS SHALL COMFORM TO REQUIREMENTS FOR HIGH DENSITY OVERLAY AS SET FORTH IN COMMERCIAL STANDARD CS 45-60 FOR DOUGLAS FIR PLYWOOD AND ALL AMENDMENTS THERETO.
- COSTS LISTED ON SIGNS TO BE FURNISHED BY DEPARTMENT AFTER AWARD OF CONTRACT.
- SIGNS TO BE LOCATED AS SHOWN ON PLANS OR AS DIRECTED BY THE R.E..
- SHIELD TO COMFORM TO DETAILS SHOWN IN THE CURRENT "MANUAL ON UNIFORM TRAFFIC CONTROL DEVICES".
- COLOR: GREEN BACKGROUND WITH WHITE MESSAGE AND BORDER NOT REFLECTORIZED.
- LEGEND: SERIES "C" LETTERS - "YOUR HIGHWAY TAXES AT WORK"  
 SERIES "D" LETTERS (BALANCE OF LETTERING).
- CORNER RADIUS: 3"
- INTERSTATE SHIELD: RED, WHITE, AND BLUE
- U.S. AND STATE SHIELDS: BLACK ON WHITE
- COUNTY SHIELDS: GOLD ON BLUE

**SIGN NO. 2 (PRIMARY)**

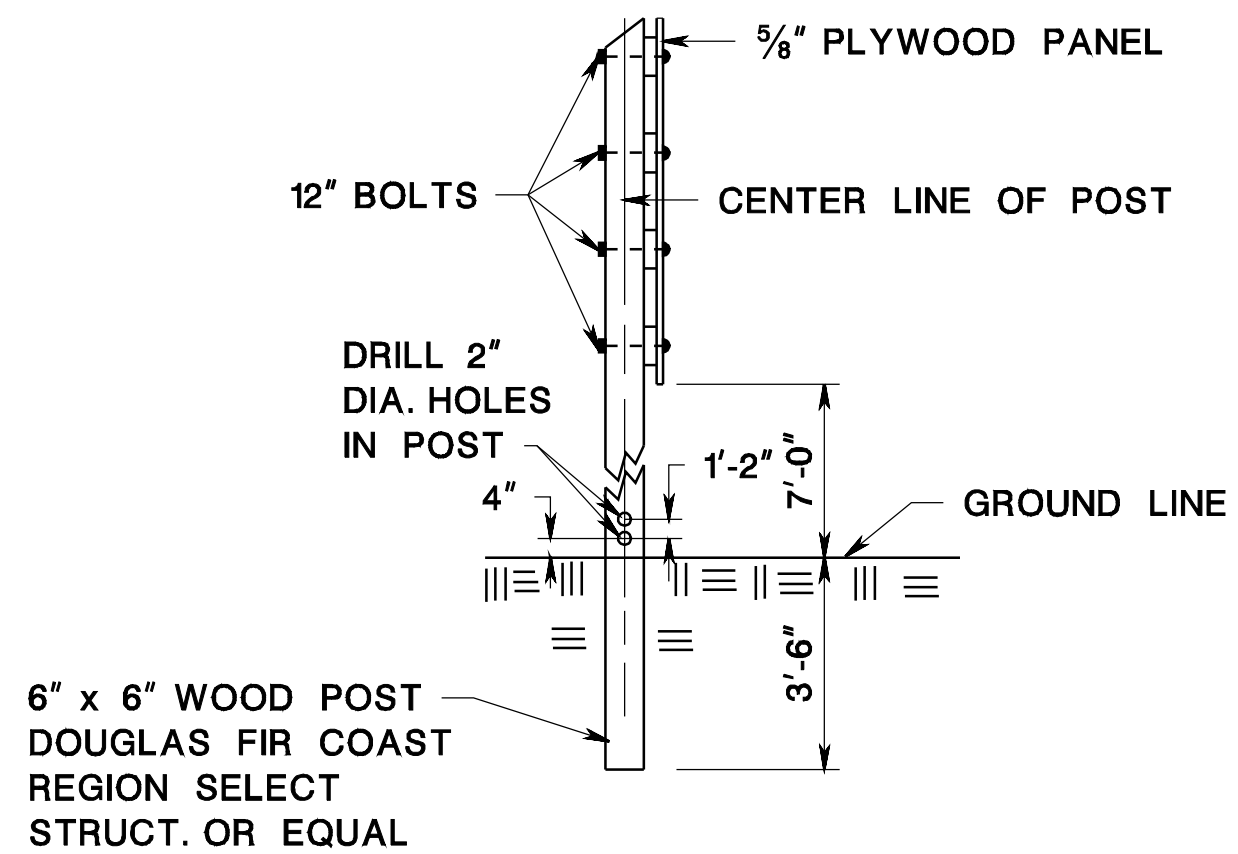
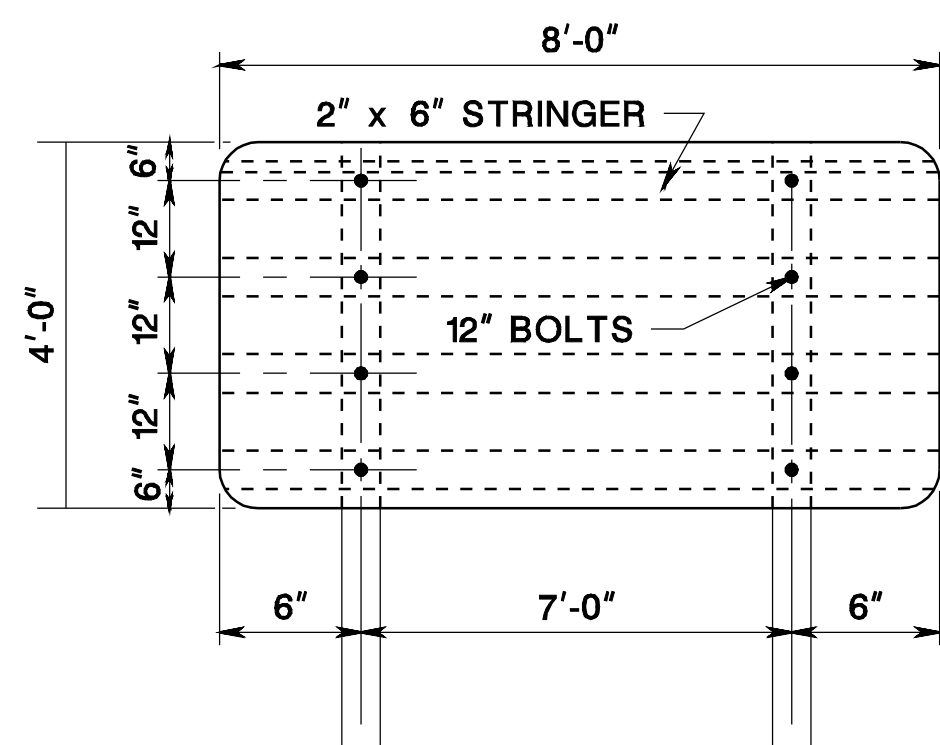


**NOTE:**  
 SHIELD INSIGNIA TO BE USED WHEN  
 POSTING U. S. ROUTES.  
 CIRCLE INSIGNIA TO BE USED WHEN  
 POSTING STATE ROUTES.

**NOTE:**

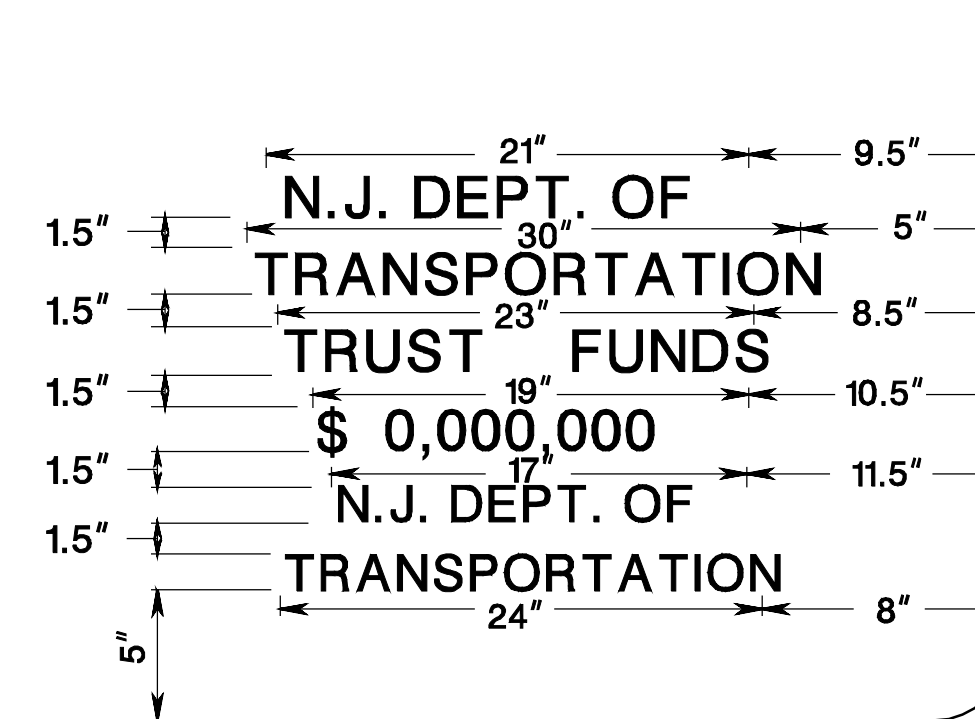
- ON PROJECTS WITH NO FEDERAL FUNDING THE REFERENCE
- FEDERAL HIGHWAY TRUST FUNDS  
 \$0,000,000  
 U.S. DEPT. OF TRANSPORTATION  
 FEDERAL HIGHWAY ADMIN.
- SHALL NOT BE INCLUDED ON THE SIGN.

**DETAILS OF SIGNS NO. 2 & 3**



**NOTE:**

USE MODIFIED DETAIL BELOW WHEN  
 NJDOT TRUST FUNDS ARE APPLICABLE  
 FOR SIGNS #2 AND #3 (LOWER RIGHT  
 HAND CORNER OF SIGNS).



**CONSTRUCTION IDENTIFICATION SIGNS**

N.T.S.

NEW JERSEY DEPARTMENT OF TRANSPORTATION

**CONSTRUCTION DETAILS**

CD-159-9

CD-159-9.1