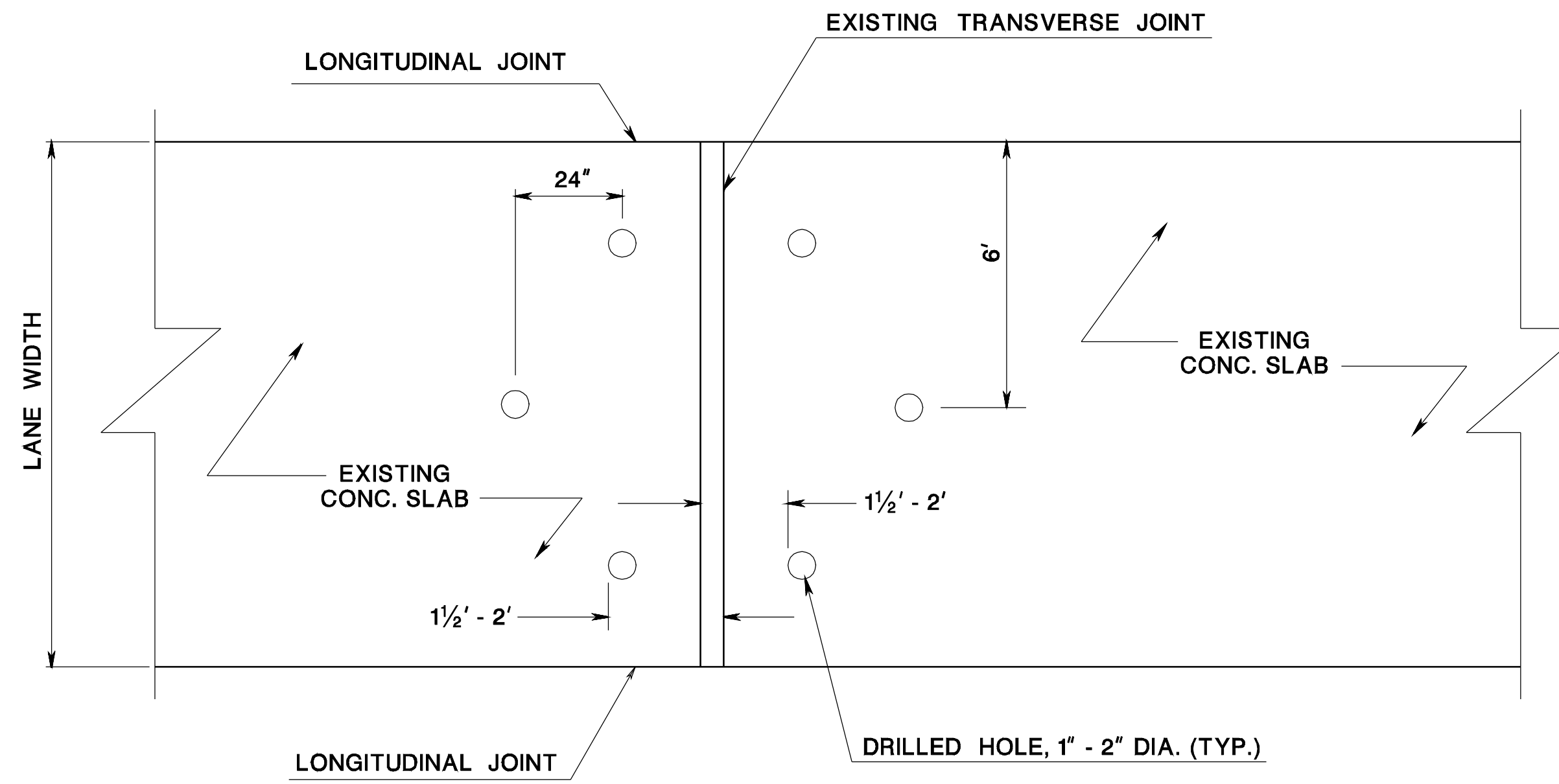
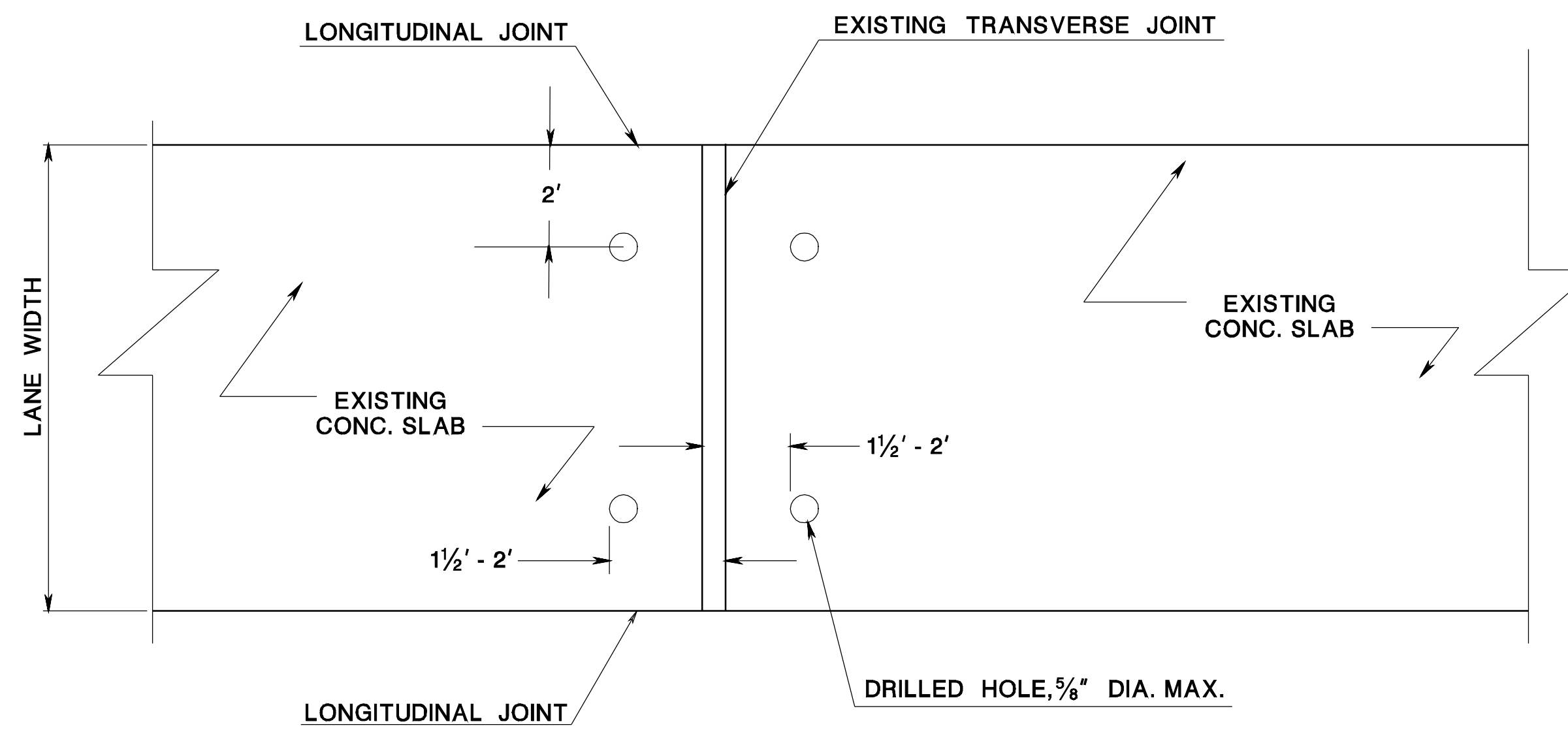


pen table= \\njdotprjws\vsystem\NJDOTWS\Projects\NJDOTEng\Plot\TBLs\Roadway\basic.tbl  
scale=30.000000:1.000000  
date=17-DEC-2007 09:41  
ID=TPXBHAY

BDC07D5-ORIGINAL SHEET



**TYPICAL HOLE PATTERN  
USED FOR SLAB STABILIZATION, POZZOLAN GROUT**



**SLAB STABILIZATION, POLYURETHANE GROUT**

**SLAB STABILIZATION**

N.T.S.

CD-451-1

NEW JERSEY DEPARTMENT OF TRANSPORTATION

**CONSTRUCTION DETAILS**

CD-451-1