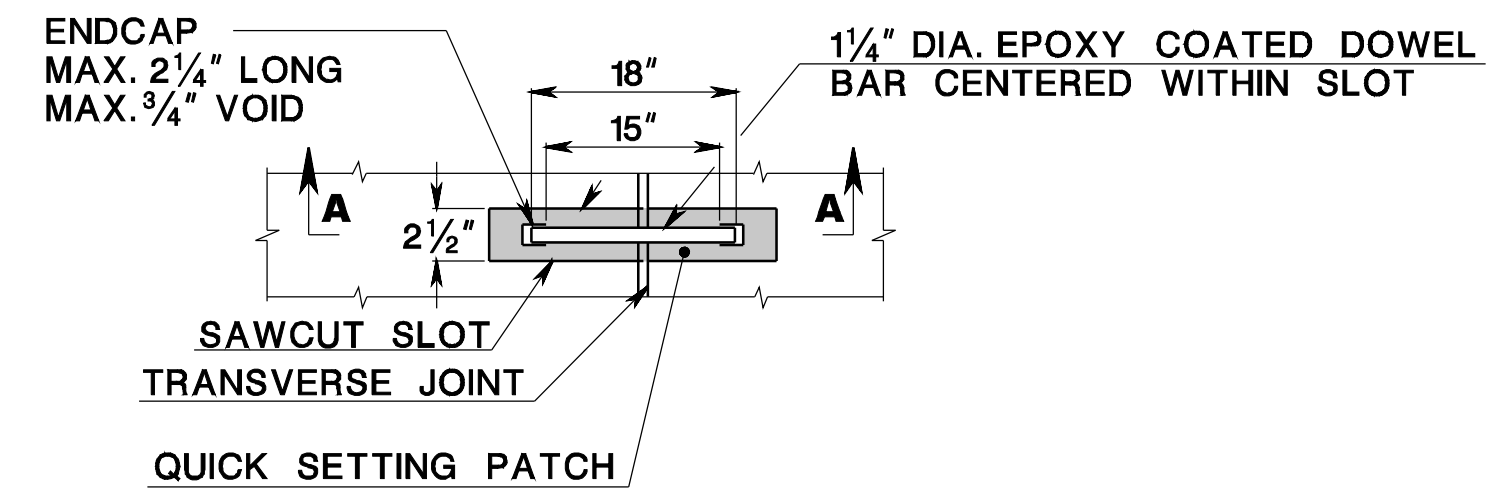
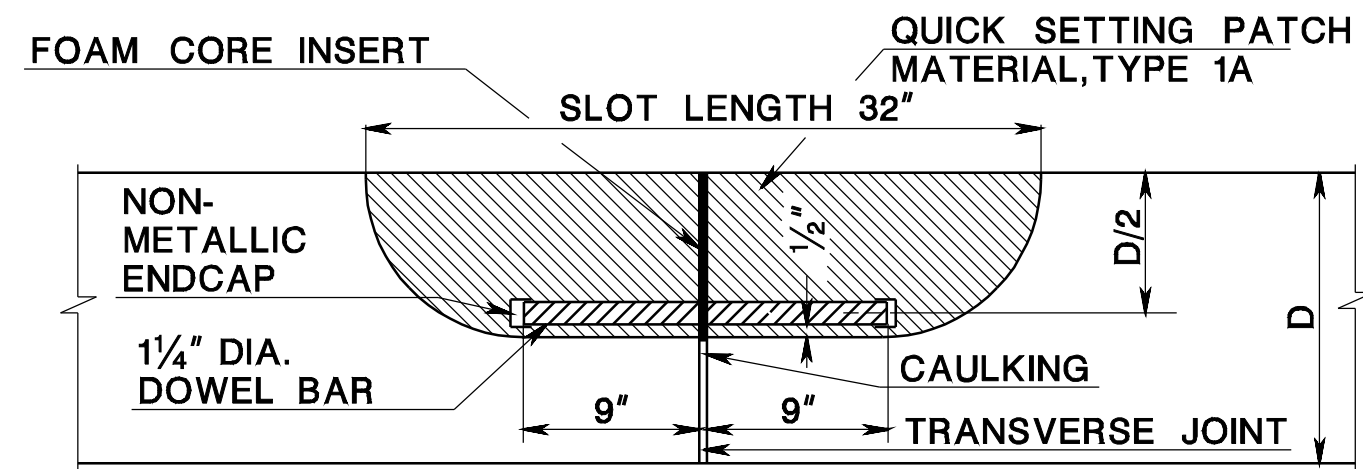


**PLAN**



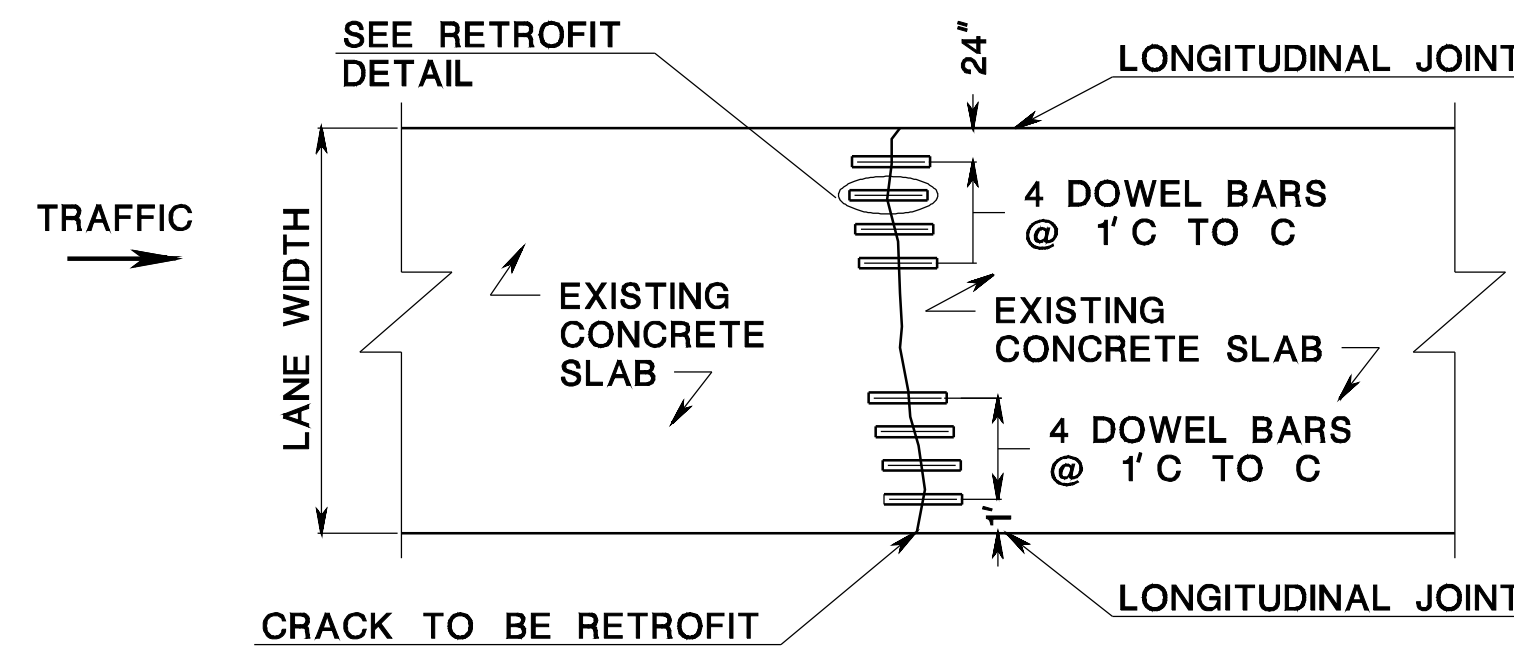
**DOWEL BAR DETAIL**



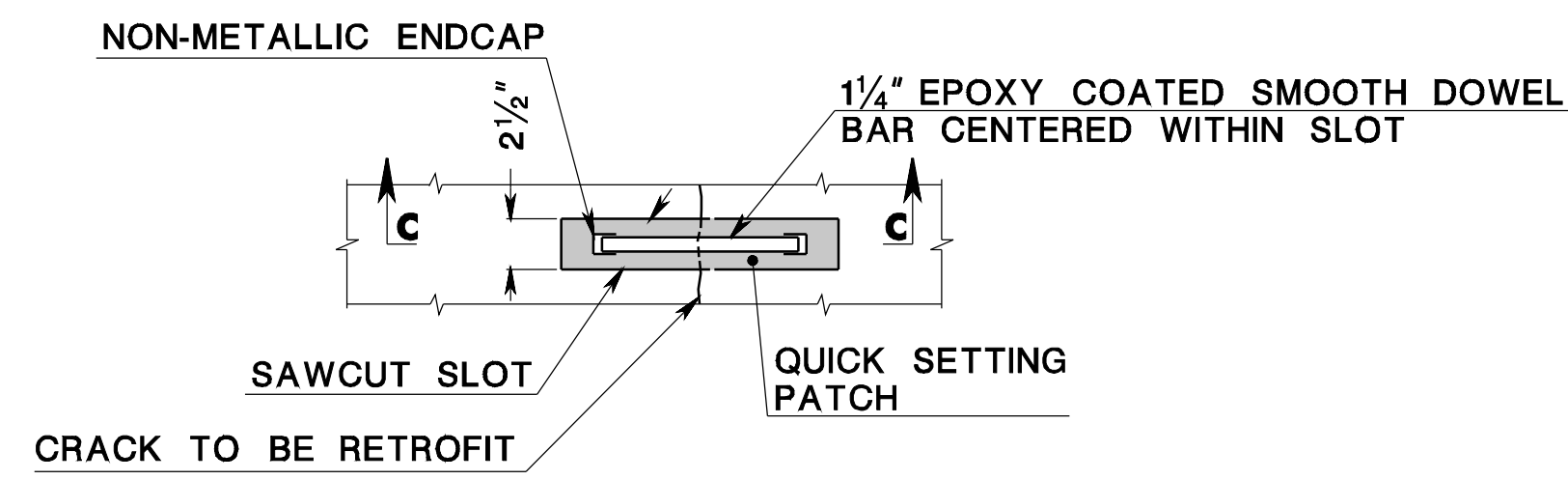
**SECTION B-B**

**RETROFIT DOWEL BARS AT EXISTING JOINT**

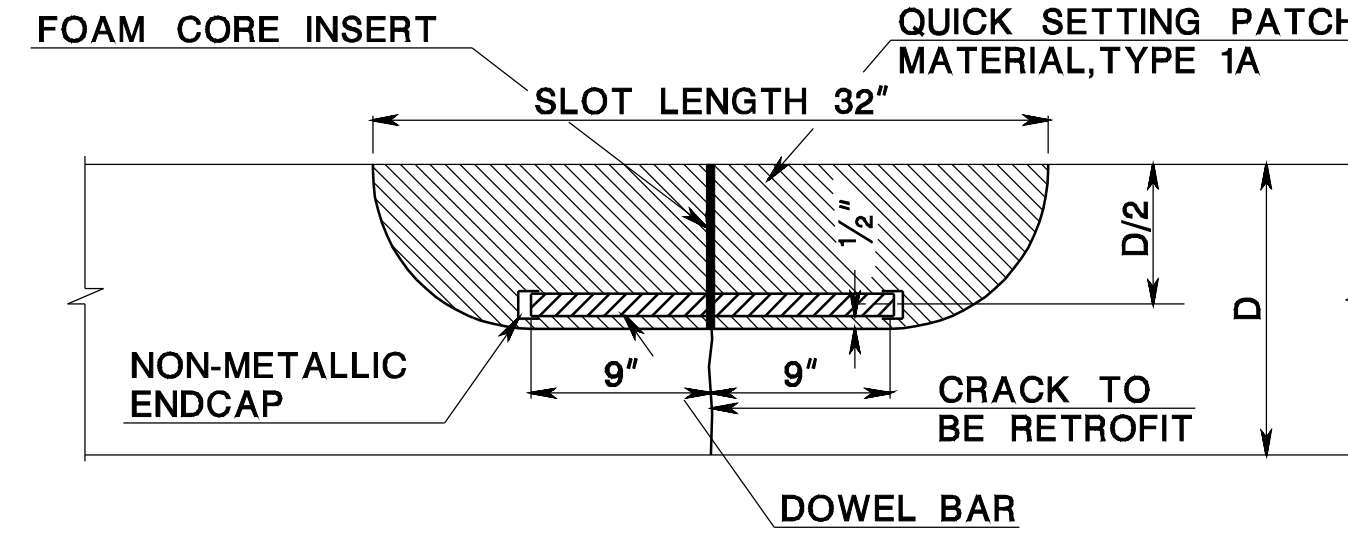
CD-454-1.1



**PLAN**



**DOWEL BAR DETAIL**



**SECTION C-C**

**RETROFIT DOWEL BARS AT PAVEMENT CRACK**

CD-454-1.2

**RETROFIT DOWEL BARS**

N.T.S.

CD-454-1

NEW JERSEY DEPARTMENT OF TRANSPORTATION

**CONSTRUCTION DETAILS**