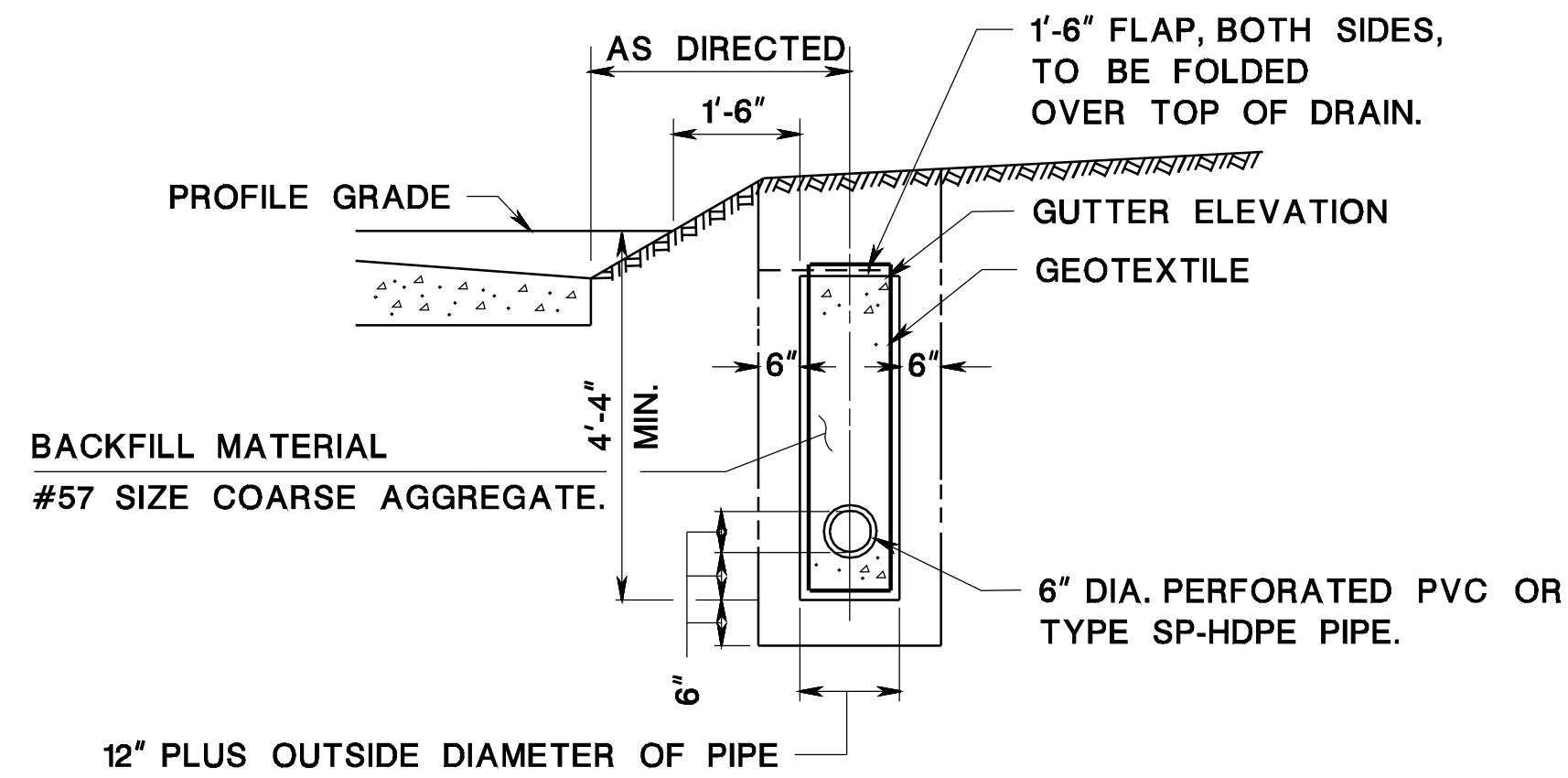


NOTES:

UNDERDRAIN IS SHOWN PARALLEL TO THE EDGE OF PAVEMENT, BUT MAY BE USED IN OTHER LOCATIONS IF SO DIRECTED BY THE R.E..



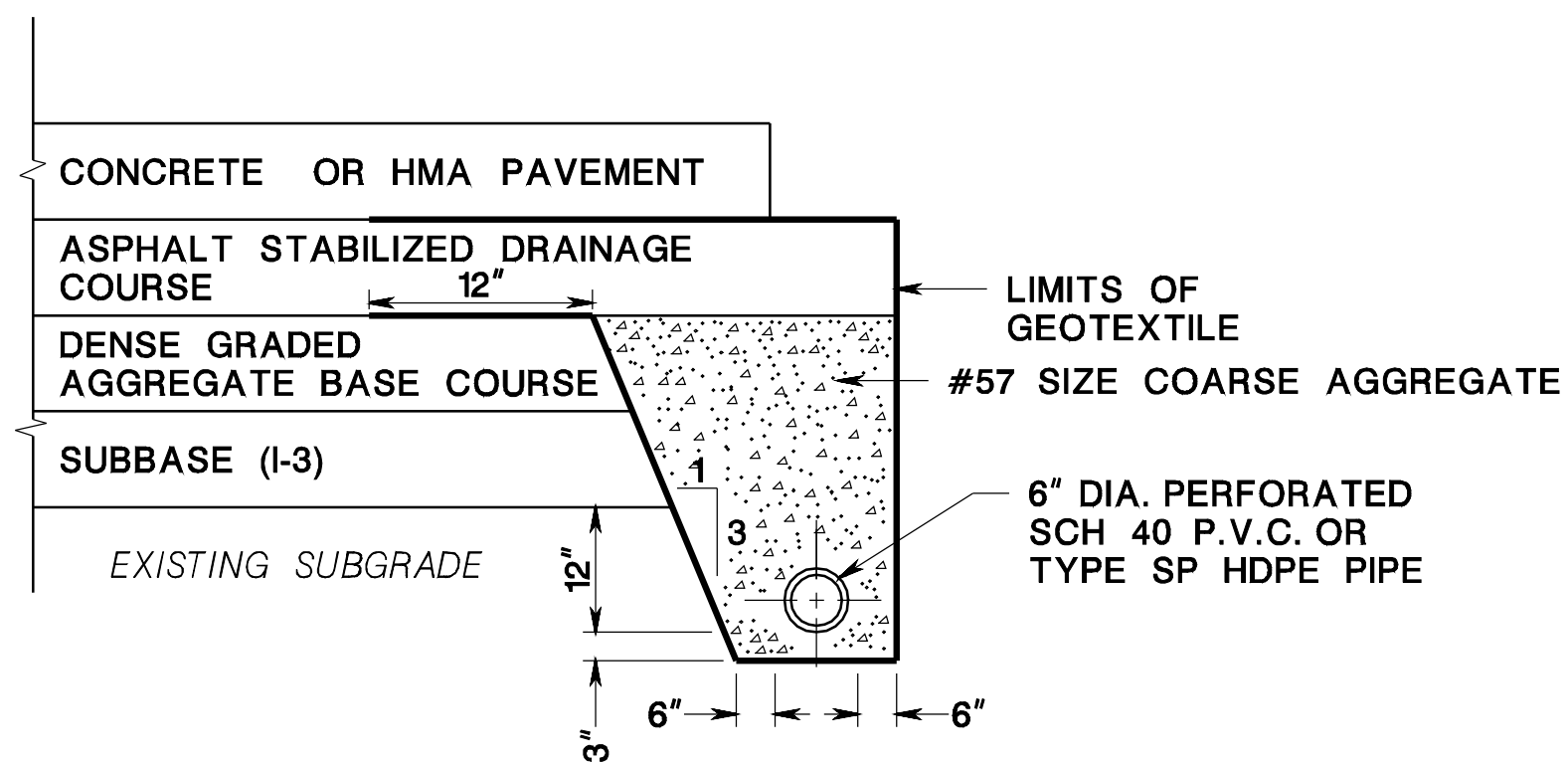
UNDERDRAIN TYPE F

CD-601-1.1

NOTES:

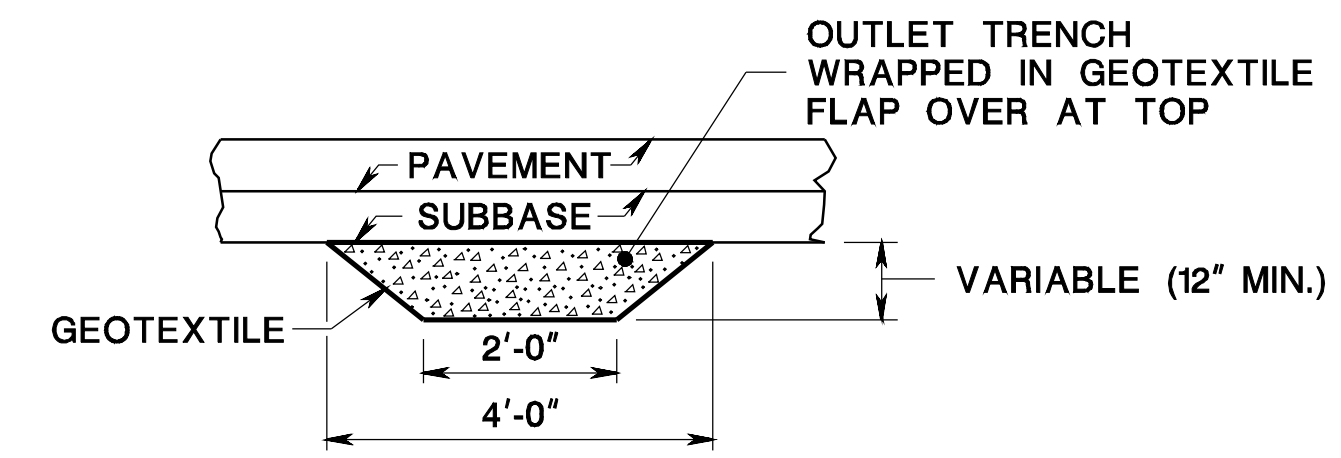
AFTER PLACING ASPHALT STABILIZED DRAINAGE COURSE, OVERLAP WITH GEOTEXTILE TO PROTECT THE EXPOSED SURFACE.

THE 6" DIA. PERFORATED PIPE SHOULD BE AT LEAST 12" BELOW THE LOWEST COURSE EITHER DENSE GRADED AGGREGATE BASE COURSE OR SUBBASE, DESIGNATION 1-3.

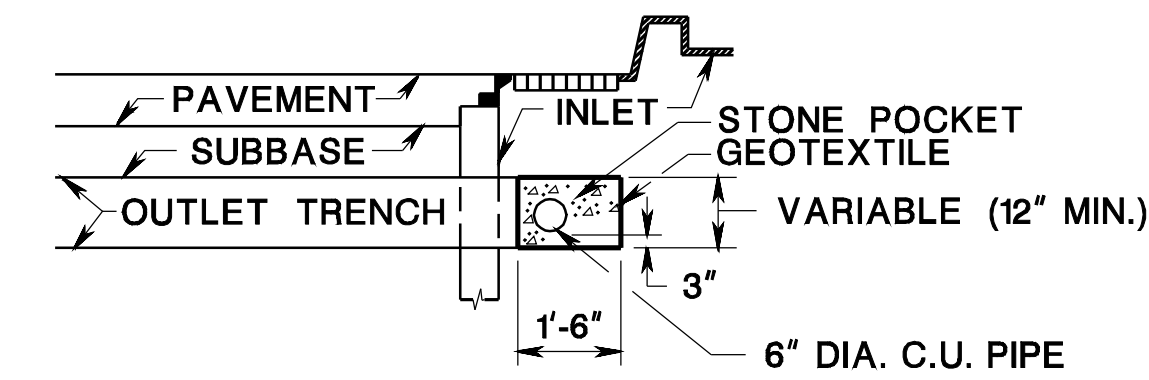


UNDERDRAIN TYPE X

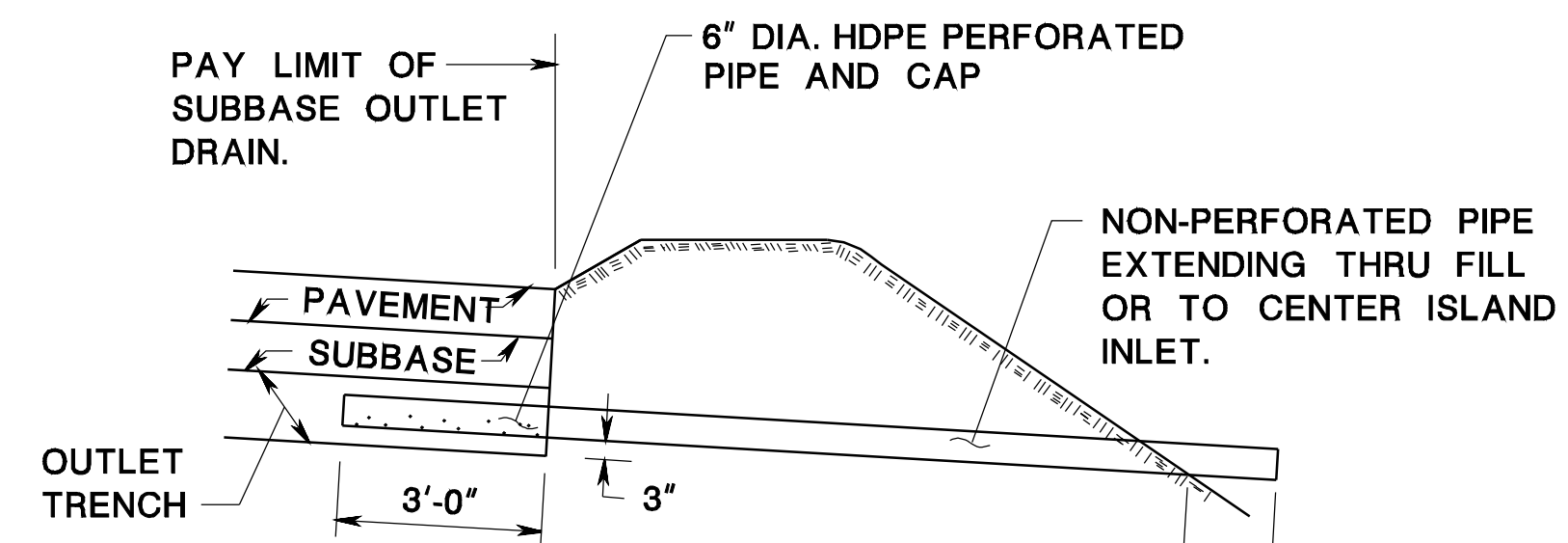
CD-601-1.2



SECTION A-A



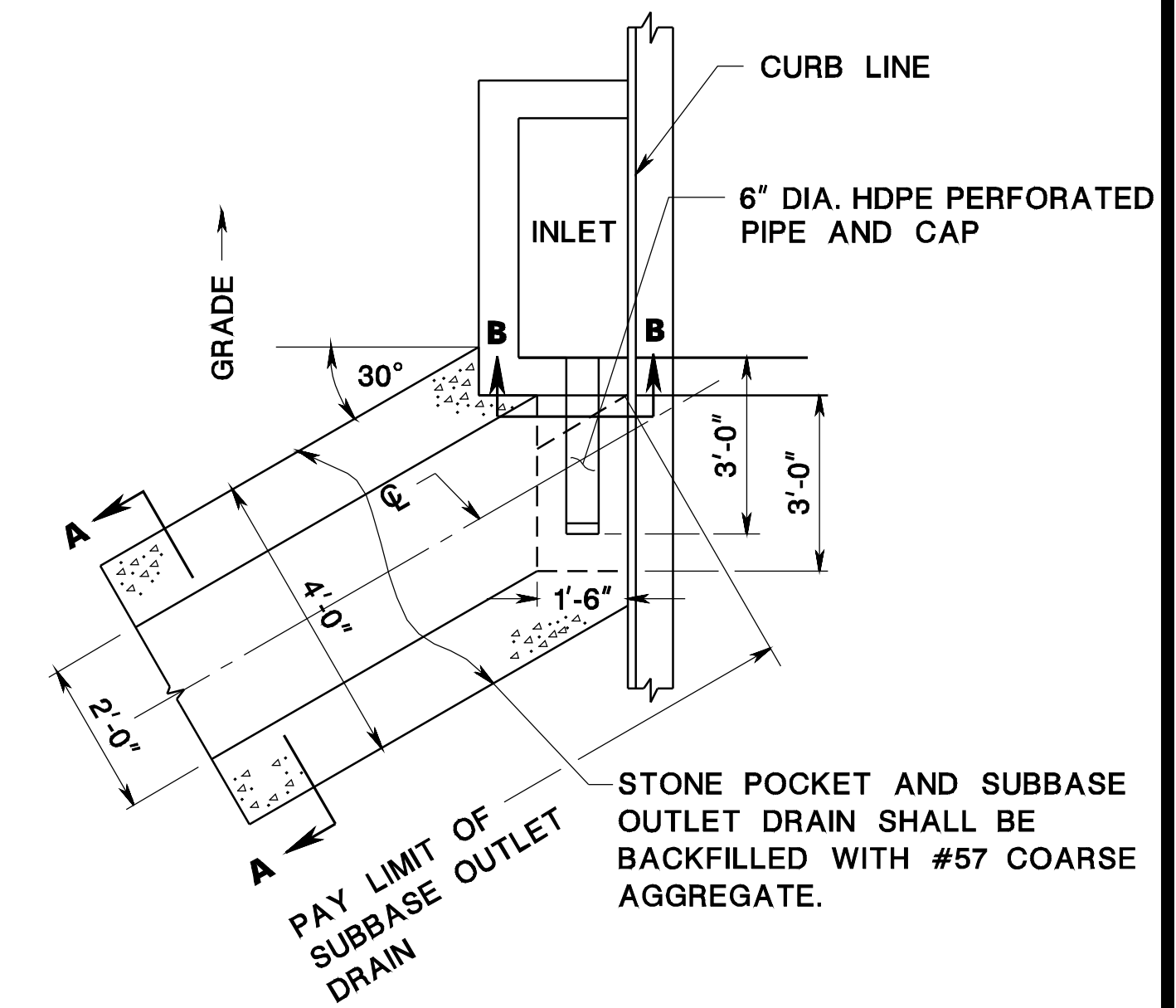
SECTION B-B



SCHEME FOR WATER DISPOSAL WHERE INLETS ARE IN CENTER ISLAND OR ARE NOT AVAILABLE

SUBBASE OUTLET DRAIN WITH 6" HDPE UNDERDRAIN PIPE

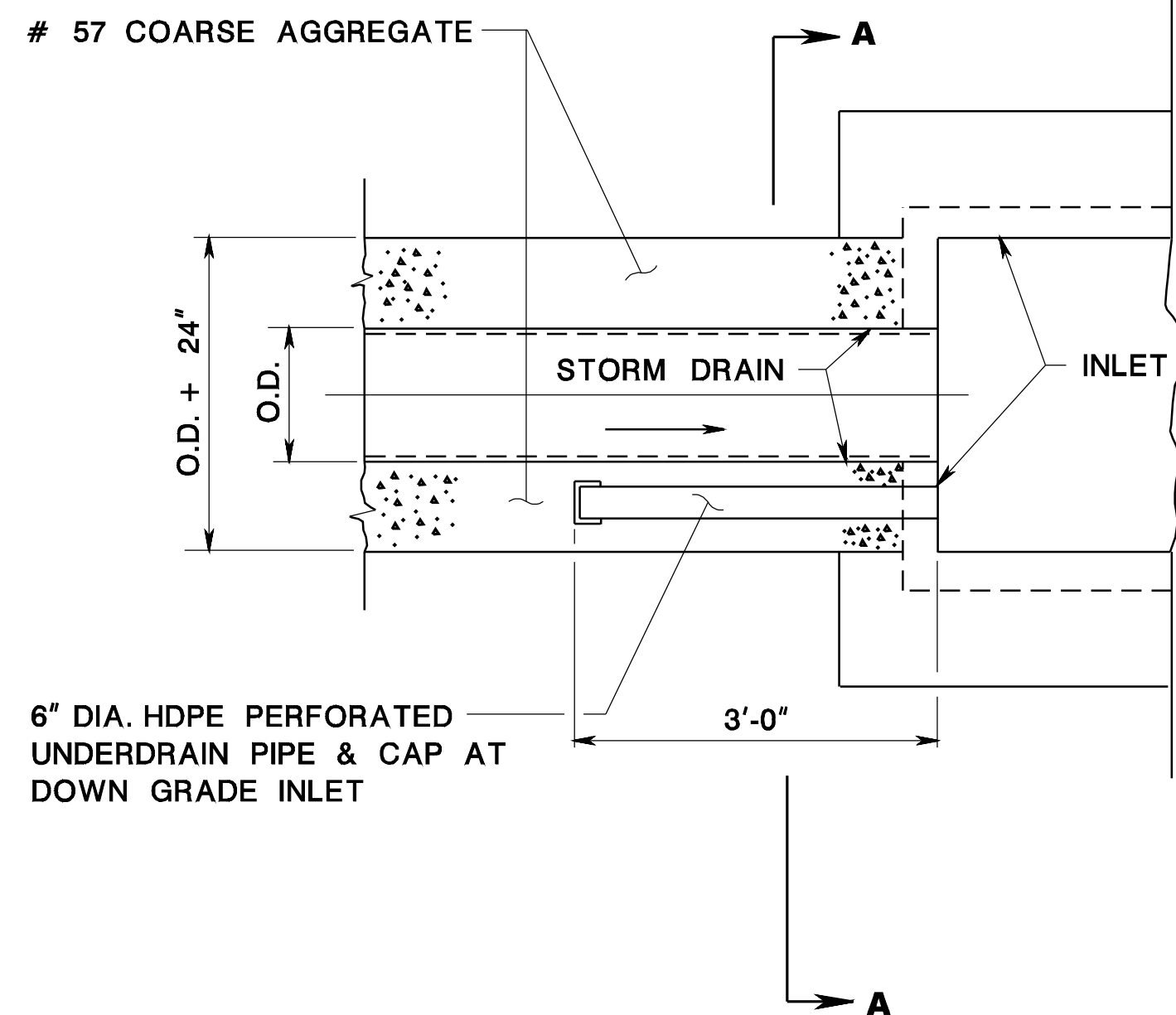
CD-601-1.3



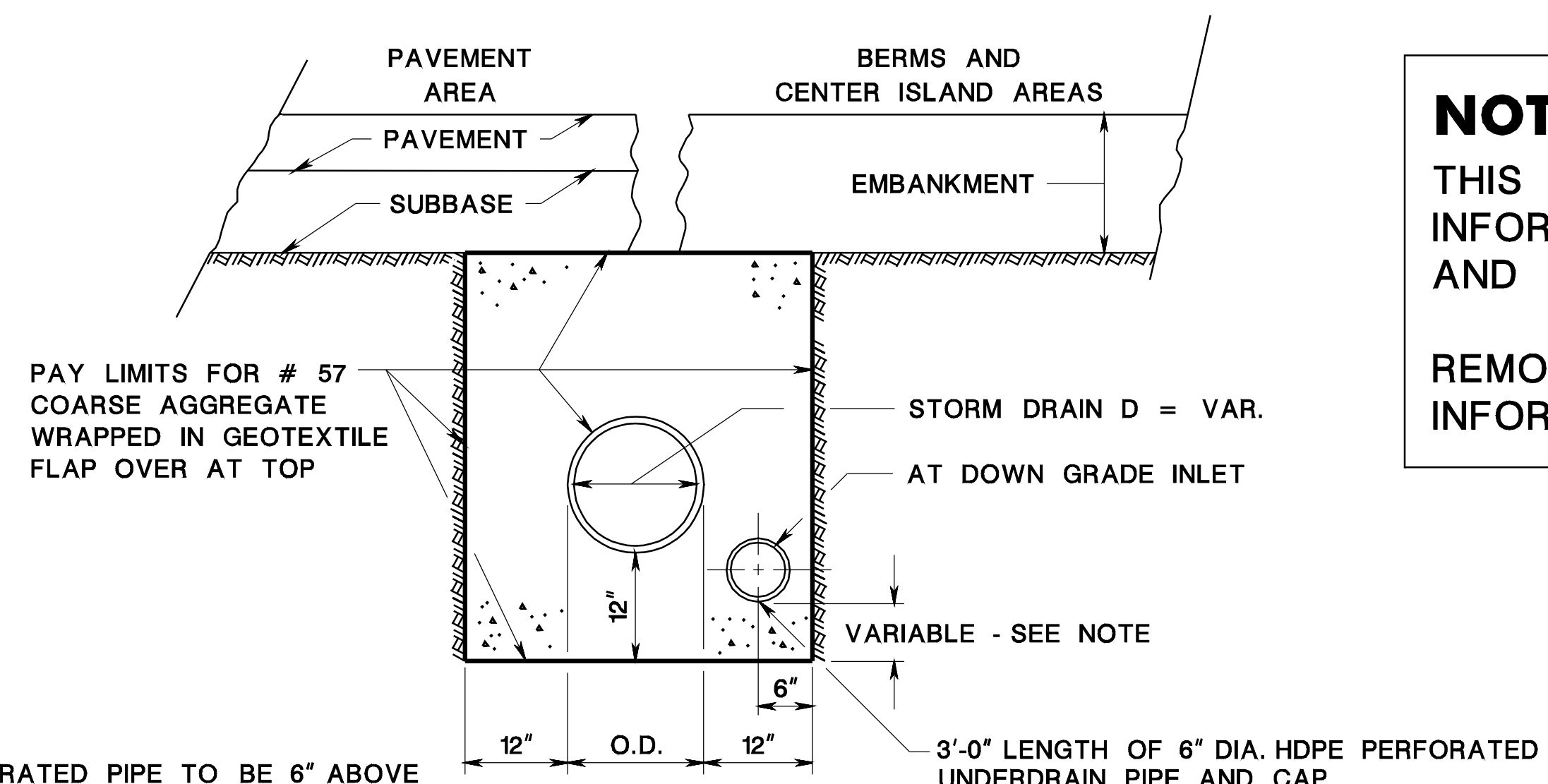
PLAN

NOTES:

- 1.) DISCHARGED WATER SHALL IN NO CASE VIOLATE DRAINAGE RIGHTS.
- 2.) SEE NOTE 2, CD-601-1.3



COMBINED STORM DRAIN AND OUTLET TRENCH IN ROCK AREAS



SECTION A-A

NOTES:

- 1.) INVERT OF 6" DIA. HDPE PERFORATED PIPE TO BE 6" ABOVE BOTTOM OF INLET OR 6" ABOVE BOTTOM OF TRENCH WHICHEVER IS HIGHER.
- 2.) THE SIZE OF PERFORATIONS SHOULD BE SMALLER THAN SIZE OF STONE SPECIFIED OTHERWISE WRAP FILTER FABRIC AROUND PIPE.

NOTE TO DESIGNER:
THIS SHEET REQUIRES DESIGN SPECIFIC INFORMATION IN CD-601.1.2 TO BE MODIFIED AND INCLUDED IN THE CONTRACT PLANS.
REMOVE THIS NOTE AFTER DESIGN SPECIFIC INFORMATION IS ADDED.

UNDERDRAINS

N.T.S.

CD-601-1

NEW JERSEY DEPARTMENT OF TRANSPORTATION

CONSTRUCTION DETAILS

CD-601-1.4