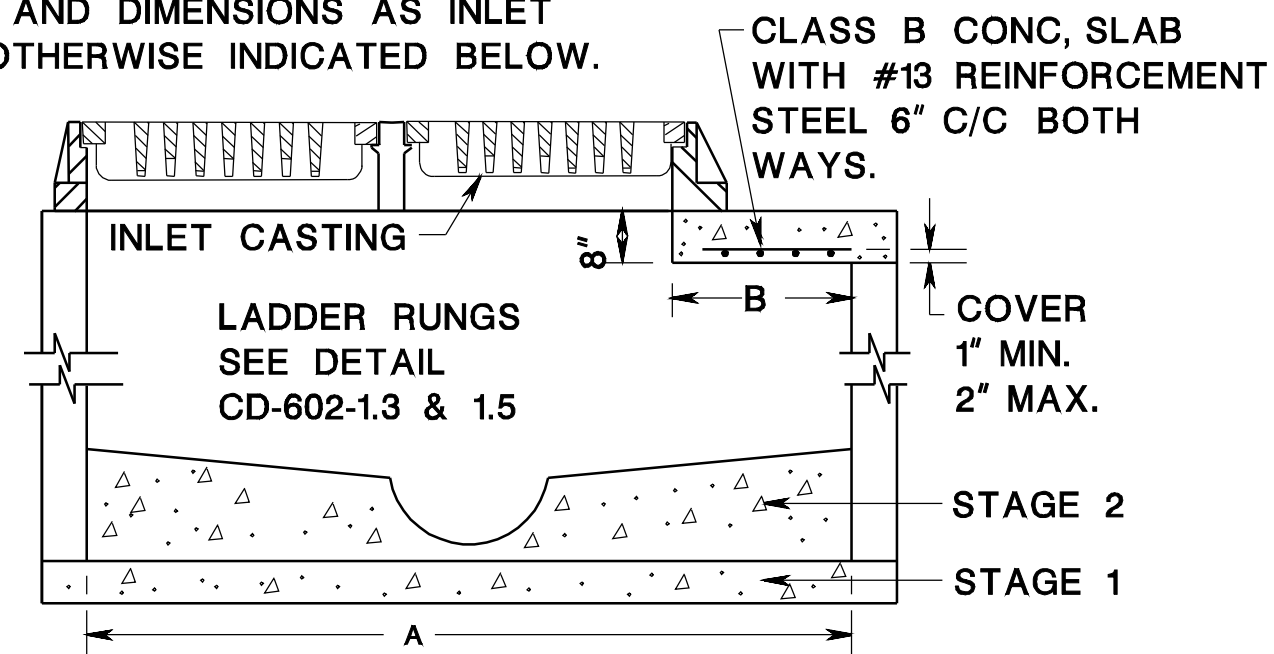


INLETS TYPE E1 AND TYPE E2 SHALL BE OF THE SAME CONSTRUCTION AND DIMENSIONS AS INLET TYPE E EXCEPT AS OTHERWISE INDICATED BELOW.

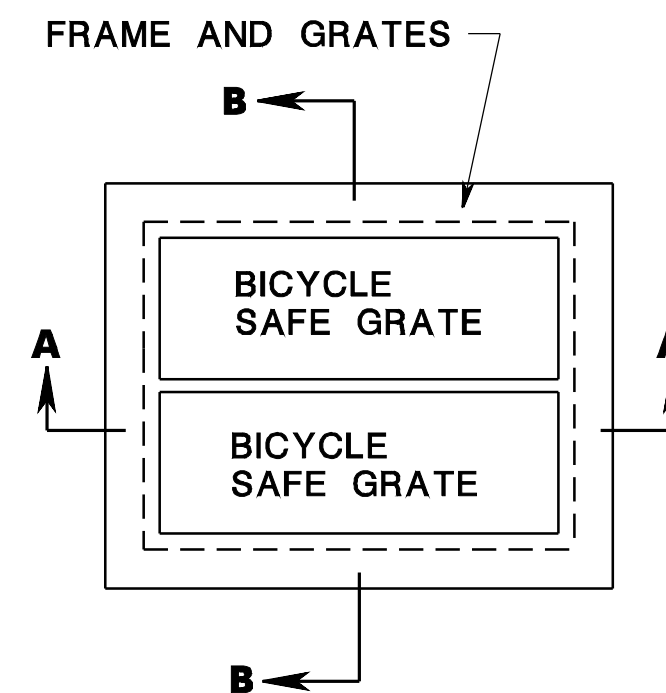
NOTE: FOUNDATION AND INVERT TO BE CONSTRUCTED IN TWO STAGES. TOP SURFACE OF STAGE 1 TO BE LEFT ROUGH.



INLET TYPE	DIMENSION A	DIMENSION B
E 1	4'-6"	1'-0"
E 2	5'-6"	2'-0"

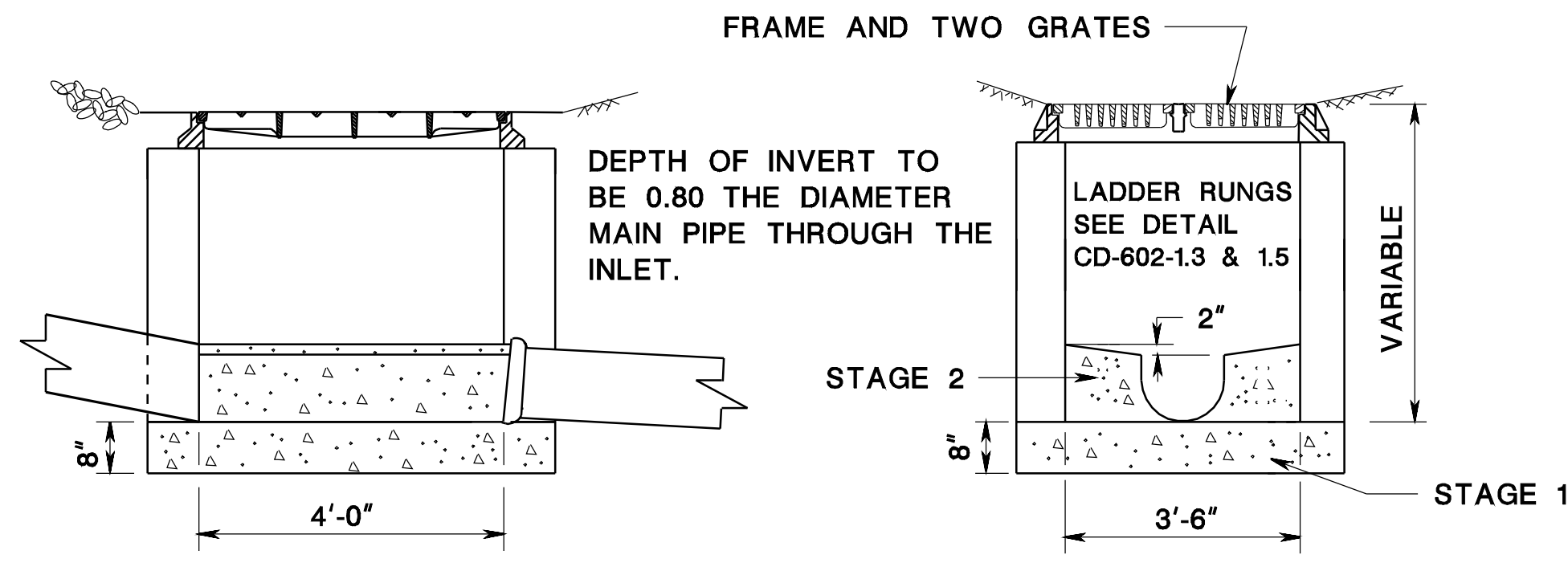
INLETS, TYPE E1 AND TYPE E2

CD-602-4.1



SECTION A-A

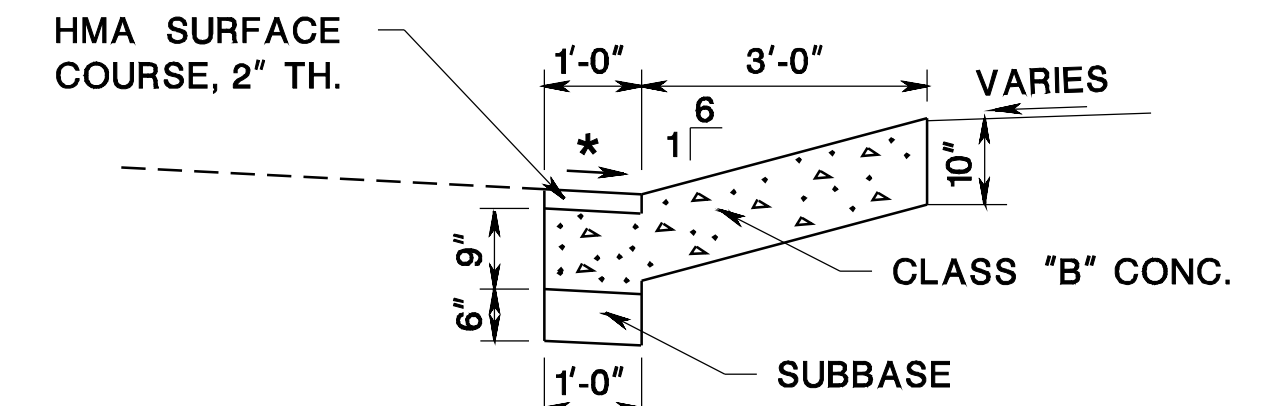
INLET, TYPE E



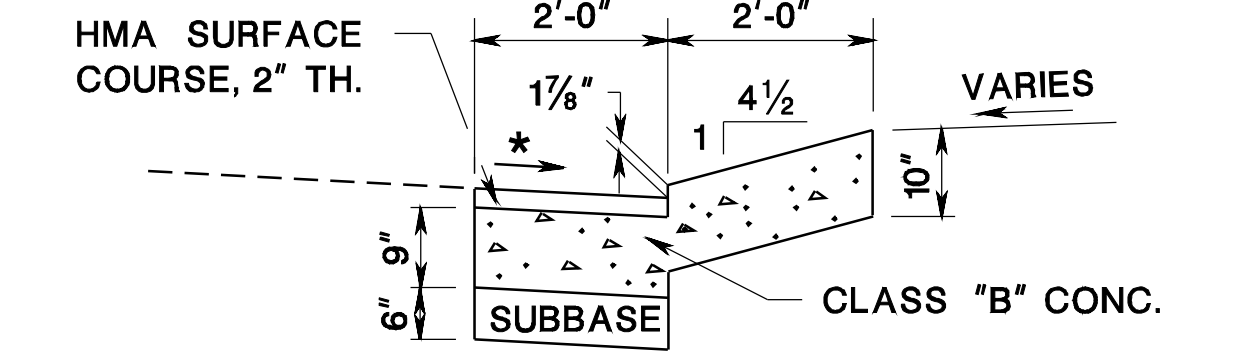
SECTION B-B

NOTE: FOUNDATION AND INVERT TO BE CONSTRUCTED IN 2 STAGES. TOP SURFACE OF STAGE 1 TO BE LEFT ROUGH.

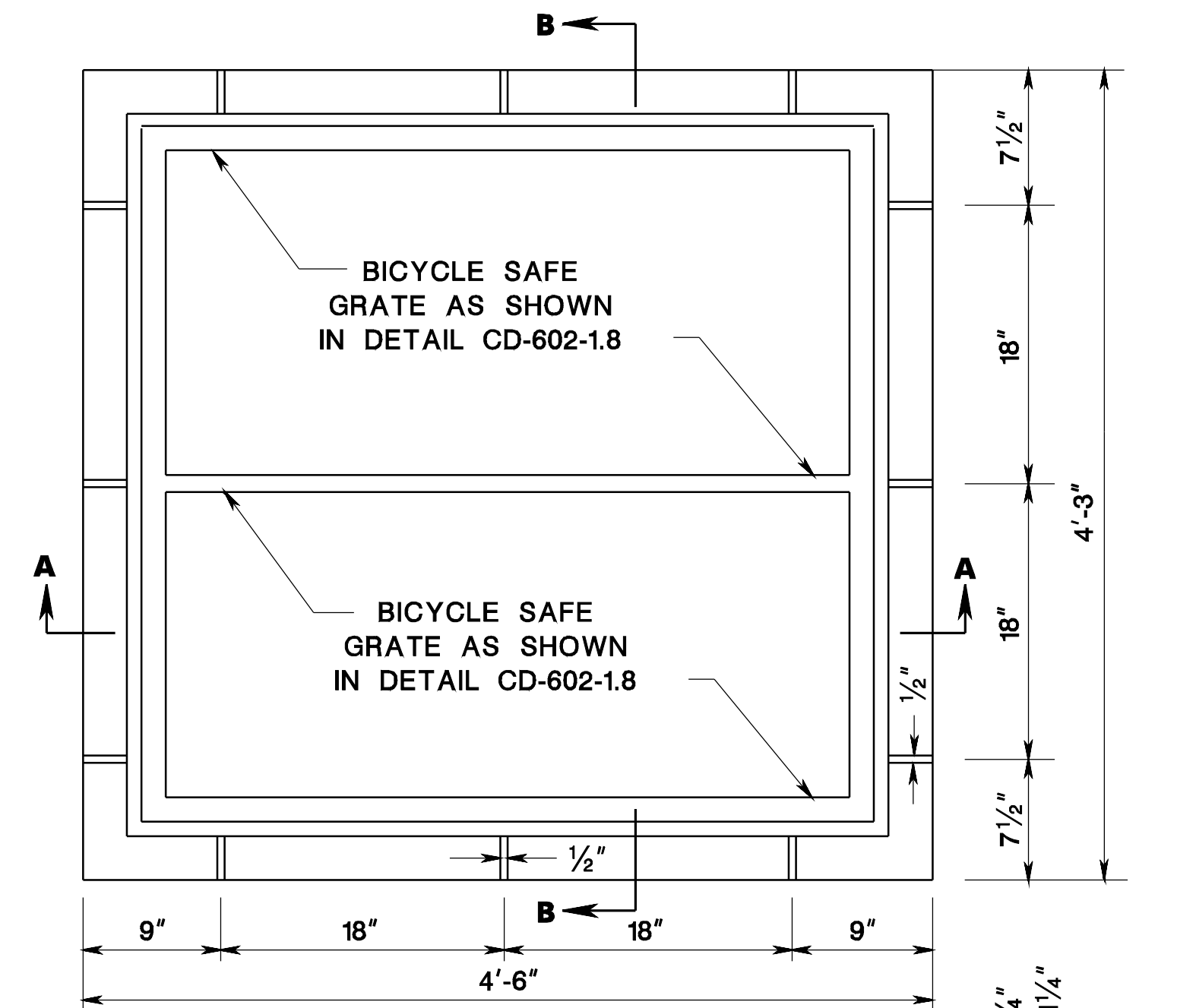
CD-602-4.2



SECTION A-A



SECTION B-B

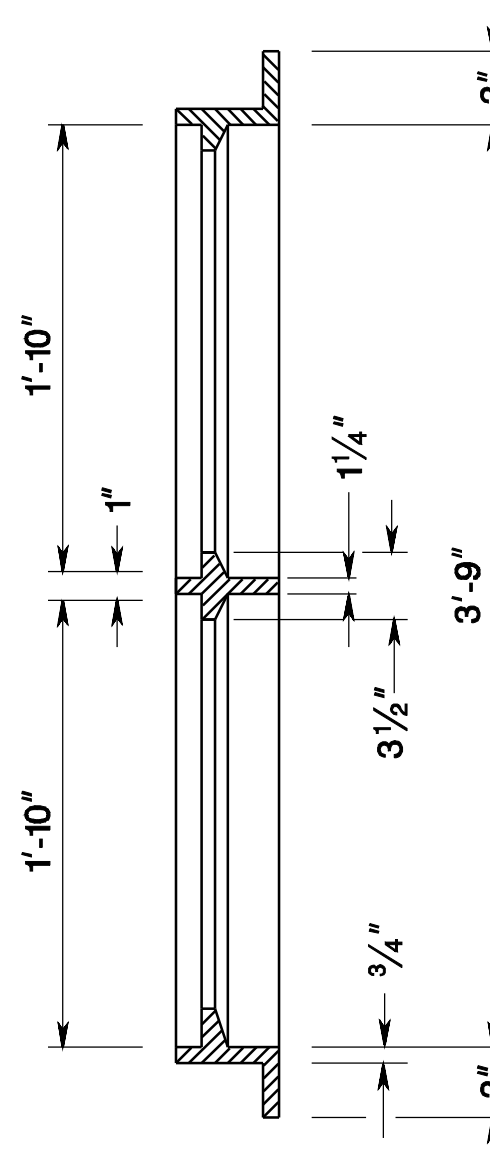


FRAME FOR INLET, TYPE E

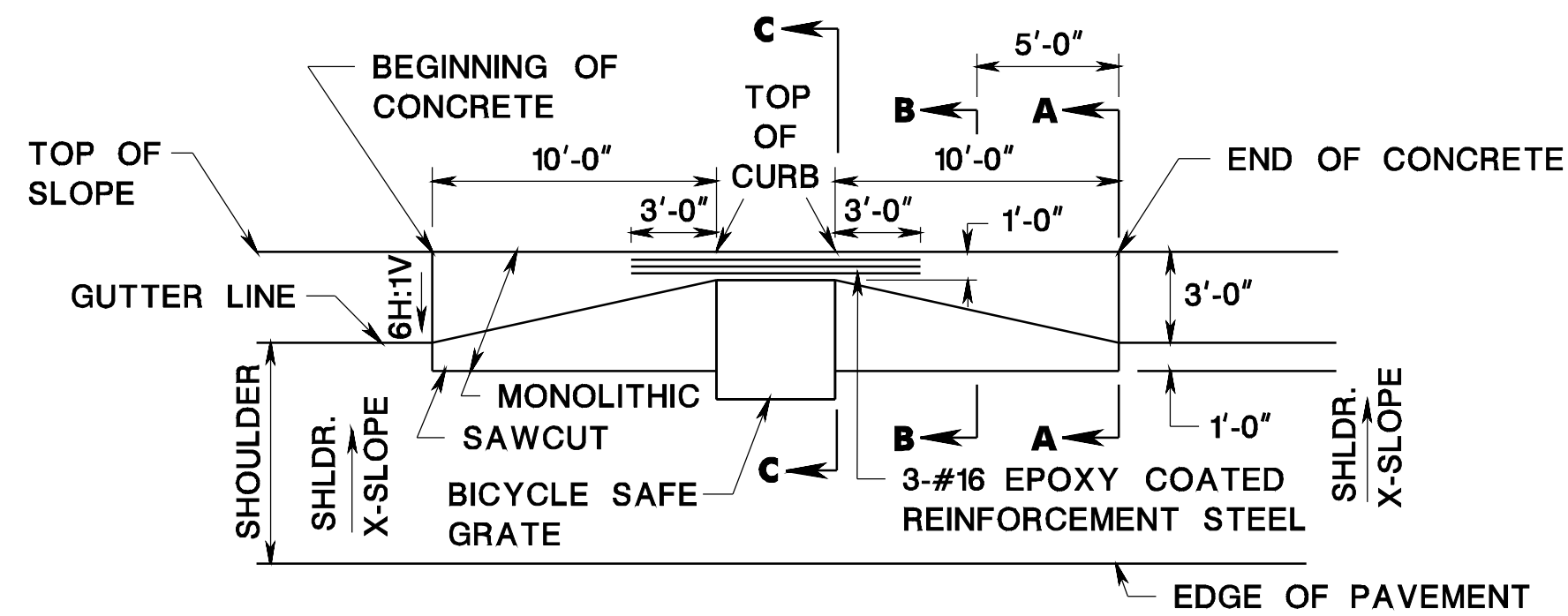
NOTE: SEE GENERAL NOTE 10, CD-602-1.6

CD-602-4.3

WEIGHT OF FRAME = 435#
WEIGHT OF EACH GRATE = 325#



SECTION B-B



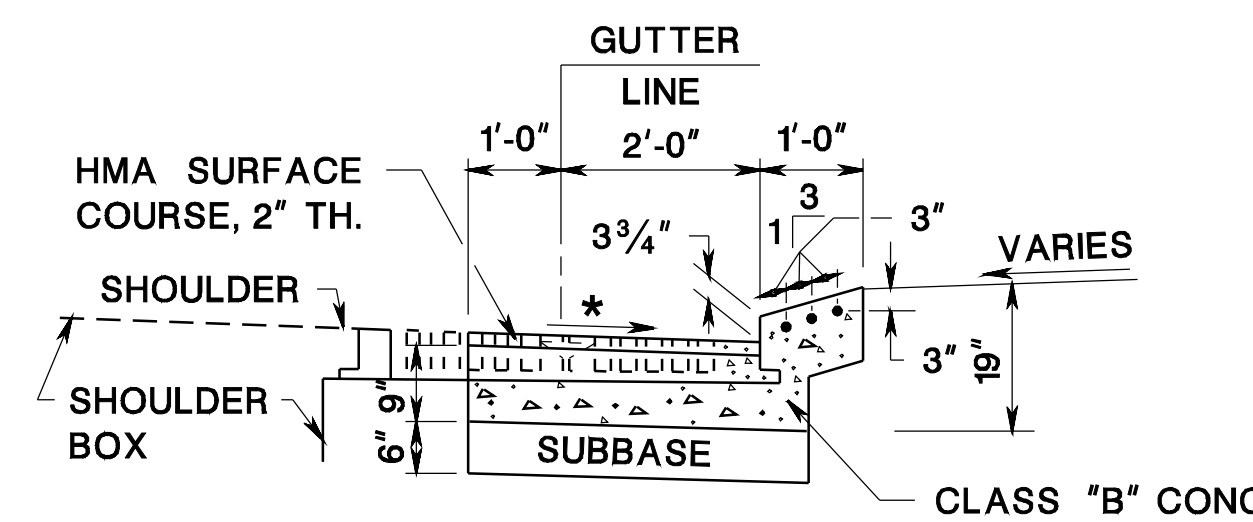
PLAN VIEW

NOTE: THE UNDERLYING MATERIAL SHALL BE SHAPED AND COMPACTED TO A FIRM, EVEN SURFACE.

NOTE: ITEM INCLUDES EXCAVATION SUBBASE SOIL AGGREGATE 1-3, 6" TH. CLASS B CONCRETE (RDWY) HMA SURFACE COURSE UNDERLAYER PREPARATION TACK COAT INLET CASTING, TYPE "E" WITH CASTING, AND REINFORCEMENT STEEL.

INLET, TYPE ES

CD-602-4.4



SECTION C-C

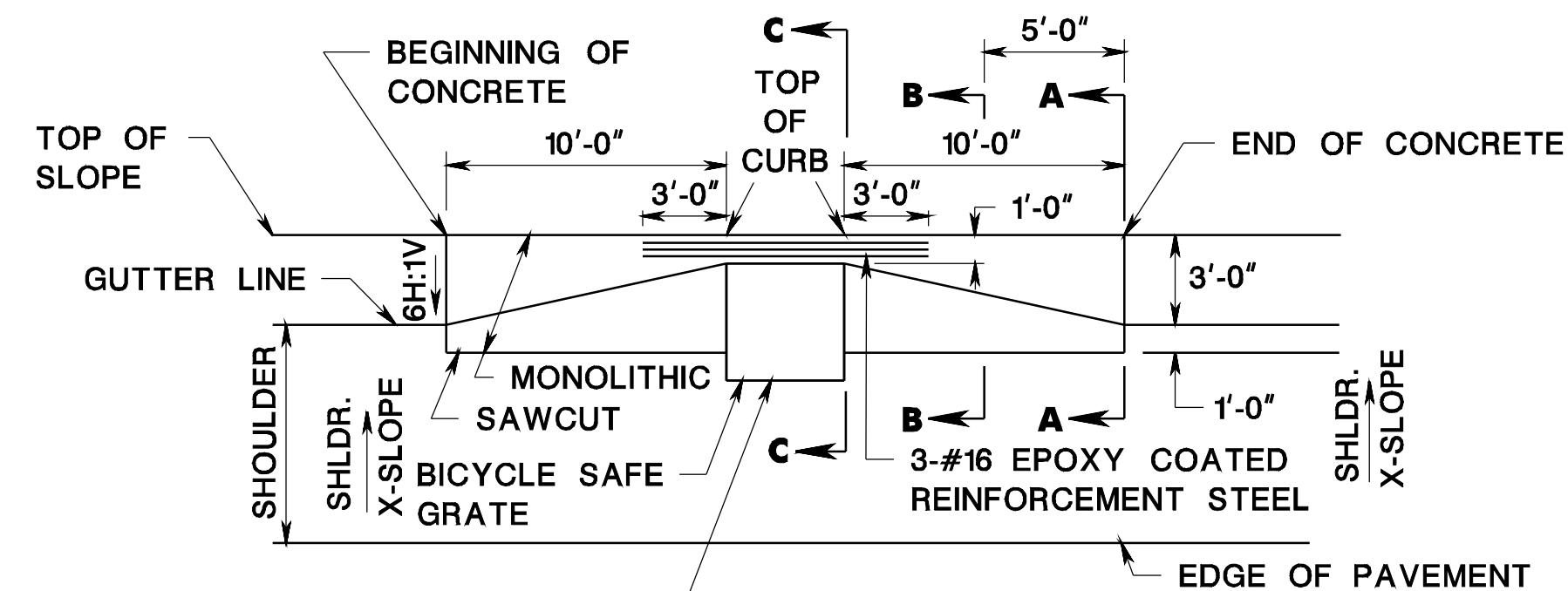
NOTE: ITEM INCLUDES EXCAVATION SUBBASE SOIL AGGREGATE 1-3, 6 INCHES THICK. CLASS B CONCRETE (RDWY) HMA SURFACE COURSE UNDERLAYER PREPARATION TACK COAT INLET CASTING, TYPE "E" REMOVAL OF EXISTING CLASS B CONCRETE IF REQUIRED.

REINFORCEMENT STEEL IS IN METRIC UNITS.
HMA = HOT MIX ASPHALT

INLETS, TYPE E, E1, E2, & ES

N.T.S.

CD-602-4

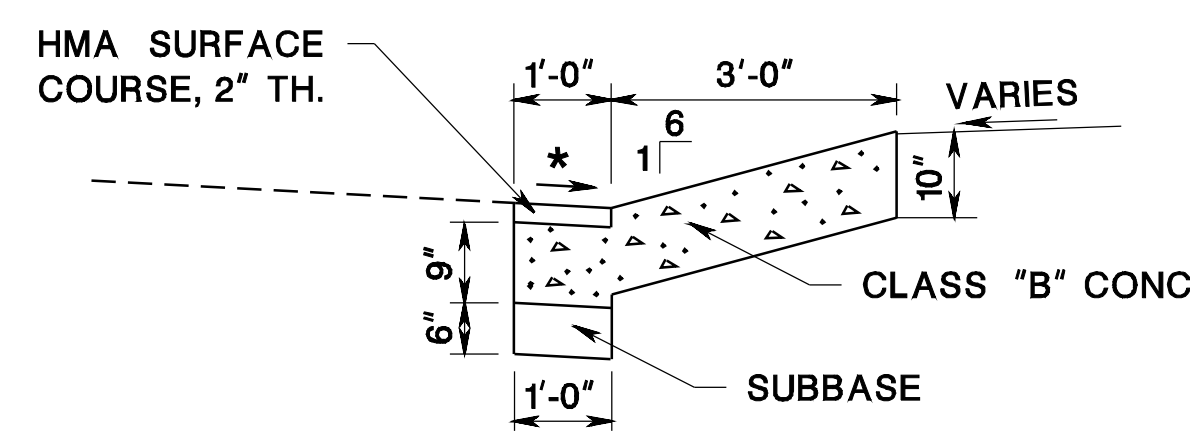


PLAN VIEW

FOR EXIST. INLET TYPE "B", PROVIDE NEW INLET CASTING TYPE "E".
FOR EXIST. INLET TYPE "E" OR "ES" USE EXIST. CASTING.

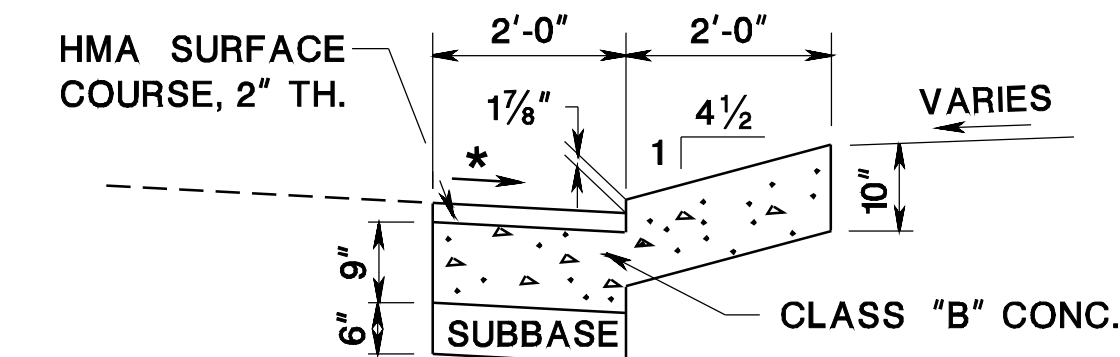
NOTE: THE UNDERLYING MATERIAL SHALL BE SHAPED AND COMPACTED TO A FIRM, EVEN SURFACE.

INLET CASTING, TYPE ES



SECTION A-A

* SAME X-SLOPE AS ADJOINING SHOULDER



SECTION B-B

CD-602-4.5

CONSTRUCTION DETAILS

NEW JERSEY DEPARTMENT OF TRANSPORTATION