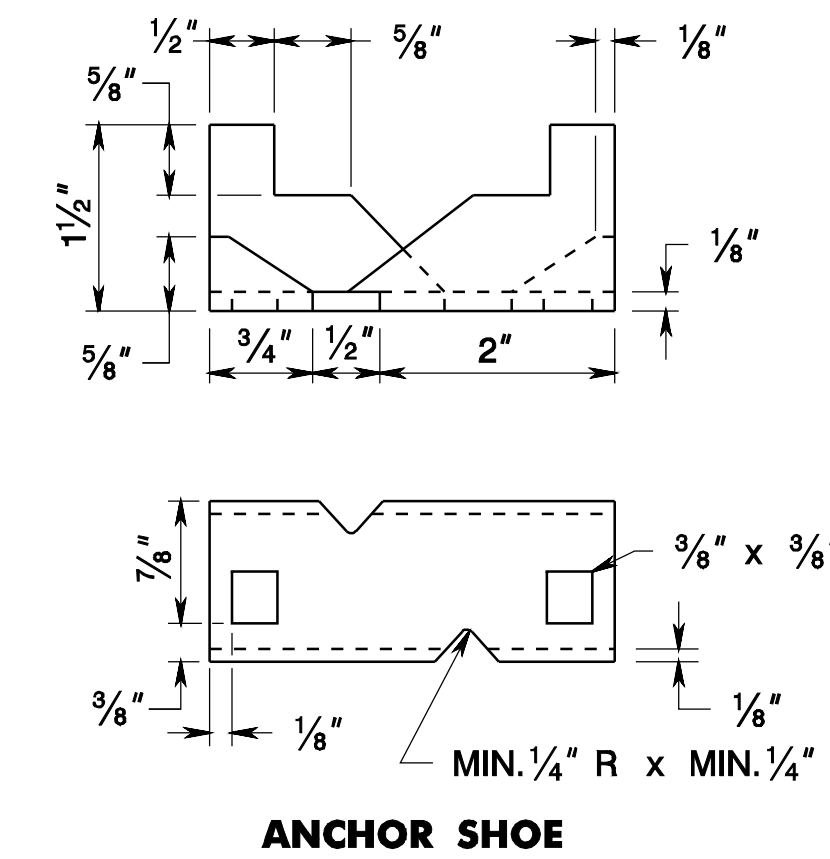
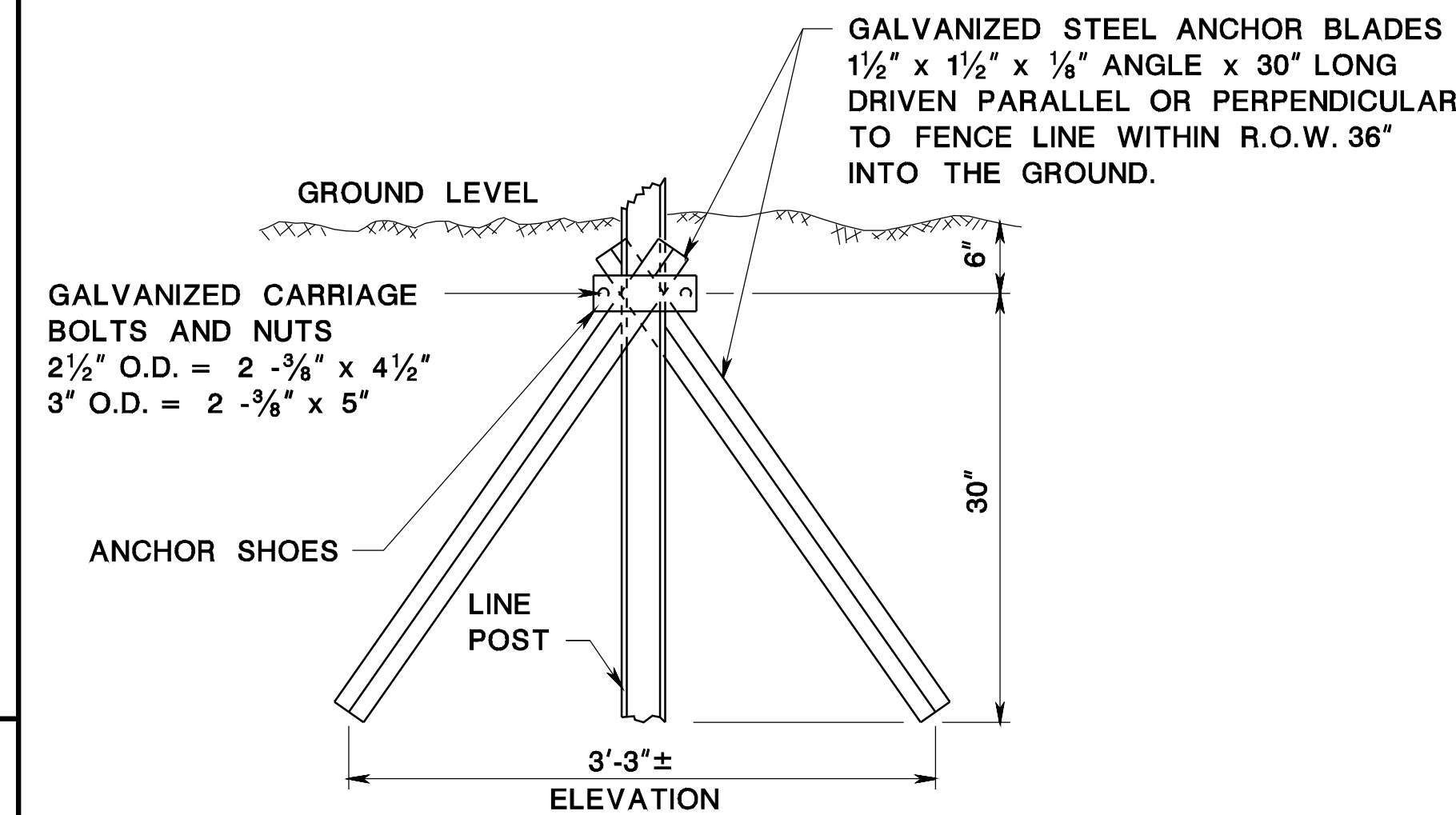


CHAIN-LINK FENCE, ___ ' HIGH

CD-605-1.1



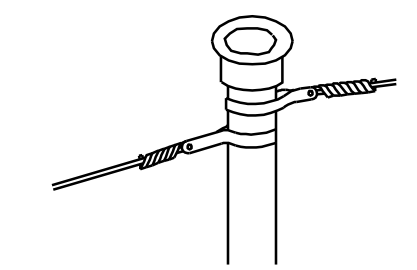
ANCHOR SHOE



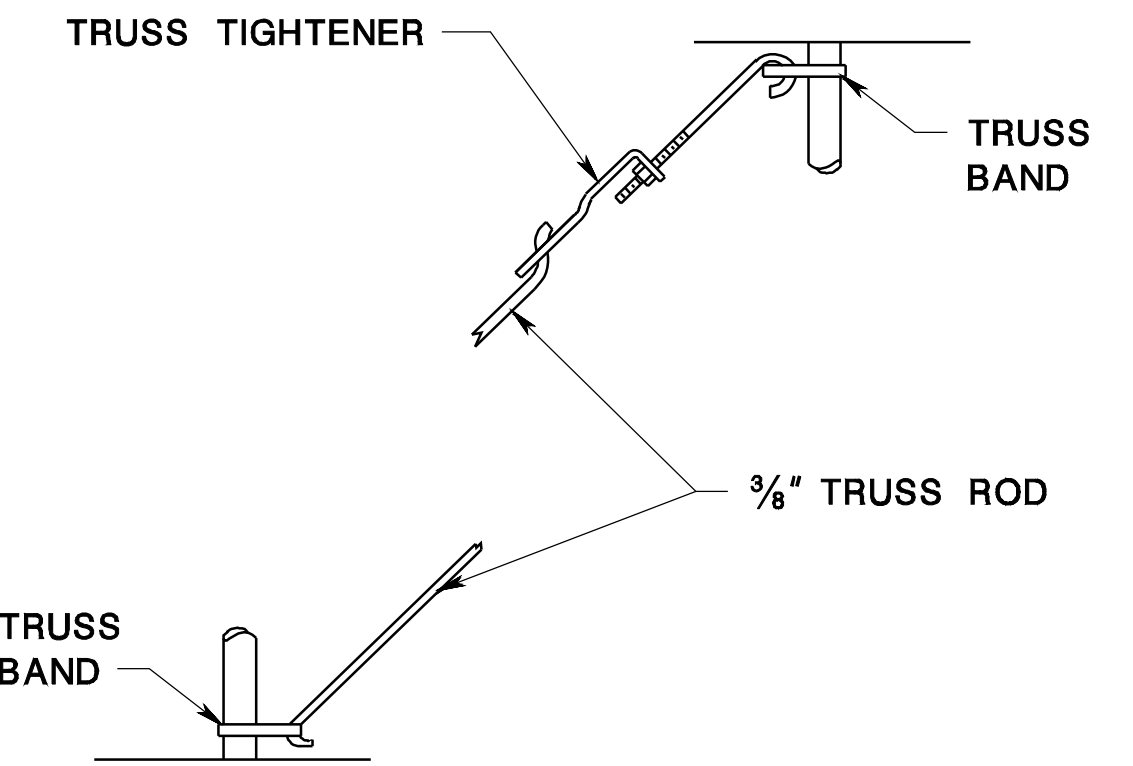
DRIVE ANCHOR SHOE ASSEMBLY

(SEE NOTE 7)

CD-605-1.2



TENSION WIRE CONNECTION AT ROUND INTERMEDIATE OR CORNER POST



3/8" TRUSS ROD ASSEMBLY

CHAIN-LINK FENCE ASSEMBLIES

CD-605-1.3

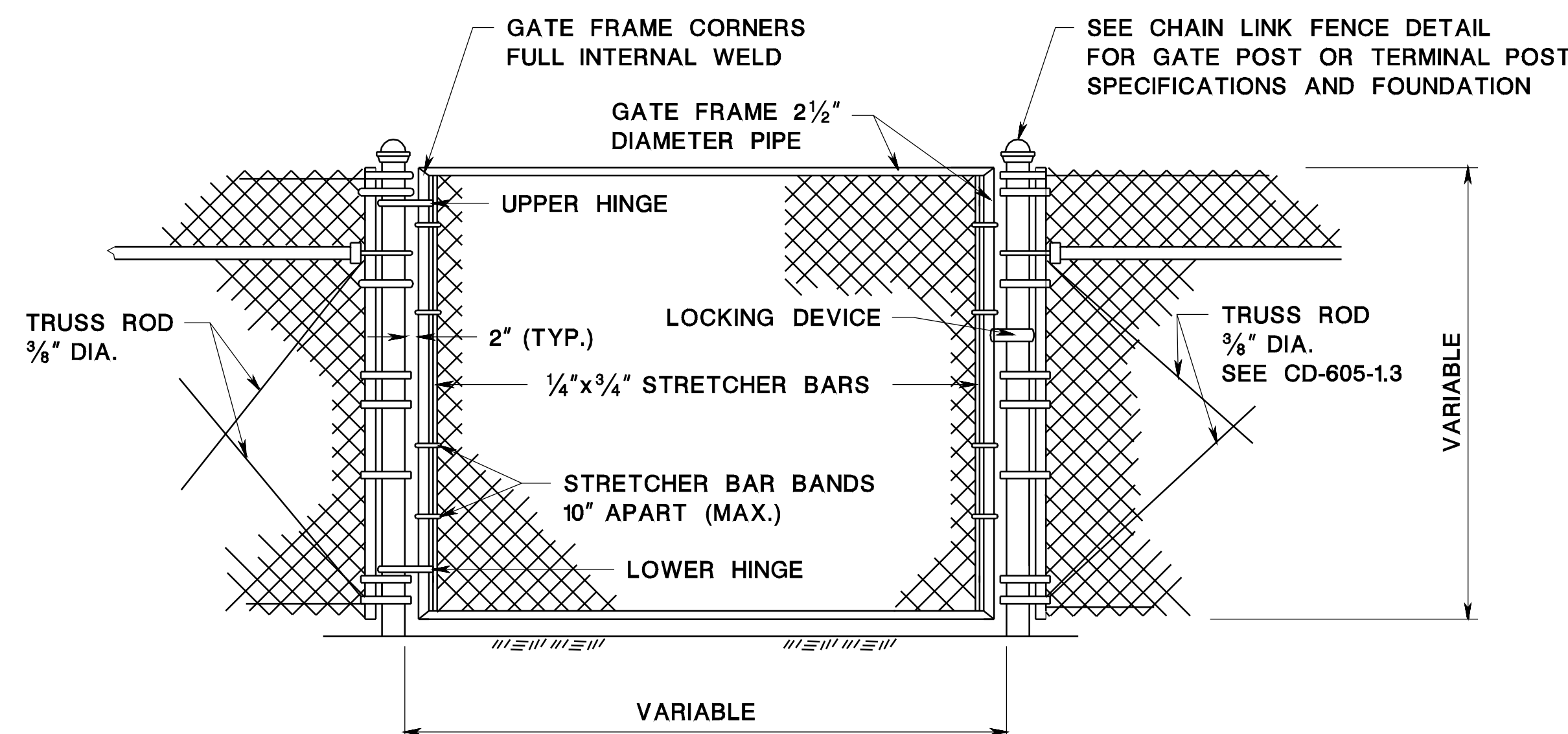
GENERAL NOTES

1. CHAIN-LINK FENCE FABRIC, POSTS, RAILS, TIES, BANDS, BARS, RODS, AND OTHER FITTINGS AND HARDWARE SHALL CONFORM TO AASHTO M 181 FOR TYPES, GRADES AND CLASSES, AND AS NOTED BELOW.

2. POSTS:	TERMINAL, CORNER AND GATE POSTS	LINE POSTS	TOP OR BRACE RAIL
	3" O.D. PIPE	2 1/2" O.D. PIPE	1 5/8" O.D. PIPE
AASHTO TYPE	I OR II	I OR II	I OR II
AASHTO GRADE	1 OR 2	1 OR 2	1 OR 2
MINIMUM LENGTH OF POST FOR			
4' FABRIC	6'-8"	6'-8"	NA
5' FABRIC	7'-8"	7'-8"	NA
6' FABRIC	8'-8"	8'-8"	NA
ACTUAL OUTSIDE DIAMETER (IN.)	2.875	2.375	1.660
WALL THICKNESS (IN.)	GRADE 1 = .203 GRADE 2 = .160	GRADE 1 = .154 GRADE 2 = .120	GRADE 1 = .140 GRADE 2 = .111

3. FABRIC:
TYPE II AND TYPE IV SHALL BE 9 GAUGE CORE WIRE, 2 INCH MESH
TYPE IV FABRIC SHALL BE CLASS A OR B.
TYPE IV FABRIC SHALL BE GREY IN COLOR, AND SHALL MATCH FEDERAL STANDARD 595A, COLOR CHIP NO. 26493 (SEMI-GLOSS), UNLESS OTHERWISE SPECIFIED IN THE SPECIAL PROVISIONS.
4. THE CENTERLINE OF ALL POSTS SHALL NOT BE LESS THAN 8" INSIDE R.O.W.
5. THE DEPTH OF CONCRETE FOOTINGS IN SOLID ROCK MAY BE REDUCED TO ONE FOOT BELOW THE TOP OF ROCK AND THE DIAMETER OF THE HOLE IN ROCK MAY BE REDUCED TO 3 1/2".
6. BRACE BANDS AND STRETCHER BAR BANDS SHALL BE FURNISHED WITH 5/16" DIA. CARRIAGE BOLTS AND ELASTIC STOP NUTS.
7. DRIVE ANCHOR SHOE ASSEMBLY ONLY TO BE USED IN WET AREAS AND WITH PRIOR APPROVAL OF THE R.E..
8. WHEN THE PLANS INDICATE A TERMINAL OR CORNER POST DESIGNATED TYPE "NR", THE TOP RAIL SHALL BE ELIMINATED FROM THIS SECTION OF FENCE.

CD-605-1.4



GATES, CHAIN-LINK FENCE, ___ ' WIDE

CD-605-1.5

CHAIN-LINK FENCE
N.T.S.

CD-605-1

NEW JERSEY DEPARTMENT OF TRANSPORTATION

CONSTRUCTION DETAILS