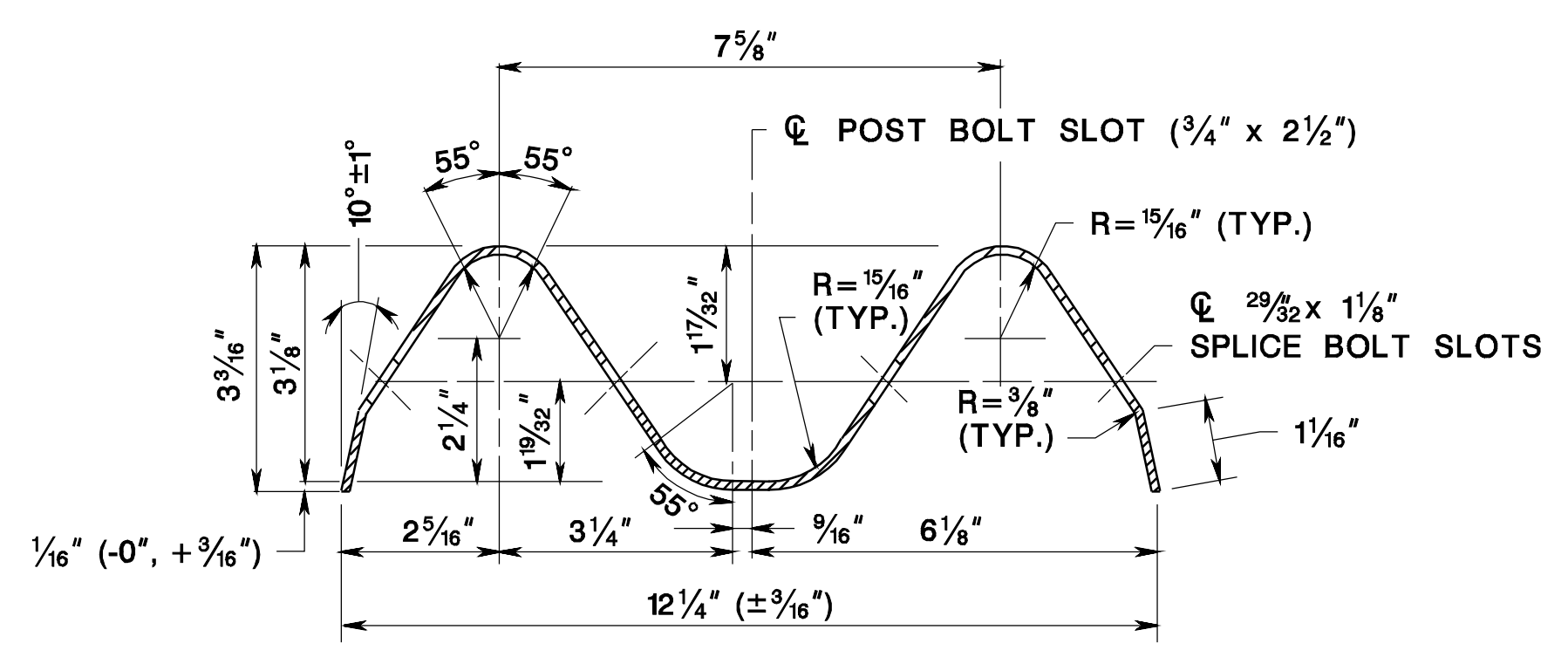
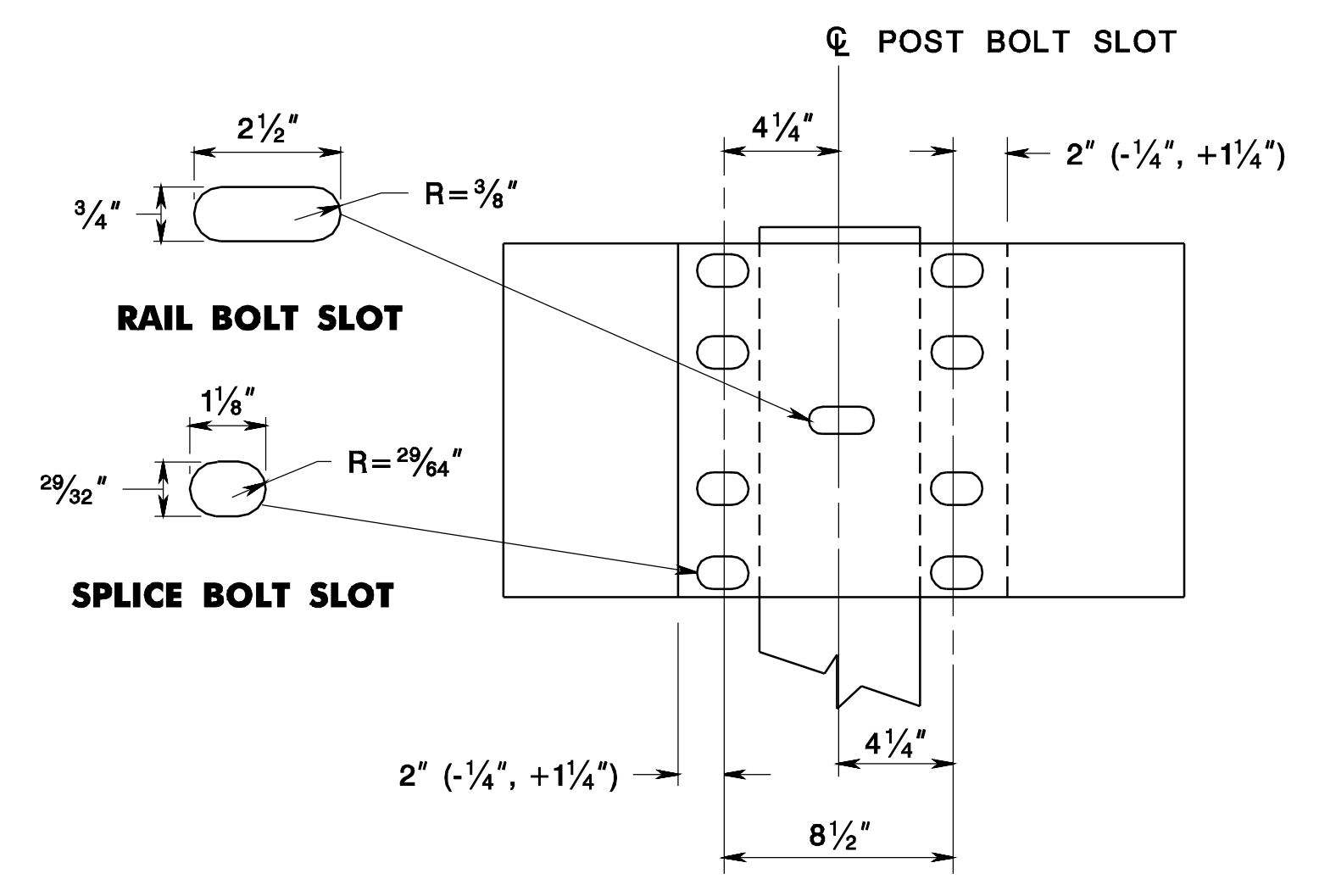


pen table= \\njdotprjws\vsystem\NJDOTWS\Projects\NJDOTEng\Plot\TBLS\Roadway\basic.tbl  
 scale=30.000000;1.000000  
 date=17-DEC-2007 09:46  
 ID=TPXBHAY  
 BDC0703-ORIGINAL SHEET

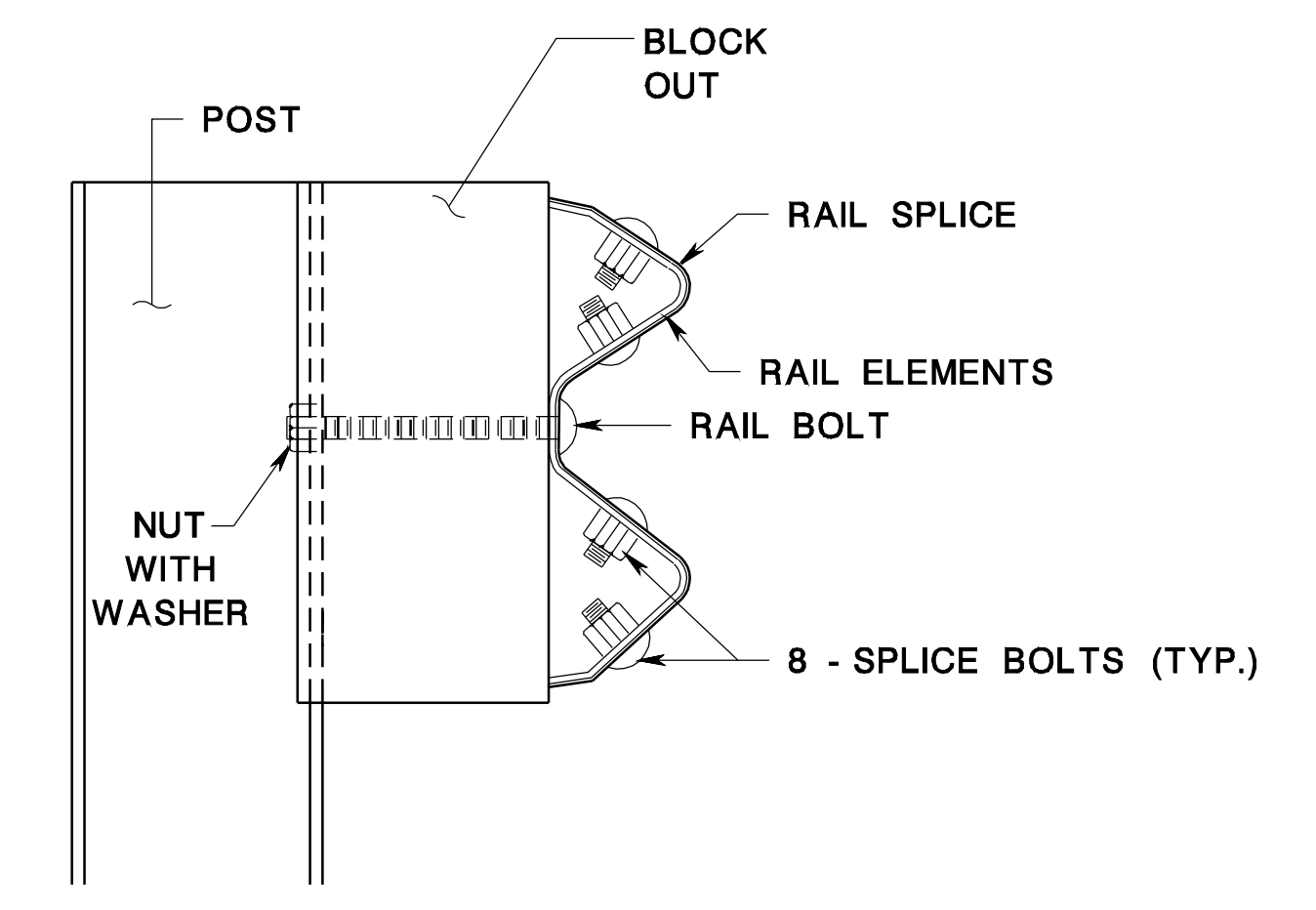


RAIL ELEMENT SHALL BE SUPPLIED IN LENGTHS OF 13'-6 1/2" OR 26'-1/2"

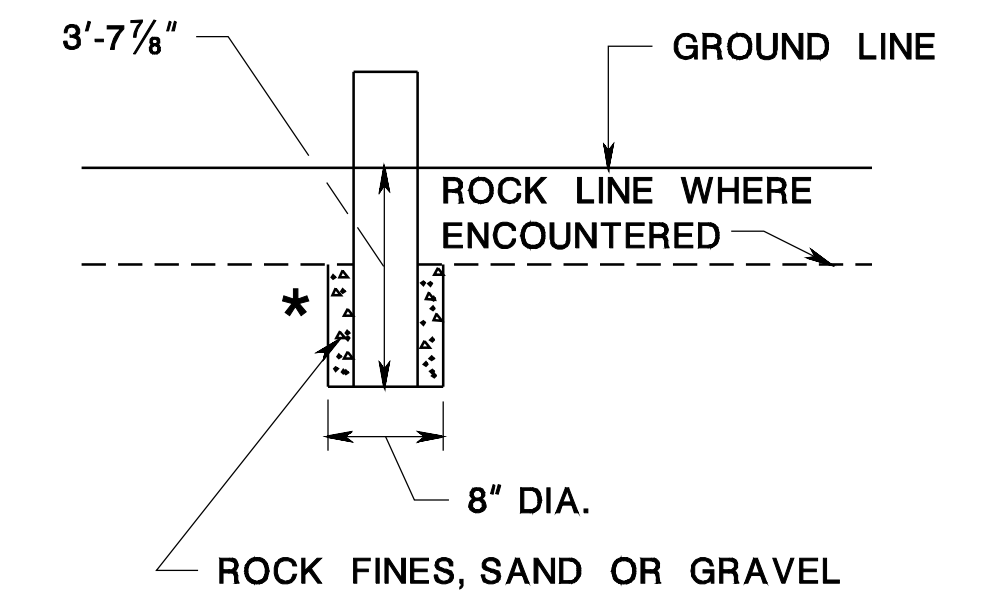
**W-BEAM RAIL ELEMENT**



**RAIL SPLICE**



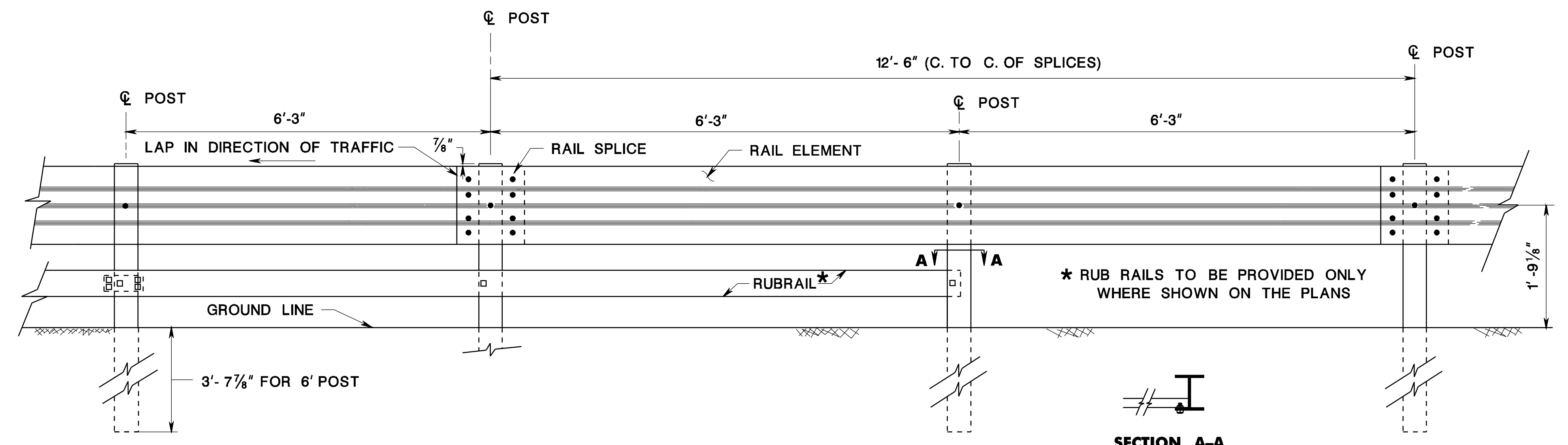
**BEAM GUIDE RAIL POST ASSEMBLY**



\* ALTERNATE CONSTRUCTION METHOD: PLACE POST IN 8" DIA. HOLE AND BACKFILL WITH CLASS "B" CONCRETE

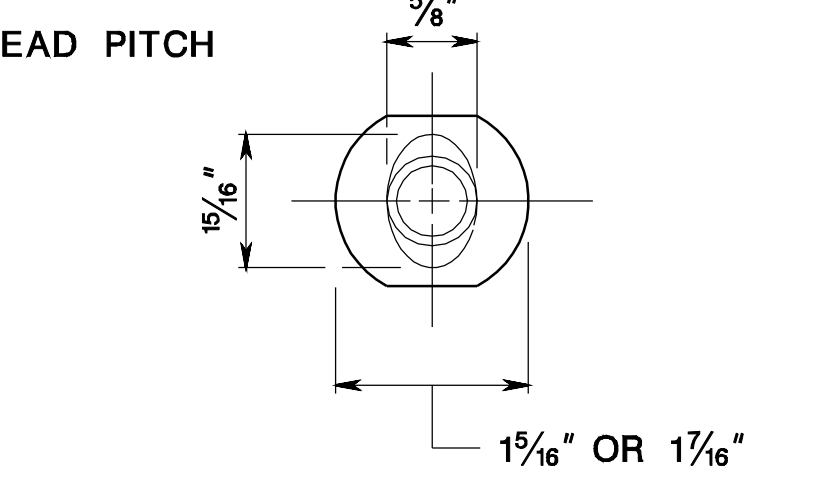
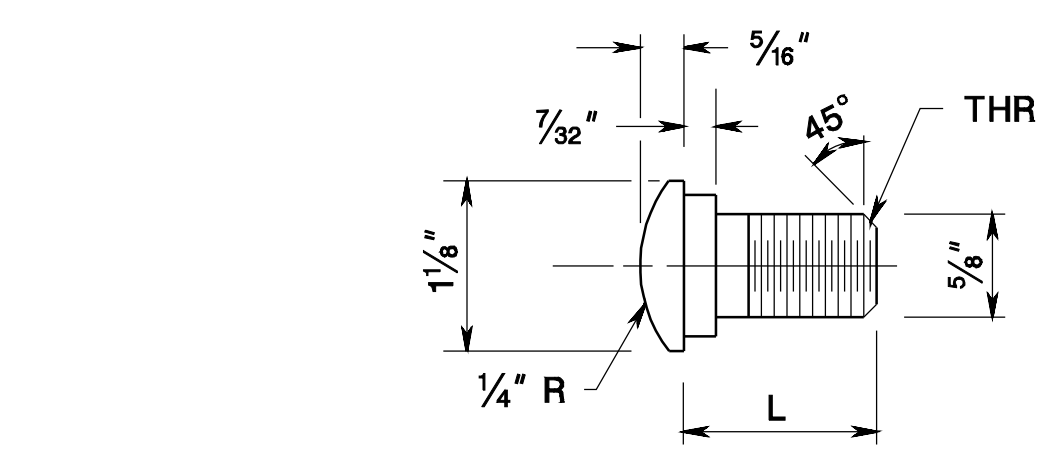
**GUIDE RAIL POST INSTALLATION IN ROCK**

CD-609-1.2



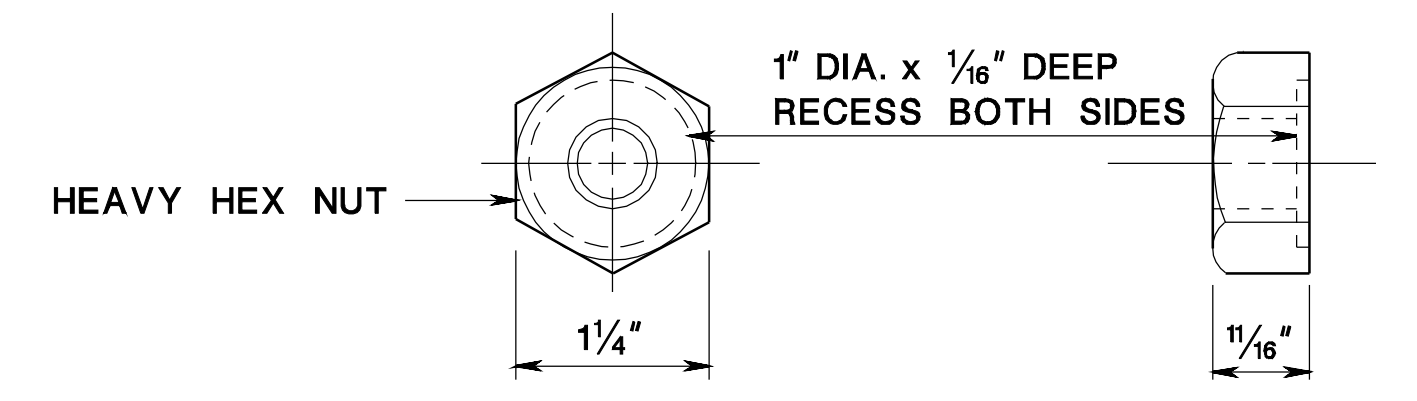
**BEAM GUIDE RAIL**

**SECTION A-A**

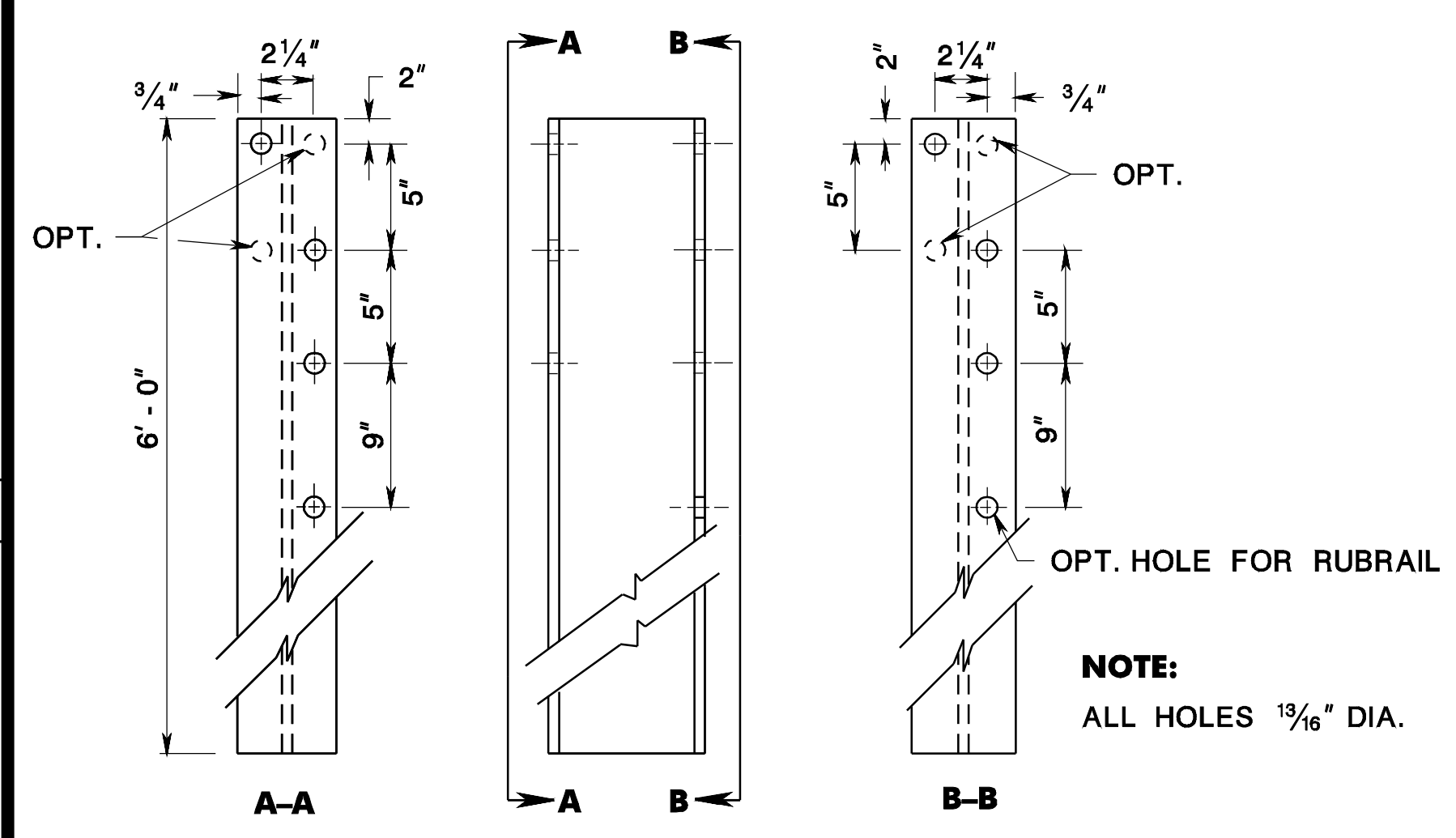


**5/8" DIA. BUTTON HEAD BOLT**

TYPE	L	MIN. THREAD LENGTH
SPLICE	1 1/4"	FULL LENGTH THREAD
RAIL	9 1/2"	1 3/4"



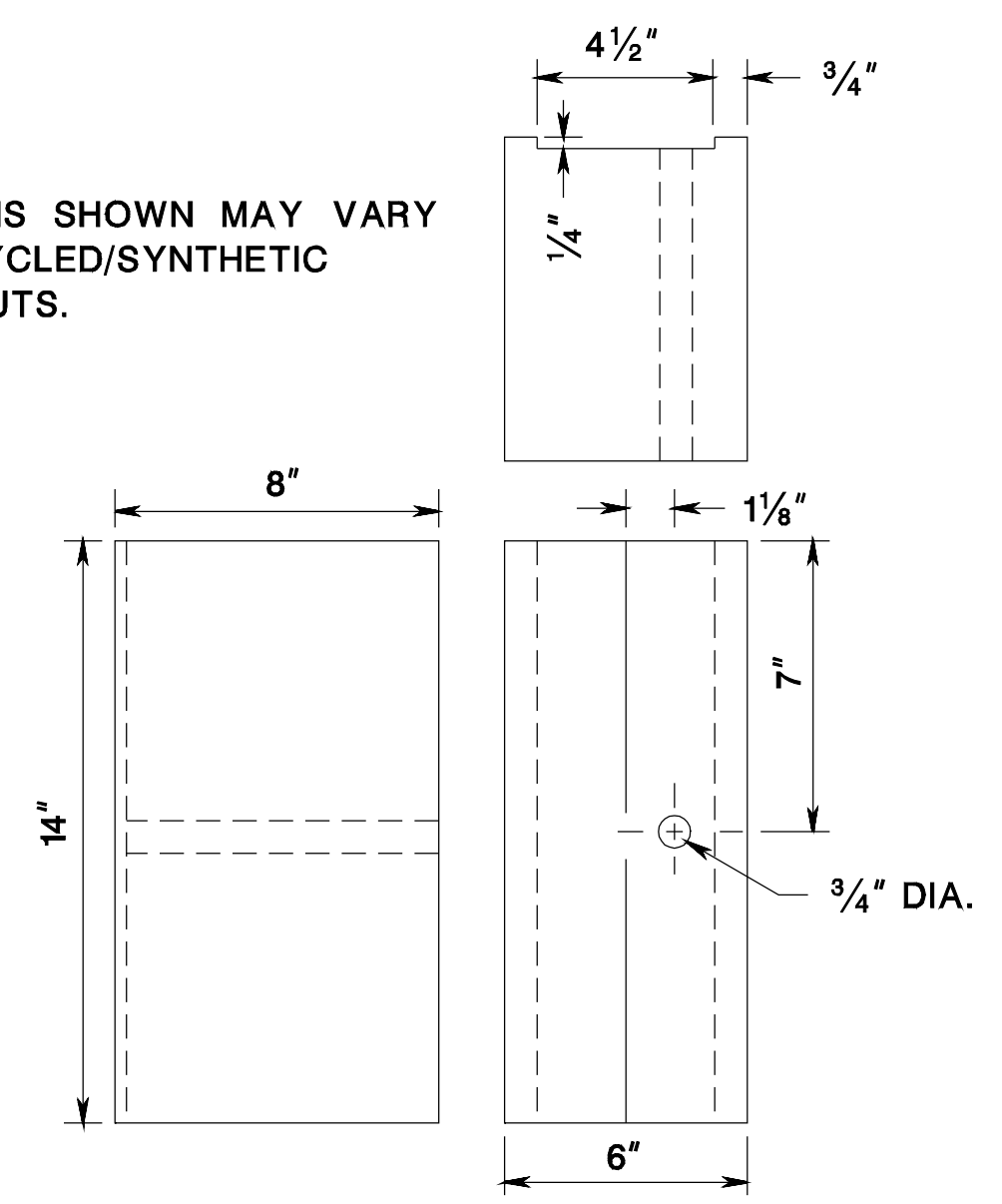
**5/8" DIA. RECESS NUT SPLICE & RAIL NUT & BOLT**



**6' POST**

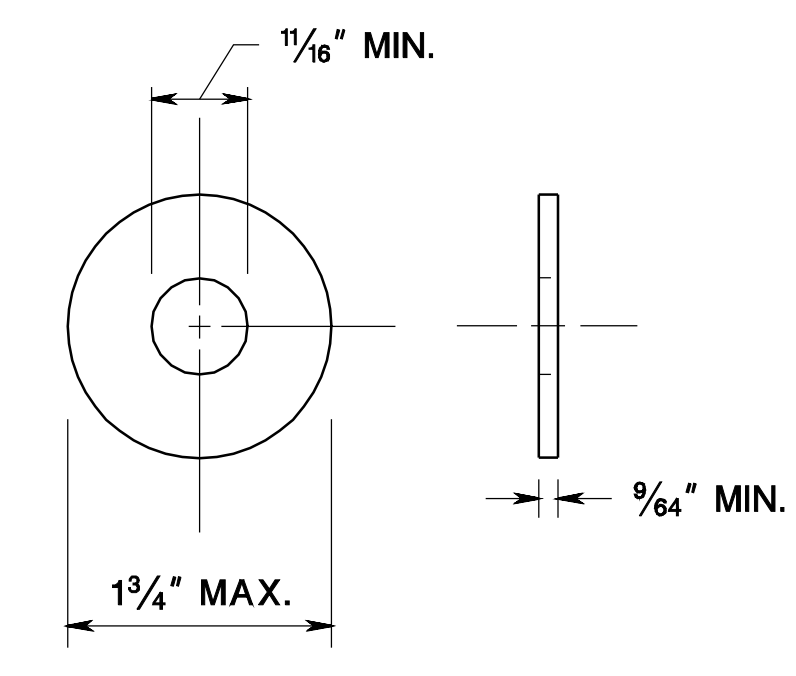
6" x 4" Steel, 8.5# or 9# per FOOT

**NOTE:** DIMENSIONS SHOWN MAY VARY FOR RECYCLED/SYNTHETIC BLOCK OUTS.



**14" BLOCK OUT**

APPROVED RECYCLED/SYNTHETIC MATERIALS



**STEEL WASHER**

**GENERAL NOTES:**

- ALL DIMENSIONS ARE SUBJECT TO MANUFACTURING TOLERANCES.
- RAIL ELEMENTS SHALL BE FURNISHED SHOPCURVED, CONCAVE OR CONVEX, FOR RADII BETWEEN 20 AND 150 FEET.
- THE STEEL FOR RAIL ELEMENTS AND BOLTS SHALL CONFORM TO NJDOT STANDARD SPECIFICATIONS AND ITS AMENDMENTS.

**BEAM GUIDE RAIL N.T.S.**

NEW JERSEY DEPARTMENT OF TRANSPORTATION

**CONSTRUCTION DETAILS**

CD-609-1

CD-609-1.1