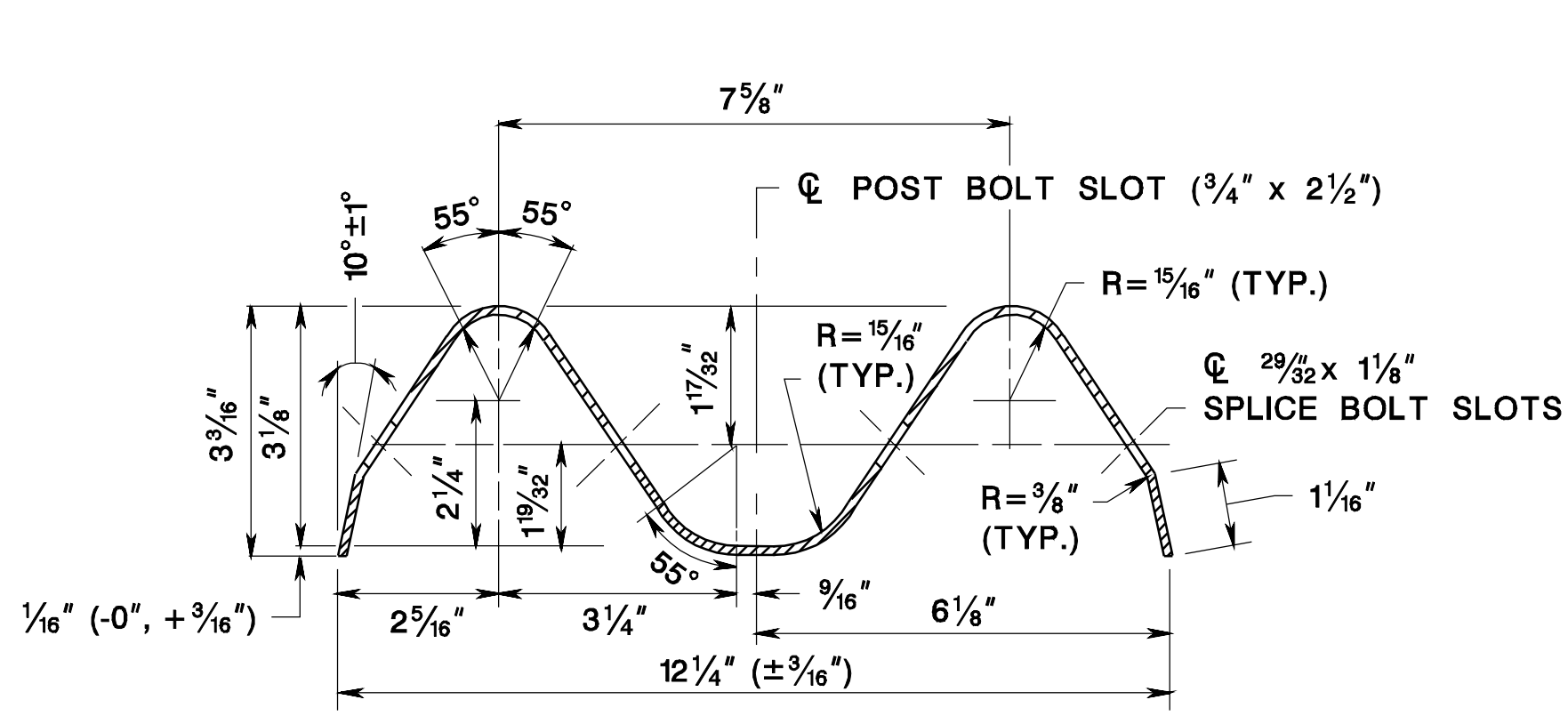
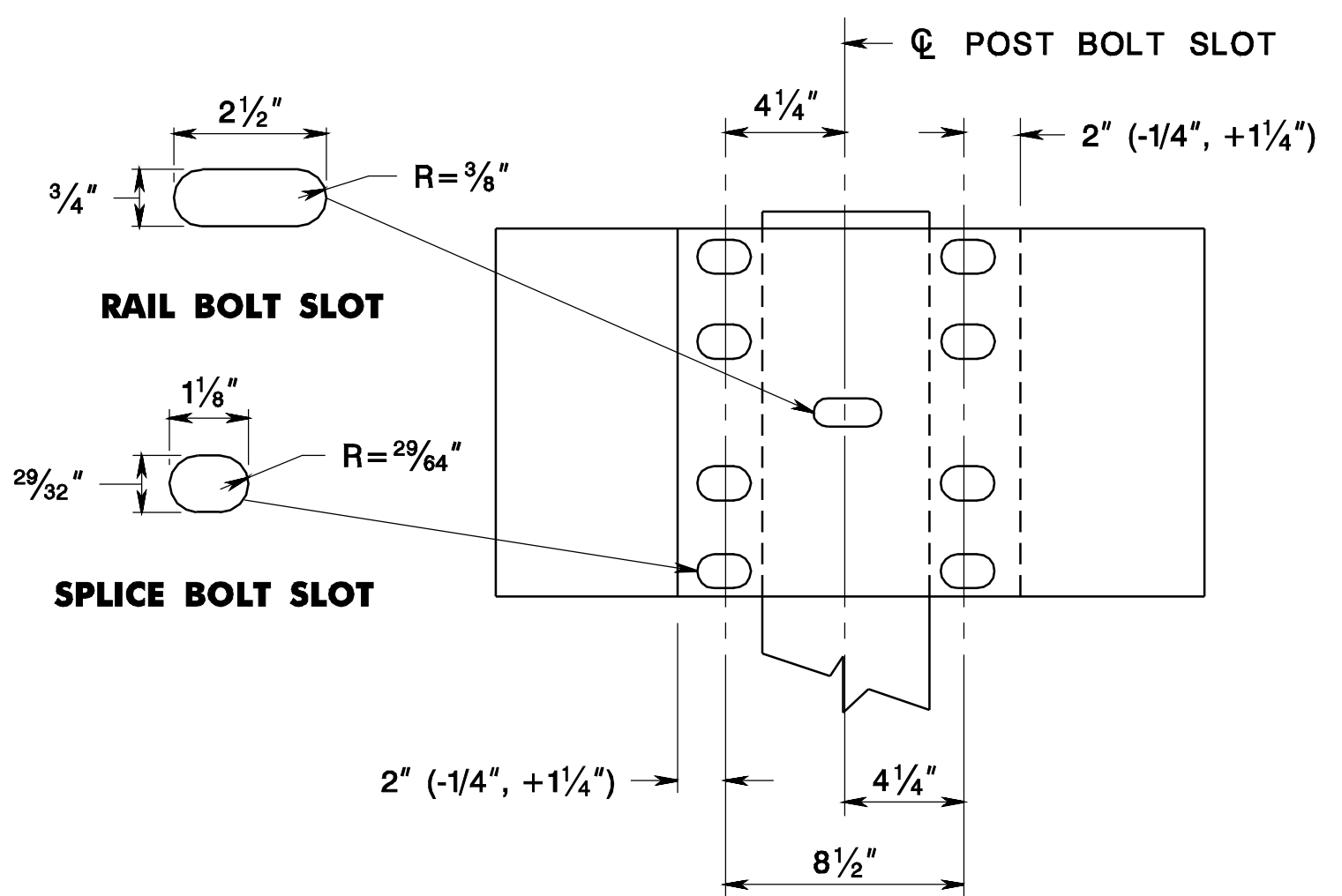


pen table= \\N\jdotprjws\vsystem\N\DOTWWS\Projects\NJDOTEng\Plot\TBLS\Roadway\basic.tbl
 scale=30.0000000:1.0000000
 date=17-DEC-2007 09:46
 ID=TPXBHAY
 BDC0703-ORIGINAL SHEET

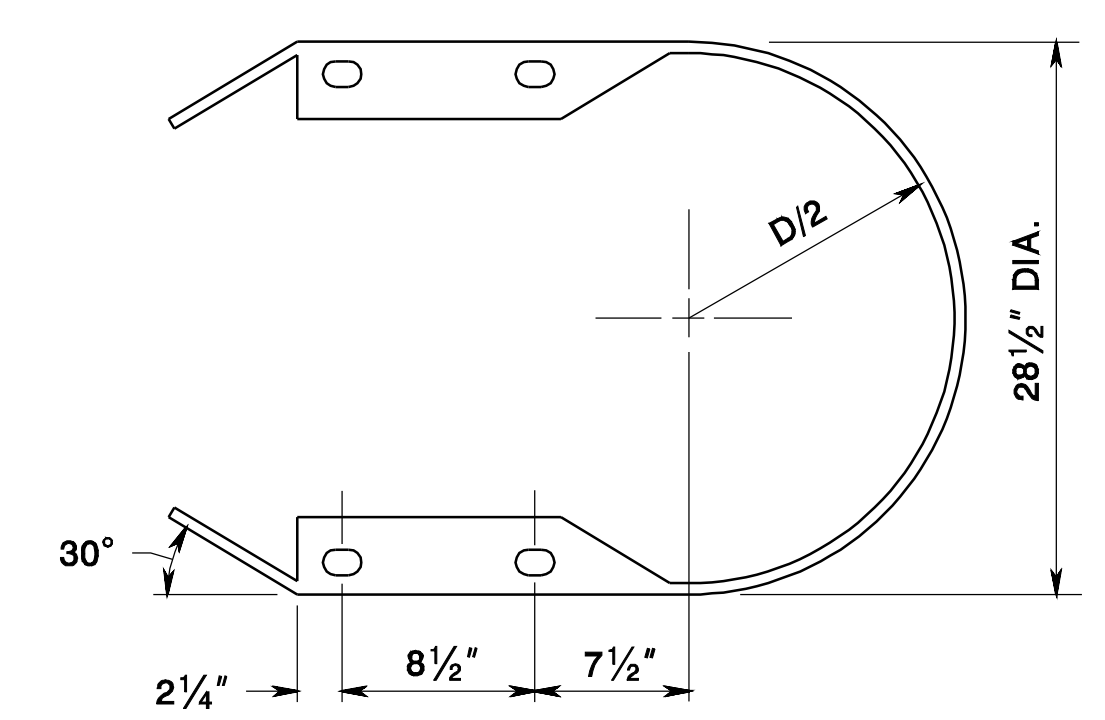


RAIL ELEMENT SHALL BE SUPPLIED IN LENGTHS OF 13'-6 1/2" OR 26'-1/2"

W-BEAM RAIL ELEMENT

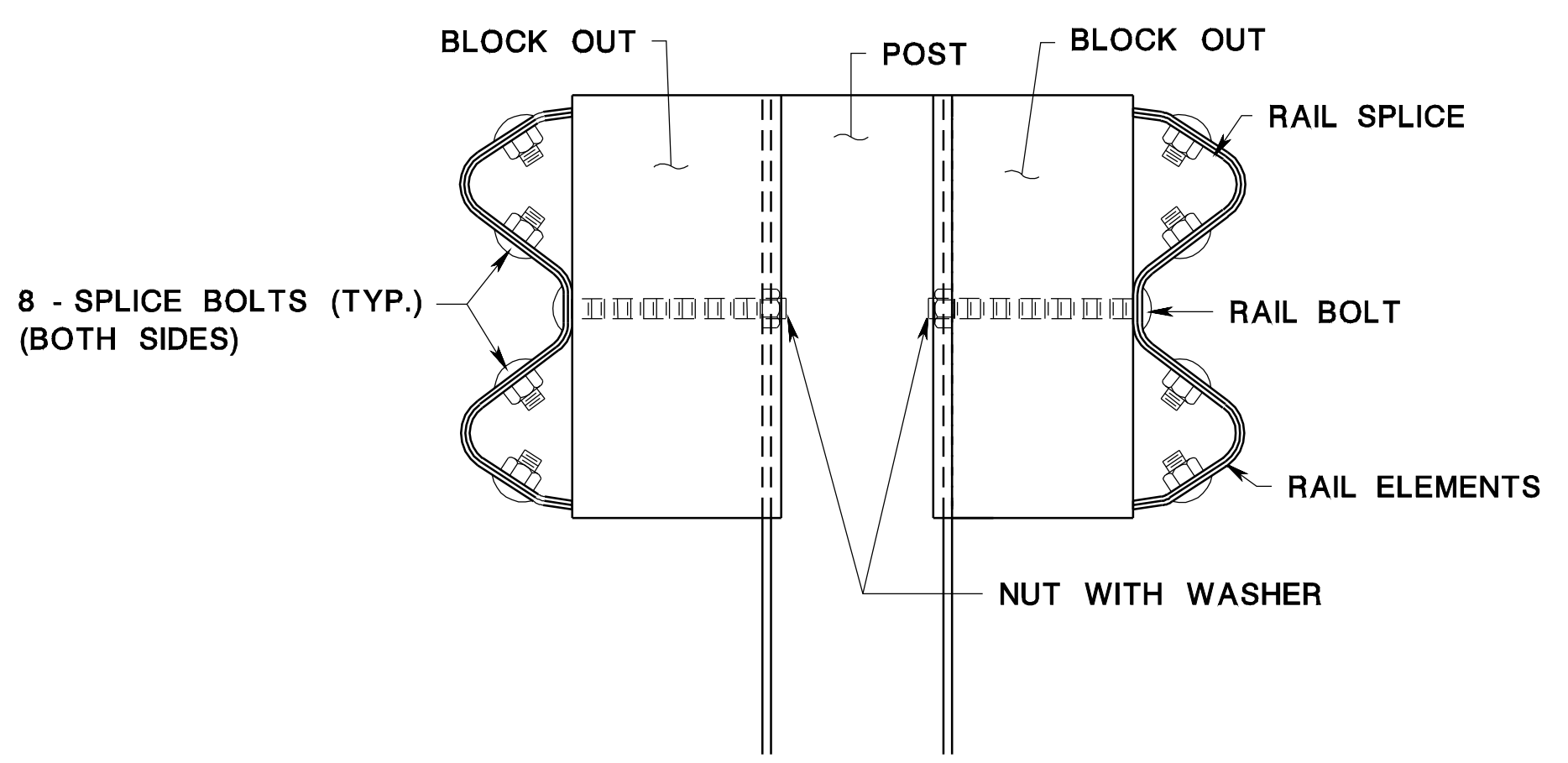


RAIL SPLICE

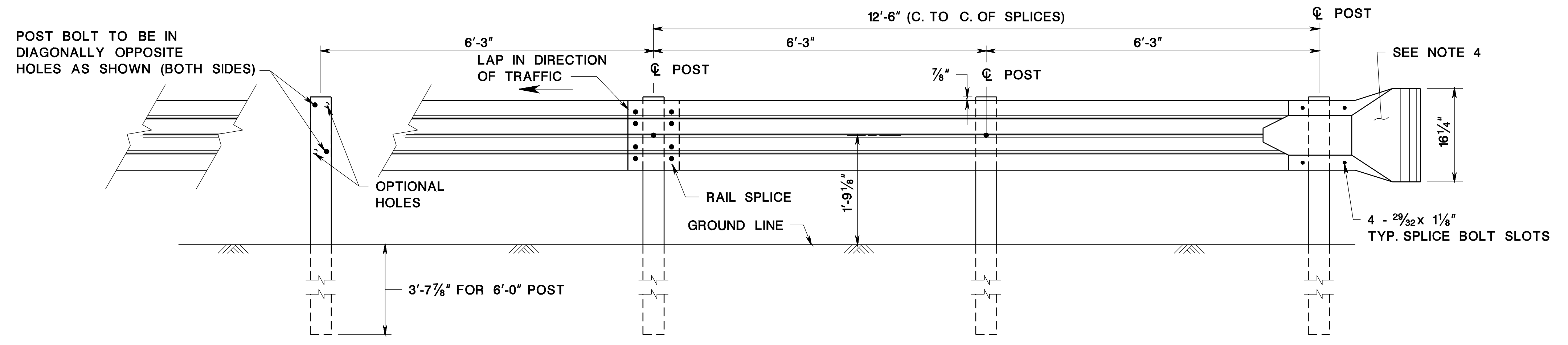


END SECTION (BUFFER)

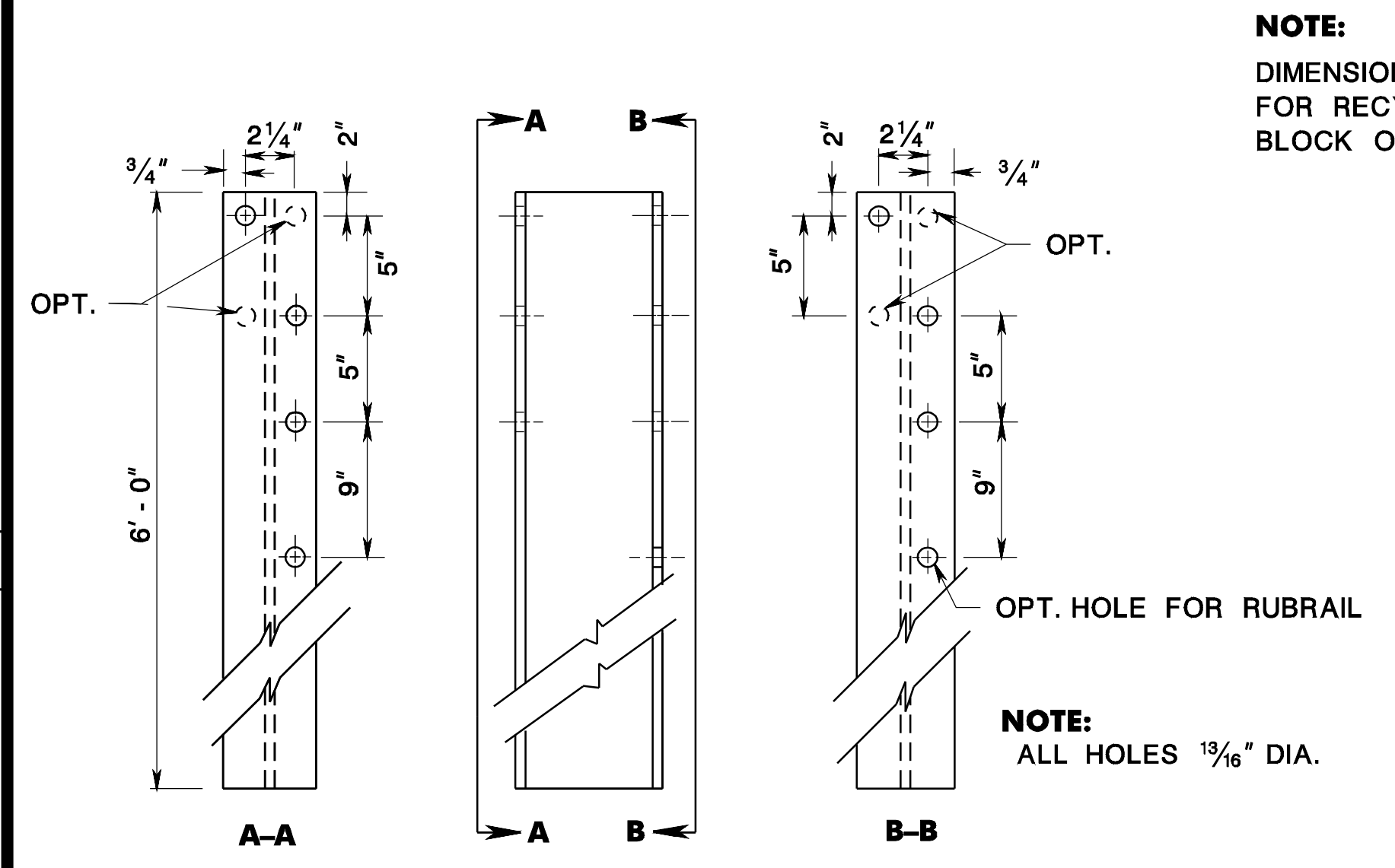
- GENERAL NOTES:**
1. ALL DIMENSIONS ARE SUBJECT TO MANUFACTURING TOLERANCES.
 2. RAIL ELEMENTS SHALL BE FURNISHED SHOPCURVED, CONCAVE OR CONVEX. FOR RADI BETWEEN 20 FEET AND 150 FEET.
 3. THE STEEL FOR RAIL ELEMENTS AND BOLTS SHALL CONFORM TO NJDOT STANDARD SPECIFICATIONS AND IT'S AMENDMENTS.
 4. USE END SECTION (BUFFER) UNLESS THE CONSTRUCTION PLANS CALL FOR ANOTHER TYPE OF END TREATMENT.



POST ASSEMBLY, DUAL-FACED



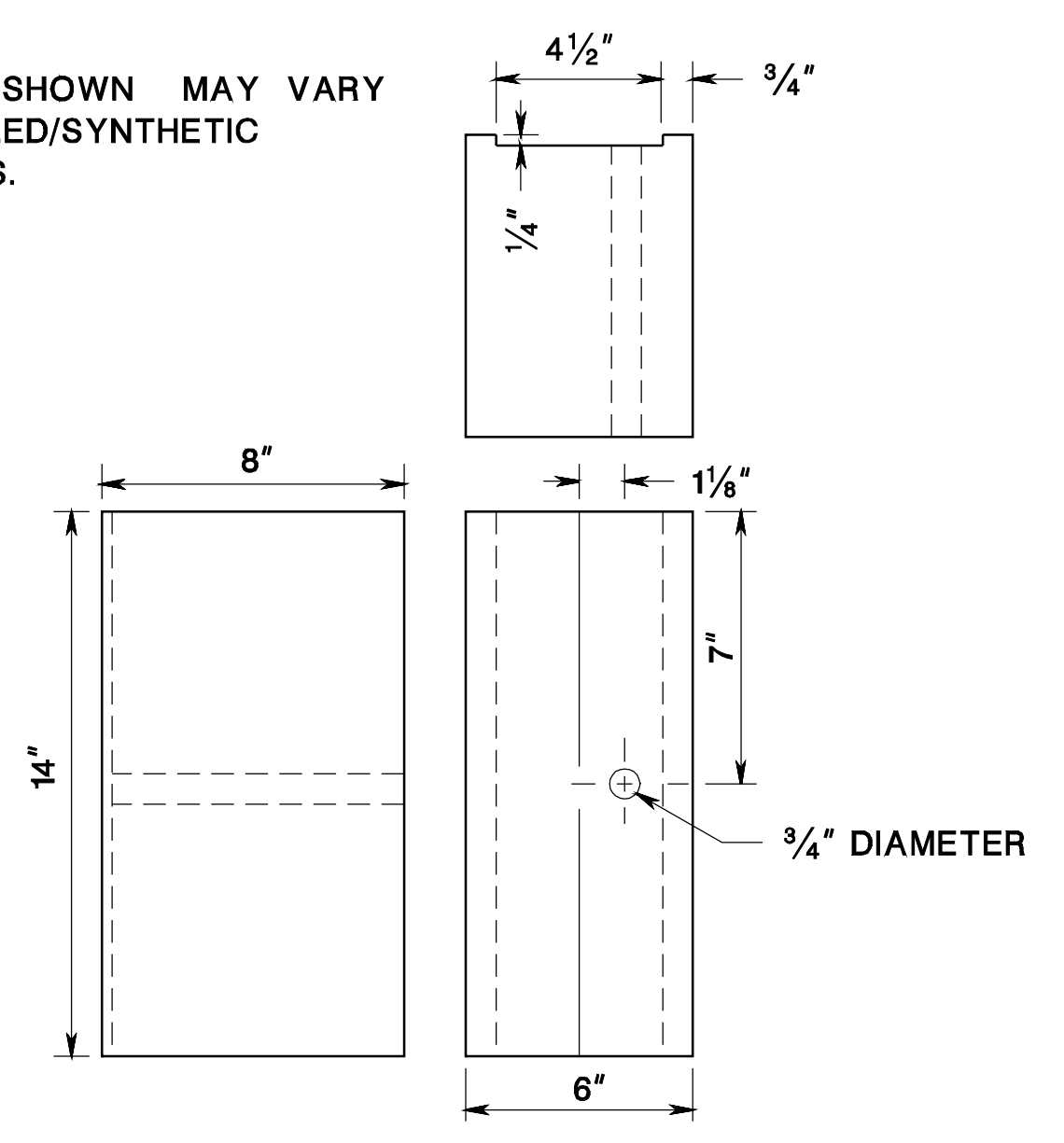
BEAM GUIDE RAIL, DUAL-FACED



6" x 4" STEEL I, 8.5# OR 9# PER FOOT

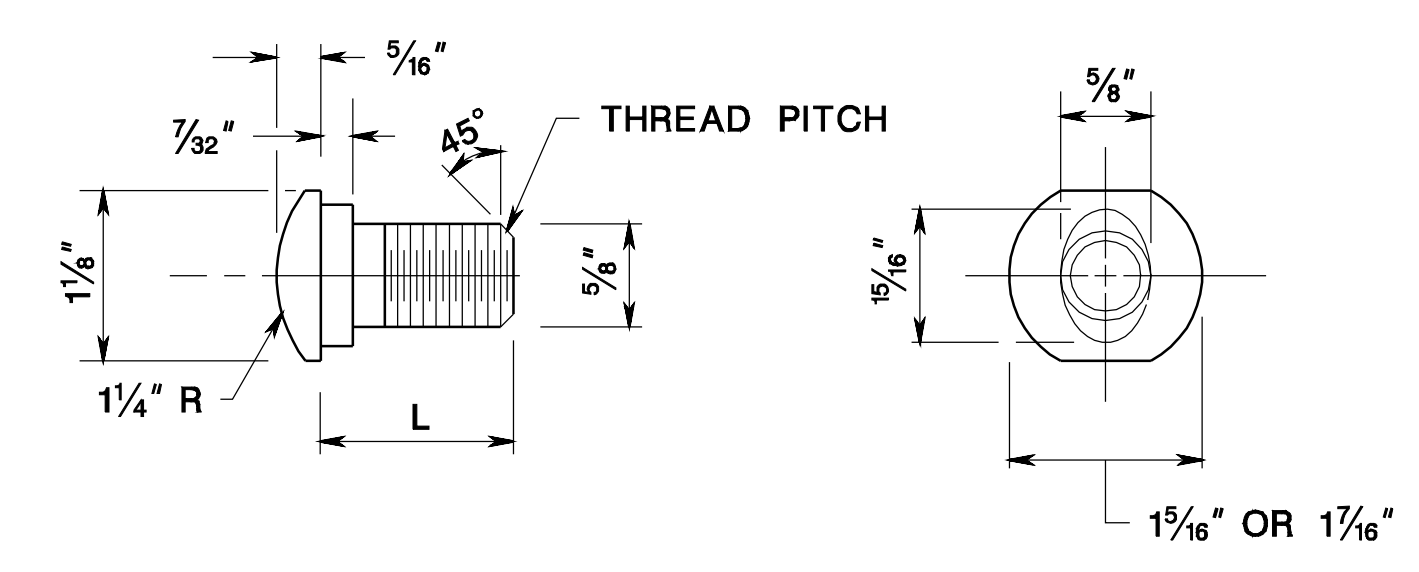
6' POST

NOTE:
 DIMENSIONS SHOWN MAY VARY FOR RECYCLED/SYNTHETIC BLOCK OUTS.



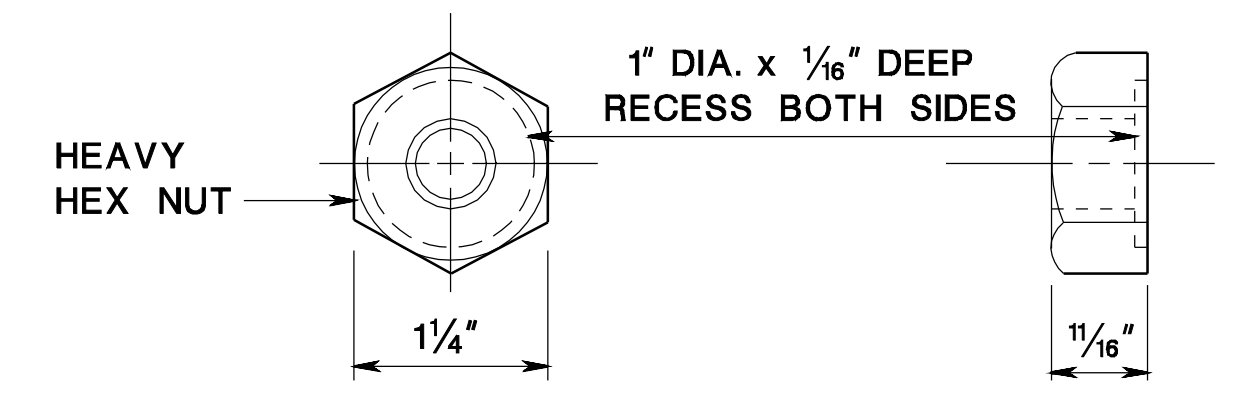
APPROVED RECYCLED/SYNTHETIC MATERIALS

14" BLOCK OUT

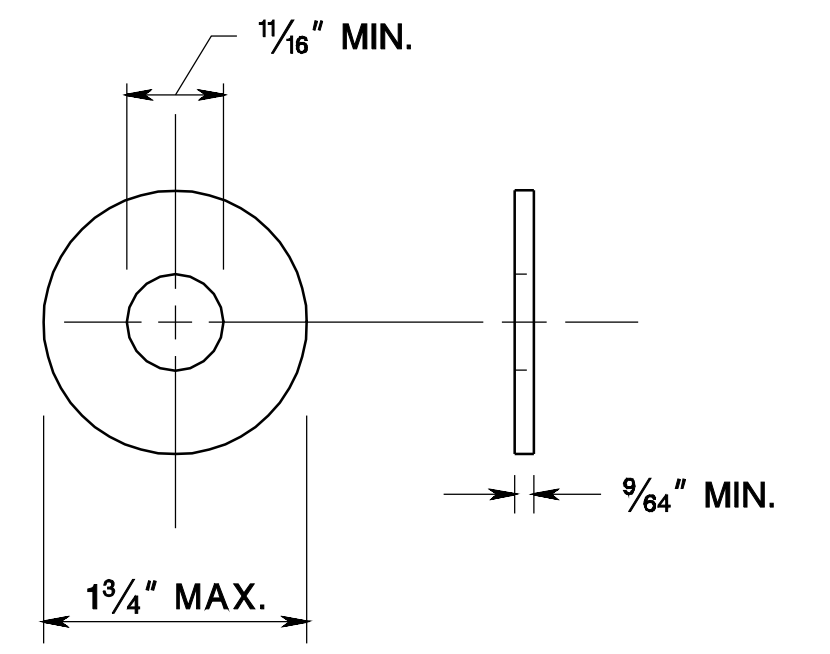


5/8" DIA. BUTTON HEAD BOLT

TYPE	L	MIN. THREAD LENGTH
SPLICE	1 1/4"	FULL LENGTH THREAD
RAIL	9 1/2"	1 3/4"



**5/8" DIA. RECESS NUT
 SPLICE & RAIL NUT & BOLT**



STEEL WASHER

BEAM GUIDE RAIL, DUAL-FACED

N.T.S.

NEW JERSEY DEPARTMENT OF TRANSPORTATION

CONSTRUCTION DETAILS

CD-609-2.1

CD-609-2