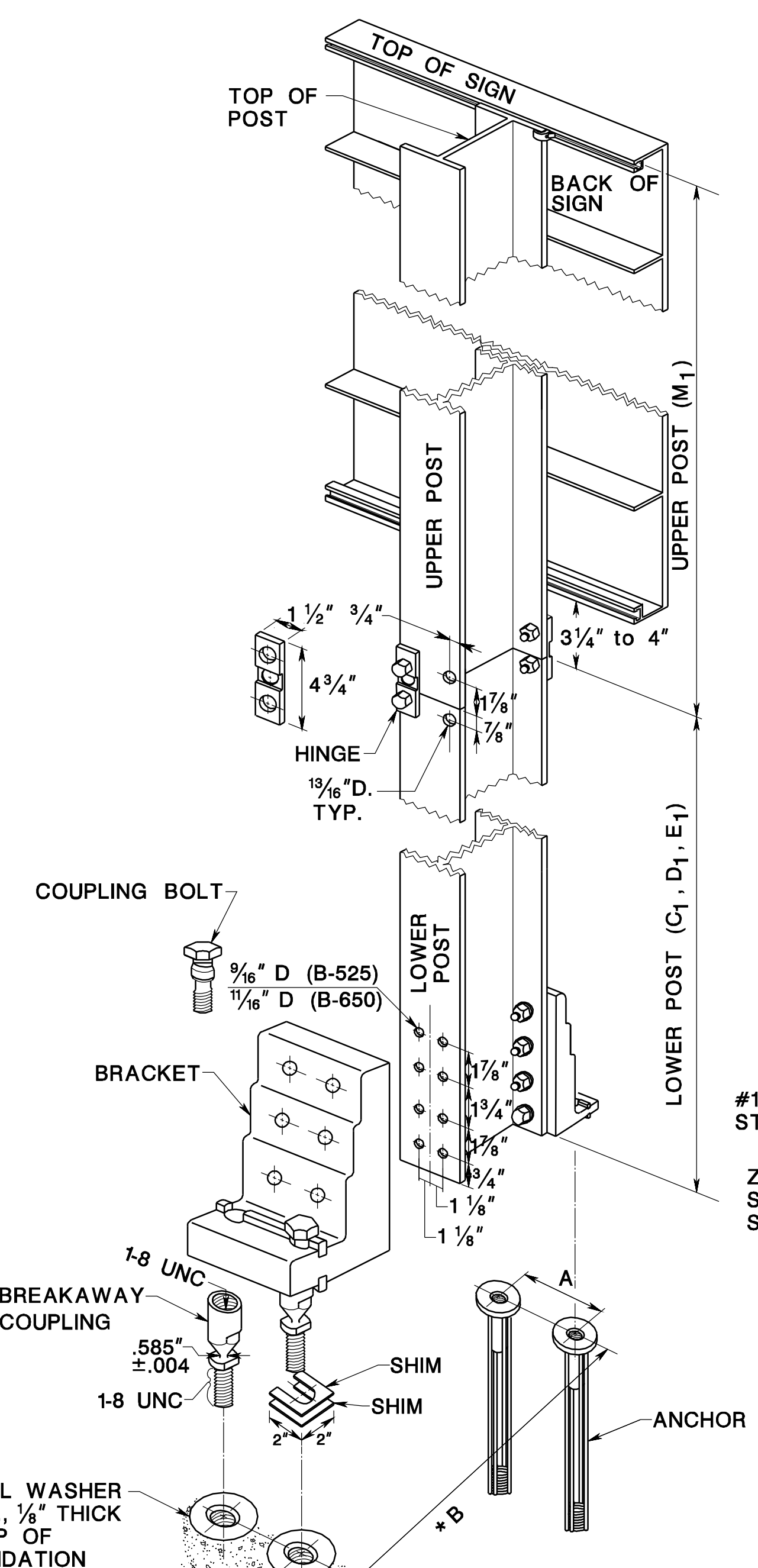
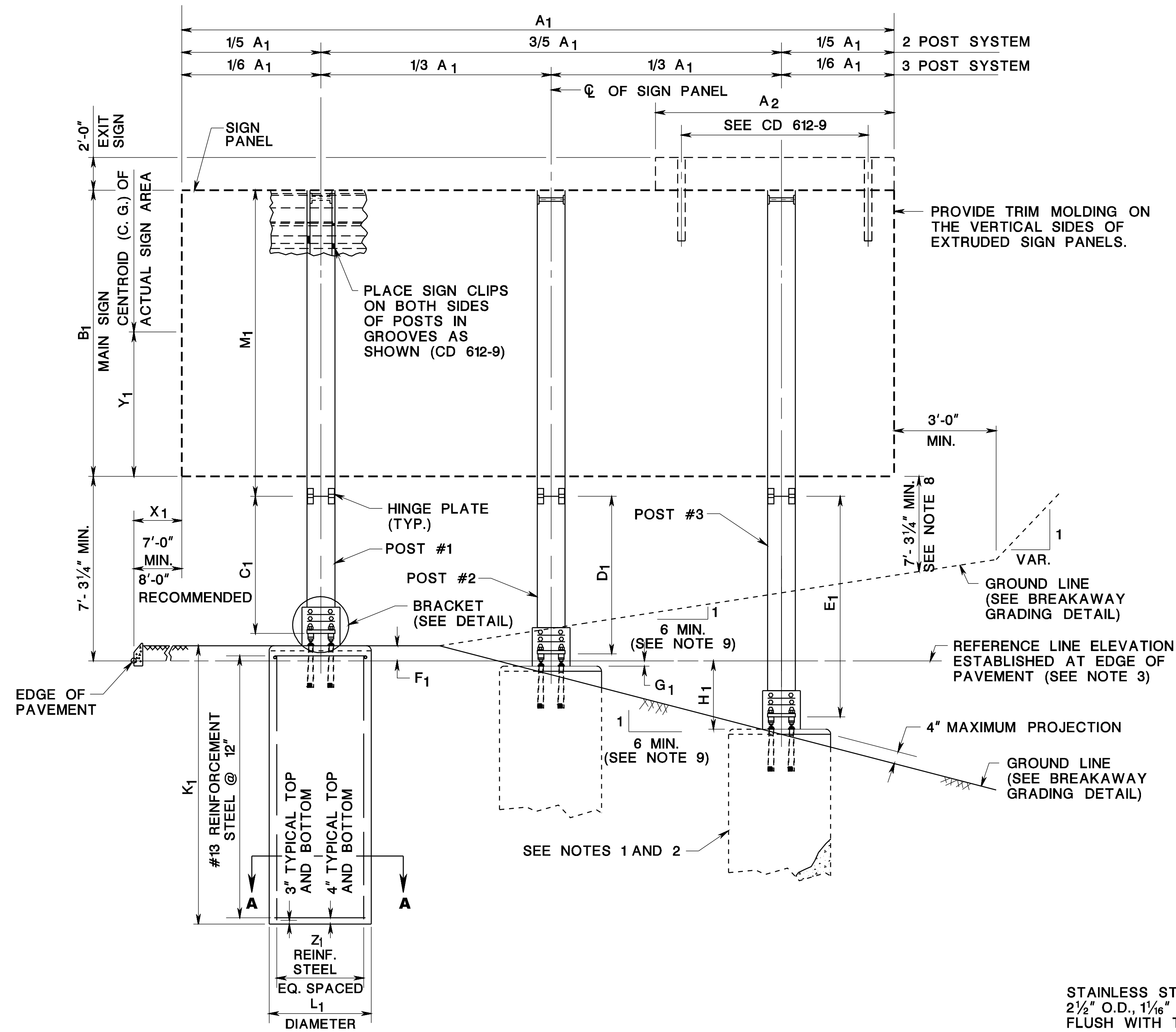


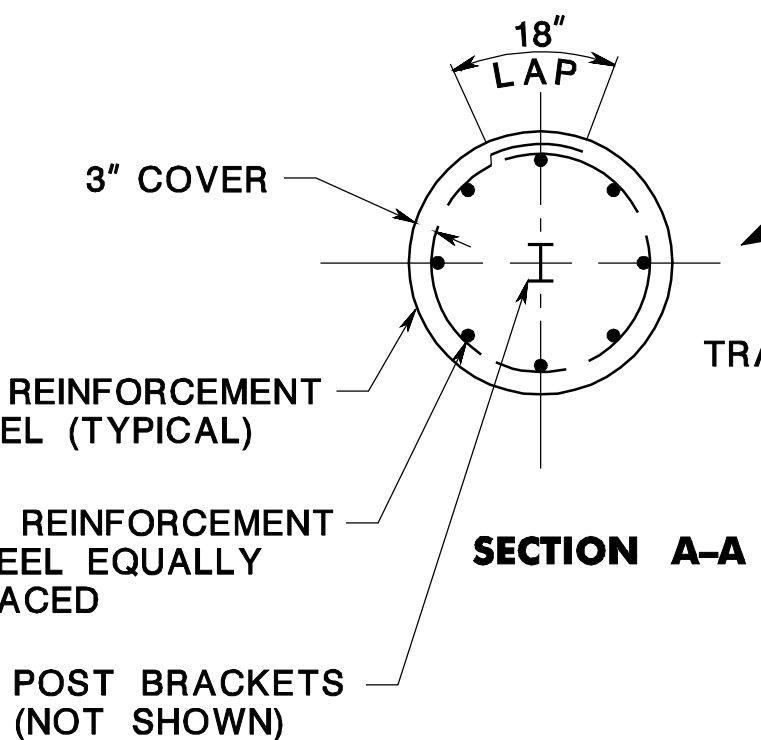
pen table = \\Njdotprva\8system\NjdotEng\pilot\TBLA\Roadway\dot.TBL
 scale = 30.0000001.000000
 date = 09-APR-2010 10:40
 ID = TFXDHA3
 BDC09D-02 BREAKAWAY SIGN SUPPORTS
 BDC09D-01 ORIGINAL SHEET



- GENERAL NOTES:**
- USE CLASS B CONCRETE IN ALL FOOTINGS, AS SPECIFIED IN SECTION 903 OF THE STANDARD SPECIFICATIONS.
 - ALL FOOTINGS SHALL BE PLACED AGAINST UNDISTURBED EARTH, EXCEPT FOR FOOTING TOPS WHICH SHALL BE FORMED TO A DEPTH OF 3 INCHES BELOW GROUND LINE.
 - TOPS OF FOOTINGS ABOVE REFERENCE LINE ARE INDICATED BY PLUS (+) VALUE, AND BELOW BY MINUS (-) VALUE.
 - UNUSUAL FOUNDATION CONDITIONS MAY REQUIRE RE-DESIGNING OF FOOTINGS AND SUCH CONDITIONS SHALL BE BROUGHT TO THE ATTENTION OF THE DEPARTMENT.
 - FOR Z1, L1 & K1, REFER TO CD-612-10 "SIGN SUPPORT DATA TABLE".
 - ALL POSTS SHALL BE GALVANIZED
 - BREAKAWAY GRADING DETAIL, FOOTING/STUB PROJECTION DETAIL, AND FOOTING BEVEL DETAIL, DO NOT APPLY TO SIGNS BEHIND GUIDE RAIL OR BEYOND THE CLEAR ZONE.
 - SIGN UNDERCLEARANCE AT FAR END OF SIGN IS 1 FOOT MINIMUM WHEN SIGN IS BEHIND GUIDE RAIL OR BEYOND THE CLEAR ZONE.
 - BACK SLOPE MAY BE 2H:1V MAXIMUM WHEN SIGN IS BEHIND GUIDE RAIL OR BEYOND CLEAR ZONE.

ANCHOR SPACING

A	(MODEL B525) = 3"
A	(MODEL B650) = 4"
B	(BRACKET No. 1) = DEPTH OF POST + 7 15/16"
B	(BRACKET No. 2) = DEPTH OF POST + 8 1/16"
B	(BRACKET No. 3) = DEPTH OF POST + 8 1/8"



REINFORCEMENT STEEL IS IN METRIC UNITS

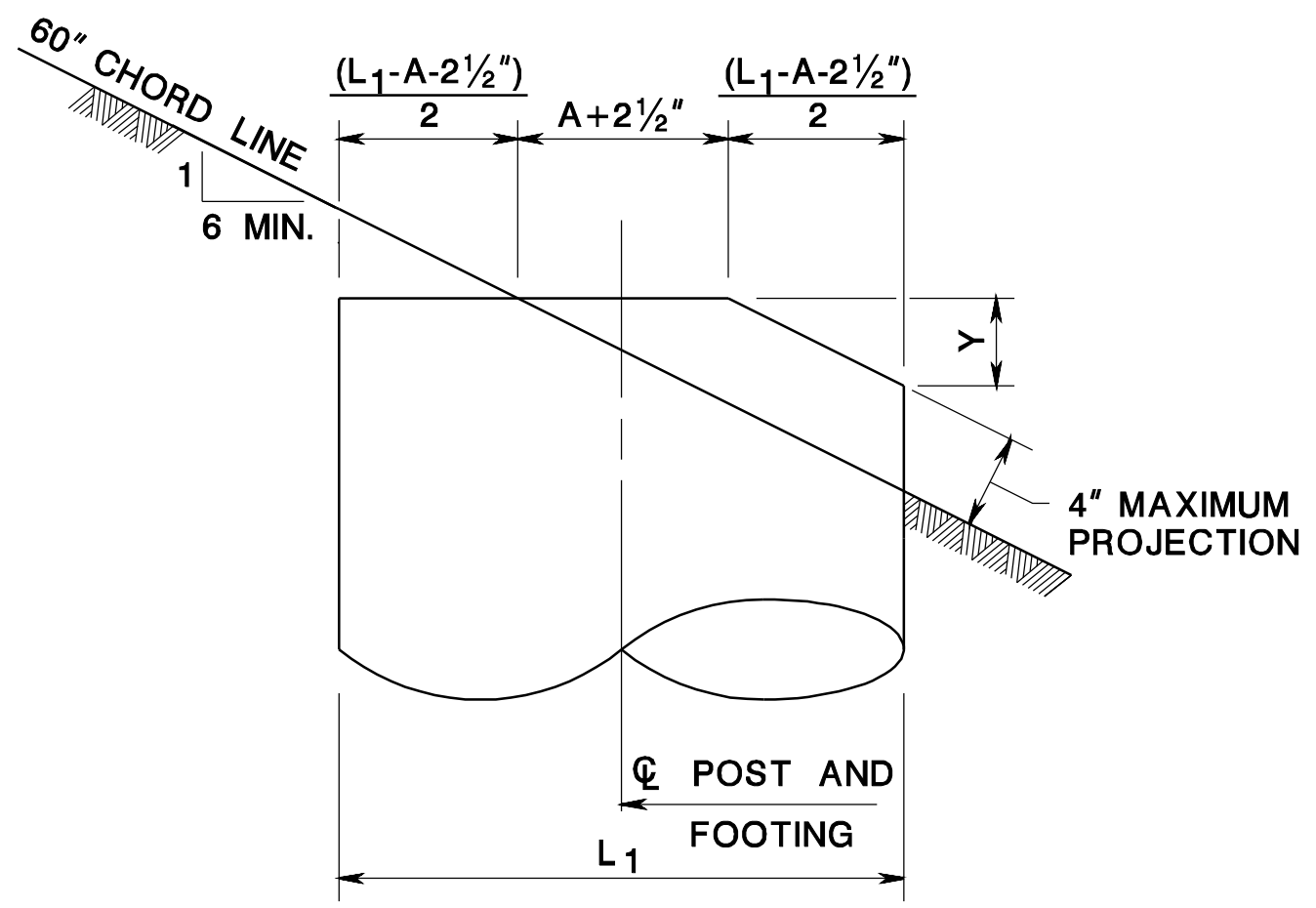
BREAKAWAY SIGN SUPPORTS FOR GROUND MOUNTED SIGNS

N.T.S.

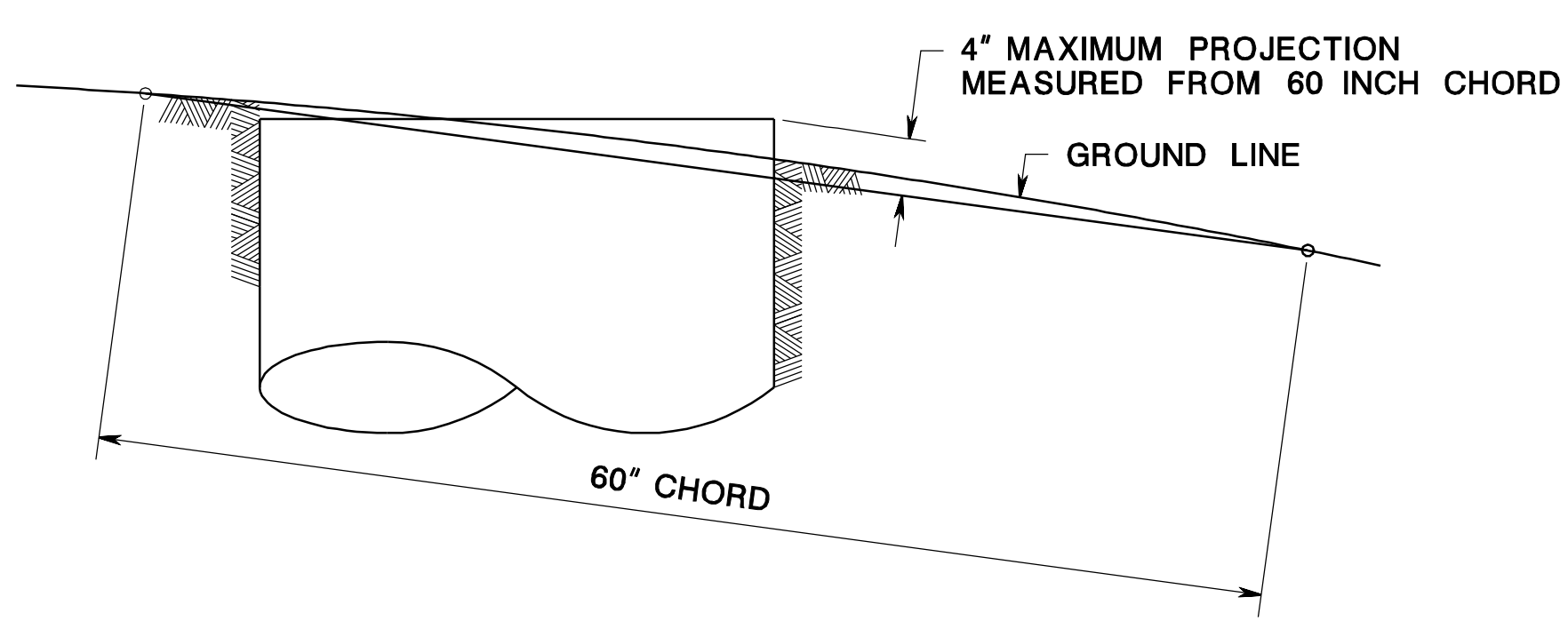
CD-612-7

NEW JERSEY DEPARTMENT OF TRANSPORTATION

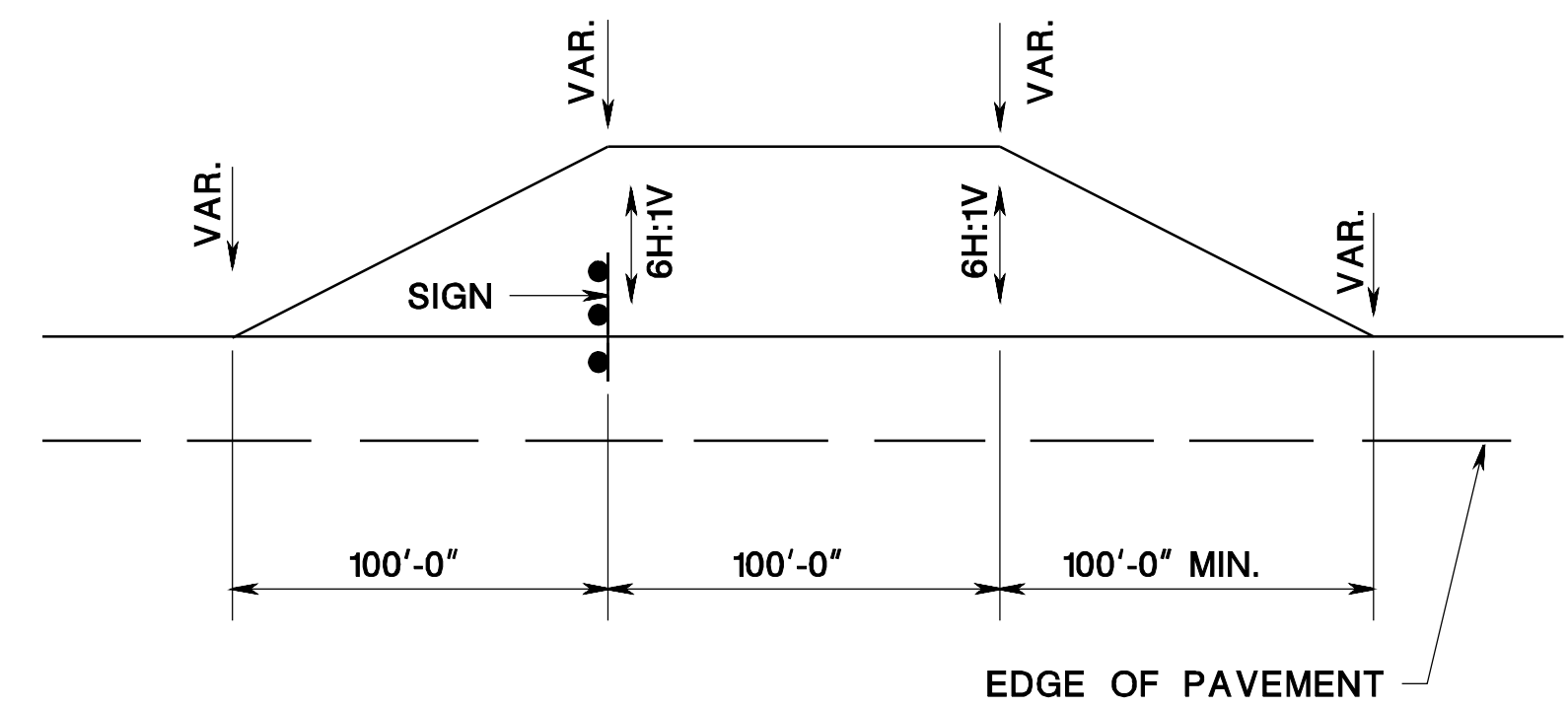
CONSTRUCTION DETAILS



(BEND REINFORCEMENT STEEL TO FIT)
FOOTING BEVEL DETAIL (SEE NOTE 7)



FOOTING/STUB PROJECTION DETAIL (SEE NOTE 7)



BREAKAWAY GRADING DETAIL (SEE NOTE 7) (PLAN VIEW)

CD-612-7.1