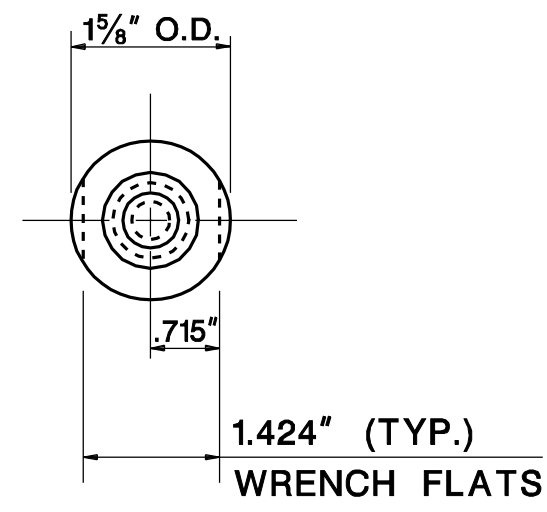


BRACKET No.	E (IN.)
1	0.100
2	0.150
3	0.200

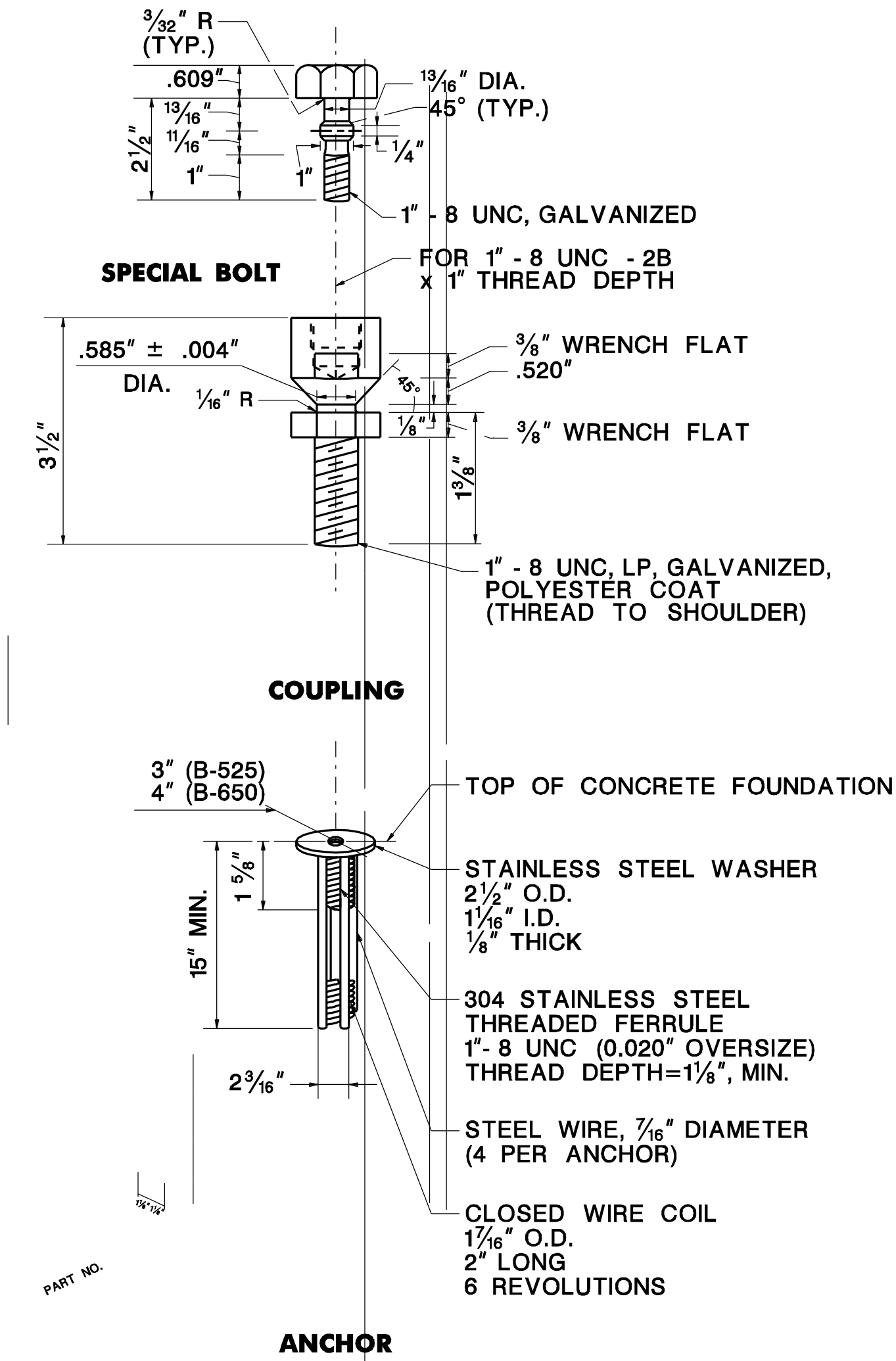


BOLTS, LOCK WASHERS, NUTS & CAP SCREWS

- MODEL 525**
- ① 1/2" - 13 UNC x 2 1/2" HEX HEAD BOLT, GALVANIZED
 - ② 1/2" - 13 UNC x 2 3/4" HEX HEAD BOLT, GALVANIZED
 - ③ 1/2" - 13 UNC x 3" HEX HEAD BOLT, GALVANIZED
 - ④ 1/2", ANSIB 18-21-1 LOCK WASHER, GALVANIZED
 - ⑤ 1/2" - 13 UNC, HEAVY HEX NUT, GALVANIZED
 - ⑥ 1/2" - 13 UNC x 1 1/4" HEX HEAD CAP SCREW, GALVANIZED

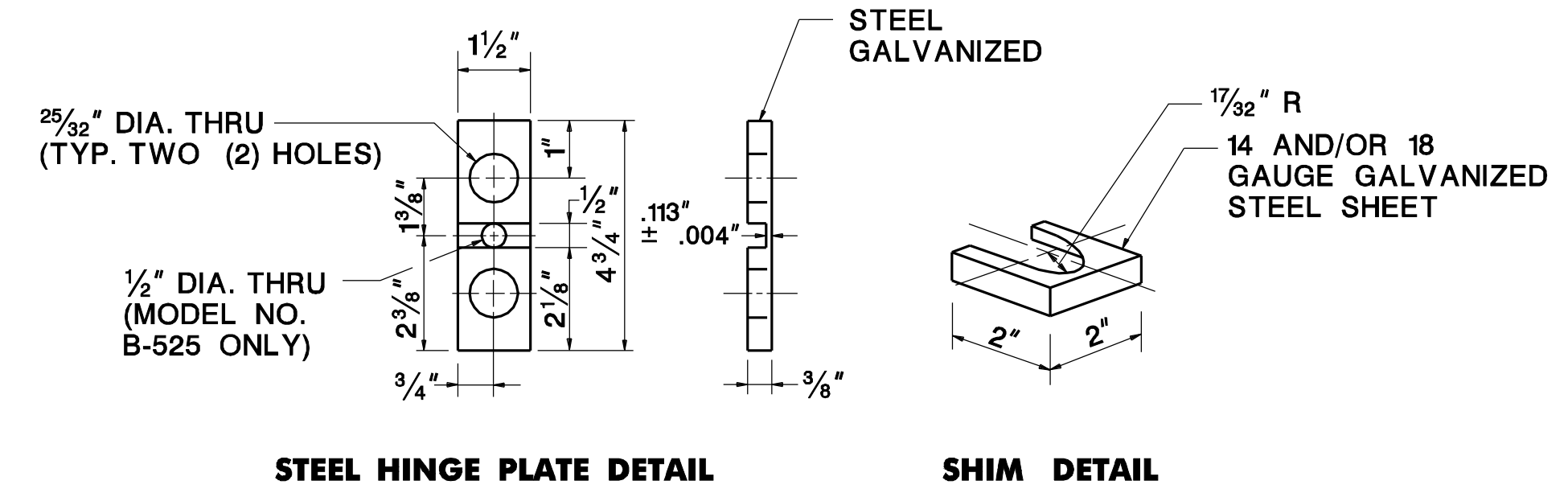
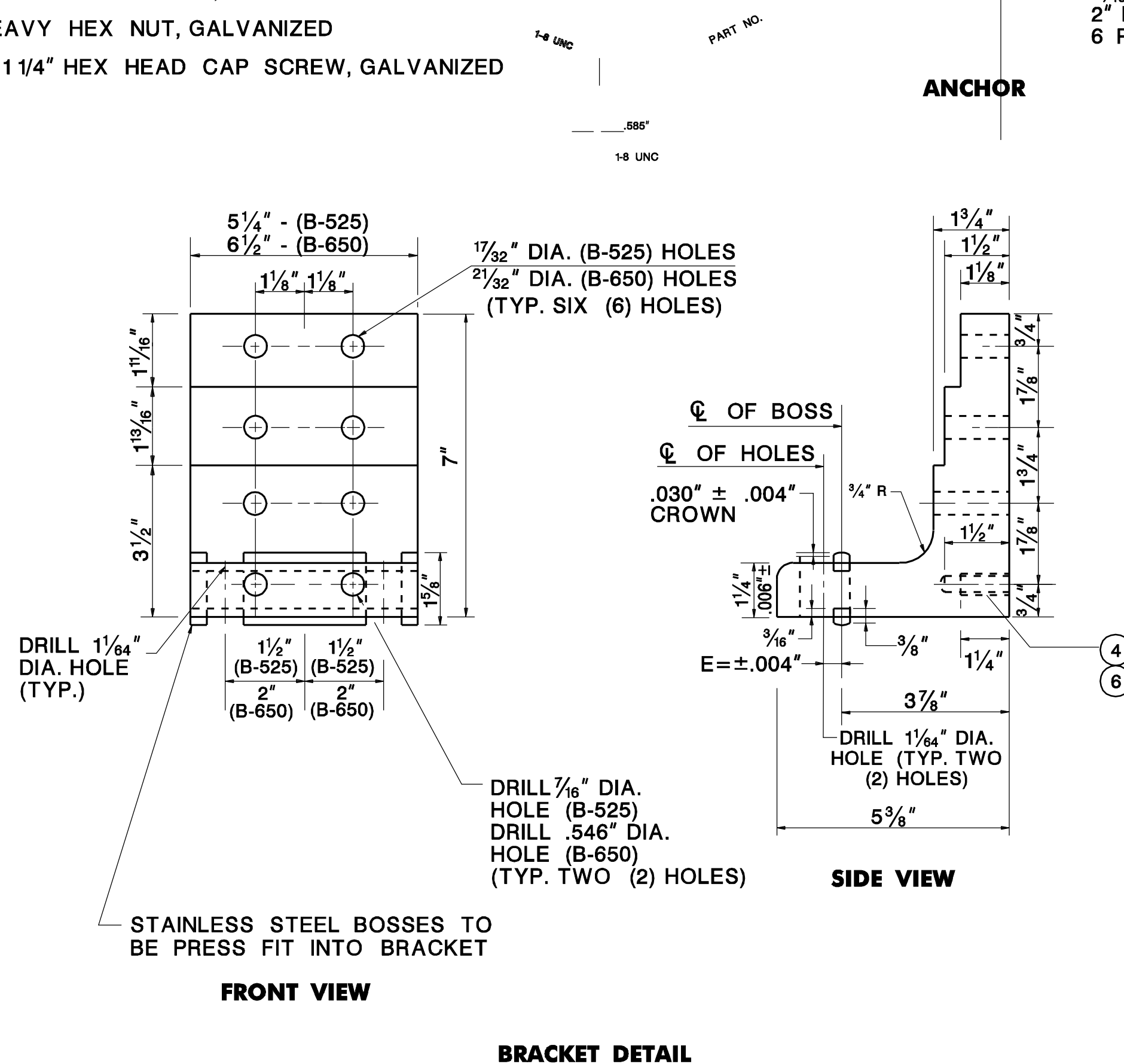
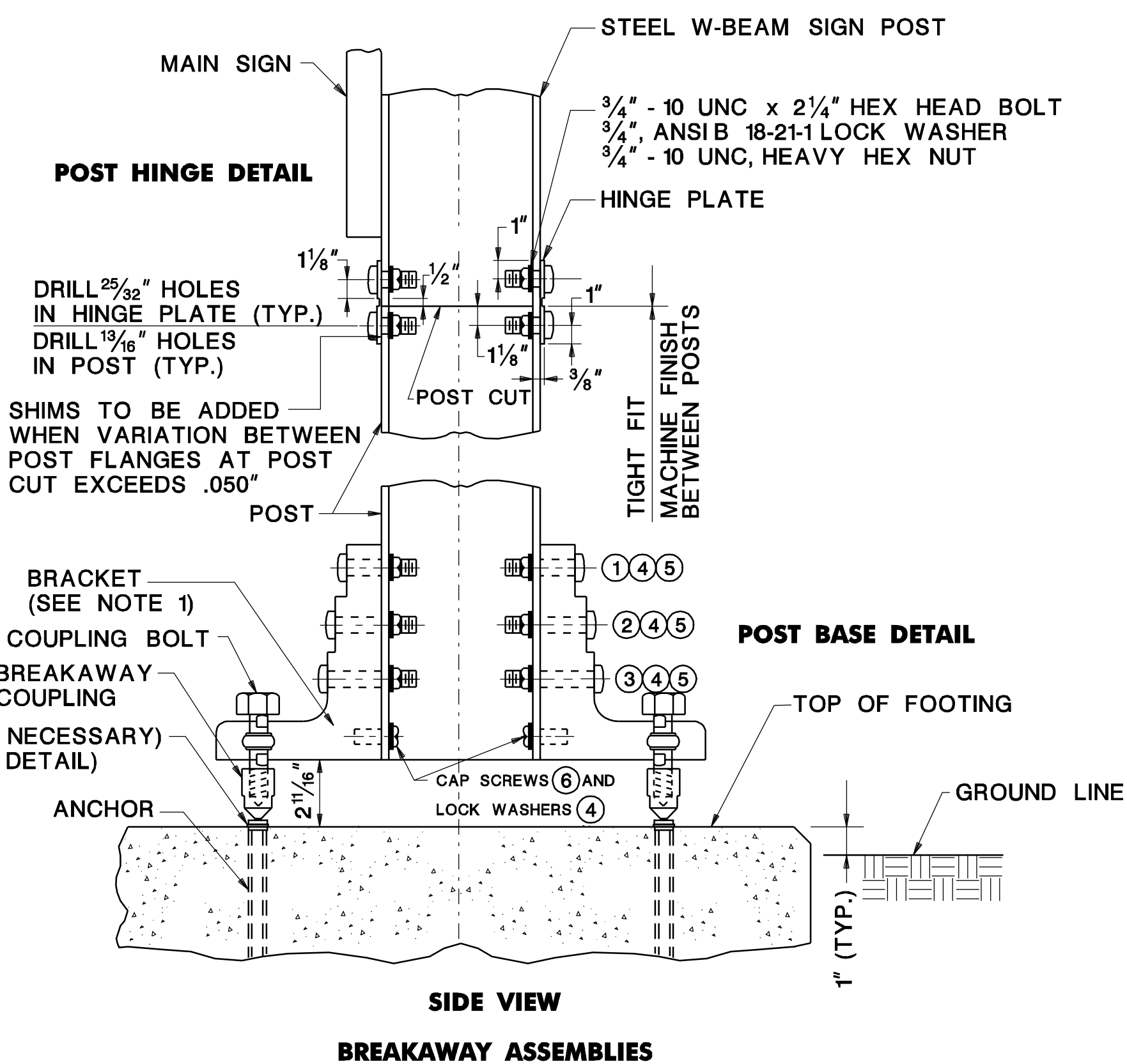
- MODEL 650**
- ① 5/8" - 11 UNC x 2 3/4" HEX HEAD BOLT, GALVANIZED
 - ② 5/8" - 11 UNC x 3" HEX HEAD BOLT, GALVANIZED
 - ③ 5/8" - 11 UNC x 3 1/4" HEX HEAD BOLT, GALVANIZED
 - ④ 5/8", ANSIB 18-21-1 LOCK WASHER, GALVANIZED
 - ⑤ 5/8" - 11 UNC, HEAVY HEX NUT, GALVANIZED
 - ⑥ 5/8" - 11 UNC x 1 1/4" HEX HEAD CAP SCREW, GALVANIZED

SPECIAL BOLT, ANCHOR & COUPLING DETAIL



NOTES:

1. THE BRACKET NUMBER SHALL BE STAMPED ON THE BRACKET.
2. BOLT THE BRACKETS TO POST. THEN PLACE POST AND CONNECTED BRACKET TO BREAKAWAY COUPLING.
3. ALL BOLTS TO BE TIGHTENED IN ACCORDANCE WITH THE MANUFACTURER'S SPECIFICATIONS.
4. DESIGNATION B-525 IS FOR 6" AND 8" BEAM SIZES.
5. DESIGNATION B-650 IS FOR 10", 12", 14", 16", 18" AND 21" BEAM SIZES
6. DO NOT PLACE TORQUE WRENCH ACROSS NECK OF COUPLING



BREAKAWAY SIGN SUPPORTS FOR GROUND MOUNTED SIGNS

N.T.S.

CD-612-8

NEW JERSEY DEPARTMENT OF TRANSPORTATION

CONSTRUCTION DETAILS

CD-612-8.1