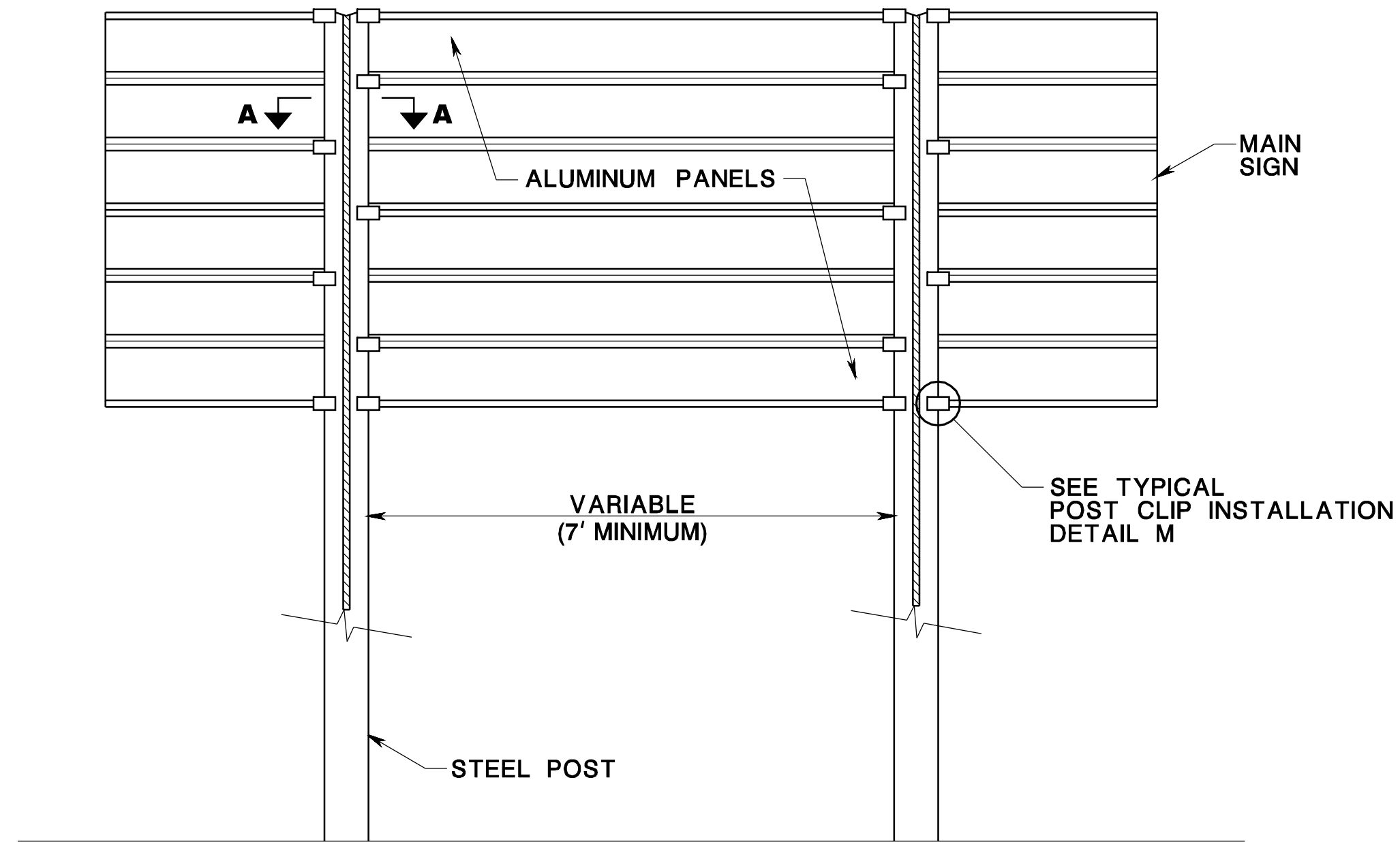
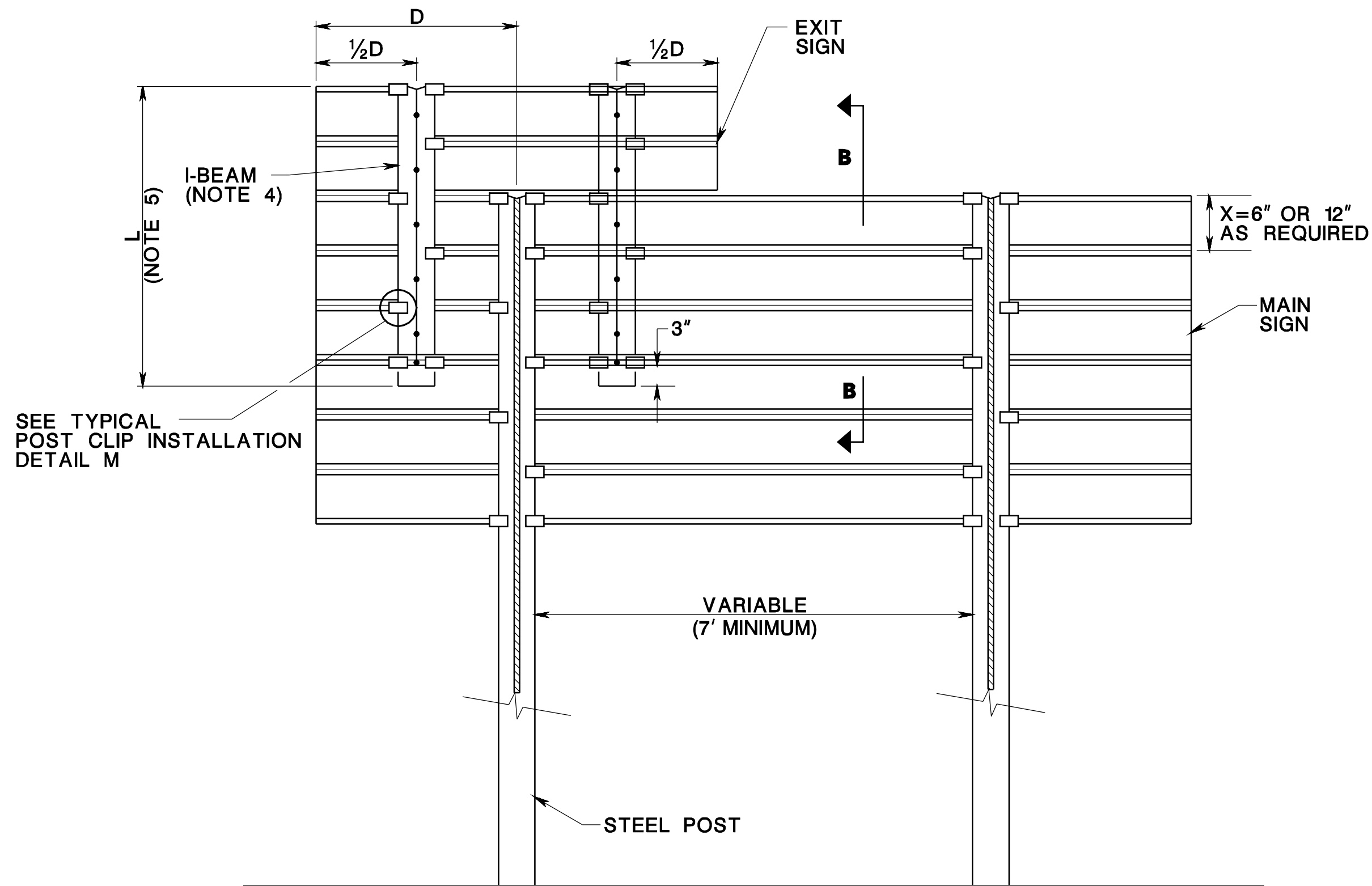


pen table= \\Njdotprjw\8system\NJDOT\TWS\Projects\NJDOTEng\Ipl\ot\TBLA\Roadway\dot.TBL  
 scale=30.000000:1.000000  
 date=09-APR-2010 10:41  
 ID=TTXOHA3  
 BDC09D-02 BREAKAWAY SIGN SUPPORTS  
 BDC09D-01 ORIGINAL SHEET



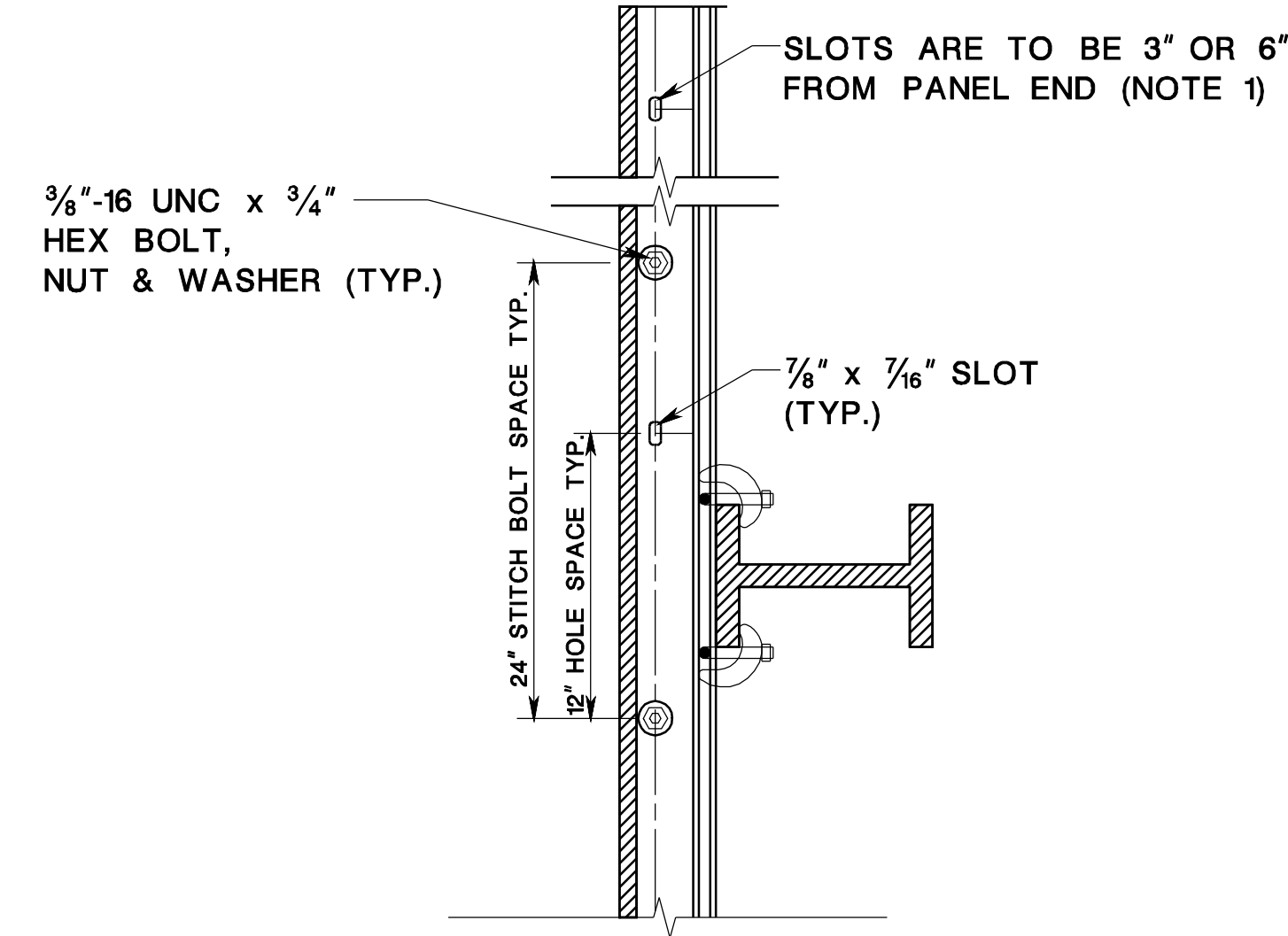
**SIGN WITHOUT EXIT SIGN**



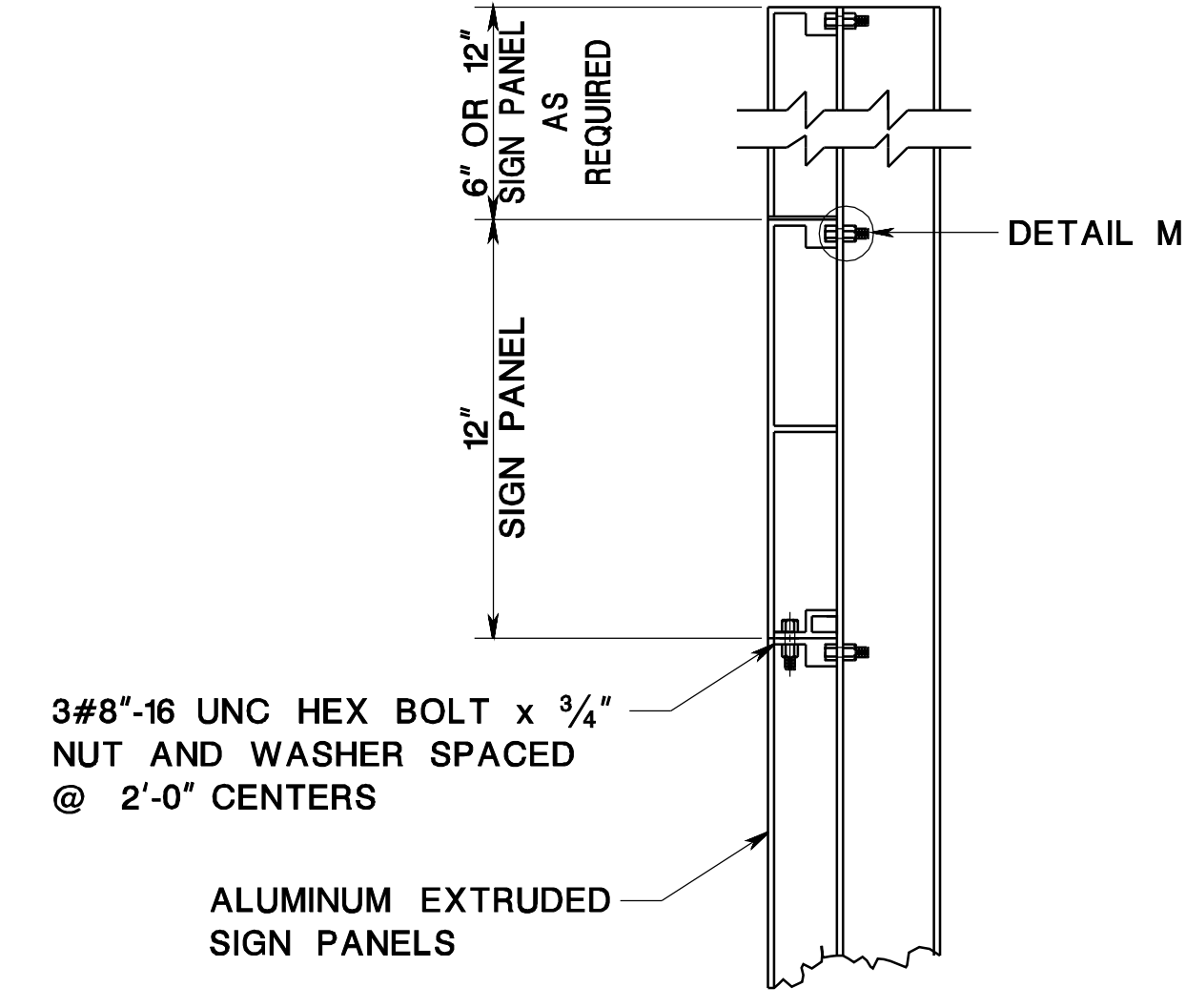
**SIGN WITH EXIT SIGN**

**GENERAL NOTES :**

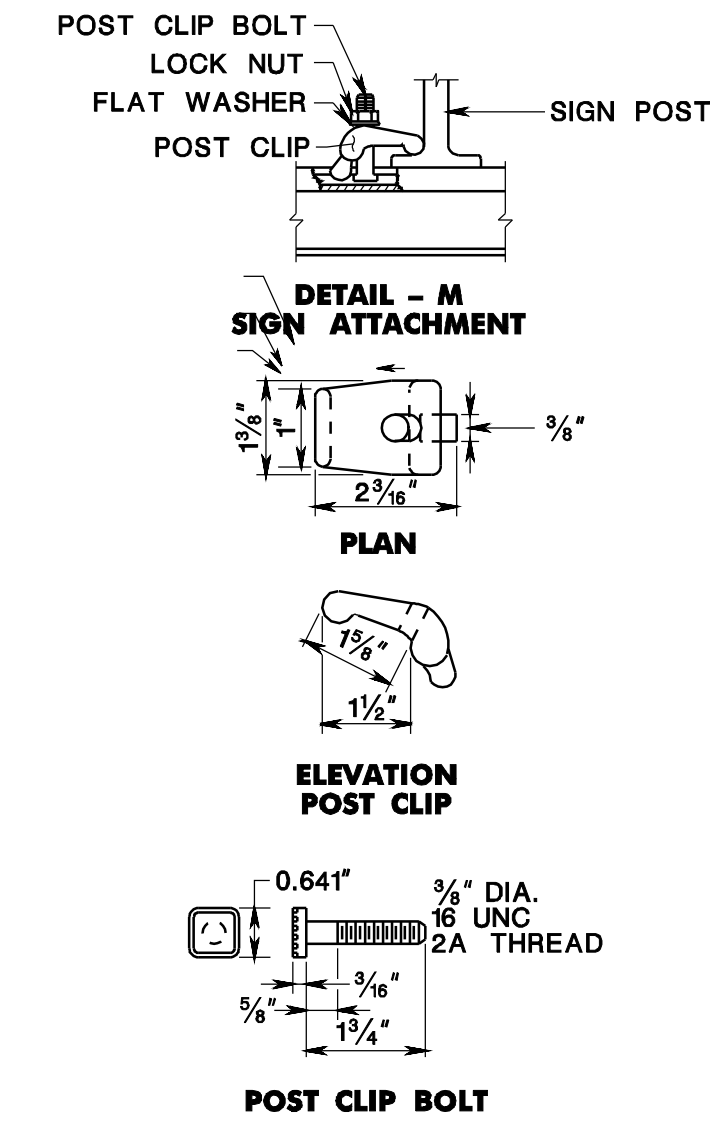
1. EXTRUDED SIGN PANEL SECTIONS SHALL BE BOLTED TOGETHER WITH 3/8"-16 UNC x 3/4" HEX BOLTS. A HEX BLOT SHALL BE INSTALLED IN THE FIRST HOLE FROM THE PANEL END AND AT 24" C TO C THERE AFTER.
2. INSTALL HEX BOLTS IN ACCORDANCE WITH NOTE 1 BETWEEN SIGN PANEL AND EXIT PANEL (WHEN PROVIDED)
3. EXIT SIGN SHALL BE PLACED ON EXIT SIDE OF SIGN MAIN.
4. ALUMINUM I-BEAM (DEPTH=4"), WEB THICKNESS=0.25", FLANGE THICKNESS=0.25", FLANGE WIDTH=3.5"
5. L=5'-3" WHEN X=12" AND L=4'-9" WHEN X=6"
6. SIGNS WITHOUT EXIT SIGNS OR SIGNS WITH PARTIAL WIDTH EXIT SIGNS SHALL BE PROVIDED WITH I-BEAM EXTENDING TO THE TOP OF THE MAIN SIGN AS SHOWN. THE UPPER POST SHALL BE EXTENDED TO THE TOP OF THE EXIT SIGN WHEN FULL WIDTH EXIT SIGNS ARE EMPLOYED.



**SECTION A-A**



**SECTION B-B**  
(EXIT PANEL NOT SHOWN IN SECTION B-B)



**BREAKAWAY SIGN SUPPORTS FOR GROUND MOUNTED SIGNS**

N.T.S.

NEW JERSEY DEPARTMENT OF TRANSPORTATION

**CONSTRUCTION DETAILS**

CD-612-9.1

CD-612-9