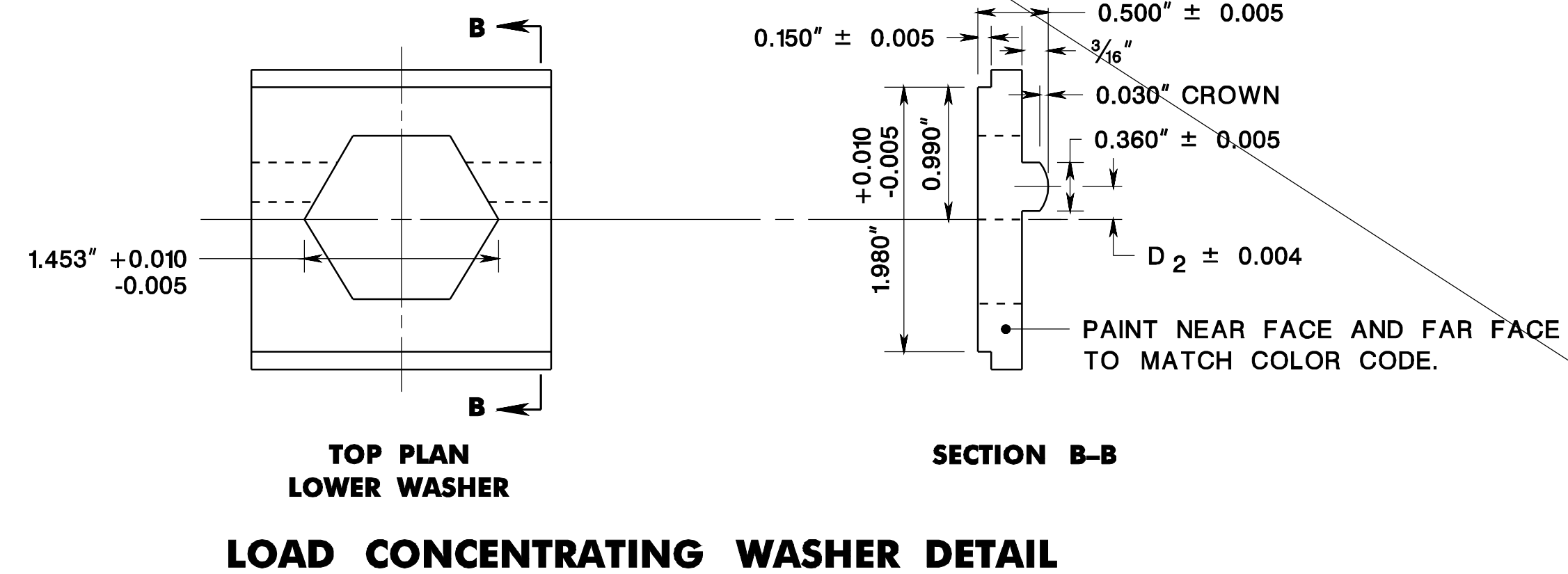
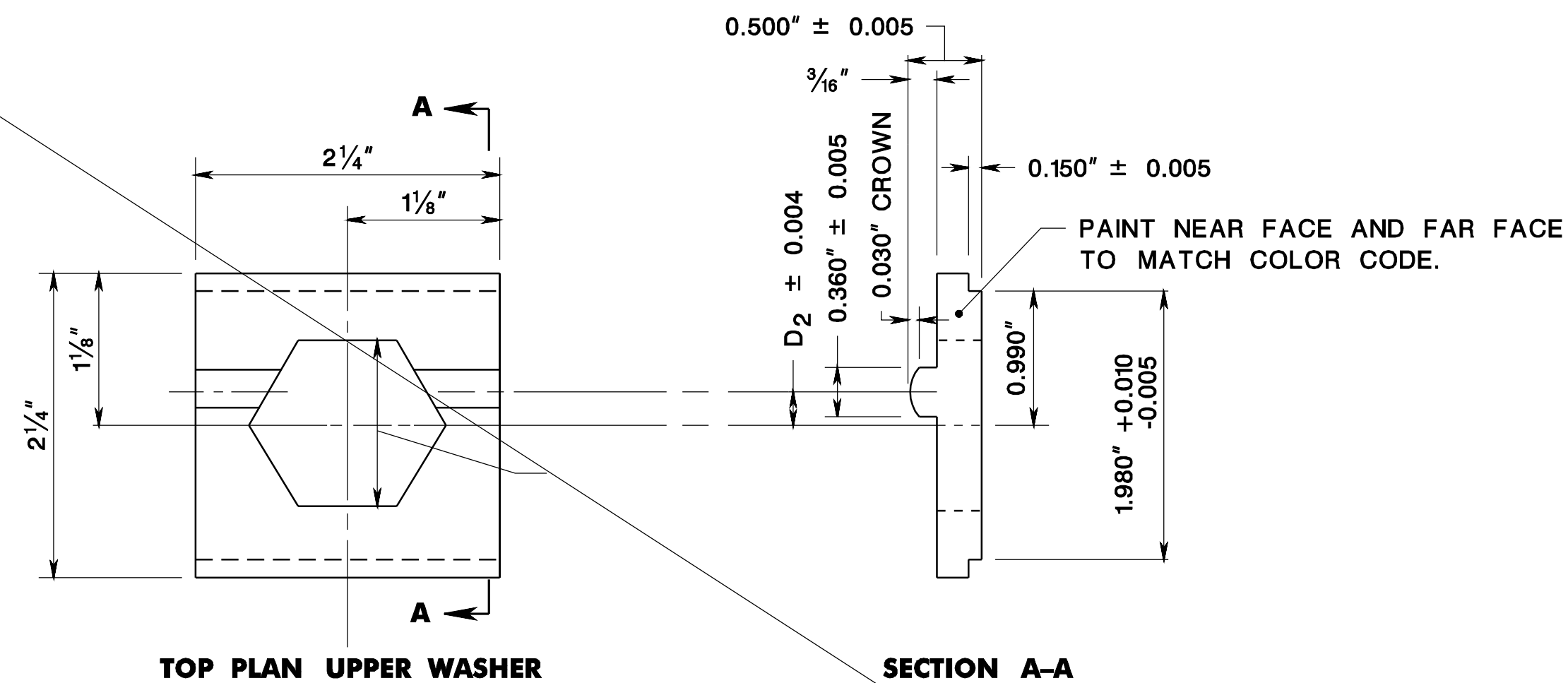
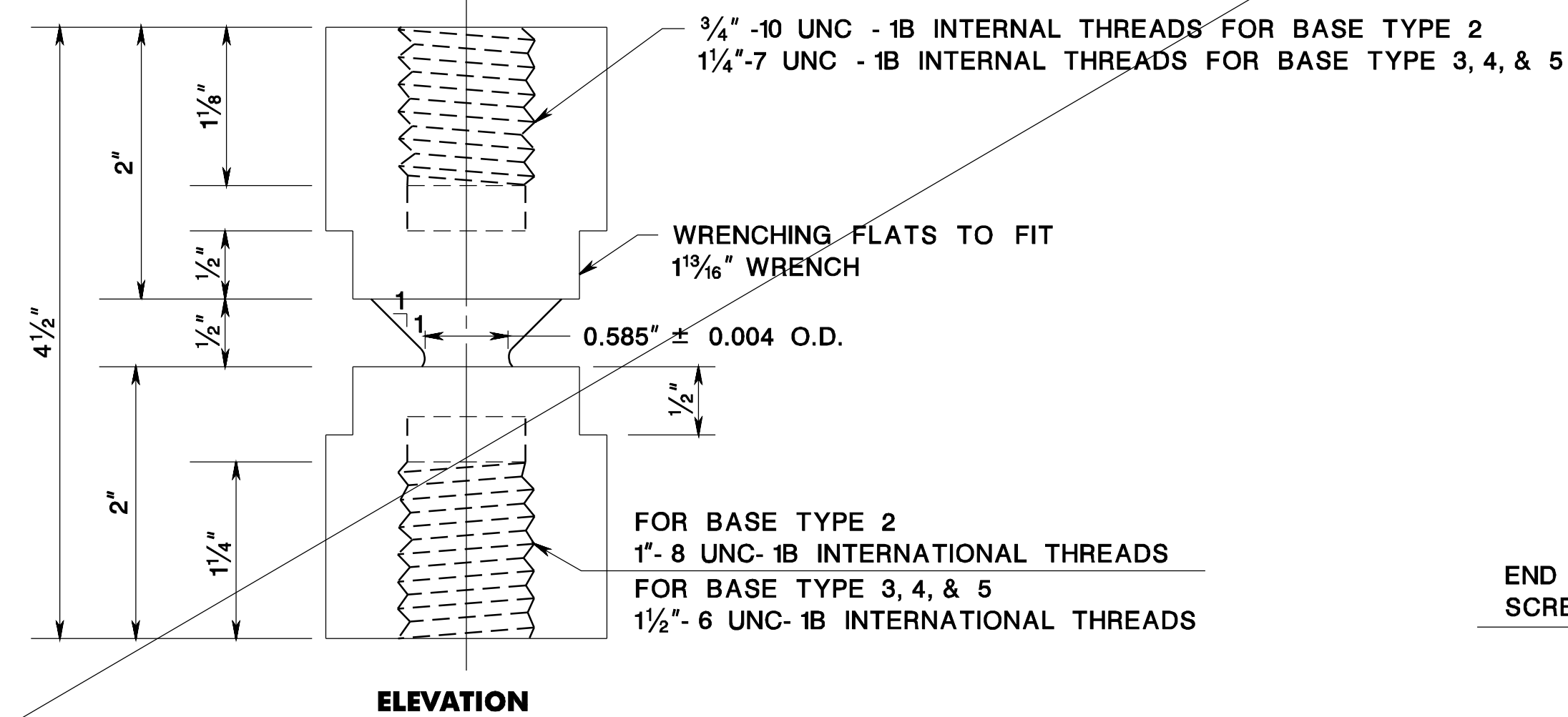
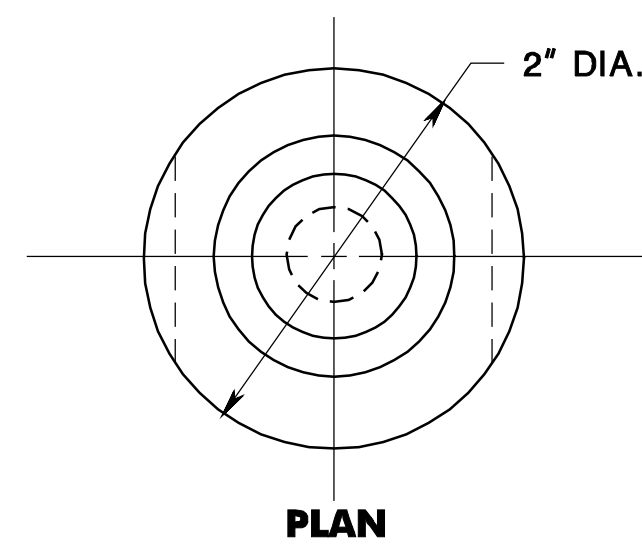


BDC09D-02 DELETED  
BDC09D-02 ORIGINAL SHEET

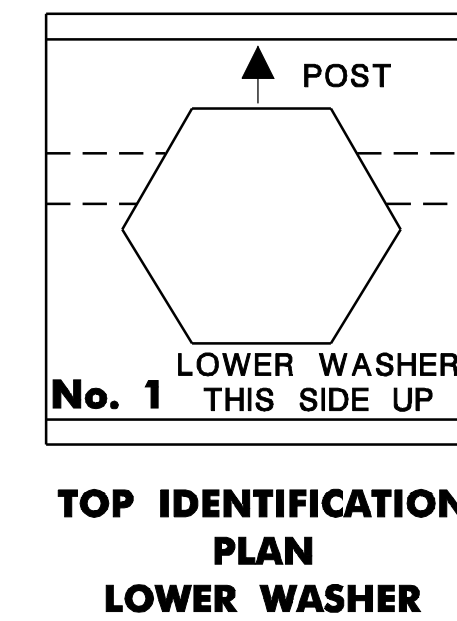
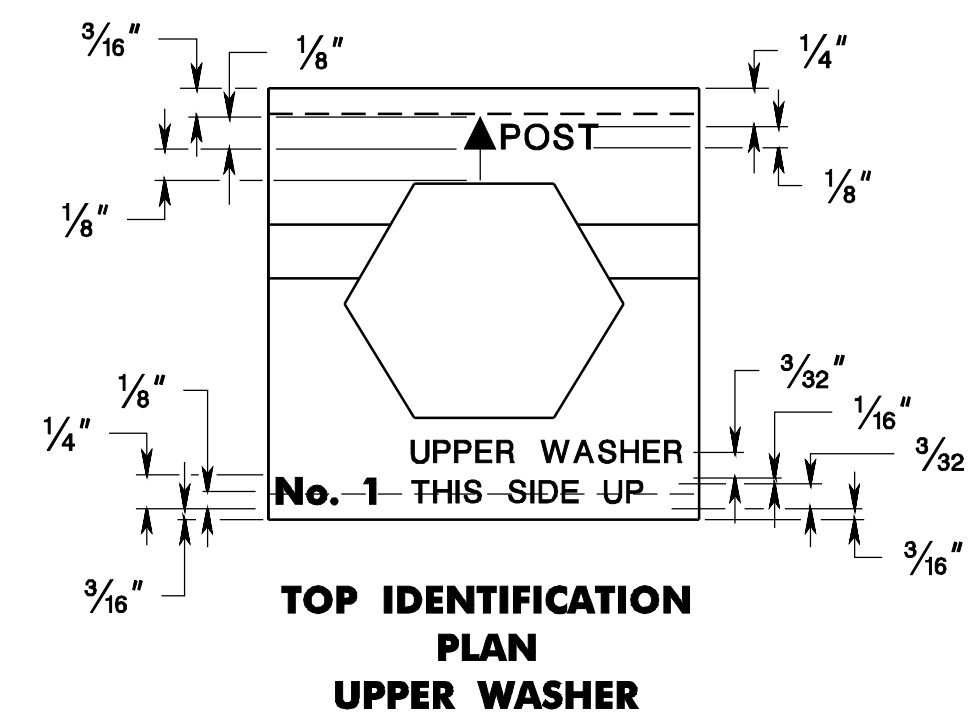


**LOAD CONCENTRATING WASHER DETAIL**



**BREAKAWAY COUPLING \***

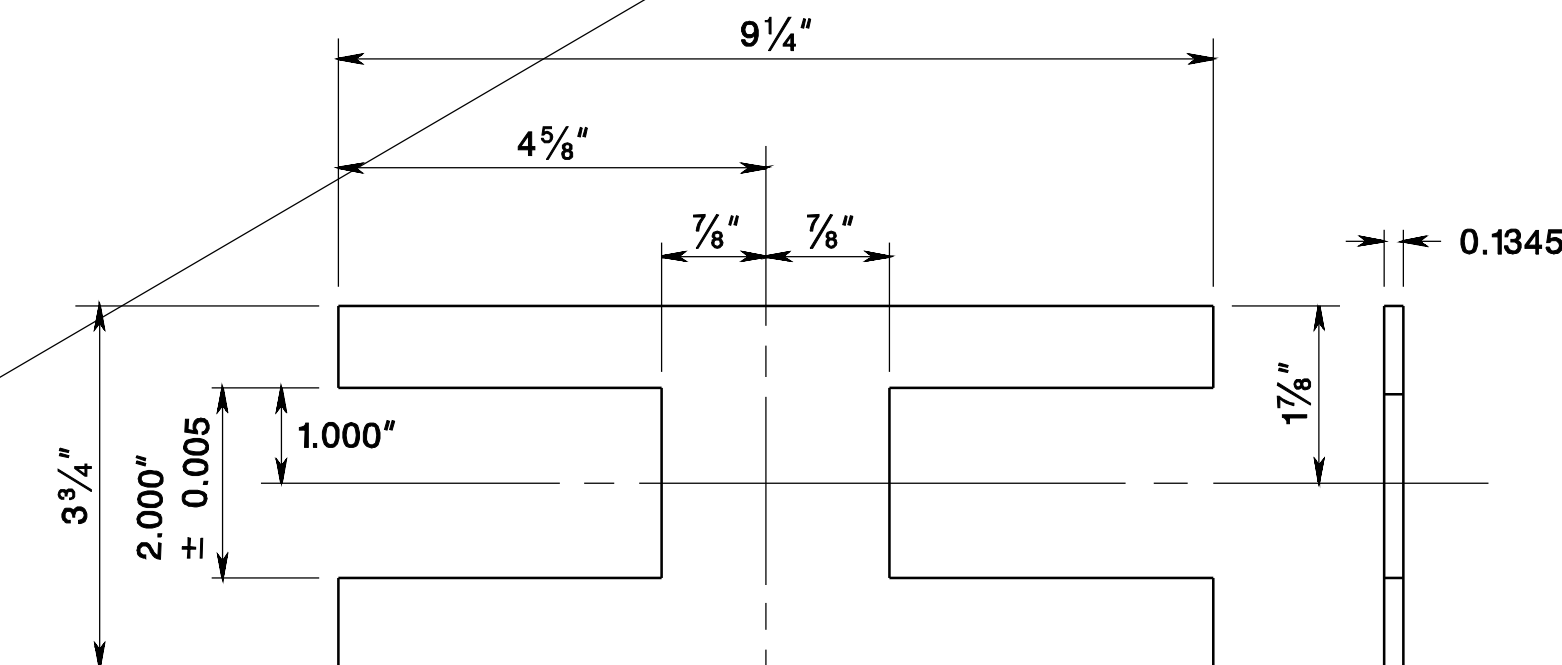
\* SHOWN FOR INFORMATION ONLY. COUPLINGS SHALL BE SUPPLIED BY N.J.D.O.T.



**LOAD CONCENTRATING WASHER IDENTIFICATION DETAIL**

**NOTE:**  
ALL LOAD CONCENTRATING WASHERS SHALL BE PERMANENTLY LABELED WITH APPROPRIATE WASHER NUMBER AND IDENTIFICATION AS SHOWN

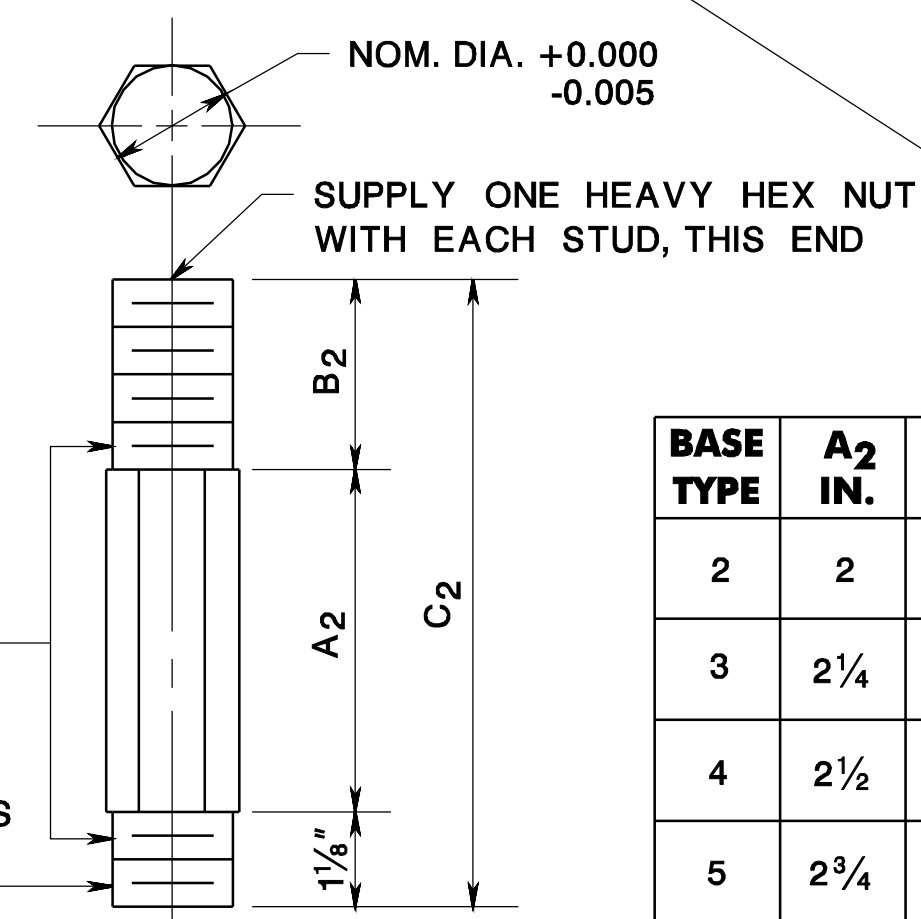
WASHER NUMBER	D <sub>2</sub> INCHES	FACE COLOR CODE
1	0.100	ORANGE
2	1.150	YELLOW
3	0.200	BLUE
4	0.250	GREEN



**WASHER RETAINER**

FOR BASE TYPE 2  
3/4" - 10 UNC - 1A THREADS (BOTH ENDS)  
FOR BASE TYPE 3, 4, & 5  
1 1/4" - 7 UNC - 1A THREADS (BOTH ENDS)

END WITH THE SHORTER THREAD DEPTH (1 1/8") IS SCREWED INTO TOP OF BREAKAWAY COUPLING



**HEX STUD LENGTHS & SIZES**

BASE TYPE	A <sub>2</sub> IN.	B <sub>2</sub> IN.	C <sub>2</sub> IN.	HEX SIZE
2	2	1 1/2	4 5/8	3/4
3	2 1/4	2 1/8	5 1/2	1 1/4
4	2 1/2	2 1/8	5 3/4	1 1/4
5	2 3/4	2 1/8	6	1 1/4

**OBSOLETE PER BDC09D-02**

**BREAKAWAY SIGN SUPPORTS FOR GROUND MOUNTED SIGNS**

N.T.S.

CD-612-11

NEW JERSEY DEPARTMENT OF TRANSPORTATION

**CONSTRUCTION DETAILS**

**DELETED**