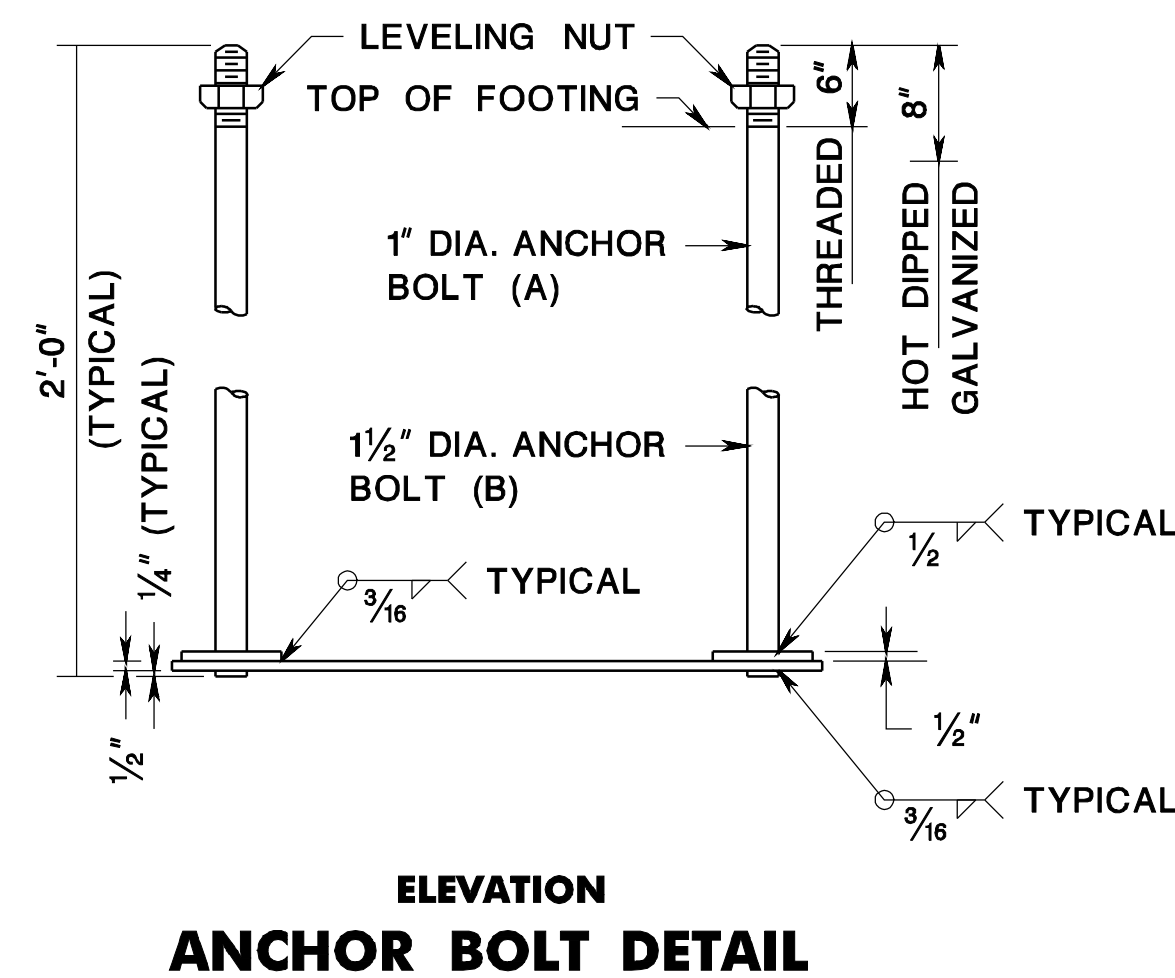
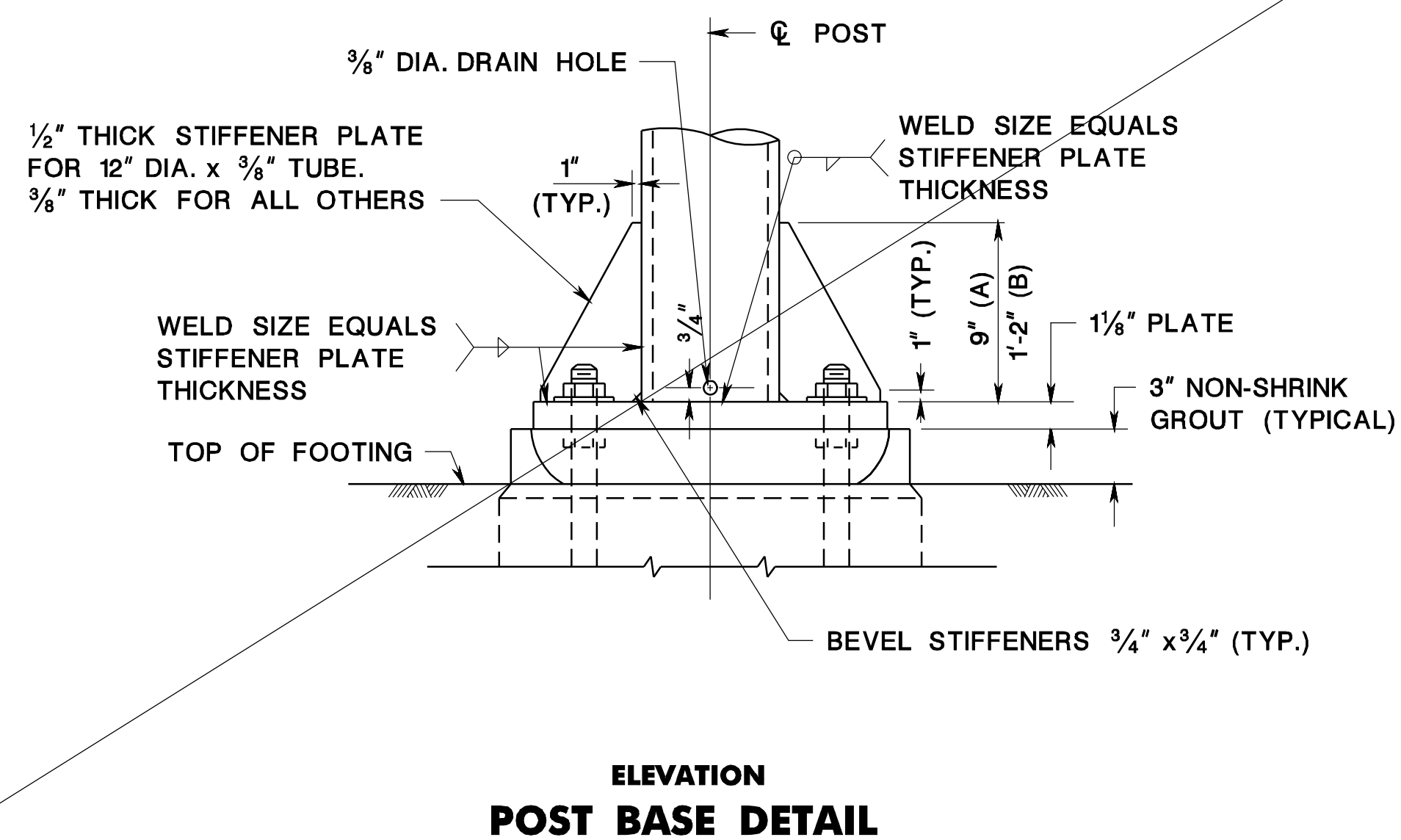
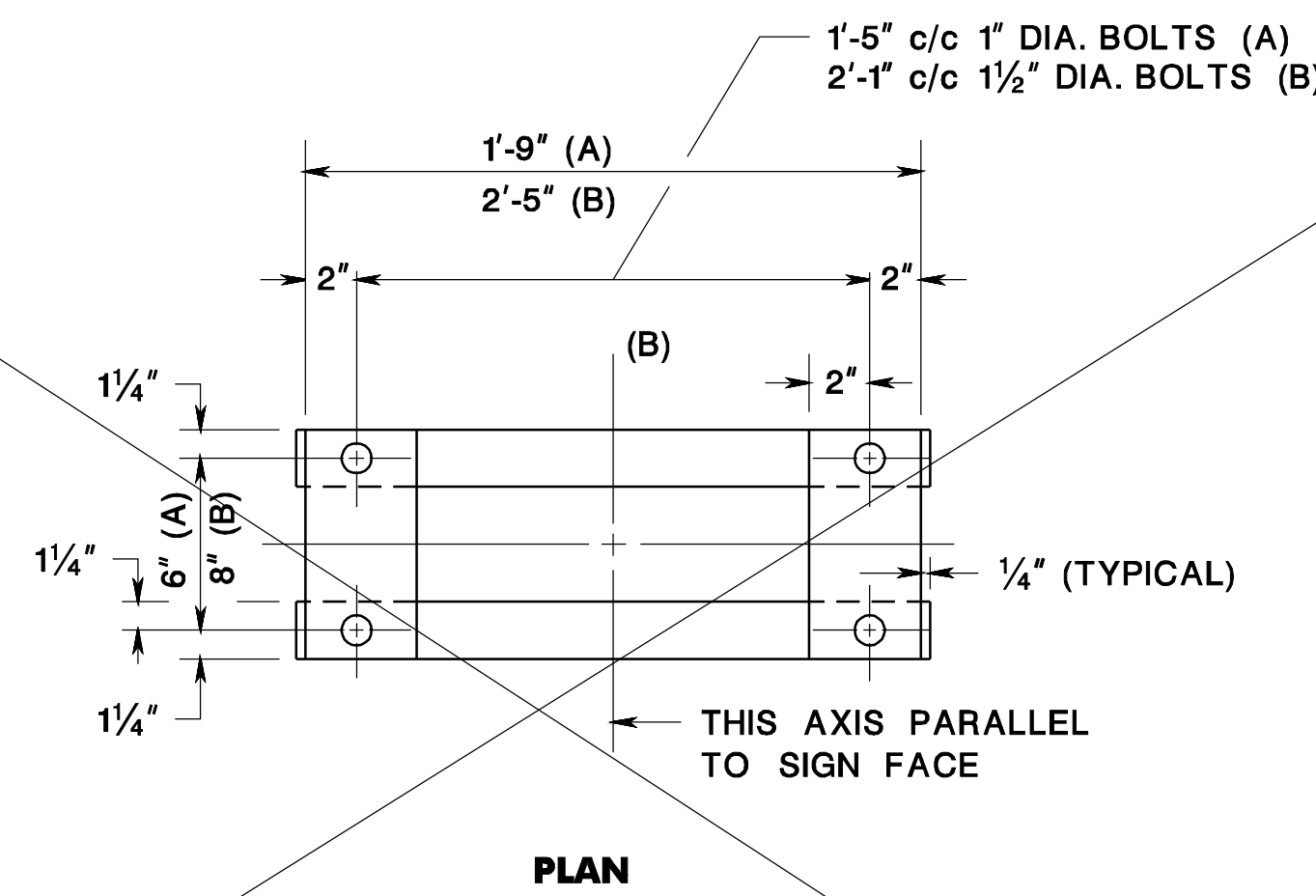
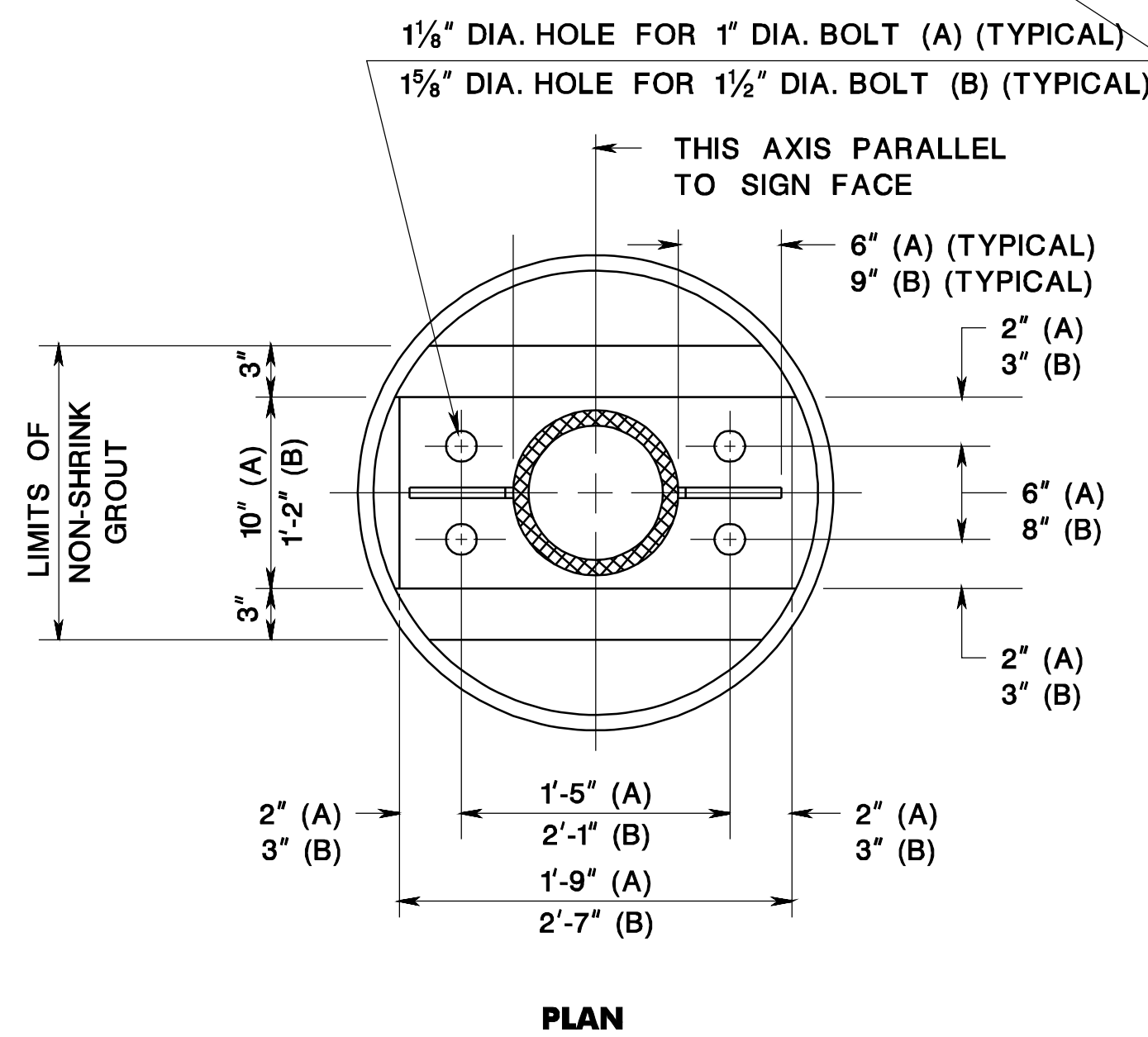


**GENERAL NOTES:**

1. USE CLASS "B" CONCRETE IN ALL FOOTINGS.
2. ALL FOOTINGS SHALL BE PLACED AGAINST UNDISTURBED OR ADEQUATELY COMPACTED EARTH, EXCEPT FOR FOOTING TOPS WHICH SHALL BE FORMED TO A DEPTH OF 3 INCHES BELOW GROUND LINE.
3. TOPS OF FOOTINGS ABOVE REFERENCE LINE ARE INDICATED BY PLUS (+) VALUE; AND BELOW REFERENCE LINE BY MINUS (-) VALUE.
4. MATERIAL FOR STRUCTURAL SHAPES AND PLATES SHALL BE ALUMINUM ALLOY 6061-T6.
5. ANCHOR BOLT ASSEMBLY SHALL BE STRUCTURAL STEEL CONFORMING TO ASTM SPECIFICATION A36 NUTS, WASHERS AND BOLTS SHALL BE HOT DIP GALVANIZED. THE TOP 6 INCHES OF ALL ANCHOR BOLTS SHALL BE THREADED.
6. WELDING OF ALUMINUM SHALL BE AS SPECIFIED IN THE SPECIFICATIONS.
7. UNUSUAL FOUNDATION CONDITIONS MAY REQUIRE REDESIGN OF FOOTING AND SUCH CONDITIONS SHALL BE BROUGHT TO THE ATTENTION OF THE DEPARTMENT.
8. DIMENSIONS FOR BASE TYPE A ARE DESIGNATED (A). DIMENSIONS FOR BASE TYPE B ARE DESIGNATED (B).



**OBSOLETE PER BDC09D-02**

**NON-BREAKAWAY SIGN SUPPORTS FOR GROUND MOUNTED SIGNS**

N.T.S.

CD-612-14

NEW JERSEY DEPARTMENT OF TRANSPORTATION

**CONSTRUCTION DETAILS**

**DELETED**