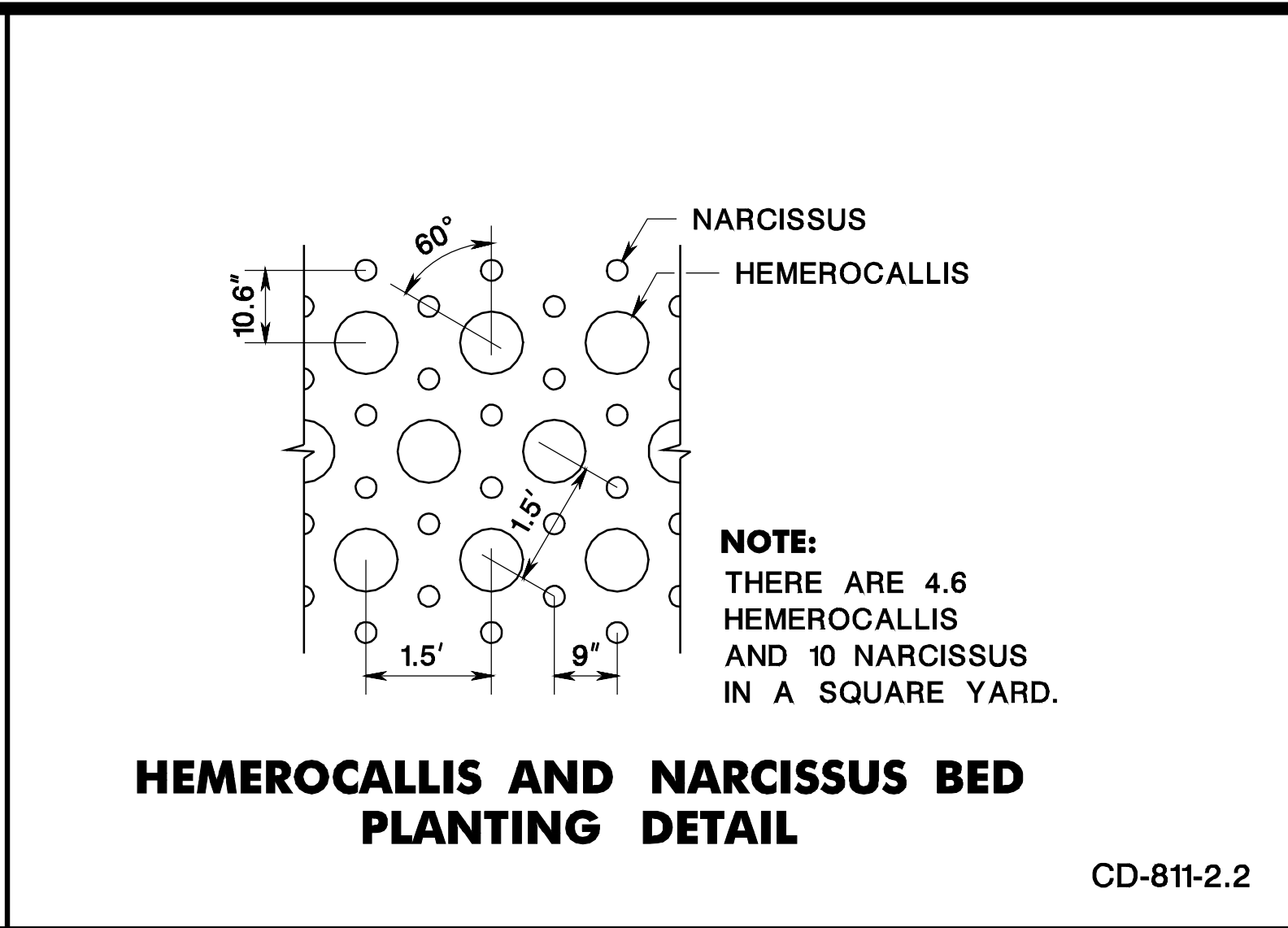


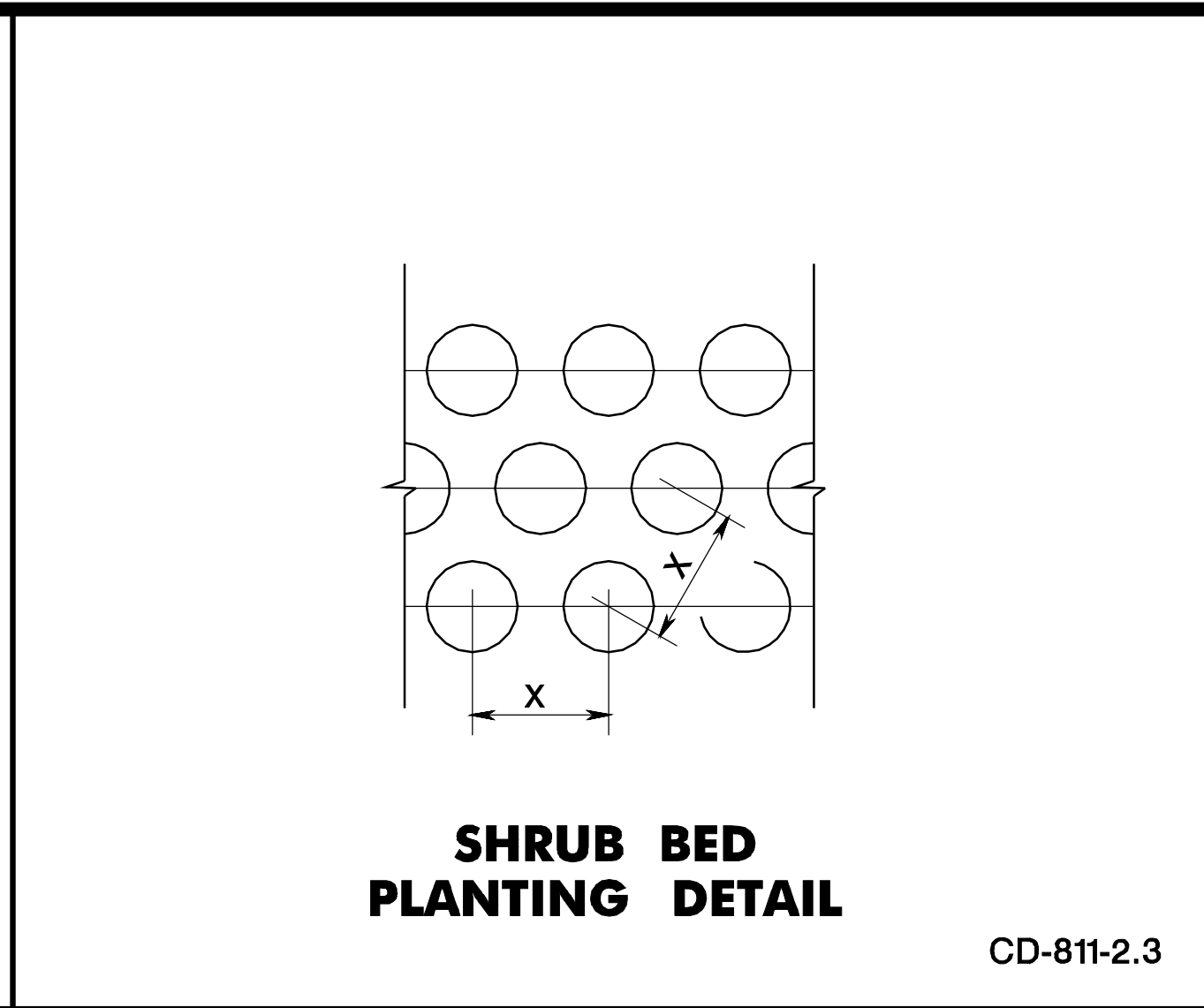
SHRUB PLANTING BEHIND GUIDE RAIL

CD-811-2.1



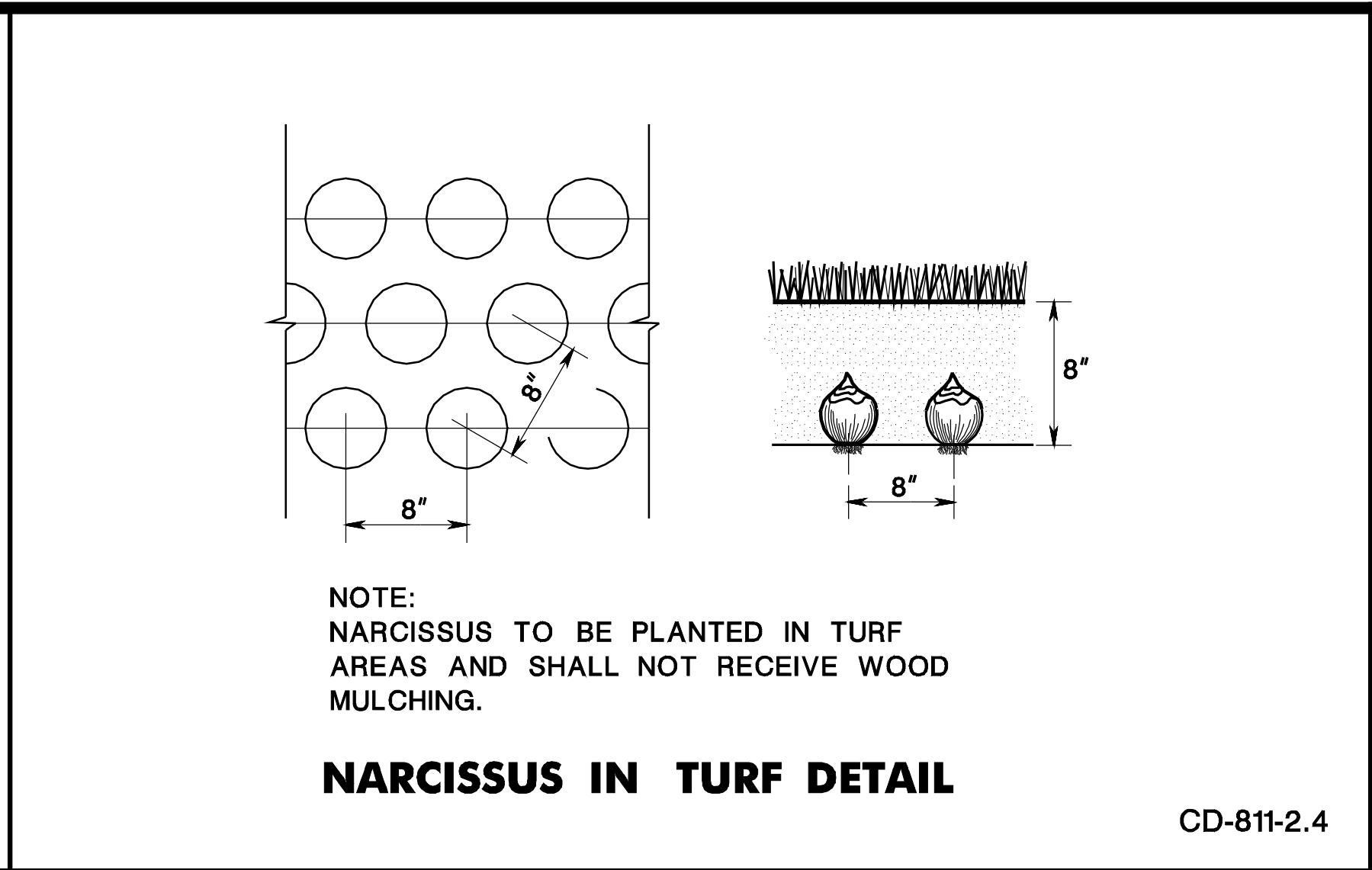
HEMEROCALLIS AND NARCISSUS BED PLANTING DETAIL

CD-811-2.2



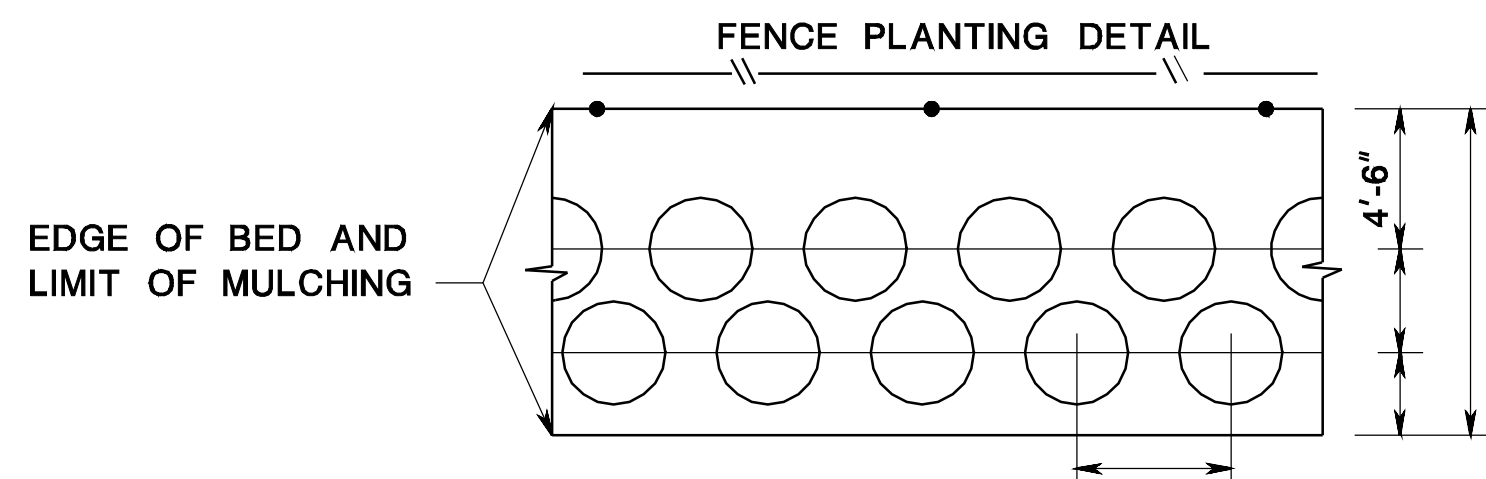
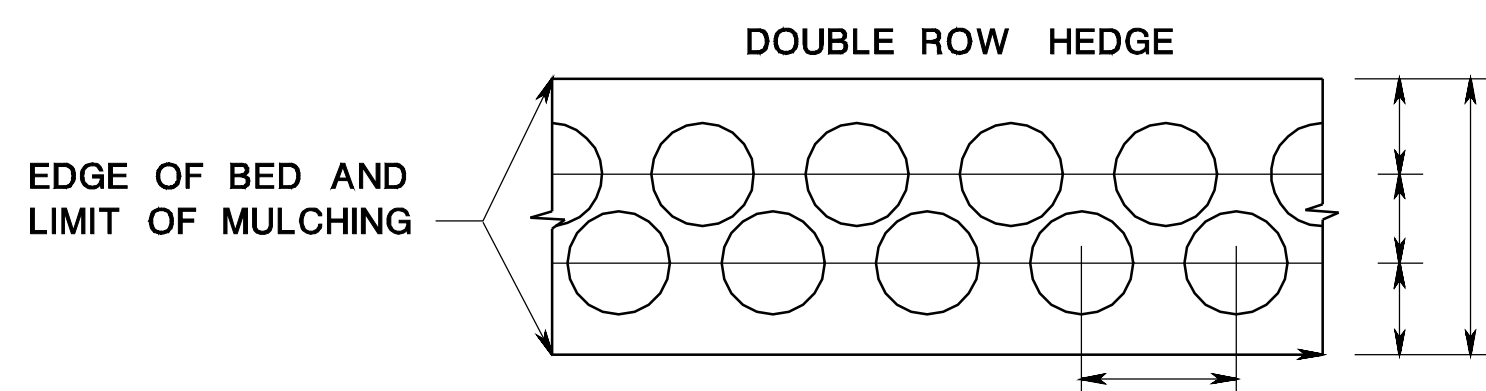
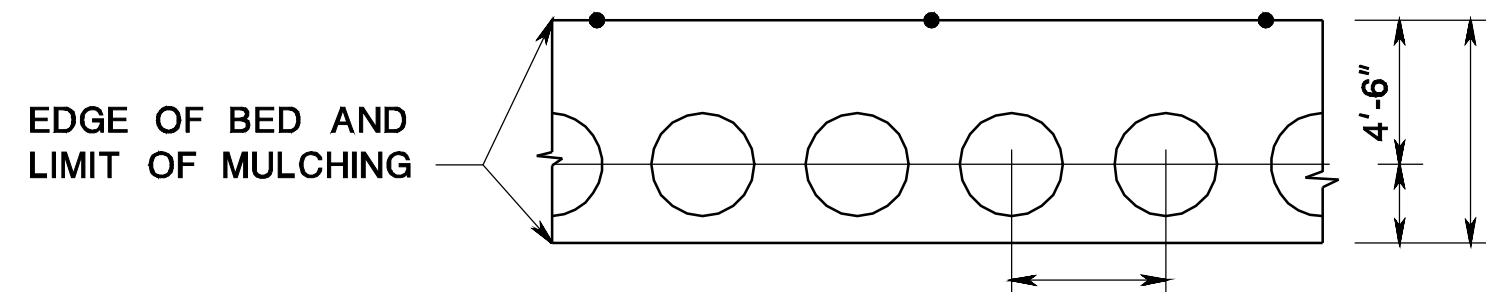
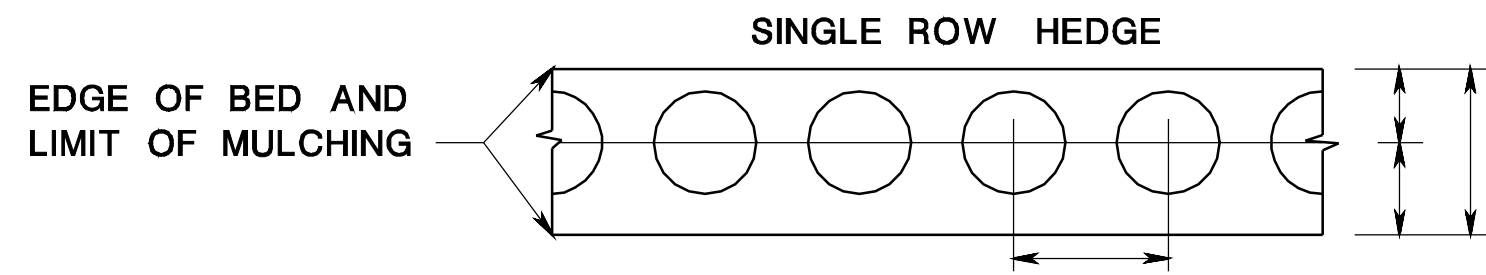
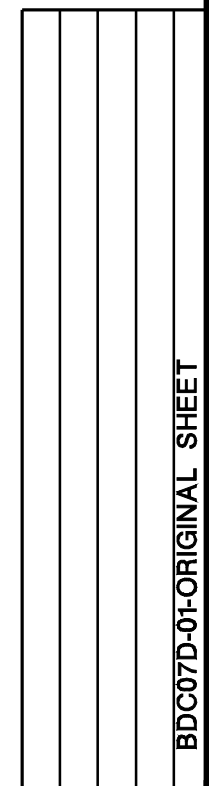
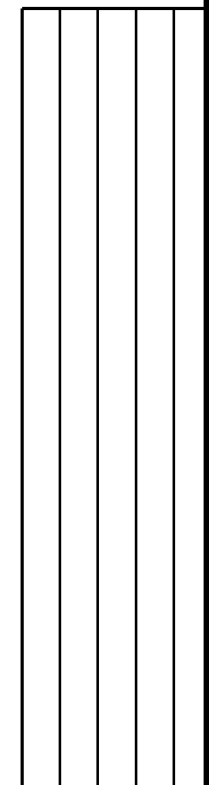
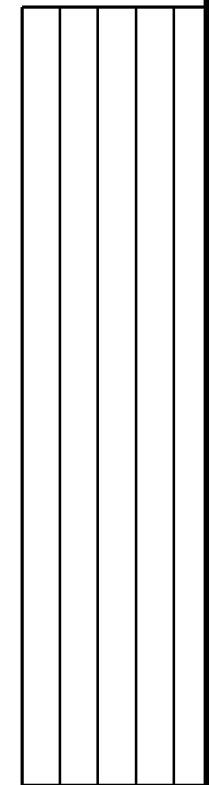
SHRUB BED PLANTING DETAIL

CD-811-2.3



NARCISSUS IN TURF DETAIL

CD-811-2.4



HEDGE PLANTING DETAILS

CD-811-2.5

NOTE TO DESIGNER:
 THIS SHEET REQUIRES DESIGN SPECIFIC INFORMATION TO BE ADDED AND INCLUDED IN THE CONTRACT PLANS.
 REMOVE THIS NOTE AFTER DESIGN SPECIFIC INFORMATION IS ADDED.

PLANTING

N.T.S.

CD-811-2

NEW JERSEY DEPARTMENT OF TRANSPORTATION

CONSTRUCTION DETAILS