



# State of New Jersey

DEPARTMENT OF THE TREASURY  
DIVISION OF PURCHASE AND PROPERTY  
PURCHASE BUREAU  
P.O. BOX 230  
TRENTON, NEW JERSEY 08625-0230

JON S. CORZINE  
Governor

R. DAVID ROUSSEAU  
Acting State Treasurer

2 April 2008

## AMENDMENT #10 FURNITURE - CLASSROOM AND FOLDING T-1219

The following changes are effective immediately:

1. Add to Mity Lite Inc (Contract A67836) new product -

Mity-Lite would like to add some a new folding chair to our line and would like to put it on our New Jersey State would like to add:

### Polyfold Prolite Folding Chair

Dock Delivered	Discount
\$0- \$2,999	25.00%
\$3,000 - \$19,999	29.00%
\$20,000-\$49,999	35.00%
\$50,000 +	35.00%

Spotted Delivered	Discount
\$0- \$2,999	15.00%
\$3,000 - \$19,999	19.00%
\$20,000-\$49,999	25.00%
\$50,000 +	25.00%

Chair Model	Net Weight	List Price
Prolite Polyfold	11 lbs	\$29.00





## ProLite™ Poly Fold Chair

Seat Height	Overall Height	Width	Seat Depth	Weight	Footprint
17.5" (44.5cm)	31.5" (79cm)	17.75" (45cm)	15.5" (40cm)	8.0lb (3.6kg)	17" (43cm) L x 17.75" (45cm) W



ProLite™ Poly Fold Chair

**Legs and Frame:** Chair legs and frame are made from heavy duty 1.2mm tubular steel for increased rigidity and strength. Cross supports consist of identical material. Front legs are double-walled to dramatically increase load-bearing capacity of the chair.

**Frame Finish:** Finish is an electrostatically applied oven cured powder coating for extended durability and chip resistance.

**Seat and Back:** Chair seat and back are manufactured from polypropylene resin which includes a UV stabilizer for reliable outdoor use. Seat and back are specially reinforced with longer, thicker structural support ribs to eliminate excessive flexing. Special steel reinforcements are embedded into the chair seat plastic at the seat pivot points for additional security and durability.

**Folding:** Chair folds flat to 2.5" (6.5cm).

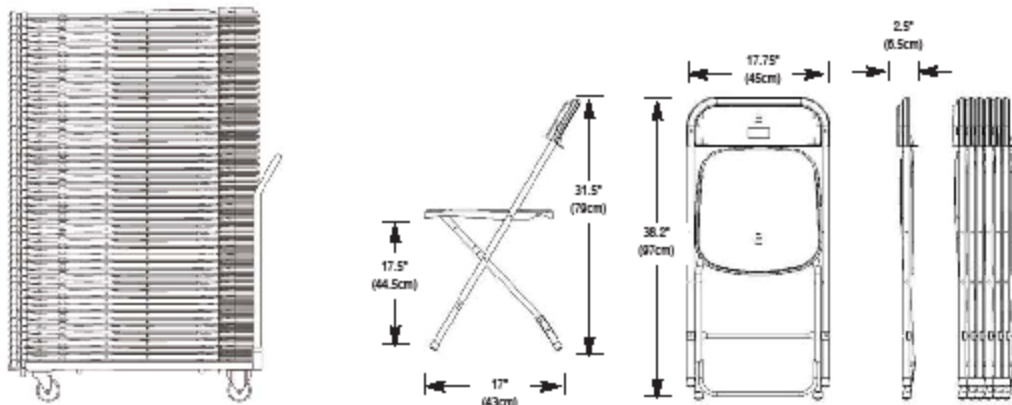
**Hardware:** Chair legs and frame are attached to corresponding frame members and plastic seat and back using durable punch rivets. Long-lasting orbital rivets are used to join the front and back legs at the main pivot point.

**Stacking:** Stacking density is 2.5" (6.5cm) for the first chair. Each additional chair adds 1.125" (2.9cm). Chairs stack 50 units high.

**Colors:** Chairs are manufactured in White, Black, Grey and Neutral.

**Performance Specifications:** Chairs were successfully tested in a static load test to a capacity of 1000+ lbs.

**Warranty:** 5 years





## ProLite™ Poly Fold Chair

Mity-Lite's new ProLite™ Poly Fold chairs are specially designed for the performance you require, and the Mity-Lite quality you expect. As a result, our ProLite™ chairs can hold 1000+\* lbs! Compare ProLite™ Poly Fold chairs to other poly fold chairs on the market and experience ProLite™ durability for yourself.

*\*Chairs were successfully tested in a static load test to a capacity of 1000+ lbs.*

### Features:

- Reinforced tubing. Better design!
- Beveled plastic seat and back
- Classic design
- Powder coated frame
- Durable orbital rivets
- 5 year warranty

### Benefits:

- ProLite™ feels MORE stable & holds MORE weight
- Rounded edges prevent cuts or snags
- Interstacks with other poly fold brands
- Scratch resistant finish
- Stronger leg pivot points
- Superior materials reduce excessive leg & frame "flex"



mitylite.com | 800.327.1692 | 801.224.0589 | 1301 West 400 North, Orem, Utah 84057