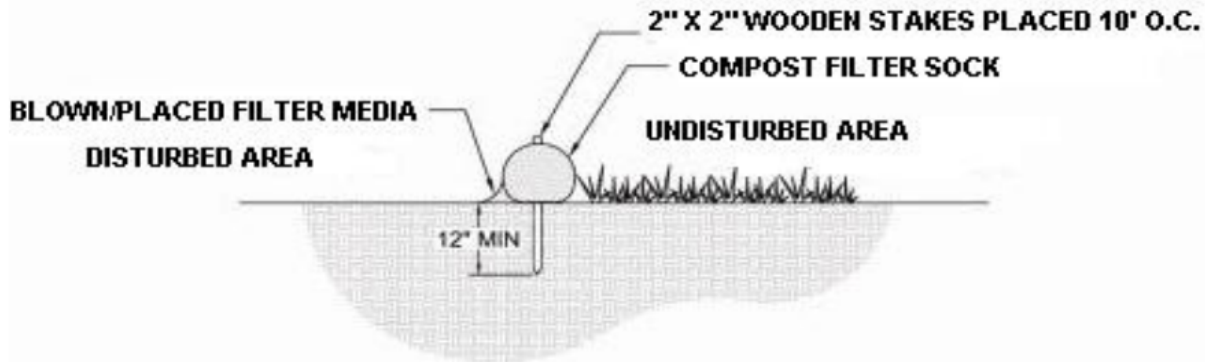


Appendix 1A  
Luzerne County

# STANDARD E&S WORKSHEET #1

## Compost Filter Socks

PROJECT NAME:	PENNEAST PIPELINE PROJECT	
LOCATION:	LUZERNE COUNTY	
PROJECT COMPONENT:	MAINLINE	
PREPARED BY:	KEK / JMB	DATE: 10/2019
CHECKED BY:	MDN	DATE: 10/2019

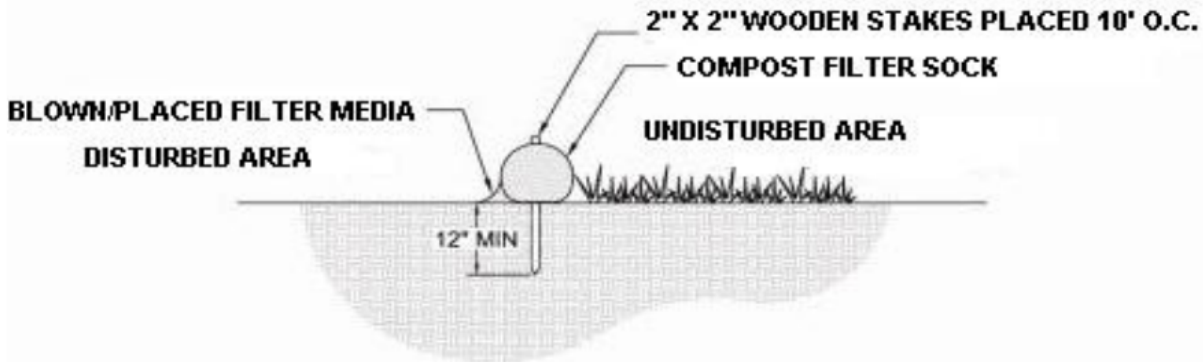


MILEPOST	DIAMETER (IN)	LOCATION	SLOPE PERCENT	SLOPE LENGTH ABOVE BARRIER (FT)
		APPROX. STATION		
0.1	12	06+49	2	210
0.1	12	06+60	2	213
0.1	12	06+74	2	155
0.1	12	06+91	2	39
0.1	12	07+09	3	52
0.1	12	07+32	3	72
0.2R3	12	10+58	6	105
0.2R3	12	10+71	6	145
0.2R3	18	10+93	6	170
0.2R3	12	11+58	11	53
0.2R3	12	11+87	8	82
0.2R3	12	12+17	7	111
0.2R3	12	12+45	7	130
0.4	18	18+91	12	149
0.4	18	19+73	13	151
0.4	18	20+50	13	149
0.4	18	21+20	14	150
0.4	18	21+94	14	150
0.4	18	22+61	14	150
0.4	24	22+87	17	159
0.4	24	23+46	18	168
0.5	24	24+27	19	153
0.5	32	25+23	22	152
0.5	32	25+61	23	152
0.5	12	26+17	30	15
0.5	12	26+26	30	20

# STANDARD E&S WORKSHEET #1

## Compost Filter Socks

PROJECT NAME:	PENNEAST PIPELINE PROJECT	
LOCATION:	LUZERNE COUNTY	
PROJECT COMPONENT:	MAINLINE	
PREPARED BY:	KEK / JMB	DATE: 10/2019
CHECKED BY:	MDN	DATE: 10/2019

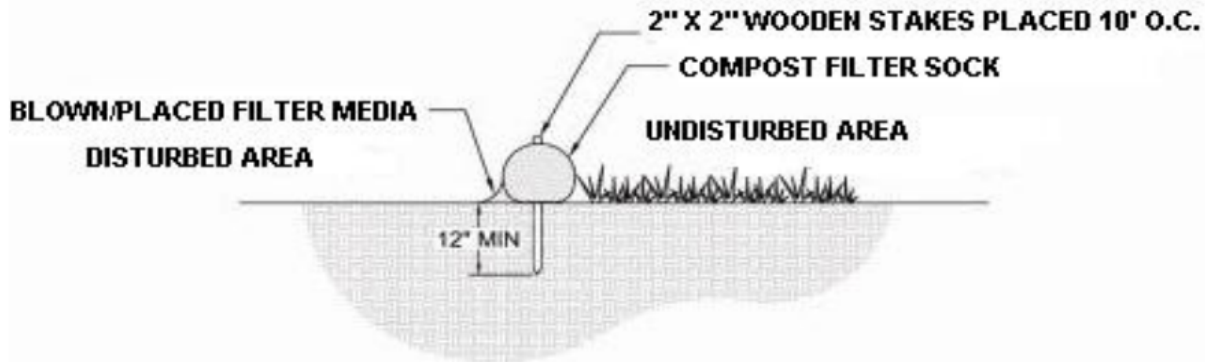


MILEPOST	DIAMETER (IN)	LOCATION	SLOPE PERCENT	SLOPE LENGTH ABOVE BARRIER (FT)
		APPROX. STATION		
0.5	12	26+36	28	26
0.5	12	26+45	27	31
0.5	12	26+93	23	42
0.5	12	27+15	26	27
0.6	12	29+36	15	60
0.6	12	29+74	17	52
0.6	12	32+34	22	12
0.6	12	32+53	24	46
0.6	18	33+51	16	116
0.6	12	33+68	3	29
0.6	18	34+28	25	72
0.7	18	34+36	23	82
0.8	12	42+39	8	64
0.8	12	42+59	10	52
0.8	12	42+83	10	26
0.8	18	43+27	17	89
0.8	12	43+55	16	60
0.8	12	43+84	13	32
0.8	12	44+50	6	116
0.8	12	44+80	5	79
0.9	12	45+01	5	58
0.9	12	45+31	6	28
0.9	18	45+81	19	89
0.9	12	46+07	20	65
0.9	12	46+34	21	40
0.9	12	46+57	22	18

# STANDARD E&S WORKSHEET #1

## Compost Filter Socks

PROJECT NAME:	PENNEAST PIPELINE PROJECT	
LOCATION:	LUZERNE COUNTY	
PROJECT COMPONENT:	MAINLINE	
PREPARED BY:	KEK / JMB	DATE: 10/2019
CHECKED BY:	MDN	DATE: 10/2019

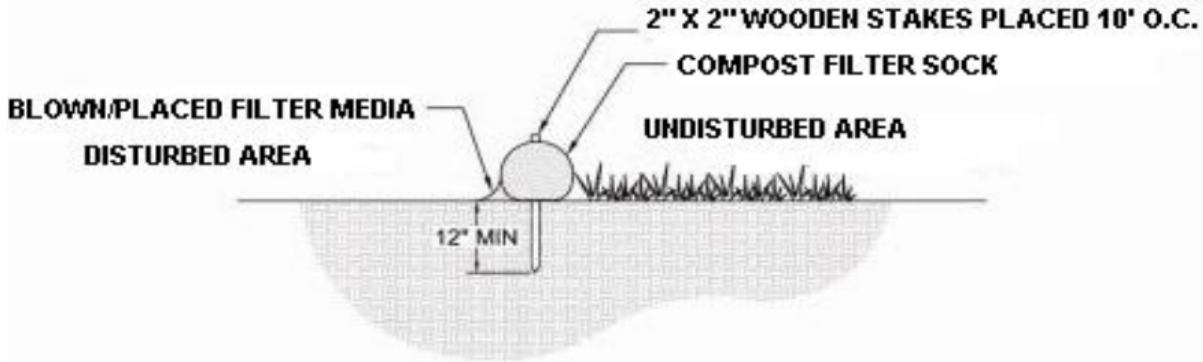


MILEPOST	DIAMETER (IN)	LOCATION	SLOPE PERCENT	SLOPE LENGTH ABOVE BARRIER (FT)
		APPROX. STATION		
0.9	12	47+07	7	115
0.9	12	47+37	6	92
0.9	12	47+52	6	75
0.9	12	47+82	6	51
0.9	12	48+01	5	31
0.9	12	48+50	7	80
0.9	12	48+65	8	64
0.9	12	48+80	10	43
0.9	12	48+96	11	25
0.9	12	49+45	3	165
1.1R3	12	55+45	12	45
1.1R3	12	55+61	11	65
1.1R3	12	55+78	10	82
1.1R3	12	55+97	9	105
1.1R3	12	56+15	9	123
1.1R3	12	56+33	8	98
1.1R3	12	56+45	7	99
1.1R3	12	58+24	9	59
1.1R3	12	58+26	9	58
1.1R3	12	59+06	5	115
1.1R3	12	59+34	6	141
1.1R3	12	59+72	16	24
1.1R3	12	59+85	15	37
1.1R3	12	60+12	13	58
1.1R3	12	60+21	5	130
1.1R3	12	60+21	5	139

# STANDARD E&S WORKSHEET #1

## Compost Filter Socks

PROJECT NAME:	PENNEAST PIPELINE PROJECT	
LOCATION:	LUZERNE COUNTY	
PROJECT COMPONENT:	MAINLINE	
PREPARED BY:	KEK / JMB	DATE: 10/2019
CHECKED BY:	MDN	DATE: 10/2019

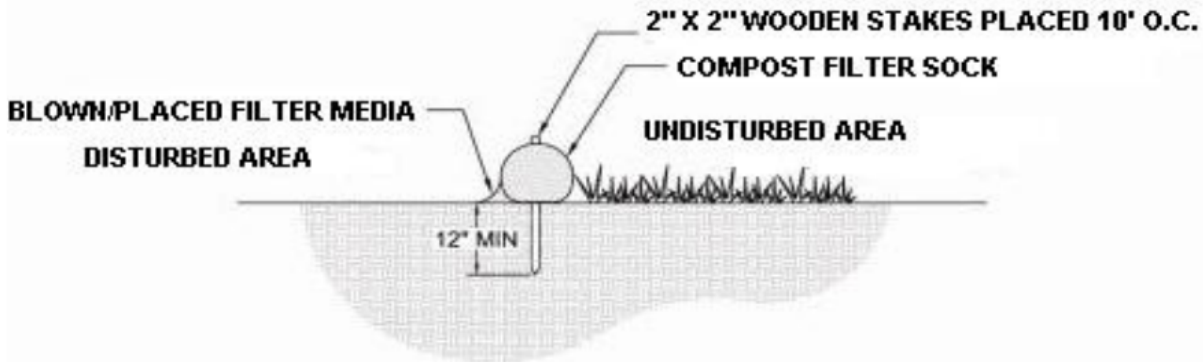


MILEPOST	DIAMETER (IN)	LOCATION	SLOPE PERCENT	SLOPE LENGTH ABOVE BARRIER (FT)
		APPROX. STATION		
1.1R3	12	60+55	12	91
1.2R3	12	60+78	14	97
1.2R3	12	62+16	5	126
1.2R3	12	62+43	4	102
1.2R3	12	62+62	5	81
1.2	12	63+17	3	160
1.2	12	63+71	3	179
1.2	12	64+21	4	166
1.2	12	64+99	17	47
1.2	12	65+17	17	63
1.2	18	65+33	16	79
1.2	12	65+47	14	92
1.2	18	65+63	14	107
1.2	18	65+79	13	123
1.3	12	66+15	10	21
1.3	12	66+30	9	34
1.3	12	66+46	8	52
1.3	12	66+61	9	61
1.3	12	66+75	9	74
1.3	12	66+90	9	83
1.3	12	67+03	10	93
1.3	12	67+19	10	105
1.3	12	67+71	11	25
1.3	12	67+87	11	37
1.3	12	68+05	10	54
1.3	12	68+25	10	71

# STANDARD E&S WORKSHEET #1

## Compost Filter Socks

PROJECT NAME:	PENNEAST PIPELINE PROJECT	
LOCATION:	LUZERNE COUNTY	
PROJECT COMPONENT:	MAINLINE	
PREPARED BY:	KEK / JMB	DATE: 10/2019
CHECKED BY:	MDN	DATE: 10/2019

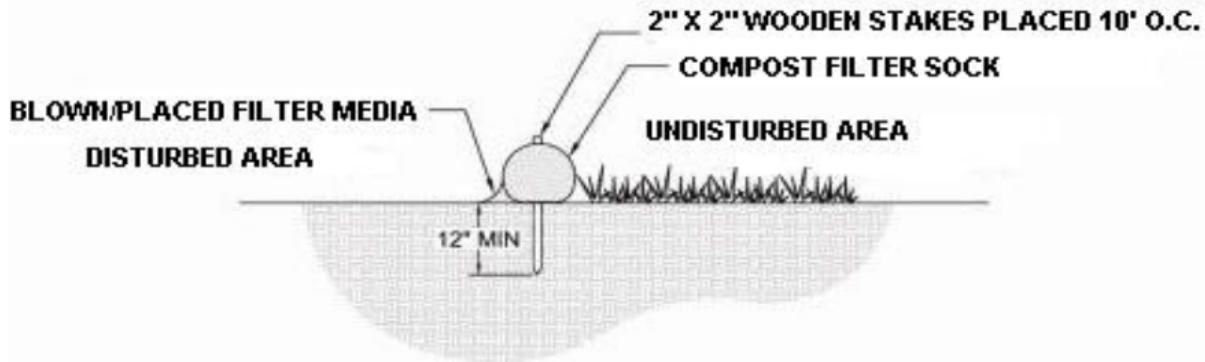


MILEPOST	DIAMETER (IN)	LOCATION	SLOPE PERCENT	SLOPE LENGTH ABOVE BARRIER (FT)
		APPROX. STATION		
1.3	12	68+39	10	85
1.3	12	68+53	10	98
1.3	12	68+69	10	112
1.3	12	70+21	5	102
1.3	12	70+80	3	31
1.3	12	70+94	4	41
1.3	12	71+05	4	53
1.3	12	71+21	5	61
1.4	12	72+71	7	43
1.4	12	73+34	5	122
1.4	12	73+73	0	69
1.4	12	74+71	3	36
1.4	12	74+96	3	40
1.4	12	75+10	4	38
1.4	12	75+20	5	28
1.4	12	76+29	4	70
1.4	12	76+38	5	66
1.5	12	80+69	4	73
1.5	12	80+96	4	64
1.5	12	81+18	3	76
1.5	12	81+43	2	77
1.6R2	12	82+22	1	46
1.6R2	18	83+26	5	326
1.6R2	18	83+74	5	262
1.6R2	12	83+93	5	215
1.6R2	24	84+43	6	265

# STANDARD E&S WORKSHEET #1

## Compost Filter Socks

PROJECT NAME:	PENNEAST PIPELINE PROJECT	
LOCATION:	LUZERNE COUNTY	
PROJECT COMPONENT:	MAINLINE	
PREPARED BY:	KEK / JMB	DATE: 10/2019
CHECKED BY:	MDN	DATE: 10/2019

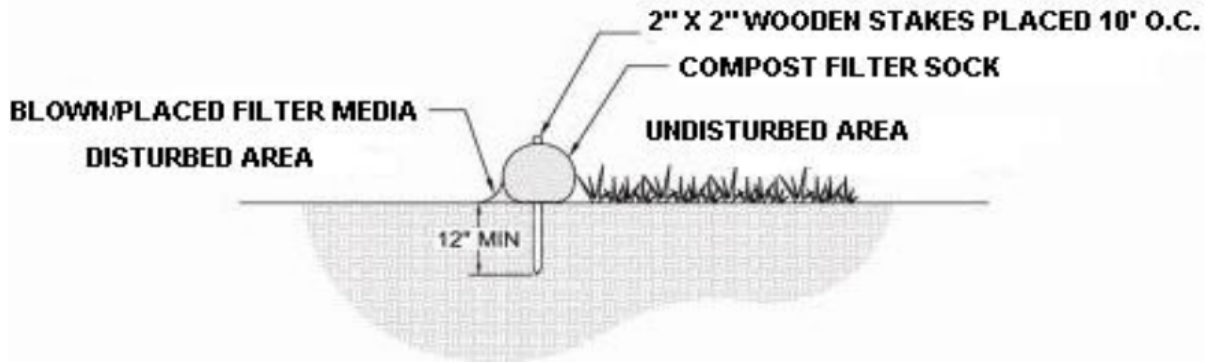


MILEPOST	DIAMETER (IN)	LOCATION	SLOPE PERCENT	SLOPE LENGTH ABOVE BARRIER (FT)
		APPROX. STATION		
1.6R2	12	86+32	7	148
1.7R2	12	87+48	7	98
1.7R2	12	88+45	8	129
1.7R2	12	88+67	9	128
1.7R2	12	88+75	10	127
1.7R2	12	88+96	10	124
1.7R2	18	89+15	11	126
1.7R2	12	89+55	13	77
1.7R2	12	89+69	14	51
1.7R2	12	89+93	16	31
1.8	18	95+06	9	233
1.8	18	95+22	8	247
1.8	18	95+37	10	173
1.8	18	96+26	7	231
1.8	18	97+15	12	110
1.8	18	97+54	12	122
1.9	18	97+90	13	122
1.9	18	98+25	15	118
1.9	18	98+61	15	117
1.9	18	98+89	19	93
1.9	18	99+78	14	134
1.9	18	100+02	13	138
1.9	12	100+44	23	18
1.9	12	101+30	19	46
1.9	12	101+48	17	66
1.9	18	101+66	16	84

# STANDARD E&S WORKSHEET #1

## Compost Filter Socks

PROJECT NAME:	PENNEAST PIPELINE PROJECT	
LOCATION:	LUZERNE COUNTY	
PROJECT COMPONENT:	MAINLINE	
PREPARED BY:	KEK / JMB	DATE: 10/2019
CHECKED BY:	MDN	DATE: 10/2019



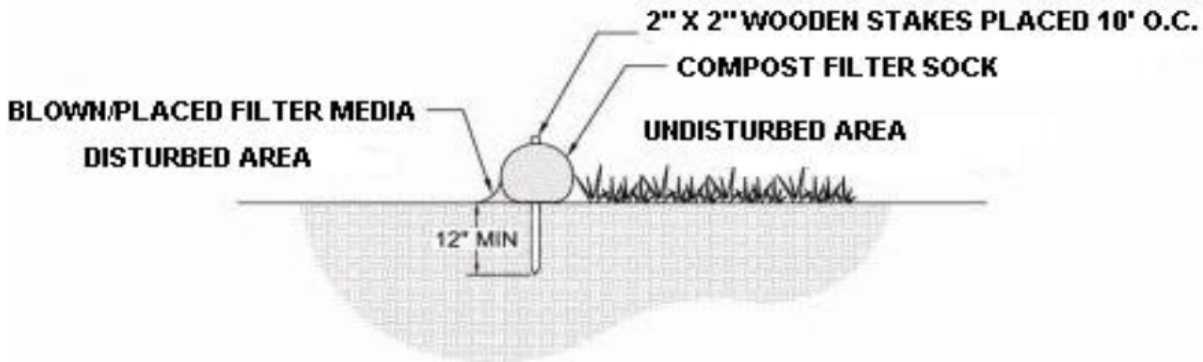
MILEPOST	DIAMETER (IN)	LOCATION	SLOPE PERCENT	SLOPE LENGTH ABOVE BARRIER (FT)
		APPROX. STATION		
1.9	12	102+26	17	37
1.9	12	102+50	17	57
1.9	12	102+70	15	79
1.9	12	102+90	15	94
2.0	18	103+09	14	118
2.0	12	103+57	14	18
2.0	12	103+70	11	23
2.0	12	103+82	9	32
2.0	12	103+95	6	81
2.0	12	104+10	5	59
2.0	12	104+21	6	41
2.0	12	104+63	1	28
2.0	12	105+71	11	49
2.1	12	108+84	8	60
2.1	12	108+94	10	63
2.1	12	110+60	4	146
2.1	12	110+82	6	146
2.1	18	112+33	10	166
2.1	12	112+68	10	150
2.2	12	113+62	10	47
2.2	12	113+94	11	30
2.2	12	114+24	11	16
2.2	12	114+79	11	51
2.2	12	114+97	11	43
2.2	12	115+14	12	36
2.2	12	115+31	12	27



# STANDARD E&S WORKSHEET #1

## Compost Filter Socks

PROJECT NAME:	PENNEAST PIPELINE PROJECT		
LOCATION:	LUZERNE COUNTY		
PROJECT COMPONENT:	MAINLINE		
PREPARED BY:	KEK / JMB	DATE:	10/2019
CHECKED BY:	MDN	DATE:	10/2019

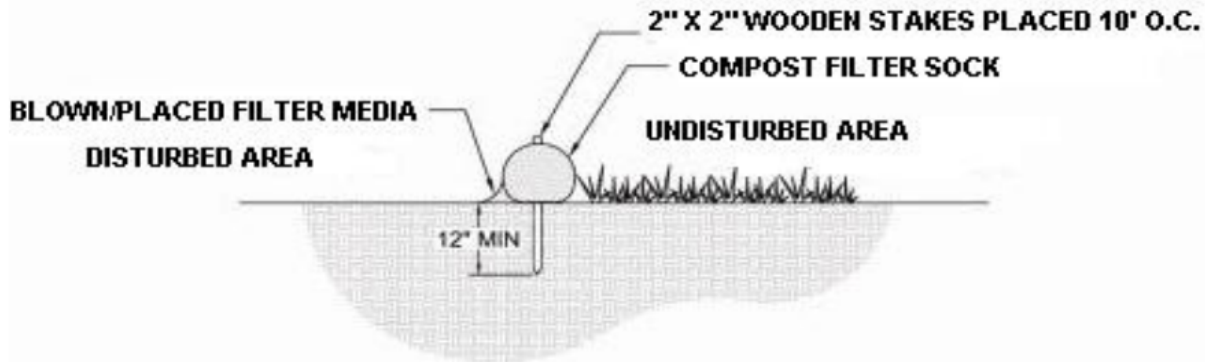


MILEPOST	DIAMETER (IN)	LOCATION	SLOPE PERCENT	SLOPE LENGTH ABOVE BARRIER (FT)
		APPROX. STATION		
2.2	12	115+53	13	16
2.2	12	115+91	14	46
2.2	12	116+10	14	38
2.2	12	116+29	13	29
2.2	12	116+48	14	18
2.2	18	116+93	22	80
2.2	18	117+12	22	69
2.2	18	117+32	21	57
2.2	12	117+52	22	46
2.2	12	117+71	22	34
2.2	12	117+90	24	22
2.2	12	118+08	23	12
2.2	32	118+39	17	201
2.3	24	118+90	19	176
2.3	32	119+74	16	249
2.3	12	120+42	16	63
2.3	12	120+59	17	50
2.3	12	120+77	17	38
2.3	12	120+96	17	24
2.3	12	121+12	19	13
2.3	12	123+00	29	17
2.3	18	123+28	21	84
2.3	12	123+50	20	64
2.3	12	123+74	18	42
2.3	12	124+00	16	17
2.4	12	124+87	8	27

# STANDARD E&S WORKSHEET #1

## Compost Filter Socks

PROJECT NAME:	PENNEAST PIPELINE PROJECT	
LOCATION:	LUZERNE COUNTY	
PROJECT COMPONENT:	MAINLINE	
PREPARED BY:	KEK / JMB	DATE: 10/2019
CHECKED BY:	MDN	DATE: 10/2019

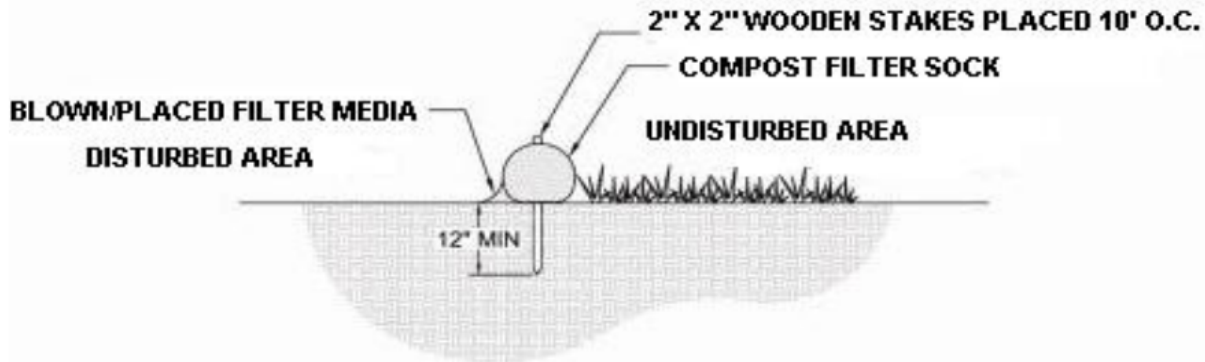


MILEPOST	DIAMETER (IN)	LOCATION	SLOPE PERCENT	SLOPE LENGTH ABOVE BARRIER (FT)
		APPROX. STATION		
2.4	12	124+87	9	32
2.4	12	124+87	10	35
2.4	12	125+62	3	190
2.4	12	126+02	3	159
2.4	12	126+19	3	92
2.4	12	126+41	3	40
2.4	12	126+53	2	25
2.4	12	126+70	2	81
2.4	12	126+89	3	31
2.4	12	127+03	3	40
2.4	12	127+21	5	48
2.5	12	134+33	15	73
2.6	12	135+23	12	60
2.6	12	136+23	11	46
2.6	12	136+34	11	56
2.6	12	136+58	6	73
2.6	12	136+87	7	78
2.6	12	137+23	7	124
2.6	12	138+12	5	34
2.6	12	138+74	7	124
2.7	18	142+73	13	102
2.7	18	142+91	13	101
2.7	18	143+24	14	101
2.7	12	143+79	14	99
2.7	12	143+93	14	99
2.7	18	144+30	15	103

# STANDARD E&S WORKSHEET #1

## Compost Filter Socks

PROJECT NAME:	PENNEAST PIPELINE PROJECT		
LOCATION:	LUZERNE COUNTY		
PROJECT COMPONENT:	MAINLINE		
PREPARED BY:	KEK / JMB	DATE:	10/2019
CHECKED BY:	MDN	DATE:	10/2019

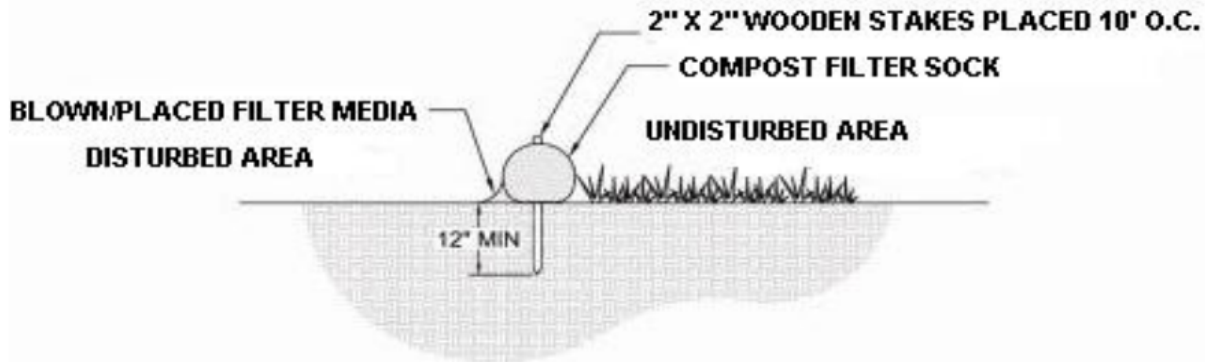


MILEPOST	DIAMETER (IN)	LOCATION	SLOPE PERCENT	SLOPE LENGTH ABOVE BARRIER (FT)
		APPROX. STATION		
2.7	18	144+46	17	103
2.7	18	144+62	18	103
2.7	18	144+78	20	103
2.7	24	144+93	21	103
2.7	24	145+09	22	102
2.8R2	32	146+40	28	102
2.8R2	32	146+61	28	102
2.8R2	32	147+06	24	154
2.8R2	32	147+70	22	152
2.8R2	32" DURASOXX	147+85	22	204
2.8R2	32" DURASOXX	147+88	21	203
2.8R2	32" DURASOXX	148+06	21	202
2.8R2	32" DURASOXX	148+25	21	201
2.8R2	32" DURASOXX	148+25	21	200
2.8R2	24	148+44	20	196
2.8R2	24	148+63	20	193
2.8R2	24	148+81	20	190
2.8R2	18	149+01	20	148
2.8R2	24	149+34	21	100
2.8R2	12	149+98	15	54
2.8R2	12	150+68	16	67
2.9R2	18	150+92	16	83
2.9R2	18	151+18	16	101
2.9R2	18	151+44	16	119
2.9R2	18	151+67	16	135
2.9R2	24	151+91	16	152

# STANDARD E&S WORKSHEET #1

## Compost Filter Socks

PROJECT NAME:	PENNEAST PIPELINE PROJECT	
LOCATION:	LUZERNE COUNTY	
PROJECT COMPONENT:	MAINLINE	
PREPARED BY:	KEK / JMB	DATE: 10/2019
CHECKED BY:	MDN	DATE: 10/2019

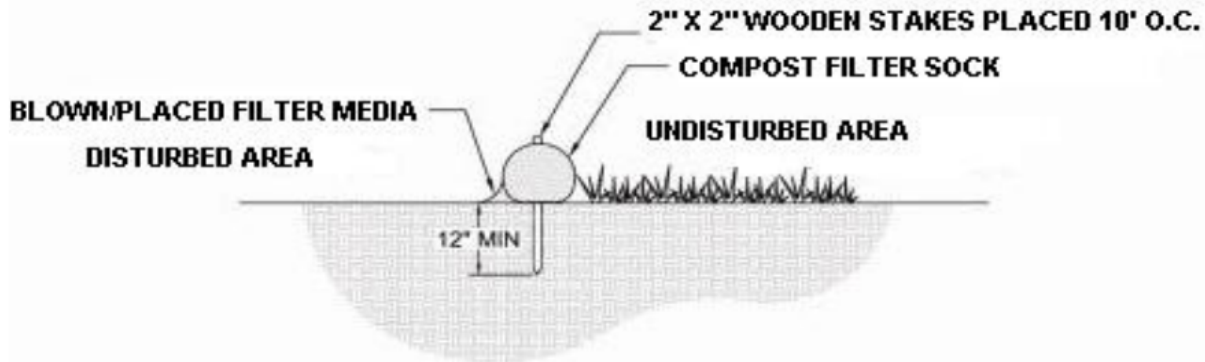


MILEPOST	DIAMETER (IN)	LOCATION	SLOPE PERCENT	SLOPE LENGTH ABOVE BARRIER (FT)
		APPROX. STATION		
2.9R2	24	152+13	16	170
2.9R2	18	152+34	15	164
2.9R2	18	152+55	15	159
2.9R2	18	152+77	15	156
2.9R2	18	152+96	15	158
2.9R2	18	153+18	15	159
2.9R2	18	153+71	14	135
2.9R2	12	154+60	9	58
2.9R2	12	154+72	9	59
2.9R2	12	154+88	9	63
2.9R2	12	155+02	9	69
2.9R2	12	155+18	9	77
2.9R2	12	155+35	10	82
2.9R2	12	155+51	10	88
2.9R2	12	155+66	10	95
3.0R2	12	155+99	9	102
3.0R2	18	156+80	10	172
3.0R2	18	156+96	10	179
3.0R2	18	157+09	10	189
3.0R2	18	157+27	10	201
3.0R2	24	157+50	11	215
3.0R2	12	158+31	21	48
3.0R2	12	158+31	19	43
3.0R2	12	158+31	16	38
3.0R2	12	158+31	15	32
3.0R2	18	159+18	19	78

# STANDARD E&S WORKSHEET #1

## Compost Filter Socks

PROJECT NAME:	PENNEAST PIPELINE PROJECT	
LOCATION:	LUZERNE COUNTY	
PROJECT COMPONENT:	MAINLINE	
PREPARED BY:	KEK / JMB	DATE: 10/2019
CHECKED BY:	MDN	DATE: 10/2019

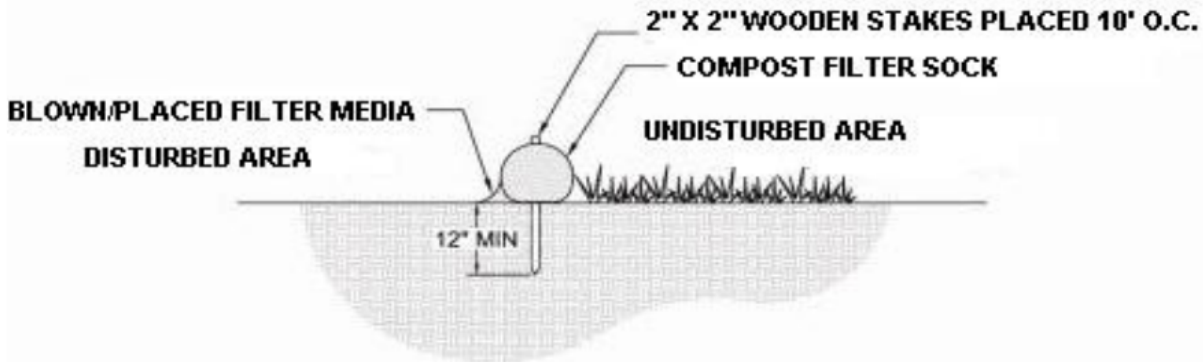


MILEPOST	DIAMETER (IN)	LOCATION	SLOPE PERCENT	SLOPE LENGTH ABOVE BARRIER (FT)
		APPROX. STATION		
3.0R2	18	159+19	25	65
3.0R2	12	159+34	18	18
3.0R2	12	159+56	21	30
3.0R2	12	159+63	25	32
3.0R2	12	160+45	5	26
3.0R2	12	160+46	9	42
3.0R2	12	160+47	9	42
3.0R2	12	160+50	11	18
3.1	12	162+19	9	129
3.1	12	162+40	9	130
3.1	12	162+59	34	12
3.1	12	162+75	35	24
3.1	12	162+88	32	35
3.1	12	163+11	18	8
3.1	18	163+53	19	71
3.1	12	163+73	12	28
3.1	12	163+74	9	75
3.1	12	163+91	12	61
3.1	12	164+44	14	46
3.1	12	164+70	14	41
3.1	12	164+86	6	15
3.1	12	165+23	16	58
3.1	12	165+53	17	61
3.2	12	167+10	20	34
3.2	12	167+70	29	31
3.2	12	167+80	28	38

# STANDARD E&S WORKSHEET #1

## Compost Filter Socks

PROJECT NAME:	PENNEAST PIPELINE PROJECT		
LOCATION:	LUZERNE COUNTY		
PROJECT COMPONENT:	MAINLINE		
PREPARED BY:	KEK / JMB	DATE:	10/2019
CHECKED BY:	MDN	DATE:	10/2019

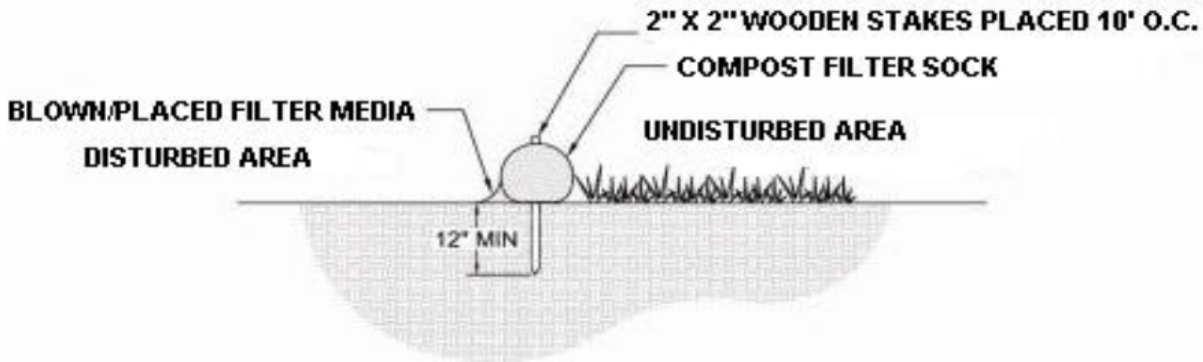


MILEPOST	DIAMETER (IN)	LOCATION	SLOPE PERCENT	SLOPE LENGTH ABOVE BARRIER (FT)
		APPROX. STATION		
3.2	18	170+11	25	75
3.2	12	170+38	24	48
3.2	12	170+61	23	25
3.2	18	171+04	24	82
3.2	18	171+24	24	63
3.2	12	171+43	24	44
3.3	12	171+64	23	23
3.3	18	172+20	25	60
3.3	12	172+52	26	27
3.3	24	172+94	31	82
3.3	18	173+28	34	46
3.3	12	173+59	35	13
3.3	24	173+84	28	91
3.3	18	174+15	27	59
3.3	12	174+50	27	22
3.3	24	174+90	27	87
3.3	18	175+19	30	57
3.3	12	175+46	33	29
3.3	24	176+03	34	77
3.3	24	176+17	33	65
3.3	18	176+35	32	49
3.3	12	176+52	30	34
3.3	12	176+70	30	20
3.4	24	177+07	27	75
3.4	18	177+31	27	49
3.4	12	177+55	27	26

# STANDARD E&S WORKSHEET #1

## Compost Filter Socks

PROJECT NAME:	PENNEAST PIPELINE PROJECT		
LOCATION:	LUZERNE COUNTY		
PROJECT COMPONENT:	MAINLINE		
PREPARED BY:	KEK / JMB	DATE:	10/2019
CHECKED BY:	MDN	DATE:	10/2019

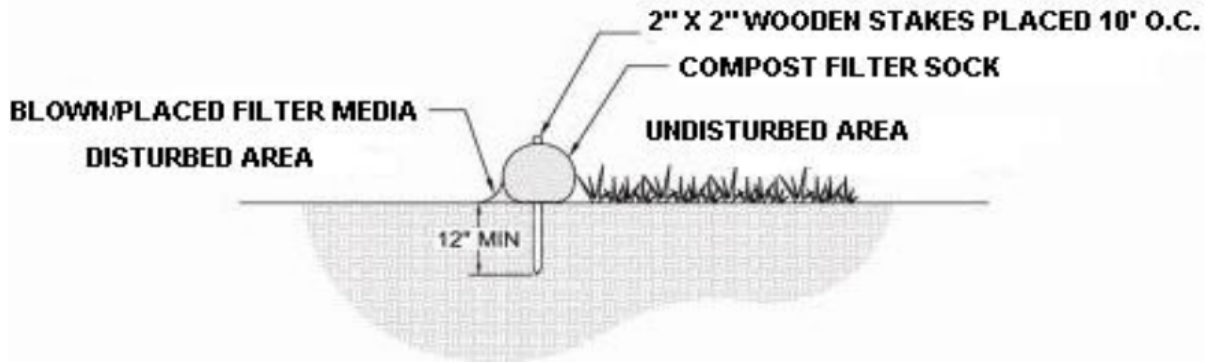


MILEPOST	DIAMETER (IN)	LOCATION	SLOPE PERCENT	SLOPE LENGTH ABOVE BARRIER (FT)
		APPROX. STATION		
3.4	12	177+97	24	36
3.4	12	178+16	24	16
3.4	12	178+41	12	98
3.4	12	178+86	8	32
3.4	12	179+61	5	107
3.4	12	180+54	5	136
3.4	12	181+53	12	93
3.4	12	181+73	10	127
3.4	18	182+04	15	109
3.5	18	182+34	18	109
3.5	24	183+02	21	105
3.5	32" DURASOXX	184+25	27	173
3.5	32" DURASOXX	184+48	28	146
3.5	24	184+56	29	78
3.5	18	184+64	29	56
3.5	12	184+68	14	31
3.5	12	184+68	19	54
3.5	12	184+73	30	28
3.5	24	185+68	15	204
3.5	12	186+48	12	74
3.5	24	187+09	13	248
3.5	32	187+11	12	274
3.5	12	187+24	14	14
3.6	18	187+71	15	113
3.6	18	187+73	14	132
3.6	18	187+73	14	121

# STANDARD E&S WORKSHEET #1

## Compost Filter Socks

PROJECT NAME:	PENNEAST PIPELINE PROJECT		
LOCATION:	LUZERNE COUNTY		
PROJECT COMPONENT:	MAINLINE		
PREPARED BY:	KEK / JMB	DATE:	10/2019
CHECKED BY:	MDN	DATE:	10/2019



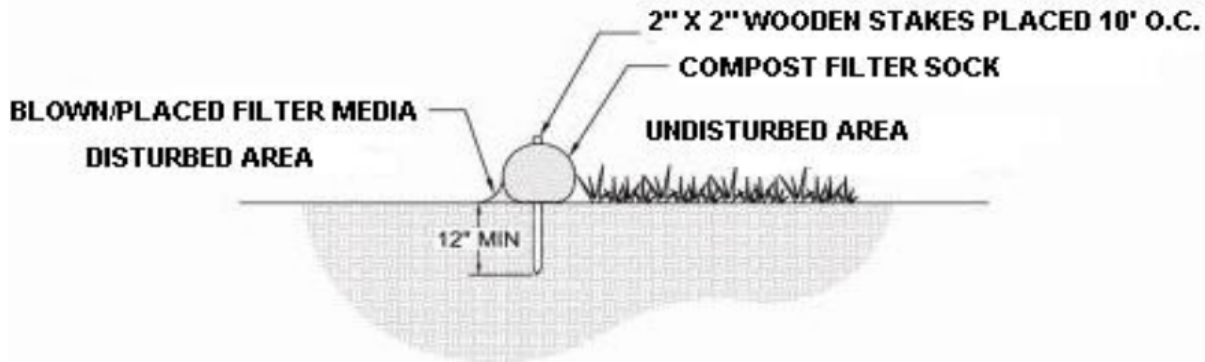
MILEPOST	DIAMETER (IN)	LOCATION	SLOPE PERCENT	SLOPE LENGTH ABOVE BARRIER (FT)
		APPROX. STATION		
3.6	18	188+05	14	102
3.6	12	188+44	14	65
3.6	12	188+82	16	30
3.6	18	189+32	23	57
3.6	12	189+59	23	32
3.6	12	190+12	19	66
3.6	12	190+46	22	32
3.6	12	191+01	30	24
3.6	12	191+48	36	28
3.6	12	192+05	37	27
3.6	18	192+42	37	43
3.6	12	192+64	36	20
3.7	12	192+97	32	38
3.7	12	193+15	31	19
3.7	12	193+34	11	90
3.7	18	193+42	19	73
3.7	12	193+68	10	57
3.7	12	193+74	17	36
3.7	12	193+95	10	31
3.7	12	195+31	11	14
3.7	12	195+88	17	66
3.7	24	195+99	20	166
3.7	18	196+01	16	81
3.7	18	196+19	16	78
3.7	18	196+34	19	131
3.7	12	196+36	17	69



# STANDARD E&S WORKSHEET #1

## Compost Filter Socks

PROJECT NAME:	PENNEAST PIPELINE PROJECT	
LOCATION:	LUZERNE COUNTY	
PROJECT COMPONENT:	MAINLINE	
PREPARED BY:	KEK / JMB	DATE: 10/2019
CHECKED BY:	MDN	DATE: 10/2019

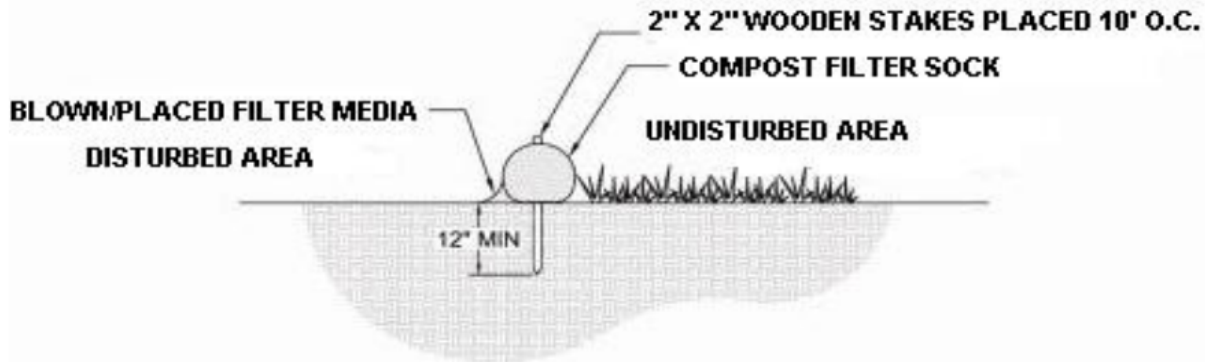


MILEPOST	DIAMETER (IN)	LOCATION	SLOPE PERCENT	SLOPE LENGTH ABOVE BARRIER (FT)
		APPROX. STATION		
3.7	12	196+69	20	67
3.7	12	197+00	15	53
3.7	12	197+21	17	67
3.7	18	197+83	8	245
3.8	18	198+11	8	237
3.8	24	198+17	8	284
3.8	32	199+45	8	321
3.8	18	200+08	10	241
3.8	18	200+40	10	227
3.8	32	200+82	10	328
3.8	32	201+34	9	343
3.8	24	201+82	11	224
3.8	12	202+14	20	14
3.8	12	202+31	19	26
3.8	12	202+48	18	39
3.8	12	202+62	18	48
3.8	12	202+76	17	57
3.9R2	12	203+64	7	33
3.9R2	12	203+85	8	40
3.9R2	12	204+02	8	54
3.9R2	12	204+21	9	69
3.9R2	12	204+40	9	83
3.9R2	12	204+59	10	96
3.9R2	12	204+77	10	110
3.9R2	12	206+86	11	17
3.9R2	12	207+07	12	28

# STANDARD E&S WORKSHEET #1

## Compost Filter Socks

PROJECT NAME:	PENNEAST PIPELINE PROJECT		
LOCATION:	LUZERNE COUNTY		
PROJECT COMPONENT:	MAINLINE		
PREPARED BY:	KEK / JMB	DATE:	10/2019
CHECKED BY:	MDN	DATE:	10/2019

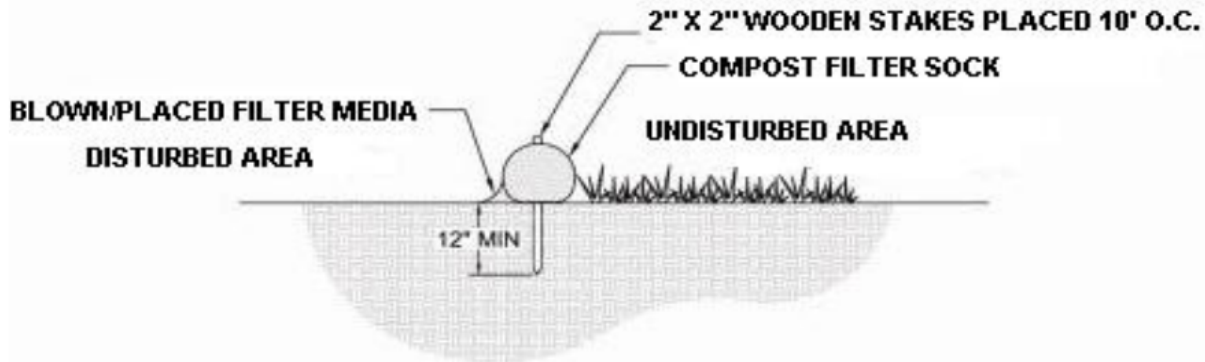


MILEPOST	DIAMETER (IN)	LOCATION	SLOPE PERCENT	SLOPE LENGTH ABOVE BARRIER (FT)
		APPROX. STATION		
3.9R2	12	207+28	12	39
3.9R2	12	207+49	13	50
3.9R2	12	207+70	13	61
3.9R2	12	208+28	22	29
4.0R2	18	208+59	22	57
4.0R2	12	209+19	23	25
4.0R2	12	209+43	24	44
4.0R2	18	209+72	24	70
4.1R2	12	216+90	6	112
4.1R2	12	217+07	5	119
4.1R2	12	217+43	4	150
4.1R2	12	218+02	4	193
4.1R2	12	218+22	4	170
4.1R2	12	218+63	10	21
4.1R2	12	218+86	11	51
4.2R2	12	219+73	25	32
4.2R2	18	219+97	26	57
4.2R2	24	220+22	27	84
4.2R2	18	222+48	15	109
4.2R2	18	222+55	15	108
4.2R2	18	222+57	16	109
4.2R2	12	223+04	13	48
4.2R2	12	223+13	13	49
4.2R2	12	223+13	13	61
4.2R2	12	223+27	14	71
4.2R2	12	223+82	18	33

# STANDARD E&S WORKSHEET #1

## Compost Filter Socks

PROJECT NAME:	PENNEAST PIPELINE PROJECT		
LOCATION:	LUZERNE COUNTY		
PROJECT COMPONENT:	MAINLINE		
PREPARED BY:	KEK / JMB	DATE:	10/2019
CHECKED BY:	MDN	DATE:	10/2019

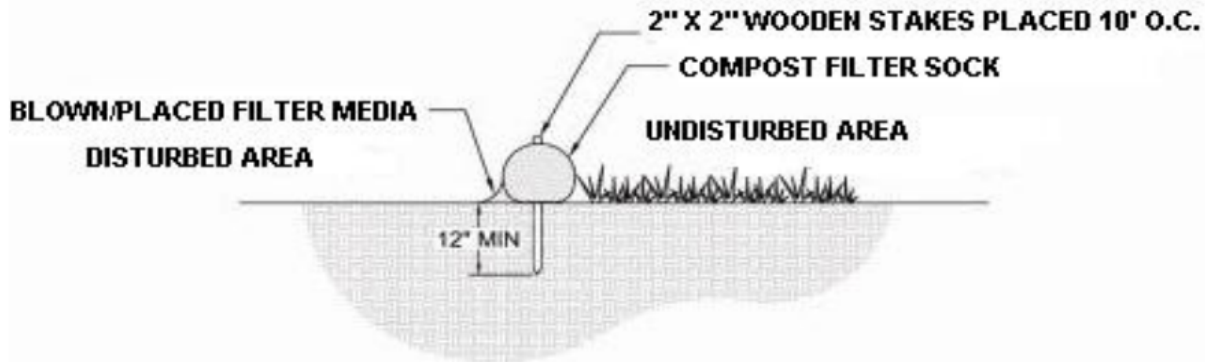


MILEPOST	DIAMETER (IN)	LOCATION	SLOPE PERCENT	SLOPE LENGTH ABOVE BARRIER (FT)
		APPROX. STATION		
4.2R2	12	224+05	19	52
4.3R2	12	224+82	19	14
4.3R2	12	225+14	19	53
4.3R2	12	225+83	13	75
4.3R2	12	226+02	14	74
4.3R2	18	226+26	13	103
4.3R2	12	226+58	10	122
4.3R2	12	226+78	8	113
4.3R2	12	226+88	8	113
4.3R2	12	226+89	8	120
4.3R2	12	227+05	8	109
4.3R2	12	227+59	10	64
4.3R2	12	227+74	10	93
4.3R2	12	227+99	13	50
4.3R2	12	228+24	15	19
4.3R2	12	228+52	21	18
4.3R2	12	228+67	23	14
4.3R2	12	228+87	18	15
4.3R2	12	229+05	8	89
4.3R2	12	229+09	15	67
4.3R2	12	229+36	14	55
4.3R2	12	229+40	6	69
4.4R3	12	229+84	7	56
4.4R3	12	230+24	7	40
4.4R3	12	231+74	5	28
4.4R3	12	232+00	1	64

# STANDARD E&S WORKSHEET #1

## Compost Filter Socks

PROJECT NAME:	PENNEAST PIPELINE PROJECT	
LOCATION:	LUZERNE COUNTY	
PROJECT COMPONENT:	MAINLINE	
PREPARED BY:	KEK / JMB	DATE: 10/2019
CHECKED BY:	MDN	DATE: 10/2019

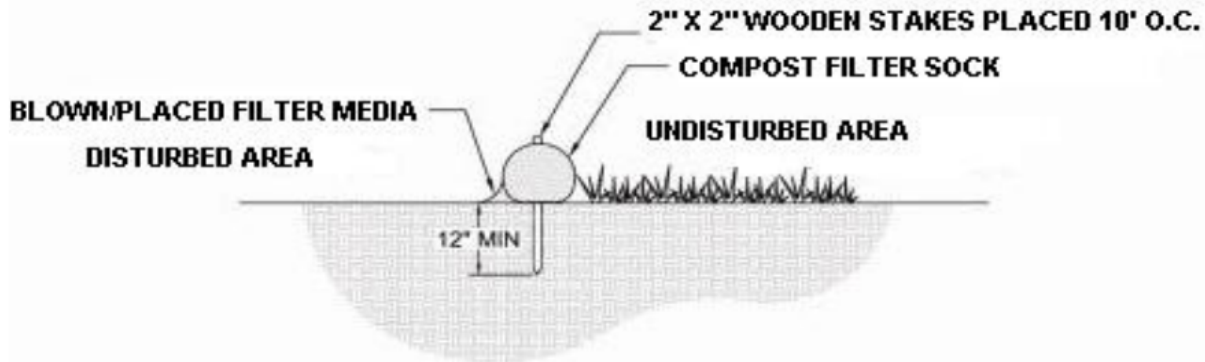


MILEPOST	DIAMETER (IN)	LOCATION	SLOPE PERCENT	SLOPE LENGTH ABOVE BARRIER (FT)
		APPROX. STATION		
4.4R3	12	232+24	8	40
4.4R3	12	232+35	1	31
4.4R3	12	232+67	12	47
4.4R3	12	232+87	15	51
4.4R3	12	233+10	15	61
4.4R3	12	233+24	6	35
4.4R3	12	233+27	16	67
4.4R3	12	233+49	19	64
4.4R3	12	233+61	9	43
4.4R3	18	233+73	21	63
4.4R3	12	233+85	12	54
4.4R3	18	234+03	20	107
4.5R3	12	237+81	6	148
4.5R3	12	238+67	5	109
4.5R3	12	239+50	8	33
4.5R3	12	239+66	8	50
4.5R3	12	239+94	9	75
4.5R3	12	240+21	9	97
4.6R3	12	240+37	9	115
4.6R3	12	240+82	10	27
4.6R3	12	241+19	9	58
4.6R3	12	241+55	8	92
4.6R3	12	241+59	7	67
4.6R3	12	241+81	8	119
4.6R3	12	242+37	11	27
4.6R3	18	242+45	11	108

# STANDARD E&S WORKSHEET #1

## Compost Filter Socks

PROJECT NAME:	PENNEAST PIPELINE PROJECT		
LOCATION:	LUZERNE COUNTY		
PROJECT COMPONENT:	MAINLINE		
PREPARED BY:	KEK / JMB	DATE:	10/2019
CHECKED BY:	MDN	DATE:	10/2019

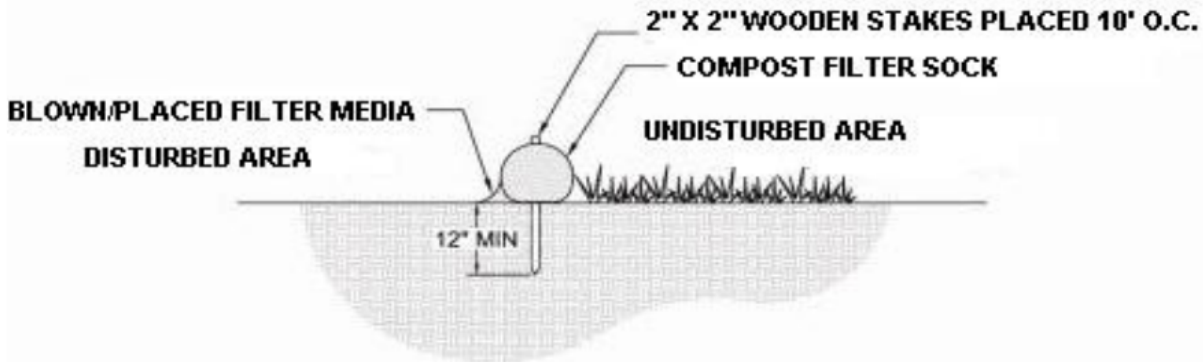


MILEPOST	DIAMETER (IN)	LOCATION	SLOPE PERCENT	SLOPE LENGTH ABOVE BARRIER (FT)
		APPROX. STATION		
4.6R3	24	242+71	7	254
4.6R3	12	243+00	8	127
4.6R3	12	243+09	8	34
4.6R3	12	243+20	9	48
4.7R3	12	246+42	6	17
4.7R3	12	246+70	4	98
4.7R3	12	247+02	1	66
4.7R3	12	250+28	17	64
4.7R3	12	250+62	15	95
4.8R3	12	251+49	10	48
4.8R3	12	251+70	10	69
4.8R3	12	252+02	10	100
4.8R3	12	252+79	12	35
4.8R3	12	253+15	12	69
4.8R3	18	253+48	13	101
4.8R3	12	254+27	16	30
4.8R3	12	254+72	16	63
4.9R3	12	256+86	14	81
4.9R3	12	257+32	15	32
4.9R3	12	257+53	15	53
4.9R3	12	257+66	14	76
4.9R3	12	258+38	13	44
4.9R3	12	258+77	13	80
4.9R3	12	259+38	14	41
4.9R3	12	259+69	14	70
4.9R3	12	260+33	17	37

# STANDARD E&S WORKSHEET #1

## Compost Filter Socks

PROJECT NAME:	PENNEAST PIPELINE PROJECT	
LOCATION:	LUZERNE COUNTY	
PROJECT COMPONENT:	MAINLINE	
PREPARED BY:	KEK / JMB	DATE: 10/2019
CHECKED BY:	MDN	DATE: 10/2019

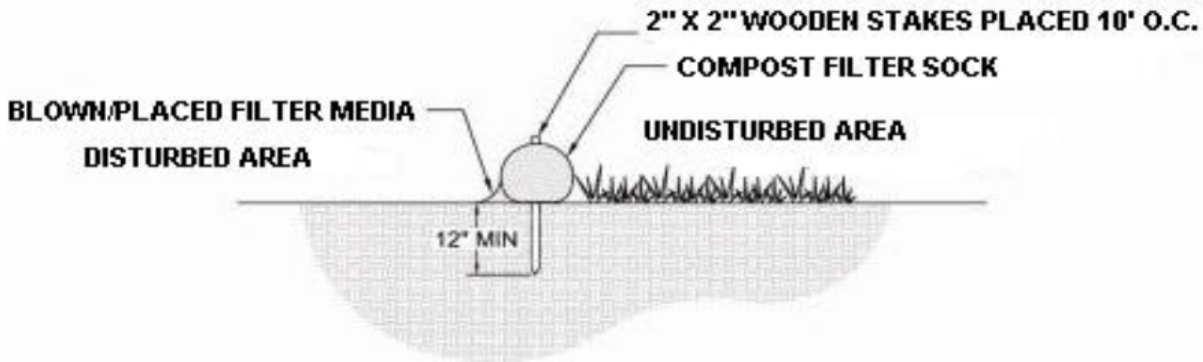


MILEPOST	DIAMETER (IN)	LOCATION	SLOPE PERCENT	SLOPE LENGTH ABOVE BARRIER (FT)
		APPROX. STATION		
4.9R3	12	260+67	17	68
5.0R3	12	261+39	17	38
5.0R3	18	261+76	16	73
5.0R3	12	262+42	15	36
5.0R3	12	262+76	16	70
5.0R3	12	263+23	36	16
5.0R3	18	263+46	36	41
5.0R3	12	263+72	29	16
5.0R3	12	263+97	28	40
5.0R3	12	264+30	21	19
5.0R3	12	264+65	20	55
5.0R3	18	265+00	19	90
5.1	12	266+06	23	18
5.1	12	266+23	16	21
5.0R3	18	267+12	22	96
5.1	12	267+25	27	24
5.1	12	267+36	23	37
5.1	18	267+65	24	72
5.1	18	268+01	22	94
5.1	12	268+32	23	12
5.1	12	268+48	24	29
5.1	12	268+59	6	31
5.1	12	268+80	13	18
5.1	18	268+87	25	53
5.1	18	271+55	33	47
5.1	24	271+74	26	80

# STANDARD E&S WORKSHEET #1

## Compost Filter Socks

PROJECT NAME:	PENNEAST PIPELINE PROJECT		
LOCATION:	LUZERNE COUNTY		
PROJECT COMPONENT:	MAINLINE		
PREPARED BY:	KEK / JMB	DATE:	10/2019
CHECKED BY:	MDN	DATE:	10/2019

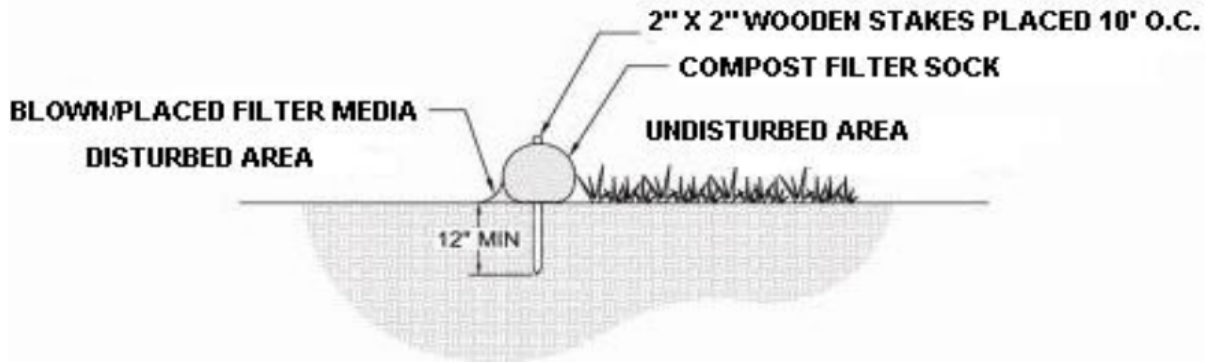


MILEPOST	DIAMETER (IN)	LOCATION	SLOPE PERCENT	SLOPE LENGTH ABOVE BARRIER (FT)
		APPROX. STATION		
5.2	12	273+23	25	33
5.2	18	273+40	31	40
5.2	18	273+61	32	53
5.2	18	273+84	19	93
5.2	12	274+22	10	31
5.2	12	275+00	0	132
5.2	12	275+64	15	25
5.2	12	275+81	13	45
5.2	12	276+03	9	77
5.2	12	276+20	10	95
5.2	18	276+40	13	118
5.2	12	276+72	15	17
5.2	12	276+92	15	34
5.2	12	277+10	14	40
5.3	12	277+72	11	71
5.3	12	277+90	12	83
5.3	12	278+08	23	11
5.3	12	278+21	23	24
5.3	12	278+35	27	41
5.3	18	278+49	30	54
5.3	24	278+65	26	80
5.3	18	278+79	25	94
5.3	24	279+11	25	113
5.3	18	279+72	35	60
5.3	24	279+91	33	75
5.3	32	280+10	31	98

# STANDARD E&S WORKSHEET #1

## Compost Filter Socks

PROJECT NAME:	PENNEAST PIPELINE PROJECT		
LOCATION:	LUZERNE COUNTY		
PROJECT COMPONENT:	MAINLINE		
PREPARED BY:	KEK / JMB	DATE:	10/2019
CHECKED BY:	MDN	DATE:	10/2019



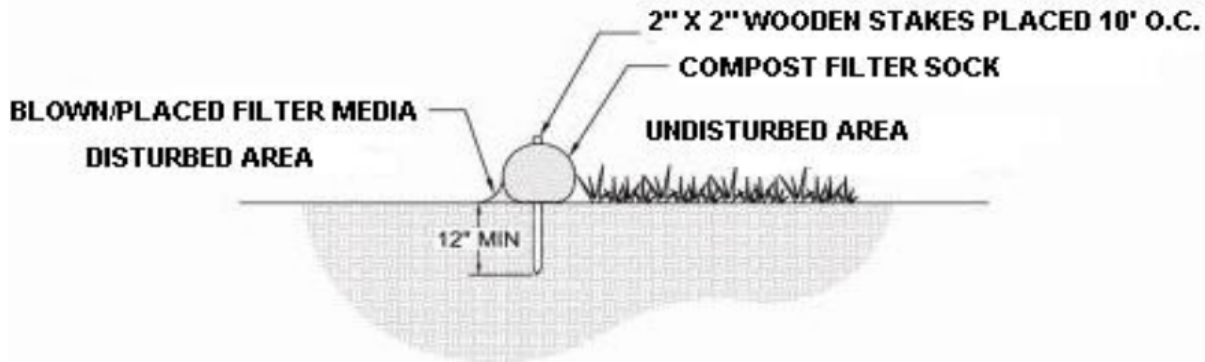
MILEPOST	DIAMETER (IN)	LOCATION	SLOPE PERCENT	SLOPE LENGTH ABOVE BARRIER (FT)
		APPROX. STATION		
5.3	32" DURASOXX	280+26	34	101
5.3	32" DURASOXX	280+41	34	104
5.3	12	281+45	26	21
5.3	12	281+61	24	31
5.3	24	282+22	33	82
5.4	12	282+48	31	30
5.4	12	282+62	23	12
5.4	12	282+81	24	11
5.4	12	282+96	4	17
5.4	12	283+12	9	34
5.4	24	283+59	31	68
5.4	24	283+71	27	82
5.4	24	284+02	23	101
5.4	12	284+62	21	37
5.4	12	284+93	18	45
5.4	12	285+88	32	30
5.4	12	285+94	27	42
5.4	12	286+12	20	67
5.4	12	286+43	17	41
5.4	18	286+78	17	90
5.4	12	286+93	15	91
5.4	12	287+05	13	87
5.4	12	287+46	2	46
5.4	12	287+49	5	32
5.5	12	287+92	2	233
5.5	12	288+73	3	181



# STANDARD E&S WORKSHEET #1

## Compost Filter Socks

PROJECT NAME:	PENNEAST PIPELINE PROJECT		
LOCATION:	LUZERNE COUNTY		
PROJECT COMPONENT:	MAINLINE		
PREPARED BY:	KEK / JMB	DATE:	10/2019
CHECKED BY:	MDN	DATE:	10/2019

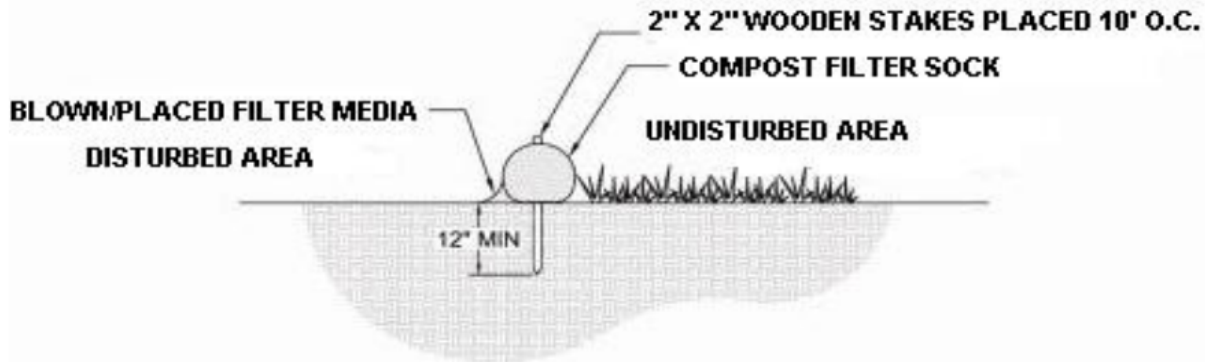


MILEPOST	DIAMETER (IN)	LOCATION	SLOPE PERCENT	SLOPE LENGTH ABOVE BARRIER (FT)
		APPROX. STATION		
5.5	12	289+14	5	56
5.5	12	289+60	6	28
5.5	12	291+27	0	65
5.5	12	291+32	0	63
5.5	12	291+67	0	72
5.5	12	292+36	3	113
5.5	12	292+58	5	131
5.5	12	292+70	5	141
5.5	18	292+86	6	155
5.6	18	293+07	6	174
5.6	12	293+86	3	148
5.6	12	294+44	2	152
5.6	12	294+76	0	126
5.6	12	294+93	0	127
5.6	12	295+20	0	118
5.6	12	295+40	1	121
5.6	12	296+27	9	26
5.6	12	296+43	8	41
5.6	12	296+59	7	56
5.6	12	297+60	2	86
5.8	12	304+02	3	108
5.8	12	304+05	4	109
5.8	12	304+35	5	108
5.8	12	304+50	5	109
5.8	12	304+70	6	103
5.8	12	304+83	6	102

# STANDARD E&S WORKSHEET #1

## Compost Filter Socks

PROJECT NAME:	PENNEAST PIPELINE PROJECT		
LOCATION:	LUZERNE COUNTY		
PROJECT COMPONENT:	MAINLINE		
PREPARED BY:	KEK / JMB	DATE:	10/2019
CHECKED BY:	MDN	DATE:	10/2019

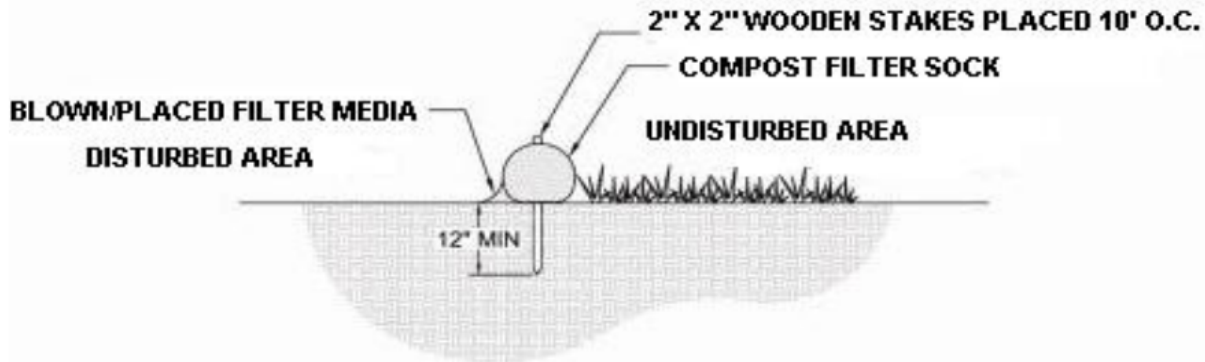


MILEPOST	DIAMETER (IN)	LOCATION	SLOPE PERCENT	SLOPE LENGTH ABOVE BARRIER (FT)
		APPROX. STATION		
5.8	12	304+94	2	161
5.8	12	305+65	2	49
6.0	12	314+46	9	34
6.0	12	314+50	10	35
6.0	12	314+57	11	27
6.0	12	314+83	7	21
6.0	12	314+92	3	66
6.0	12	314+95	0	78
6.0	12	315+04	4	75
6.0	12	315+12	2	71
6.0	12	315+15	3	64
6.0	12	315+24	3	72
6.1	12	319+82	3	212
6.1	12	319+83	3	214
6.1	12	320+35	4	28
6.1	12	320+60	4	50
6.2R2	12	326+10	2	97
6.2R2	12	326+19	1	97
6.2R2	12	326+70	1	103
6.2R2	12	327+13	1	113
6.2R2	12	327+76	2	147
6.2R2	12	328+23	2	182
6.2R2	12	328+71	6	18
6.2R2	12	328+89	7	16
6.2R2	12	329+07	1	203
6.2R2	12	329+18	1	29

# STANDARD E&S WORKSHEET #1

## Compost Filter Socks

PROJECT NAME:	PENNEAST PIPELINE PROJECT	
LOCATION:	LUZERNE COUNTY	
PROJECT COMPONENT:	MAINLINE	
PREPARED BY:	KEK / JMB	DATE: 10/2019
CHECKED BY:	MDN	DATE: 10/2019

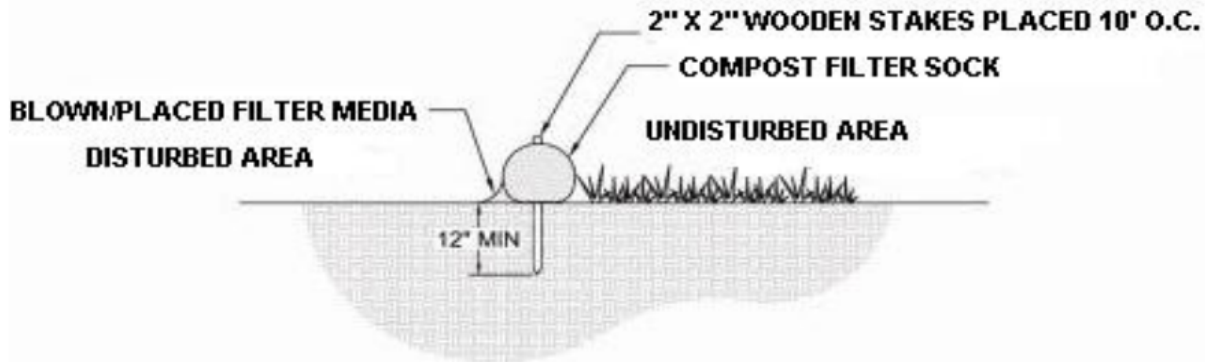


MILEPOST	DIAMETER (IN)	LOCATION	SLOPE PERCENT	SLOPE LENGTH ABOVE BARRIER (FT)
		APPROX. STATION		
6.2R2	12	329+89	1	210
6.2R2	12	329+98	1	212
6.5R2	12	341+35	1	48
6.5R2	12	341+39	1	39
6.5R2	12	341+67	2	52
6.5R2	12	341+67	1	90
6.5R2	12	342+01	8	129
6.5R2	18	342+16	9	161
6.6R2	12	346+63	1	129
6.6R2	12	347+52	1	160
6.7	24	352+22	1	394
6.7	12	354+42	1	223
6.8	12	357+32	1	177
6.8	12	358+12	2	227
6.8	12	360+79	3	202
7.0	12	367+07	23	24
7.0	12	367+07	20	29
7.0	12	367+08	29	22
7.0	12	367+09	33	21
7.1	12	372+68	16	15
7.1	12	372+96	14	15
7.1	12	374+13	6	64
7.1	18	374+41	1	318
7.1	12	374+59	11	22
7.1	18	376+04	1	291
7.1	12	376+67	3	40

# STANDARD E&S WORKSHEET #1

## Compost Filter Socks

PROJECT NAME:	PENNEAST PIPELINE PROJECT	
LOCATION:	LUZERNE COUNTY	
PROJECT COMPONENT:	MAINLINE	
PREPARED BY:	KEK / JMB	DATE: 10/2019
CHECKED BY:	MDN	DATE: 10/2019

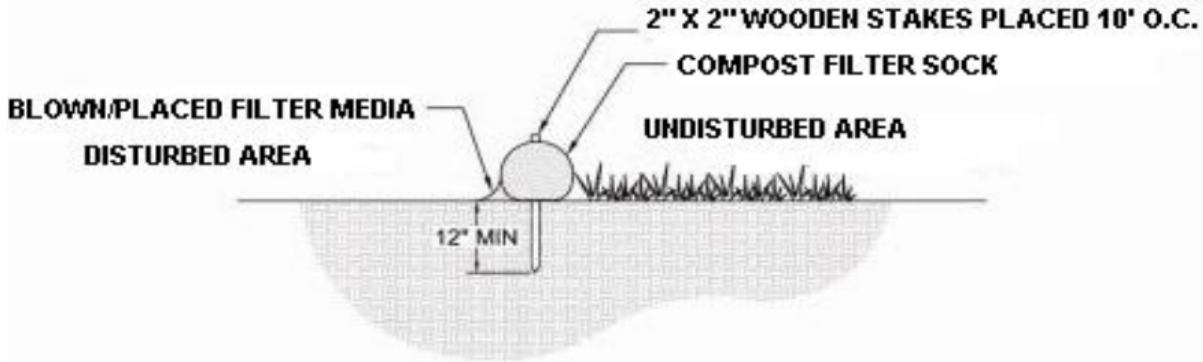


MILEPOST	DIAMETER (IN)	LOCATION	SLOPE PERCENT	SLOPE LENGTH ABOVE BARRIER (FT)
		APPROX. STATION		
7.1	12	376+96	7	68
7.1	12	377+22	5	91
7.1	12	377+40	8	108
7.2	12	377+61	8	132
7.2	12	378+10	8	51
7.3R3	18	382+79	30	68
7.3R3	12	387+02	5	75
7.3R3	12	387+72	8	21
7.4R3	24	388+69	3	413
7.4R3	24	388+88	3	416
7.6R3	12	401+11	2	139
7.7R3	24	405+12	23	126
7.7R3	24	405+64	23	122
7.7R3	24	405+93	21	129
7.7R3	24	406+33	21	125
7.7R3	24	407+31	23	122
7.7R3	24	407+66	21	124
7.7R3	18	407+83	20	124
7.7R3	18	408+12	16	135
7.7R3	18	409+16	19	87
7.8R3	18	409+41	16	87
7.8R3	12	409+67	15	87
7.8R3	18	409+83	18	94
7.8R3	18	410+09	19	71
7.8R3	12	410+34	19	52
7.8R3	12	410+54	15	40

# STANDARD E&S WORKSHEET #1

## Compost Filter Socks

PROJECT NAME:	PENNEAST PIPELINE PROJECT	
LOCATION:	LUZERNE COUNTY	
PROJECT COMPONENT:	MAINLINE	
PREPARED BY:	KEK / JMB	DATE: 10/2019
CHECKED BY:	MDN	DATE: 10/2019

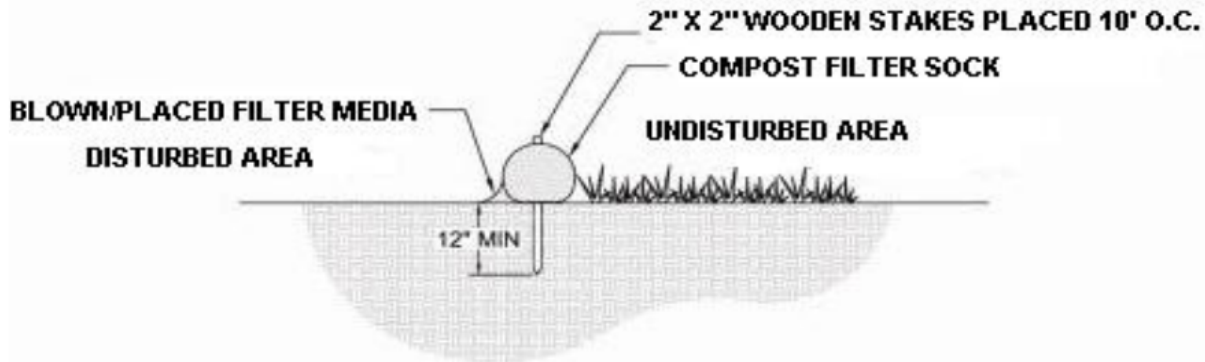


MILEPOST	DIAMETER (IN)	LOCATION	SLOPE PERCENT	SLOPE LENGTH ABOVE BARRIER (FT)
		APPROX. STATION		
7.8R3	12	410+79	8	42
7.8R3	12	411+47	12	13
7.8R3	12	411+80	19	29
7.8R3	12	412+04	19	52
7.8R3	24	414+13	21	110
7.9R3	24	416+53	21	146
7.9R3	32" DURASOXX	416+62	22	200
7.9R3	32" DURASOXX	417+57	23	184
7.9R3	32" DURASOXX	418+30	21	184
7.9R3	24	419+29	20	174
8.0R3	24	420+29	20	166
8.0R3	24	423+10	24	135
8.1R3	24	425+72	25	125
8.1R3	32" DURASOXX	427+48	21	182
8.1R3	32" DURASOXX	428+26	22	184
8.1R3	32	429+52	17	232
8.2R2	32	430+84	16	237
8.2R2	32	431+79	14	275
8.2R2	24	431+90	15	233
8.2R2	32	432+10	14	268
8.2R2	18	432+30	10	216
8.2R2	24	432+61	15	245
8.2R2	18	434+62	6	151
8.2R2	12	435+51	4	156
8.3R3	12	436+17	5	231
8.3R3	18	436+55	5	255

# STANDARD E&S WORKSHEET #1

## Compost Filter Socks

PROJECT NAME:	PENNEAST PIPELINE PROJECT	
LOCATION:	LUZERNE COUNTY	
PROJECT COMPONENT:	MAINLINE	
PREPARED BY:	KEK / JMB	DATE: 10/2019
CHECKED BY:	MDN	DATE: 10/2019

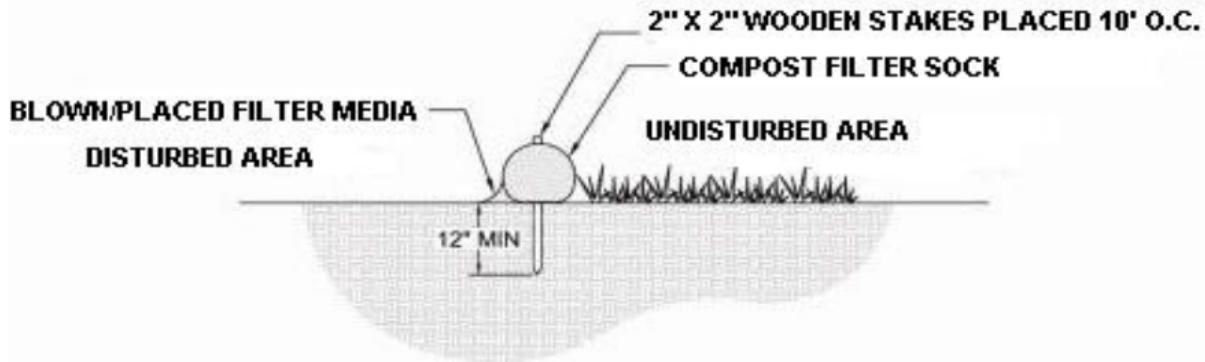


MILEPOST	DIAMETER (IN)	LOCATION	SLOPE PERCENT	SLOPE LENGTH ABOVE BARRIER (FT)
		APPROX. STATION		
8.3R3	12	436+67	4	220
8.3R3	12	437+30	4	160
8.3R3	12	437+66	5	244
8.3R3	12	437+66	4	115
8.3R3	12	437+86	4	127
8.3R3	12	438+14	4	99
8.3R3	12	438+42	5	61
8.3R3	12	439+36	7	83
8.3R3	12	439+75	7	43
8.3R3	24	440+72	10	291
8.4R3	24	440+97	10	284
8.4R3	32	442+48	10	313
8.4R3	24	444+53	10	293
8.4R3	32	445+24	9	345
8.5R3	12	446+51	7	90
8.5R3	12	446+54	7	78
8.5R3	12	447+12	9	106
8.5R3	12	447+35	9	67
8.5R3	12	447+72	9	30
8.5R3	12	448+28	12	74
8.5R3	12	448+57	14	45
8.5R3	12	448+71	15	34
8.5R3	12	451+25	8	67
8.6R3	12	451+46	8	45
8.6R3	12	451+66	8	24
8.6R3	12	452+63	7	80

# STANDARD E&S WORKSHEET #1

## Compost Filter Socks

PROJECT NAME:	PENNEAST PIPELINE PROJECT	
LOCATION:	LUZERNE COUNTY	
PROJECT COMPONENT:	MAINLINE	
PREPARED BY:	KEK / JMB	DATE: 10/2019
CHECKED BY:	MDN	DATE: 10/2019

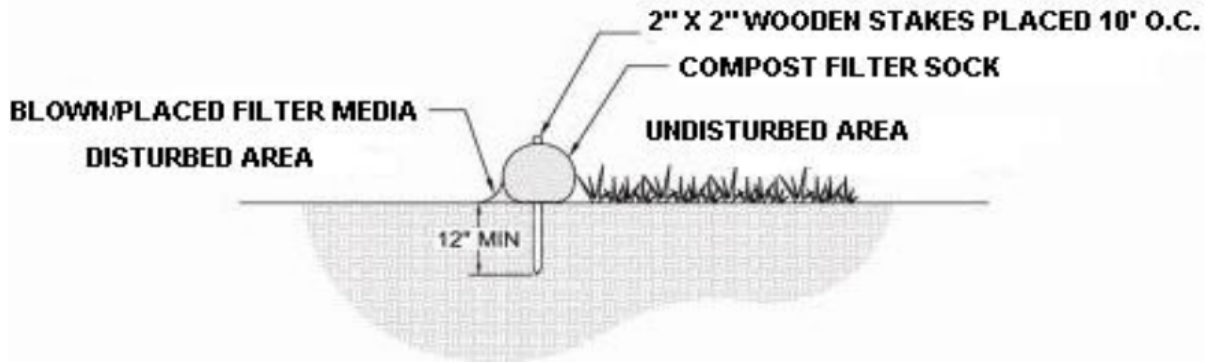


MILEPOST	DIAMETER (IN)	LOCATION	SLOPE PERCENT	SLOPE LENGTH ABOVE BARRIER (FT)
		APPROX. STATION		
8.6R3	12	452+84	8	58
8.6R3	12	453+05	9	35
8.6R3	12	453+94	9	96
8.6R3	12	454+15	8	76
8.6R3	12	454+35	6	54
8.6R3	12	454+94	3	60
8.6R3	12	455+26	3	138
8.6R3	12	455+47	8	20
8.6R3	12	455+64	10	45
8.6R3	12	455+82	9	73
8.6R3	12	455+97	12	87
8.6R3	12	456+36	15	29
8.6R3	12	456+52	6	21
8.7R3	12	456+74	1	19
8.7R3	24	457+05	29	72
8.7R3	24	457+23	32	76
8.7R3	24	457+39	31	88
8.7R3	24	457+55	31	80
8.7R3	32" DURASOXX	458+12	53	40
8.7R3	32" DURASOXX	458+25	52	44
8.7R3	32" DURASOXX	458+40	51	63
8.7R3	18	459+60	8	155
8.7R3	32" DURASOXX	460+59	51	75
8.7R3	32" DURASOXX	460+81	55	64
8.7R3	32" DURASOXX	461+02	56	51
8.7R3	32" DURASOXX	461+19	60	25

# STANDARD E&S WORKSHEET #1

## Compost Filter Socks

PROJECT NAME:	PENNEAST PIPELINE PROJECT	
LOCATION:	LUZERNE COUNTY	
PROJECT COMPONENT:	MAINLINE	
PREPARED BY:	KEK / JMB	DATE: 10/2019
CHECKED BY:	MDN	DATE: 10/2019



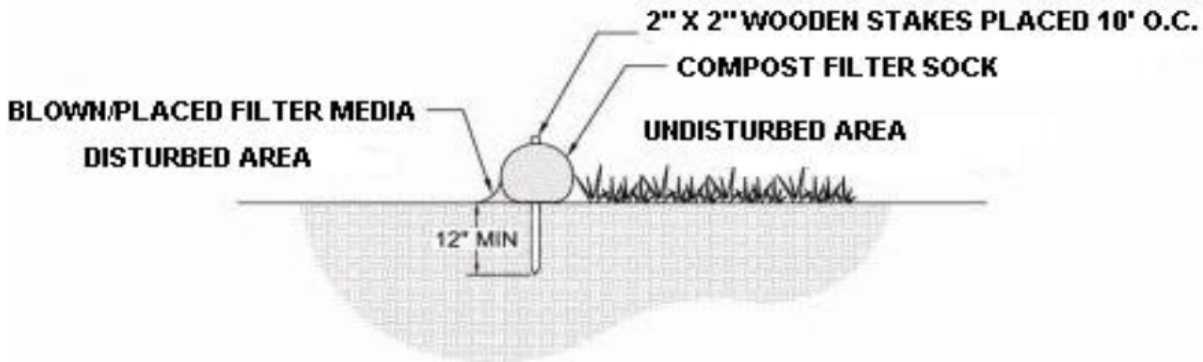
MILEPOST	DIAMETER (IN)	LOCATION	SLOPE PERCENT	SLOPE LENGTH ABOVE BARRIER (FT)
		APPROX. STATION		
8.7R3	32" DURASOXX	461+41	63	28
8.8R3	32" DURASOXX	464+53	36	181
8.8R3	32" DURASOXX	465+67	25	266
8.8R3	32" DURASOXX	465+89	31	147
8.8R3	32" DURASOXX	467+22	26	140
8.9R3	24	467+83	19	160
9.0R2	12	472+19	27	20
9.0R2	12	472+58	32	24
9.0R2	12	473+05	12	22
9.0R2	12	473+47	44	17
9.0R2	18	473+68	13	101
9.0R2	12	473+87	15	85
9.0R2	12	473+96	16	69
9.0R2	12	473+96	13	52
9.0R2	12	474+11	10	27
9.0R2	32" DURASOXX	475+57	28	174
9.0R2	32" DURASOXX	476+48	22	220
9.0R2	12	477+26	0	163
9.1R2	12	481+37	2	148
9.2R2	12	484+74	16	38
9.2R2	12	486+38	3	134
9.3R3	12	489+39	5	17
9.3R3	12	489+91	9	71
9.3R3	12	490+20	9	44
9.3R3	12	491+15	9	25
9.3R3	12	491+51	8	14



# STANDARD E&S WORKSHEET #1

## Compost Filter Socks

PROJECT NAME:	PENNEAST PIPELINE PROJECT	
LOCATION:	LUZERNE COUNTY	
PROJECT COMPONENT:	MAINLINE	
PREPARED BY:	KEK / JMB	DATE: 10/2019
CHECKED BY:	MDN	DATE: 10/2019

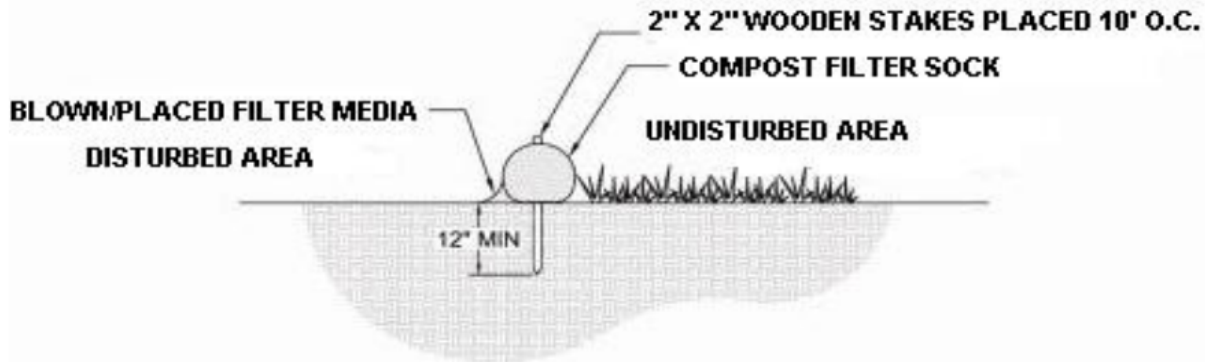


MILEPOST	DIAMETER (IN)	LOCATION	SLOPE PERCENT	SLOPE LENGTH ABOVE BARRIER (FT)
		APPROX. STATION		
9.3R3	12	492+15	5	136
9.3R3	12	492+57	4	117
9.6R2	12	507+76	18	22
9.6R2	12	508+07	19	53
9.6R2	18	508+27	17	87
9.6R2	12	508+47	42	23
9.7R2	18	510+89	28	50
9.7R2	18	510+92	29	51
9.7R2	12	511+81	22	32
9.7R2	12	512+14	32	16
9.7R2	12	512+52	37	21
9.7R2	18	512+76	14	198
9.7R2	24	512+77	16	169
9.7R2	18	512+78	15	177
9.7R2	18	512+78	15	175
9.7R2	18	512+97	13	176
9.7R2	18	513+24	13	149
9.7R2	18	513+83	19	77
9.7R2	18	513+87	20	78
9.7R2	18	513+92	21	77
9.8R2	32" DURASOXX	515+14	31	101
9.9R2	12	525+18	15	27
10R2	12	525+55	5	12
10.0R2	12	528+14	11	96
10.0R2	12	528+28	15	63
10.0R2	12	528+45	19	60

# STANDARD E&S WORKSHEET #1

## Compost Filter Socks

PROJECT NAME:	PENNEAST PIPELINE PROJECT	
LOCATION:	LUZERNE COUNTY	
PROJECT COMPONENT:	MAINLINE	
PREPARED BY:	KEK / JMB	DATE: 10/2019
CHECKED BY:	MDN	DATE: 10/2019

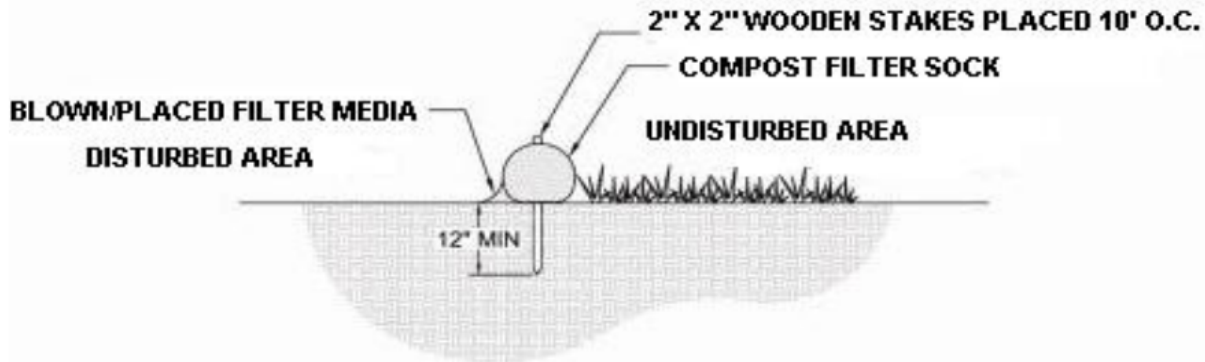


MILEPOST	DIAMETER (IN)	LOCATION	SLOPE PERCENT	SLOPE LENGTH ABOVE BARRIER (FT)
		APPROX. STATION		
10.0R2	18	528+62	22	69
10.0R2	18	528+81	21	87
10.0R2	18	529+01	19	90
10.0R2	18	529+24	15	117
10.0R2	12	529+68	10	139
10.0R2	12	529+87	1	12
10.0R2	12	530+00	4	14
10.1R2	12	530+86	2	14
10.1R2	12	531+13	12	92
10.1R2	12	531+32	8	26
10.1R2	12	531+56	1	69
10.1R2	12	531+70	7	35
10.1R2	12	531+72	9	50
10.1R2	12	531+75	8	77
10.1R2	12	531+97	11	37
10.1R2	12	532+14	4	86
10.1R2	12	532+18	13	17
10.1R2	18	532+48	13	162
10.1R2	12	532+54	15	25
10.1R2	18	532+76	14	134
10.1R2	18	532+96	15	115
10.1R2	18	533+09	16	102
10.1R2	18	533+26	16	85
10.1R2	12	533+51	15	61
10.1R2	12	533+53	8	23
10.1R2	12	533+66	15	45

# STANDARD E&S WORKSHEET #1

## Compost Filter Socks

PROJECT NAME:	PENNEAST PIPELINE PROJECT	
LOCATION:	LUZERNE COUNTY	
PROJECT COMPONENT:	MAINLINE	
PREPARED BY:	KEK / JMB	DATE: 10/2019
CHECKED BY:	MDN	DATE: 10/2019

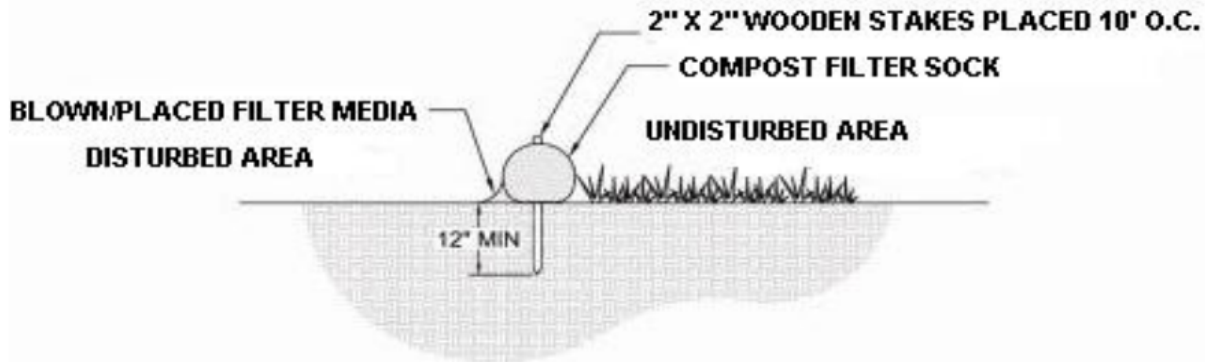


MILEPOST	DIAMETER (IN)	LOCATION	SLOPE PERCENT	SLOPE LENGTH ABOVE BARRIER (FT)
		APPROX. STATION		
10.1R2	12	533+74	11	50
10.1R2	12	533+94	15	17
10.1R2	12	534+27	10	68
10.1R2	12	534+41	11	29
10.1R2	12	534+50	9	44
10.1R2	12	534+63	6	22
10.1R2	12	534+70	8	22
10.1R2	12	534+92	7	28
10.1R2	12	535+18	6	55
10.2R2	12	537+33	10	25
10.2R2	18	537+66	17	103
10.2R2	24	537+86	21	130
10.2R2	32" DURASOXX	538+47	39	125
10.2R2	32" DURASOXX	538+64	35	135
10.2R2	32" DURASOXX	538+91	16	313
10.2R2	32" DURASOXX	538+92	29	181
10.2R2	32" DURASOXX	539+31	13	352
10.2R2	32	539+86	13	343
10.3R2	12	545+70	4	97
10.7R2	12	565+45	5	118
10.7R2	12	566+03	5	176
10.7R2	12	566+56	5	249
10.7R2	12	567+16	7	58
10.8R2	12	567+63	6	133
10.8R2	12	568+91	25	14
10.8R2	32" DURASOXX	569+28	52	17

# STANDARD E&S WORKSHEET #1

## Compost Filter Socks

PROJECT NAME:	PENNEAST PIPELINE PROJECT		
LOCATION:	LUZERNE COUNTY		
PROJECT COMPONENT:	MAINLINE		
PREPARED BY:	KEK / JMB	DATE:	10/2019
CHECKED BY:	MDN	DATE:	10/2019

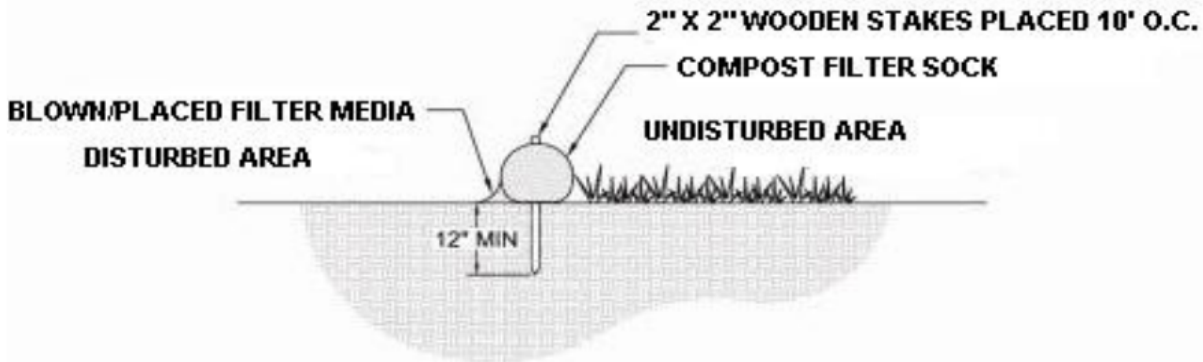


MILEPOST	DIAMETER (IN)	LOCATION	SLOPE PERCENT	SLOPE LENGTH ABOVE BARRIER (FT)
		APPROX. STATION		
10.8R2	12	569+55	43	29
10.8R2	18	569+96	27	50
10.8R2	24	570+21	32	68
10.8R2	32" DURASOXX	570+45	51	20
10.8R2	32	570+70	50	48
10.8R2	32" DURASOXX	570+94	53	17
10.8R2	32" DURASOXX	571+22	53	50
10.8R2	18	571+47	46	23
10.8R2	24	571+73	44	52
10.8R2	12	572+67	10	11
10.9R2	12	573+00	28	10
10.9R2	18	573+13	28	48
10.9R2	12	573+53	12	29
10.9R2	18	573+68	41	38
10.9R2	12	573+88	40	20
10.9R2	12	573+98	36	13
10.9R2	12	574+31	15	61
10.9R2	12	574+55	18	37
10.9R2	12	574+79	23	14
10.9R2	12	575+09	18	30
10.9R2	12	575+28	15	30
10.9R2	12	575+56	18	31
10.9R2	18	576+25	17	77
10.9R2	18	578+09	25	92
11.0R2	18	578+39	28	54
11.0R2	12	578+75	29	22

# STANDARD E&S WORKSHEET #1

## Compost Filter Socks

PROJECT NAME:	PENNEAST PIPELINE PROJECT		
LOCATION:	LUZERNE COUNTY		
PROJECT COMPONENT:	MAINLINE		
PREPARED BY:	KEK / JMB	DATE:	10/2019
CHECKED BY:	MDN	DATE:	10/2019

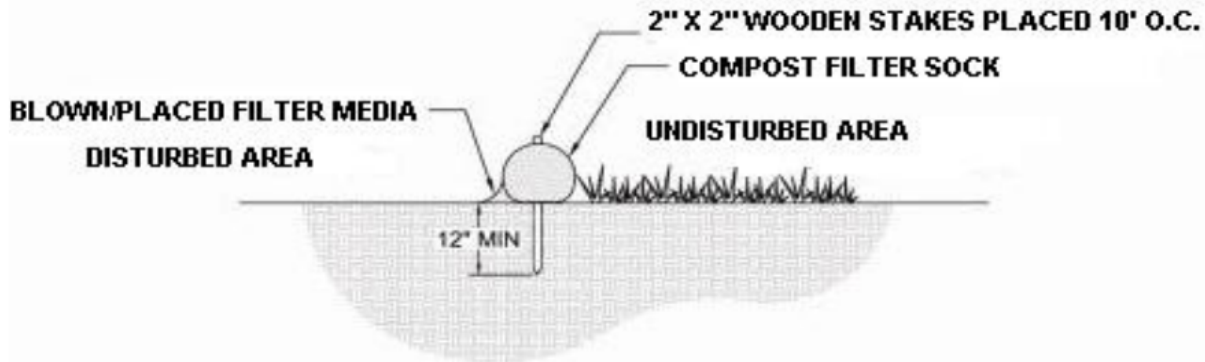


MILEPOST	DIAMETER (IN)	LOCATION	SLOPE PERCENT	SLOPE LENGTH ABOVE BARRIER (FT)
		APPROX. STATION		
11.0R2	12	579+19	24	29
11.0R2	12	579+45	17	12
11.0R2	12	579+68	14	96
11.0R2	12	580+19	12	51
11.0R2	12	580+50	12	25
11.0R2	12	580+74	5	183
11.0R2	12	581+33	5	154
11.0R2	12	582+55	34	36
11.0R2	12	582+80	35	11
11.1R2	12	585+07	14	75
11.1R2	18	586+32	12	101
11.1R2	12	586+59	12	74
11.1R2	12	586+79	12	55
11.1R2	12	587+30	10	28
11.1R2	18	588+11	25	54
11.1R2	12	588+48	24	22
11.2R2	12	590+92	13	73
11.2R2	12	591+24	13	45
11.2R2	12	591+55	13	19
11.2R2	12	591+94	10	55
11.2R2	18	591+96	13	157
11.2R2	18	592+08	16	145
11.2R2	18	592+37	17	131
11.2R2	18	592+72	17	135
11.2R2	18	593+06	19	142
11.2R2	24	593+58	24	128

# STANDARD E&S WORKSHEET #1

## Compost Filter Socks

PROJECT NAME:	PENNEAST PIPELINE PROJECT	
LOCATION:	LUZERNE COUNTY	
PROJECT COMPONENT:	MAINLINE	
PREPARED BY:	KEK / JMB	DATE: 10/2019
CHECKED BY:	MDN	DATE: 10/2019

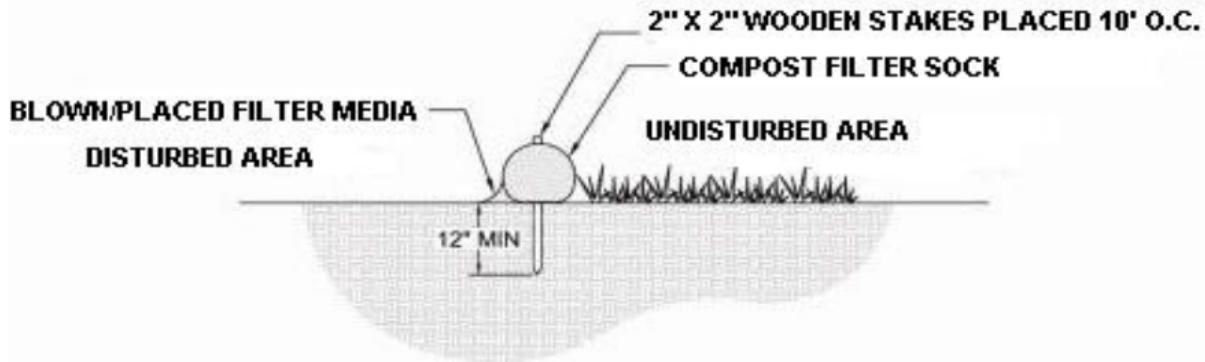


MILEPOST	DIAMETER (IN)	LOCATION	SLOPE PERCENT	SLOPE LENGTH ABOVE BARRIER (FT)
		APPROX. STATION		
11.2R2	24	594+19	25	121
11.3R2	18	594+75	25	88
11.3R2	12	595+65	12	96
11.3R2	12	595+98	12	61
11.3R2	12	596+26	13	32
11.3R2	12	596+53	14	15
11.3R2	18	596+80	15	111
11.3R2	12	596+94	15	97
11.3R2	12	597+21	14	72
11.3R2	12	597+47	14	45
11.3R2	12	597+76	13	18
11.3R2	18	598+11	15	113
11.3R2	12	598+40	15	91
11.3R2	18	598+68	14	138
11.3R2	12	599+24	19	12
11.4R2	12	599+43	20	34
11.4R2	18	599+64	23	53
11.4R2	12	599+93	23	21
11.4R2	12	600+21	22	47
11.4R2	18	600+60	15	103
11.4R2	12	600+97	13	100
11.4R2	18	601+09	13	101
11.4R2	18	601+68	16	97
11.4R2	18	601+98	18	101
11.4R2	18	602+19	19	101
11.4R2	24	602+46	21	101

# STANDARD E&S WORKSHEET #1

## Compost Filter Socks

PROJECT NAME:	PENNEAST PIPELINE PROJECT		
LOCATION:	LUZERNE COUNTY		
PROJECT COMPONENT:	MAINLINE		
PREPARED BY:	KEK / JMB	DATE:	10/2019
CHECKED BY:	MDN	DATE:	10/2019

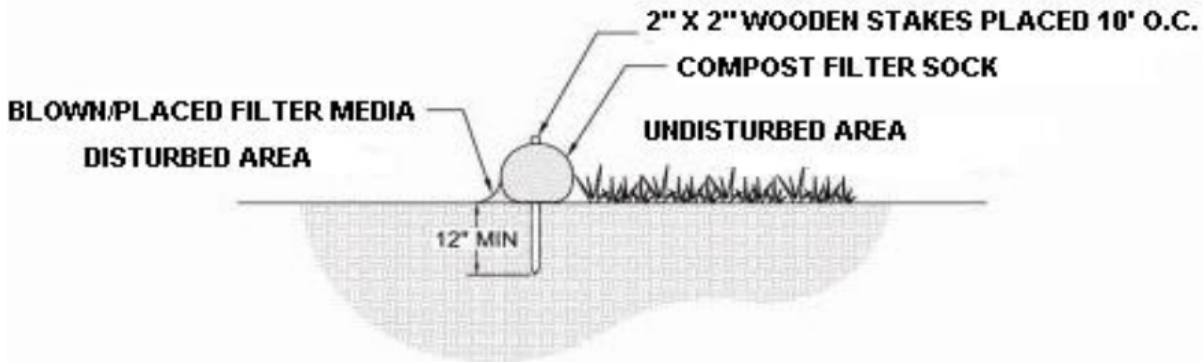


MILEPOST	DIAMETER (IN)	LOCATION	SLOPE PERCENT	SLOPE LENGTH ABOVE BARRIER (FT)
		APPROX. STATION		
11.4R2	18	602+55	11	108
11.4R2	18	602+99	11	150
11.4R2	18	603+20	10	150
11.4R2	18	603+40	9	152
11.4R2	18	603+86	9	154
11.4R2	18	604+09	11	124
11.4R2	18	604+46	12	146
11.5R2	12	604+81	16	18
11.5R2	12	604+93	6	13
11.5R2	12	605+23	6	141
11.5R2	12	605+50	5	113
11.5R2	12	606+00	5	68
11.5R2	12	607+26	3	72
11.5R2	12	607+89	3	12
11.5R2	12	608+28	12	73
11.5R2	12	608+63	14	39
11.5R2	12	608+89	15	14
11.5R2	18	609+21	9	179
11.5R2	12	609+77	5	43
11.6R2	12	609+86	9	111
11.6R2	12	609+87	6	46
11.6R2	12	609+97	8	92
11.6R2	12	610+46	10	64
11.6R2	12	610+52	8	26
11.6R2	12	610+62	11	48
11.6R2	12	610+93	13	18

# STANDARD E&S WORKSHEET #1

## Compost Filter Socks

PROJECT NAME:	PENNEAST PIPELINE PROJECT	
LOCATION:	LUZERNE COUNTY	
PROJECT COMPONENT:	MAINLINE	
PREPARED BY:	KEK / JMB	DATE: 10/2019
CHECKED BY:	MDN	DATE: 10/2019



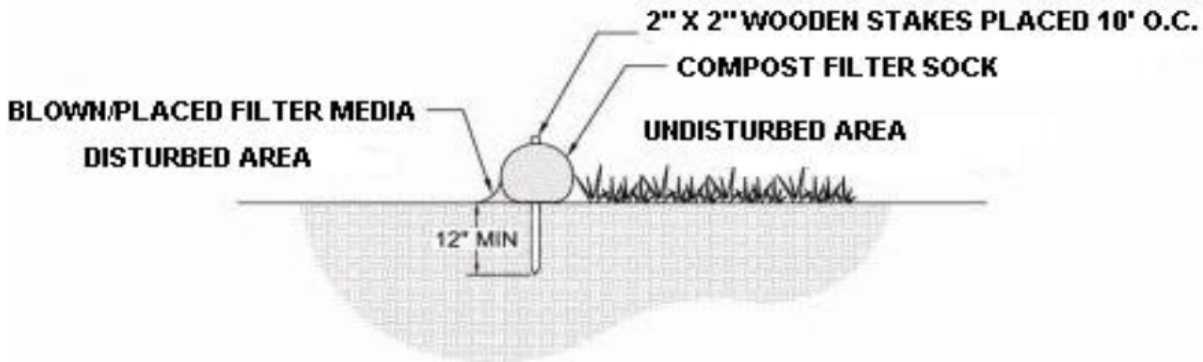
MILEPOST	DIAMETER (IN)	LOCATION	SLOPE PERCENT	SLOPE LENGTH ABOVE BARRIER (FT)
		APPROX. STATION		
11.6R2	24	611+19	18	181
11.6R2	18	612+37	18	88
11.6R2	18	612+39	16	74
11.6R2	12	612+43	13	88
11.6R2	12	612+47	12	80
11.6R2	12	613+96	12	67
11.6R2	12	614+36	12	49
11.6R2	18	615+22	23	80
11.7R4	18	615+44	26	50
11.7R4	12	615+62	25	36
11.7R4	12	615+83	20	18
11.7R4	12	616+18	15	85
11.7R4	12	616+43	14	71
11.7R4	12	616+67	13	66
11.7R4	12	616+88	12	53
11.7R4	12	617+13	12	33
11.7R4	12	617+53	14	83
11.7R4	12	617+73	14	65
11.7R4	12	617+98	15	48
11.7R4	12	619+85	6	13
11.7R4	12	620+48	11	53
11.8R4	12	620+78	25	11
11.8R4	12	620+78	7	102
11.8R4	12	620+78	8	111
11.8R4	12	621+18	13	28
11.8R4	12	621+37	15	13



# STANDARD E&S WORKSHEET #1

## Compost Filter Socks

PROJECT NAME:	PENNEAST PIPELINE PROJECT		
LOCATION:	LUZERNE COUNTY		
PROJECT COMPONENT:	MAINLINE		
PREPARED BY:	KEK / JMB	DATE:	10/2019
CHECKED BY:	MDN	DATE:	10/2019

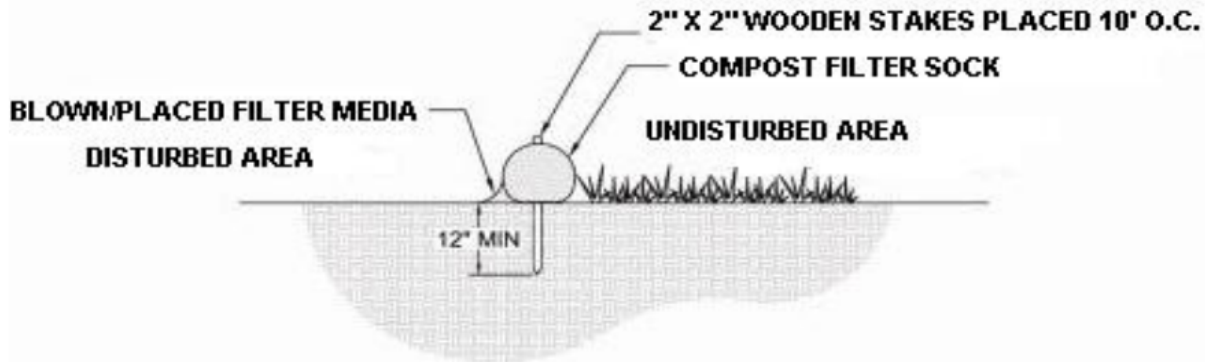


MILEPOST	DIAMETER (IN)	LOCATION	SLOPE PERCENT	SLOPE LENGTH ABOVE BARRIER (FT)
		APPROX. STATION		
11.8R4	18	621+64	16	93
11.8R4	18	621+87	16	73
11.8R4	12	622+10	15	53
11.8R4	12	622+34	15	33
11.8R4	12	622+58	13	14
11.8R4	12	622+85	6	55
11.8R4	12	623+04	6	112
11.8R4	12	623+28	8	93
11.8R4	12	624+88	12	28
11.9R4	12	627+34	21	31
11.9R4	12	627+53	24	14
11.9R4	18	627+98	21	58
11.9R4	12	628+24	21	36
11.9R4	12	628+49	20	14
11.9R4	12	629+26	18	15
11.9R4	18	629+53	16	79
11.9R4	12	629+75	15	62
12.1R4	12	630+13	24	22
12.1R4	12	630+34	22	38
12.1R4	18	630+54	22	52
11.9R4	12	630+56	15	50
12.1R4	18	630+85	20	77
12.0R3	18	631+07	19	91
12.0R3	18	631+07	19	77
12.0R3	12	631+10	19	67
12.0R3	12	631+20	19	66

# STANDARD E&S WORKSHEET #1

## Compost Filter Socks

PROJECT NAME:	PENNEAST PIPELINE PROJECT	
LOCATION:	LUZERNE COUNTY	
PROJECT COMPONENT:	MAINLINE	
PREPARED BY:	KEK / JMB	DATE: 10/2019
CHECKED BY:	MDN	DATE: 10/2019

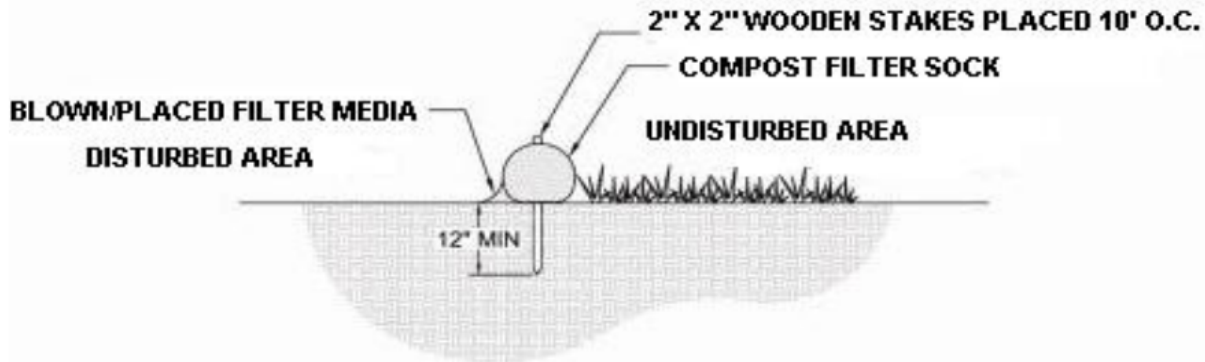


MILEPOST	DIAMETER (IN)	LOCATION	SLOPE PERCENT	SLOPE LENGTH ABOVE BARRIER (FT)
		APPROX. STATION		
11.9R4	12	631+21	12	36
12.0R3	18	631+44	19	72
12.0R3	18	631+66	21	73
12.0R3	18	631+83	22	77
12.0R3	18	631+93	23	74
12.0R3	18	632+07	24	73
12.0R4	12	632+07	11	21
12.0R3	24	632+49	24	128
12.0R3	18	633+05	16	139
12.0R3	18	633+19	13	176
12.0R3	18	633+60	13	143
12.0R3	18	633+60	13	125
12.0R3	18	633+60	13	109
12.0R3	12	633+67	13	92
12.0R3	18	633+85	13	160
12.0R4	12	633+91	9	39
12.0R3	12	634+03	12	28
12.0R3	12	634+17	13	14
12.0R3	12	634+43	13	74
12.0R3	12	634+64	13	58
12.0R3	12	634+83	13	44
12.0R4	12	634+87	8	48
12.0R3	12	635+04	13	26
12.0R3	12	635+24	13	10
12.0R3	12	635+44	13	56
12.0R3	12	635+75	12	43

# STANDARD E&S WORKSHEET #1

## Compost Filter Socks

PROJECT NAME:	PENNEAST PIPELINE PROJECT		
LOCATION:	LUZERNE COUNTY		
PROJECT COMPONENT:	MAINLINE		
PREPARED BY:	KEK / JMB	DATE:	10/2019
CHECKED BY:	MDN	DATE:	10/2019

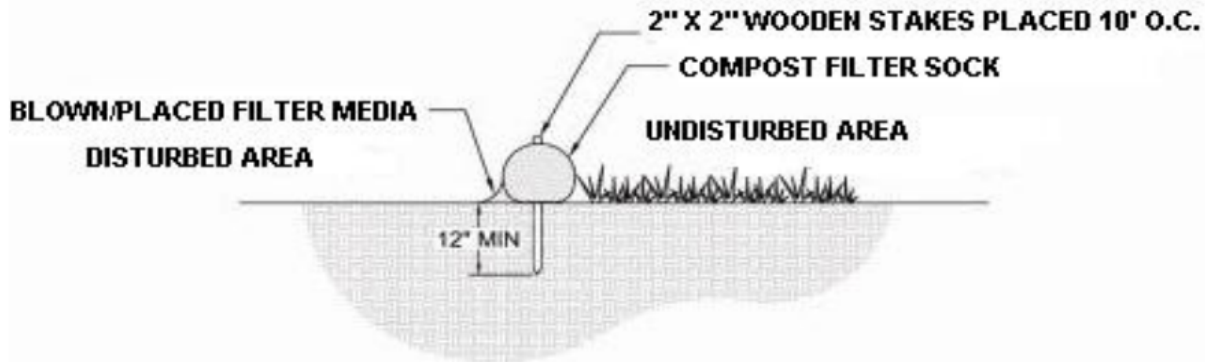


MILEPOST	DIAMETER (IN)	LOCATION	SLOPE PERCENT	SLOPE LENGTH ABOVE BARRIER (FT)
		APPROX. STATION		
12.0R3	12	636+02	11	27
12.0R3	12	636+27	12	12
12.1R4	12	636+38	11	69
12.1R3	12	636+52	14	57
12.1R3	12	636+71	14	52
12.1R3	12	637+09	15	34
12.1R4	12	637+16	8	23
12.1R3	12	637+58	14	17
12.1R3	12	638+25	14	57
12.1R3	12	638+51	15	45
12.1R3	12	638+84	15	30
12.1R4	12	639+00	15	27
12.1R3	12	639+22	14	10
12.1R4	12	639+26	13	58
12.1R4	12	639+48	12	83
12.1R3	12	639+61	14	49
12.1R4	18	639+66	12	110
12.1R4	18	639+88	12	136
12.1R3	12	639+93	14	35
12.1R4	12	640+26	22	9
12.1R4	12	640+26	30	26
12.1R3	12	640+84	13	51
12.1R3	12	641+02	13	41
12.1R3	12	641+34	11	23
12.2R3	12	641+92	11	97
12.2R3	12	642+04	13	23

# STANDARD E&S WORKSHEET #1

## Compost Filter Socks

PROJECT NAME:	PENNEAST PIPELINE PROJECT		
LOCATION:	LUZERNE COUNTY		
PROJECT COMPONENT:	MAINLINE		
PREPARED BY:	KEK / JMB	DATE:	10/2019
CHECKED BY:	MDN	DATE:	10/2019

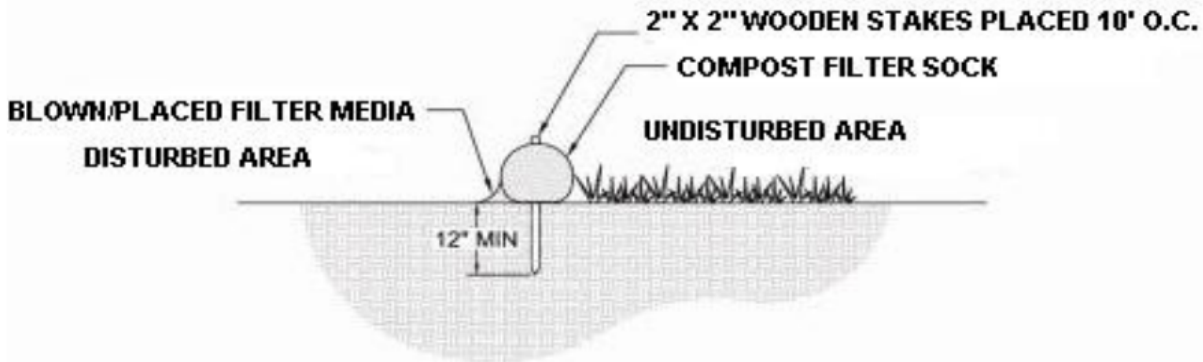


MILEPOST	DIAMETER (IN)	LOCATION	SLOPE PERCENT	SLOPE LENGTH ABOVE BARRIER (FT)
		APPROX. STATION		
12.2R3	12	642+53	13	52
12.2R3	12	642+79	13	33
12.2R3	12	643+03	14	16
12.2R3	12	643+36	10	70
12.2R3	32" DURASOXX	643+67	27	640
12.2R3	12	643+83	10	51
12.2R3	12	644+22	13	48
12.2R3	12	644+80	18	10
12.2R3	12	645+06	21	43
12.2R3	12	645+23	21	34
12.2R3	12	645+41	20	25
12.2R3	12	645+58	20	14
12.2R3	12	645+73	22	7
12.2R3	18	645+96	20	76
12.2R3	18	646+19	22	82
12.2R3	18	646+41	21	82
12.2R3	18	646+78	22	84
12.3R3	18	647+26	24	81
12.3R3	18	647+54	23	82
12.3R3	18	647+80	23	81
12.3R3	18	648+06	23	80
12.3R3	18	648+39	24	80
12.3R3	18	648+96	24	76
12.3R3	18	649+27	24	76
12.3R3	24	649+61	22	103
12.3R3	18	650+27	20	105

# STANDARD E&S WORKSHEET #1

## Compost Filter Socks

PROJECT NAME:	PENNEAST PIPELINE PROJECT	
LOCATION:	LUZERNE COUNTY	
PROJECT COMPONENT:	MAINLINE	
PREPARED BY:	KEK / JMB	DATE: 10/2019
CHECKED BY:	MDN	DATE: 10/2019

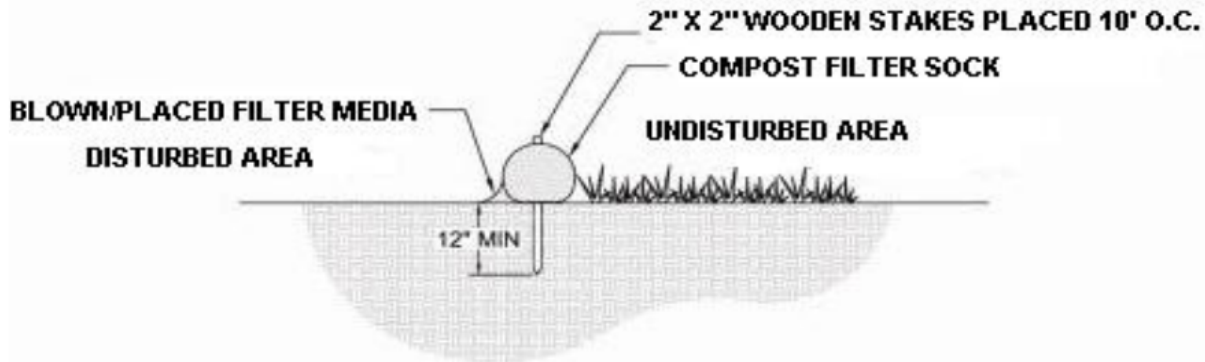


MILEPOST	DIAMETER (IN)	LOCATION	SLOPE PERCENT	SLOPE LENGTH ABOVE BARRIER (FT)
		APPROX. STATION		
12.3R3	18	650+42	17	125
12.3R3	18	650+62	16	131
12.3R3	18	650+80	15	131
12.3R3	18	650+94	15	118
12.3R3	18	651+14	14	102
12.3R3	12	651+32	14	88
12.3R3	12	651+50	14	75
12.3R3	12	651+71	14	58
12.3R3	12	651+89	14	44
12.4R2	12	652+07	14	30
12.4R2	12	652+31	14	16
12.4R2	12	652+62	13	70
12.4R2	12	652+85	13	55
12.4R2	12	653+12	13	38
12.4R2	12	653+36	14	21
12.4R2	12	653+62	13	23
12.4R2	12	654+09	15	82
12.4R2	12	654+35	16	61
12.4R2	12	654+63	16	38
12.4R2	12	654+87	14	71
12.4R2	12	655+42	15	70
12.4R2	12	655+50	18	26
12.4R2	12	655+74	21	14
12.4R2	24	656+02	27	85
12.4R2	24	656+02	26	79
12.4R2	18	656+42	28	64

# STANDARD E&S WORKSHEET #1

## Compost Filter Socks

PROJECT NAME:	PENNEAST PIPELINE PROJECT	
LOCATION:	LUZERNE COUNTY	
PROJECT COMPONENT:	MAINLINE	
PREPARED BY:	KEK / JMB	DATE: 10/2019
CHECKED BY:	MDN	DATE: 10/2019

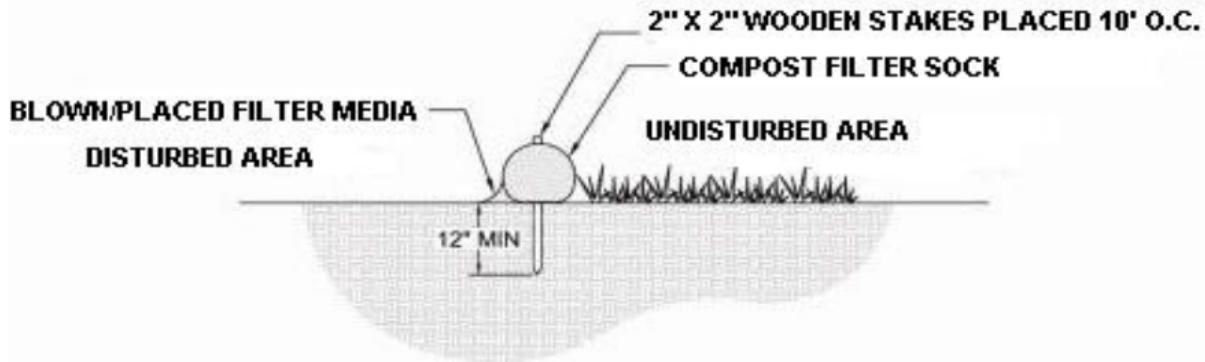


MILEPOST	DIAMETER (IN)	LOCATION	SLOPE PERCENT	SLOPE LENGTH ABOVE BARRIER (FT)
		APPROX. STATION		
12.4R2	12	656+62	30	43
12.4R2	12	656+85	30	21
12.4R2	18	657+18	25	79
12.4R2	12	657+50	25	34
12.4R2	12	657+71	26	12
12.9	18	677+98	22	71
12.9	18	678+16	22	61
12.9	12	678+36	22	49
12.9	12	678+57	22	37
12.9	12	678+78	22	25
12.9	12	678+99	20	13
12.9	18	679+50	20	103
12.9	24	680+46	23	107
12.9	18	680+58	15	159
12.9	24	681+15	16	152
12.9	18	682+36	14	150
12.9	18	682+75	15	148
12.9	18	682+76	14	128
13.0	12	686+64	21	10
13.0	12	687+05	5	88
13.0	12	687+97	11	41
13.0	12	688+11	6	46
13.1	12	689+88	6	62
13.1	12	690+18	1	45
13.1	12	690+32	28	19
13.1	18	690+80	13	117

# STANDARD E&S WORKSHEET #1

## Compost Filter Socks

PROJECT NAME:	PENNEAST PIPELINE PROJECT	
LOCATION:	LUZERNE COUNTY	
PROJECT COMPONENT:	MAINLINE	
PREPARED BY:	KEK / JMB	DATE: 10/2019
CHECKED BY:	MDN	DATE: 10/2019

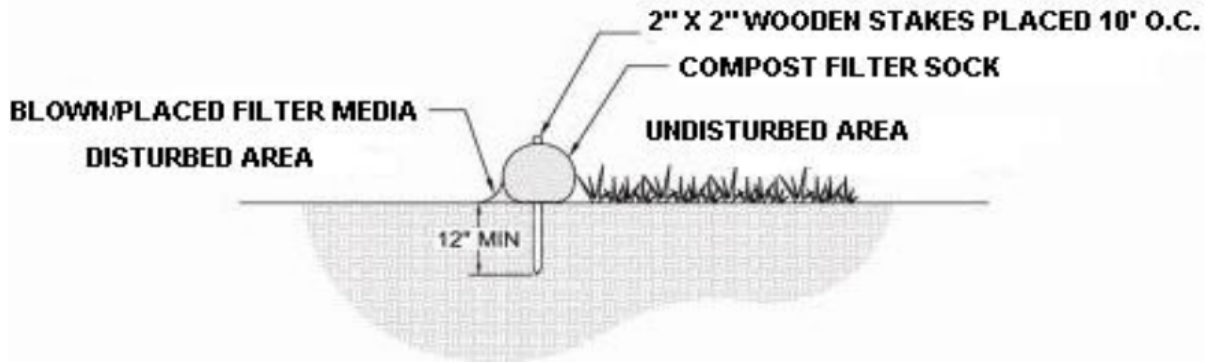


MILEPOST	DIAMETER (IN)	LOCATION	SLOPE PERCENT	SLOPE LENGTH ABOVE BARRIER (FT)
		APPROX. STATION		
13.1	18	690+96	11	138
13.1	12	691+13	10	138
13.1	18	691+87	7	199
13.1	12	692+29	6	88
13.1	12	693+63	5	33
13.1	18	694+10	6	189
13.2	12	694+59	5	133
13.2	12	694+96	5	19
13.2	18	695+38	6	181
13.2	12	695+77	6	64
13.2	12	695+77	6	95
13.2	12	695+78	6	40
13.2	12	695+92	5	21
13.2	12	696+09	6	136
13.2	12	696+63	6	21
13.2	12	696+73	6	98
13.2	12	697+26	5	22
13.2	12	697+73	6	20
13.2	12	698+06	6	34
13.2	12	698+06	6	24
13.2	12	698+29	6	53
13.3	12	701+01	3	35
13.3	12	701+94	11	30
13.3	12	702+02	9	33
13.3	12	702+50	9	69
13.3	12	702+56	12	68

# STANDARD E&S WORKSHEET #1

## Compost Filter Socks

PROJECT NAME:	PENNEAST PIPELINE PROJECT	
LOCATION:	LUZERNE COUNTY	
PROJECT COMPONENT:	MAINLINE	
PREPARED BY:	KEK / JMB	DATE: 10/2019
CHECKED BY:	MDN	DATE: 10/2019



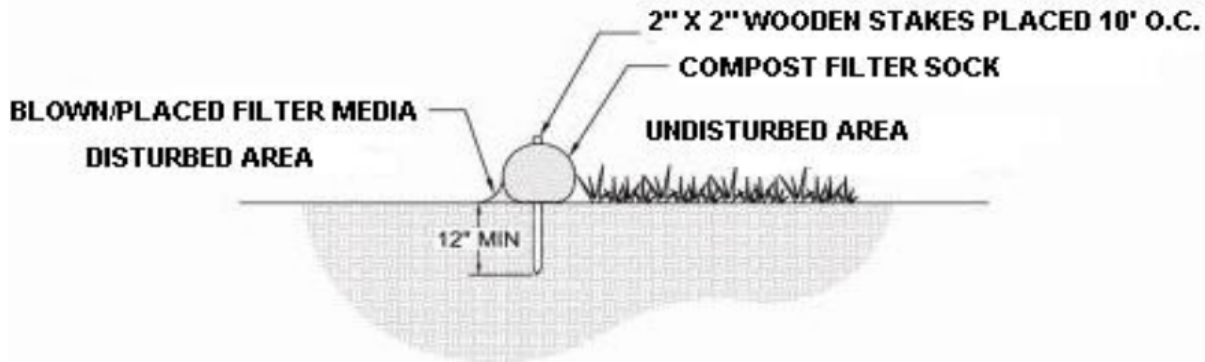
MILEPOST	DIAMETER (IN)	LOCATION	SLOPE PERCENT	SLOPE LENGTH ABOVE BARRIER (FT)
		APPROX. STATION		
13.3	12	702+88	12	36
13.3	18	703+01	17	136
13.3	12	703+01	14	34
13.3	12	703+48	19	34
13.3	18	703+69	25	76
13.3	24	703+94	25	120
13.3	24	704+18	24	125
13.3	18	704+40	14	162
13.3	18	704+52	15	147
13.4	12	708+33	20	52
13.4	12	708+70	22	25
13.4	18	709+20	22	82
13.4	18	709+53	21	68
13.4	12	709+69	19	57
13.4	12	709+93	20	42
13.4	12	710+18	18	28
13.5	12	710+41	18	12
13.5	12	710+72	12	92
13.5	12	711+03	13	68
13.5	12	711+38	15	40
13.5	18	711+80	17	120
13.5	18	712+04	16	100
13.5	18	712+33	17	77
13.5	12	712+66	17	53
13.5	12	713+00	13	28
13.5	18	713+42	14	111



# STANDARD E&S WORKSHEET #1

## Compost Filter Socks

PROJECT NAME:	PENNEAST PIPELINE PROJECT	
LOCATION:	LUZERNE COUNTY	
PROJECT COMPONENT:	MAINLINE	
PREPARED BY:	KEK / JMB	DATE: 10/2019
CHECKED BY:	MDN	DATE: 10/2019

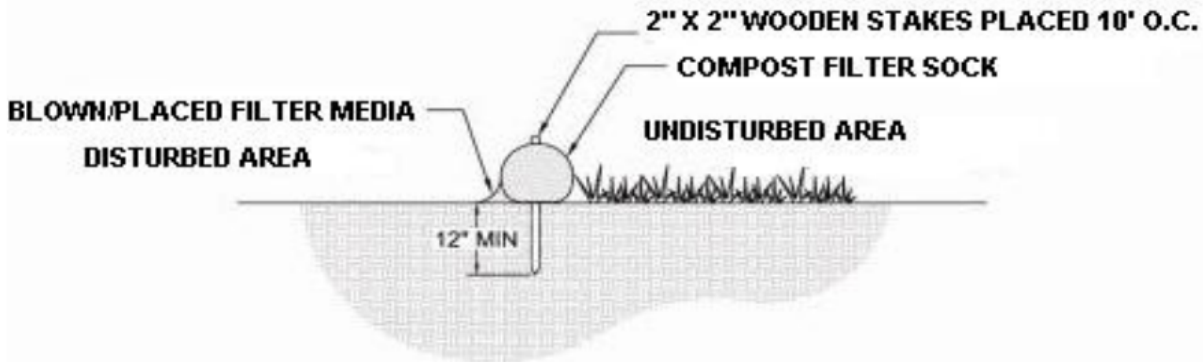


MILEPOST	DIAMETER (IN)	LOCATION	SLOPE PERCENT	SLOPE LENGTH ABOVE BARRIER (FT)
		APPROX. STATION		
13.5	18	713+66	15	106
13.5	18	714+28	18	103
13.5	12	714+62	25	16
13.5	12	714+76	26	23
13.5	18	714+90	23	80
13.5	12	714+91	24	42
13.5	18	714+94	22	70
13.6	18	716+14	14	129
13.6	12	716+14	13	97
13.6	12	716+30	12	76
13.6	12	716+87	15	76
13.6	12	717+21	12	79
13.6	12	717+79	12	52
13.6	12	717+86	10	24
13.6	12	718+19	22	17
13.6	12	718+47	25	28
13.6	12	718+61	23	12
13.6	18	718+81	23	64
13.6	18	718+97	23	50
13.6	12	719+16	25	34
13.6	18	719+23	24	65
13.6	18	719+23	25	53
13.6	12	719+23	26	43
13.6	12	719+24	26	32
13.6	18	719+50	26	47
13.6	12	719+71	27	30

# STANDARD E&S WORKSHEET #1

## Compost Filter Socks

PROJECT NAME:	PENNEAST PIPELINE PROJECT		
LOCATION:	LUZERNE COUNTY		
PROJECT COMPONENT:	MAINLINE		
PREPARED BY:	KEK / JMB	DATE:	10/2019
CHECKED BY:	MDN	DATE:	10/2019

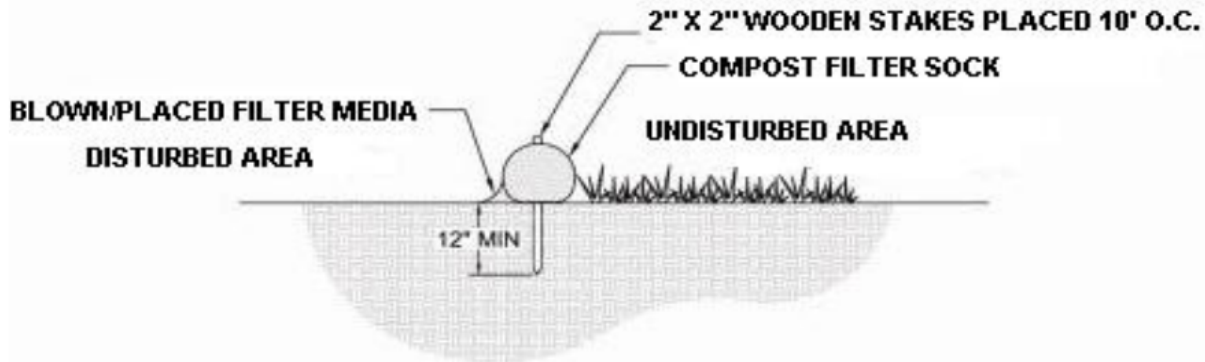


MILEPOST	DIAMETER (IN)	LOCATION	SLOPE PERCENT	SLOPE LENGTH ABOVE BARRIER (FT)
		APPROX. STATION		
13.6	12	719+93	27	15
13.6	24	720+21	26	76
13.6	18	720+43	25	63
13.6	18	720+58	23	53
13.7	12	720+80	22	38
13.7	12	721+04	21	20
13.7	12	721+24	15	59
13.7	12	721+30	15	81
13.7	12	721+38	14	38
13.7	12	721+64	13	25
13.7	12	722+68	12	53
13.7	12	722+71	10	34
13.7	12	722+77	10	52
13.7	12	722+82	8	34
13.7	12	722+95	12	56
13.7	12	723+12	11	44
13.7	12	723+32	9	30
13.7	18	723+80	11	114
13.7	12	724+48	12	52
13.7	12	725+32	10	22
13.7	12	725+53	10	12
13.7	12	725+90	17	64
13.8	12	726+05	16	57
13.8	12	726+08	14	68
13.8	12	726+08	13	80
13.8	12	726+10	13	95

# STANDARD E&S WORKSHEET #1

## Compost Filter Socks

PROJECT NAME:	PENNEAST PIPELINE PROJECT	
LOCATION:	LUZERNE COUNTY	
PROJECT COMPONENT:	MAINLINE	
PREPARED BY:	KEK / JMB	DATE: 10/2019
CHECKED BY:	MDN	DATE: 10/2019

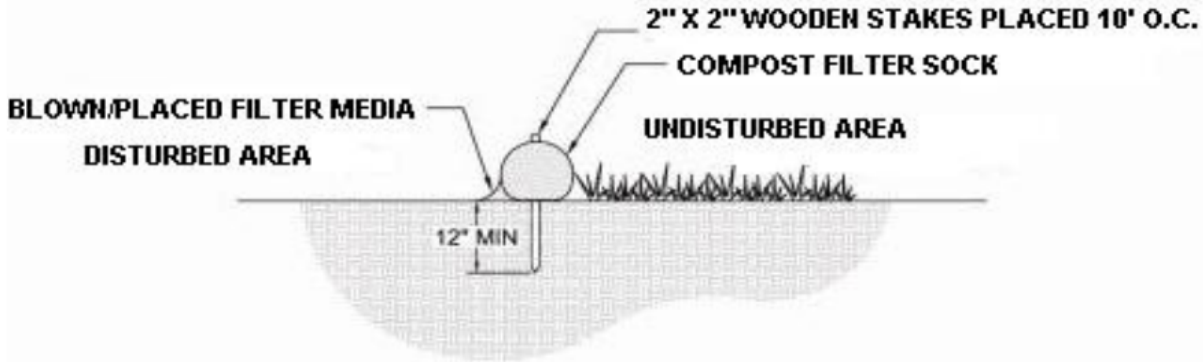


MILEPOST	DIAMETER (IN)	LOCATION	SLOPE PERCENT	SLOPE LENGTH ABOVE BARRIER (FT)
		APPROX. STATION		
13.8	12	726+28	12	85
13.8	12	726+46	12	75
13.8	12	726+64	12	65
13.8	12	726+82	12	56
13.8	12	726+99	12	46
13.8	12	727+17	12	36
13.8	12	727+35	12	26
13.8	12	727+53	11	16
13.8	12	728+39	10	66
13.8	12	728+61	10	51
13.8	12	728+83	10	36
13.8	12	729+04	9	20
13.8	12	729+49	7	75
13.8	12	730+18	8	55
13.8	12	730+54	9	79
13.8	12	730+60	12	56
13.8	12	730+76	10	53
13.8	12	730+81	12	44
13.8	12	731+08	10	26
13.8	12	731+25	11	9
13.9	12	731+53	16	55
13.9	12	731+70	17	36
13.9	12	731+80	17	27
13.9	12	731+93	15	15
13.9	12	732+07	11	9
13.9	12	732+74	10	55

# STANDARD E&S WORKSHEET #1

## Compost Filter Socks

PROJECT NAME:	PENNEAST PIPELINE PROJECT	
LOCATION:	LUZERNE COUNTY	
PROJECT COMPONENT:	MAINLINE	
PREPARED BY:	KEK / JMB	DATE: 10/2019
CHECKED BY:	MDN	DATE: 10/2019

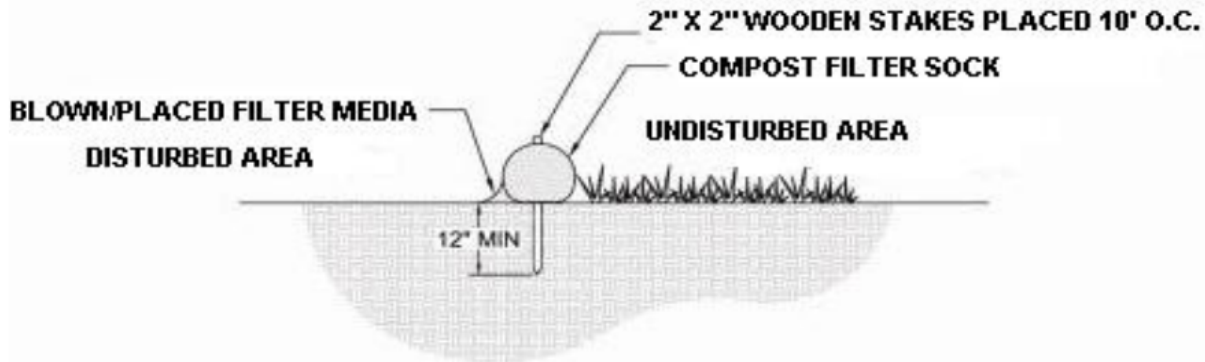


MILEPOST	DIAMETER (IN)	LOCATION	SLOPE PERCENT	SLOPE LENGTH ABOVE BARRIER (FT)
		APPROX. STATION		
13.9	12	732+83	9	31
13.9	12	732+85	12	45
13.9	12	732+97	10	21
13.9	12	733+13	12	45
13.9	12	733+55	11	16
13.9	12	733+93	13	71
13.9	12	734+16	14	56
13.9	12	734+41	13	41
13.9	12	734+65	13	27
13.9	12	734+75	13	20
13.9	12	735+48	13	72
13.9	12	735+65	12	52
13.9	12	735+75	15	43
13.9	12	735+90	10	23
13.9	12	735+99	13	17
13.9	12	736+13	11	35
13.9	12	736+27	12	53
13.9	12	736+27	10	24
13.9	12	736+30	12	65
13.9	12	736+41	11	35
13.9	12	736+51	12	21
14.0	12	736+62	14	39
14.0	12	736+73	13	59
14.0	12	736+79	14	35
14.0	12	736+79	13	46
14.0	12	736+99	14	35

# STANDARD E&S WORKSHEET #1

## Compost Filter Socks

PROJECT NAME:	PENNEAST PIPELINE PROJECT	
LOCATION:	LUZERNE COUNTY	
PROJECT COMPONENT:	MAINLINE	
PREPARED BY:	KEK / JMB	DATE: 10/2019
CHECKED BY:	MDN	DATE: 10/2019

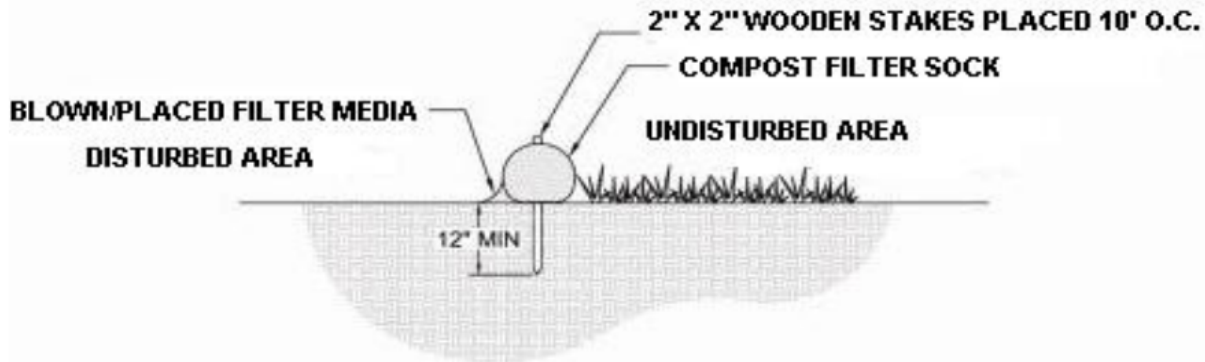


MILEPOST	DIAMETER (IN)	LOCATION	SLOPE PERCENT	SLOPE LENGTH ABOVE BARRIER (FT)
		APPROX. STATION		
14.0	12	737+21	15	14
14.0	12	737+45	16	69
14.0	12	737+66	16	48
14.0	12	737+82	15	34
14.0	12	738+02	14	15
14.0	12	738+42	6	78
14.0	12	738+70	5	55
14.1	12	742+44	10	106
14.1	12	742+45	10	94
14.1	12	742+79	10	76
14.1	12	743+07	10	52
14.1	12	743+41	10	25
14.1	12	743+97	7	104
14.1	12	744+72	12	42
14.1	18	745+07	27	61
14.1	12	745+85	39	22
14.1	12	745+97	44	12
14.1	12	746+16	20	31
14.1	18	746+18	42	31
14.1	12	746+31	41	21
14.1	12	746+44	37	9
14.1	12	746+66	16	67
14.1	12	746+77	14	54
14.1	12	746+93	9	36
14.1	12	746+98	16	41
14.1	12	746+98	20	44

# STANDARD E&S WORKSHEET #1

## Compost Filter Socks

PROJECT NAME:	PENNEAST PIPELINE PROJECT	
LOCATION:	LUZERNE COUNTY	
PROJECT COMPONENT:	MAINLINE	
PREPARED BY:	KEK / JMB	DATE: 10/2019
CHECKED BY:	MDN	DATE: 10/2019

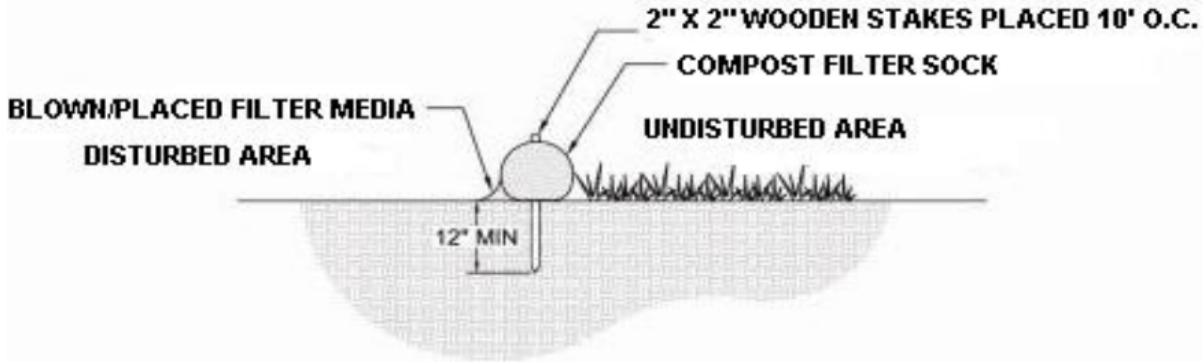


MILEPOST	DIAMETER (IN)	LOCATION	SLOPE PERCENT	SLOPE LENGTH ABOVE BARRIER (FT)
		APPROX. STATION		
14.1	12	747+01	23	45
14.1	18	747+01	26	48
14.1	18	747+07	30	51
14.2	12	747+16	30	38
14.2	12	747+29	30	25
14.2	12	747+55	6	124
14.2	12	748+20	6	63
14.2	12	748+64	6	13
14.2	12	748+93	7	139
14.2	12	749+35	7	109
14.2	12	749+95	9	65
14.2	12	750+55	11	20
14.2	12	750+95	13	93
14.2	12	751+21	12	77
14.2	12	751+45	11	58
14.2	12	751+70	11	38
14.2	12	751+95	12	18
14.3	18	752+57	24	61
14.3	12	752+90	26	42
14.3	12	753+17	27	28
14.3	24	753+80	36	62
14.3	12	754+14	31	30
14.3	32" DURASOXX	754+78	47	60
14.3	24	754+99	48	40
14.3	18	755+27	49	21
14.3	32	755+69	49	51

# STANDARD E&S WORKSHEET #1

## Compost Filter Socks

PROJECT NAME:	PENNEAST PIPELINE PROJECT	
LOCATION:	LUZERNE COUNTY	
PROJECT COMPONENT:	MAINLINE	
PREPARED BY:	KEK / JMB	DATE: 10/2019
CHECKED BY:	MDN	DATE: 10/2019

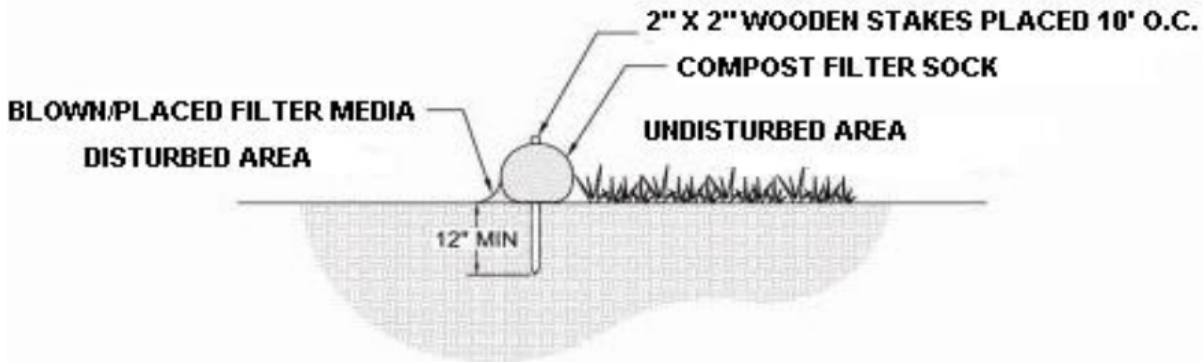


MILEPOST	DIAMETER (IN)	LOCATION	SLOPE PERCENT	SLOPE LENGTH ABOVE BARRIER (FT)
		APPROX. STATION		
14.3	18	756+08	47	30
14.3	24	756+61	39	51
14.3	12	757+04	36	20
14.3	18	757+46	32	49
14.4	12	757+71	34	21
14.4	12	758+06	32	37
14.4	18	758+20	37	41
14.4	12	762+12	14	78
14.4	12	762+53	16	15
14.4	12	762+75	17	31
14.5	12	763+01	18	52
14.5	18	763+27	18	72
14.5	18	763+54	18	91
14.5	12	764+21	5	36
14.5	12	764+59	5	64
14.5	12	764+84	6	84
14.5	12	765+09	6	104
14.5	12	765+30	8	118
14.5	12	765+51	19	14
14.5	12	765+77	22	38
14.5	18	766+05	24	65
14.5	18	766+23	25	83
14.5	12	766+49	25	16
14.5	12	766+76	24	39
14.5	18	767+01	23	63
14.5	18	767+24	21	83

# STANDARD E&S WORKSHEET #1

## Compost Filter Socks

PROJECT NAME:	PENNEAST PIPELINE PROJECT	
LOCATION:	LUZERNE COUNTY	
PROJECT COMPONENT:	MAINLINE	
PREPARED BY:	KEK / JMB	DATE: 10/2019
CHECKED BY:	MDN	DATE: 10/2019



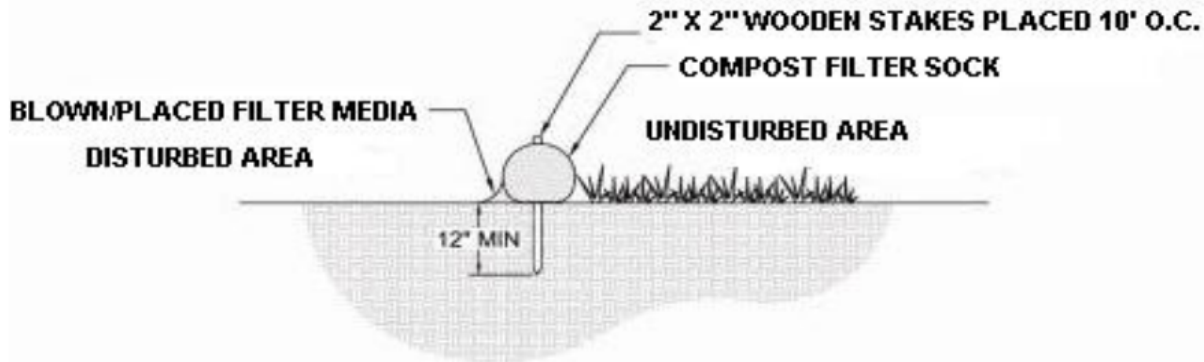
MILEPOST	DIAMETER (IN)	LOCATION	SLOPE PERCENT	SLOPE LENGTH ABOVE BARRIER (FT)
		APPROX. STATION		
14.5	12	767+49	16	14
14.5	12	767+81	15	44
14.5	12	768+12	14	74
14.6	18	768+49	13	113
14.6	12	769+09	11	35
14.6	12	769+46	11	64
14.6	12	769+66	11	81
14.6	18	769+97	11	105
14.6	12	770+29	9	12
14.6	12	770+78	7	47
14.6	12	771+47	6	43
14.6	12	772+32	6	34
14.6	12	772+69	7	25
14.6	12	772+97	7	55
14.6	12	773+14	6	118
14.6	12	773+38	6	147
14.7	12	774+20	8	93
14.7	12	774+46	8	143
14.7	12	774+66	10	66
14.7	18	775+46	5	287
14.7	12	775+92	4	29
14.7	12	776+18	4	51
14.7	12	776+31	4	68
14.7	12	777+00	5	70
14.7	12	777+53	2	49
14.7	12	778+24	5	60



# STANDARD E&S WORKSHEET #1

## Compost Filter Socks

PROJECT NAME:	PENNEAST PIPELINE PROJECT		
LOCATION:	LUZERNE COUNTY		
PROJECT COMPONENT:	MAINLINE		
PREPARED BY:	KEK / JMB	DATE:	10/2019
CHECKED BY:	MDN	DATE:	10/2019

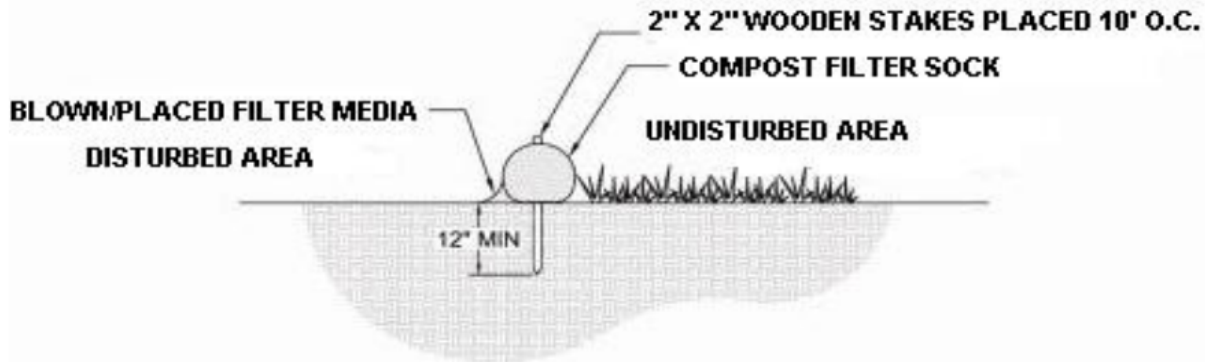


MILEPOST	DIAMETER (IN)	LOCATION	SLOPE PERCENT	SLOPE LENGTH ABOVE BARRIER (FT)
		APPROX. STATION		
14.8	12	778+97	7	100
14.8	12	779+34	7	64
14.8	12	779+73	7	32
14.8	12	782+09	4	148
14.8	12	782+51	4	142
14.9	12	785+56	6	143
15.0	12	790+35	4	48
15.0	12	790+59	4	21
15.0	12	790+78	3	39
15.0	12	792+52	6	148
15.0	12	792+84	6	112
15.0	12	793+07	5	88
15.0	12	793+25	5	68
15.0	12	794+01	4	176
15.0	12	794+19	4	132
15.0	12	794+57	4	89
15.1	12	795+03	4	42
15.1	12	795+63	4	75
15.1	12	796+38	3	45
15.1	12	797+07	3	144
15.1	12	797+76	2	120
15.1	12	798+27	3	58
15.2	24	800+63	3	461
15.2	12	803+68	4	250
15.2	12	804+04	4	147
15.2	12	804+39	5	108

# STANDARD E&S WORKSHEET #1

## Compost Filter Socks

PROJECT NAME:	PENNEAST PIPELINE PROJECT	
LOCATION:	LUZERNE COUNTY	
PROJECT COMPONENT:	MAINLINE	
PREPARED BY:	KEK / JMB	DATE: 10/2019
CHECKED BY:	MDN	DATE: 10/2019

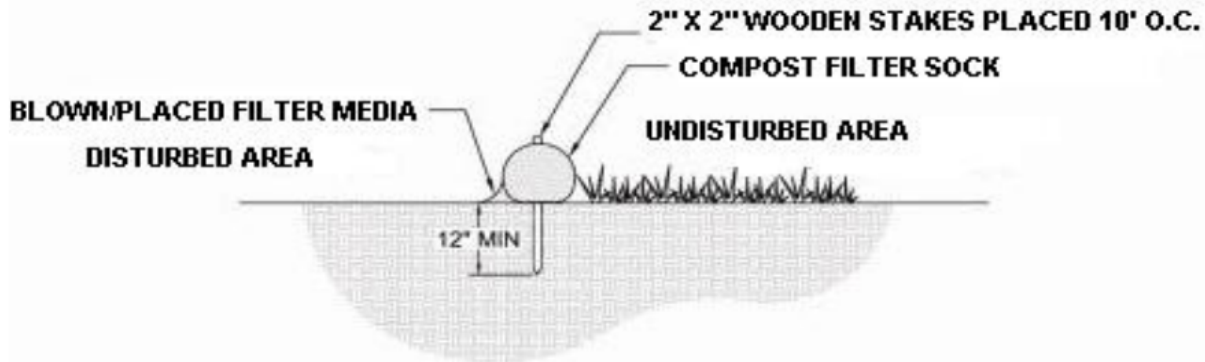


MILEPOST	DIAMETER (IN)	LOCATION	SLOPE PERCENT	SLOPE LENGTH ABOVE BARRIER (FT)
		APPROX. STATION		
15.2	12	804+69	4	73
15.2	12	805+03	4	34
15.3	24	805+61	2	387
15.3	12	806+28	2	200
15.3	12	806+99	2	117
15.3	12	807+97	2	120
15.3	12	808+90	2	114
15.3	12	809+87	1	63
15.3	12	809+90	0	56
15.4	12	811+13	1	126
15.5	12	816+01	3	43
15.5	12	816+36	3	68
15.5	12	816+83	4	104
15.5	12	817+26	4	137
15.5	12	818+63	8	105
15.5	12	819+32	9	41
15.5	12	819+76	9	86
15.5	12	820+14	9	121
15.5	12	821+00	9	60
15.6	12	821+27	9	87
15.6	12	821+58	9	121
15.7	12	827+21	10	96
15.7	12	827+21	10	76
15.7	12	828+01	9	39
15.7	12	828+96	10	39
15.7	12	830+73	10	73

# STANDARD E&S WORKSHEET #1

## Compost Filter Socks

PROJECT NAME:	PENNEAST PIPELINE PROJECT	
LOCATION:	LUZERNE COUNTY	
PROJECT COMPONENT:	MAINLINE	
PREPARED BY:	KEK / JMB	DATE: 10/2019
CHECKED BY:	MDN	DATE: 10/2019

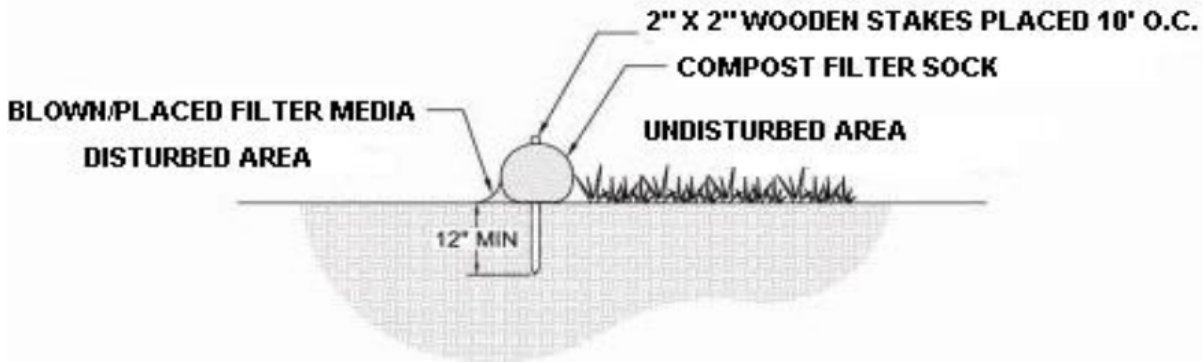


MILEPOST	DIAMETER (IN)	LOCATION	SLOPE PERCENT	SLOPE LENGTH ABOVE BARRIER (FT)
		APPROX. STATION		
15.8	12	832+29	9	87
15.8	12	832+42	9	96
15.8	12	832+59	8	114
15.8	12	832+79	8	135
15.8	12	833+28	10	30
15.8	12	833+80	10	90
15.9	12	838+29	6	123
15.9	12	840+12	3	127
15.9	12	840+26	3	102
15.9	12	841+46	3	69
15.9	12	841+96	4	73
16.0	12	842+26	5	73
16.0	24	844+20	8	262
16.0	12	844+94	24	47
16.0	12	845+29	28	21
16.0	12	845+32	30	20
16.1	12	851+59	0	59
16.2	12	853+41	4	74
16.2	12	855+76	20	8
16.2	12	856+39	13	54
16.2	12	856+59	17	51
16.2	12	856+59	14	39
16.2	12	856+60	18	60
16.3	12	862+66	16	26
16.3	12	862+66	16	46
16.3	12	862+95	19	28

# STANDARD E&S WORKSHEET #1

## Compost Filter Socks

PROJECT NAME:	PENNEAST PIPELINE PROJECT	
LOCATION:	LUZERNE COUNTY	
PROJECT COMPONENT:	MAINLINE	
PREPARED BY:	KEK / JMB	DATE: 10/2019
CHECKED BY:	MDN	DATE: 10/2019

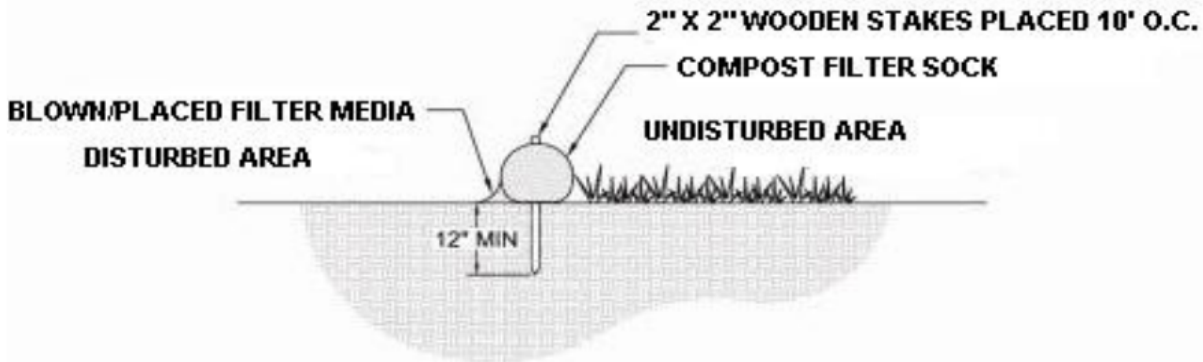


MILEPOST	DIAMETER (IN)	LOCATION	SLOPE PERCENT	SLOPE LENGTH ABOVE BARRIER (FT)
		APPROX. STATION		
16.3	12	863+17	18	47
16.4	12	863+41	17	67
16.4	18	863+64	17	85
16.4	12	864+10	18	14
16.4	12	864+93	4	39
16.5	12	869+06	0	46
16.5	12	869+22	0	57
16.5	12	870+00	1	60
16.5	12	870+18	4	59
16.5	12	870+40	4	182
16.5	12	870+84	5	139
16.5	12	871+28	5	95
16.5	12	871+74	5	49
16.6	12	876+34	7	116
16.6	12	878+21	7	46
16.6	12	878+98	4	171
16.7	12	879+54	19	45
16.7	18	879+84	16	76
16.7	12	879+84	13	62
16.7	18	879+86	20	91
16.7	12	880+65	42	18
16.7	12	881+07	24	12
16.7	12	881+46	37	23
16.8	12	885+17	2	104
16.8	12	885+37	2	108
16.8	12	888+25	3	38

# STANDARD E&S WORKSHEET #1

## Compost Filter Socks

PROJECT NAME:	PENNEAST PIPELINE PROJECT	
LOCATION:	LUZERNE COUNTY	
PROJECT COMPONENT:	MAINLINE	
PREPARED BY:	KEK / JMB	DATE: 10/2019
CHECKED BY:	MDN	DATE: 10/2019

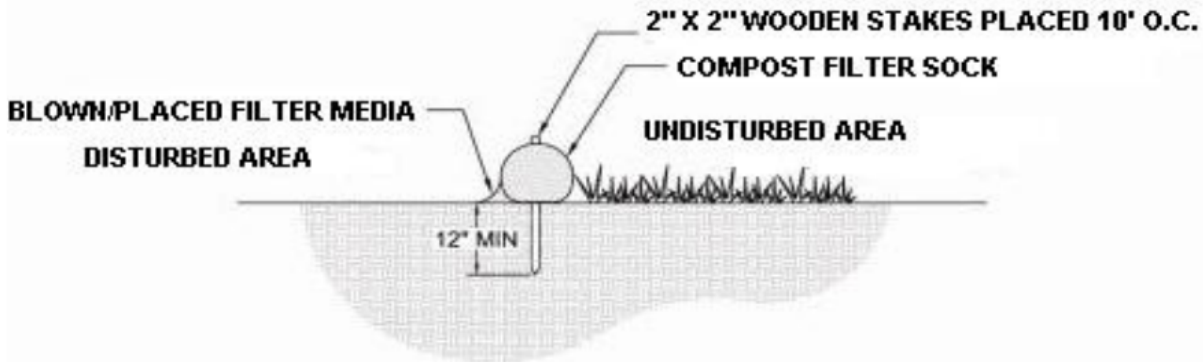


MILEPOST	DIAMETER (IN)	LOCATION	SLOPE PERCENT	SLOPE LENGTH ABOVE BARRIER (FT)
		APPROX. STATION		
16.8	12	889+61	5	92
16.9	12	889+71	5	81
11R2	12	890+39	13	74
16.9	12	890+39	4	36
16.9	12	891+28	1	56
16.9	12	892+20	2	48
16.9	12	893+95	8	119
16.9	12	894+94	15	34
17.0	12	895+81	14	58
17.0	12	896+11	14	28
17.0	12	897+09	21	15
17.0	12	897+30	20	51
17.0	12	897+52	18	28
17.0	18	897+88	14	148
17.0	18	898+16	15	114
17.2	12	905+66	7	110
17.2	12	906+17	7	60
17.2	12	906+57	6	22
17.2	12	906+92	8	125
17.2	12	907+20	8	101
17.2	12	907+53	7	73
17.2	12	907+83	6	48
17.2	12	908+12	6	23
17.2	18	908+63	11	119
17.2	12	908+95	13	85
17.2	18	910+69	19	89

# STANDARD E&S WORKSHEET #1

## Compost Filter Socks

PROJECT NAME:	PENNEAST PIPELINE PROJECT	
LOCATION:	LUZERNE COUNTY	
PROJECT COMPONENT:	MAINLINE	
PREPARED BY:	KEK / JMB	DATE: 10/2019
CHECKED BY:	MDN	DATE: 10/2019

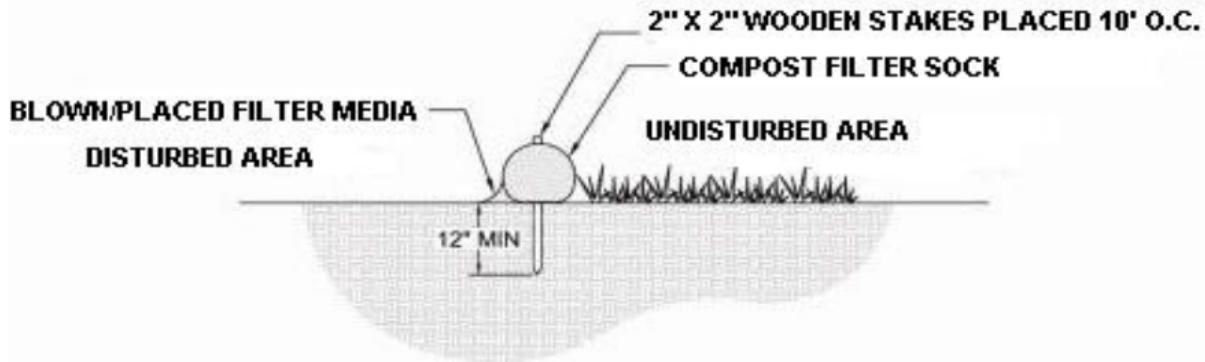


MILEPOST	DIAMETER (IN)	LOCATION	SLOPE PERCENT	SLOPE LENGTH ABOVE BARRIER (FT)
		APPROX. STATION		
17.3	18	910+89	17	77
17.3	12	911+09	16	61
17.3	18	911+84	3	268
17.3	12	912+42	7	93
17.3	12	912+65	9	97
17.3	12	912+90	9	111
17.3	12	913+33	9	109
17.3	12	913+36	3	155
17.3	12	913+36	3	155
17.3	18	913+81	6	233
17.3	12	914+07	5	209
17.3	12	914+33	5	207
17.3	24	915+37	11	217
17.3	18	915+72	13	171
17.3	18	916+01	14	158
17.4	18	916+27	15	169
17.4	32	916+54	10	312
17.4	24	916+80	13	237
17.4	24	917+14	10	288
17.4	24	917+50	9	276
17.4	24	917+86	9	272
17.4	12	919+57	6	92
17.4	12	919+85	7	53
17.5	12	921+92	2	79
17.5	12	922+28	0	33
17.5	12	923+21	0	76

# STANDARD E&S WORKSHEET #1

## Compost Filter Socks

PROJECT NAME:	PENNEAST PIPELINE PROJECT		
LOCATION:	LUZERNE COUNTY		
PROJECT COMPONENT:	MAINLINE		
PREPARED BY:	KEK / JMB	DATE:	10/2019
CHECKED BY:	MDN	DATE:	10/2019

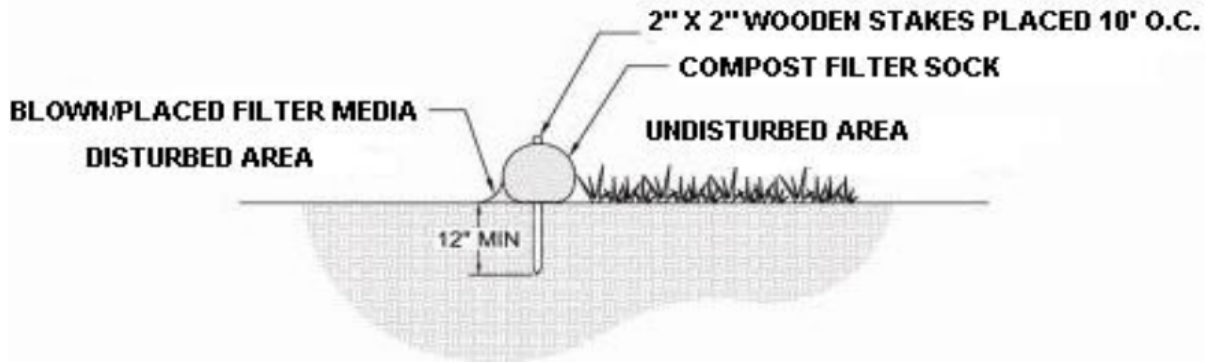


MILEPOST	DIAMETER (IN)	LOCATION	SLOPE PERCENT	SLOPE LENGTH ABOVE BARRIER (FT)
		APPROX. STATION		
17.5	12	924+24	5	36
17.5	12	924+47	5	56
17.5	12	924+74	6	77
17.5	12	925+41	11	43
17.5	12	925+72	11	67
17.5	12	926+07	11	95
17.6	12	926+68	6	148
17.6	12	927+61	8	149
17.6	12	928+23	7	150
17.6	12	929+17	13	43
17.6	18	929+61	17	77
17.6	12	930+18	19	27
17.6	12	930+47	19	53
17.6	18	930+83	19	81
17.7	18	932+70	8	155
17.7	12	934+31	2	35
17.8	12	937+90	9	61
17.8	12	939+75	11	35
17.8	12	940+01	10	52
17.8	12	940+22	10	68
17.8	12	940+49	9	85
17.8	12	940+73	10	102
17.8	12	941+37	13	29
17.8	12	941+71	13	48
17.8	12	942+10	12	76
17.8	12	942+22	17	53

# STANDARD E&S WORKSHEET #1

## Compost Filter Socks

PROJECT NAME:	PENNEAST PIPELINE PROJECT	
LOCATION:	LUZERNE COUNTY	
PROJECT COMPONENT:	MAINLINE	
PREPARED BY:	KEK / JMB	DATE: 10/2019
CHECKED BY:	MDN	DATE: 10/2019



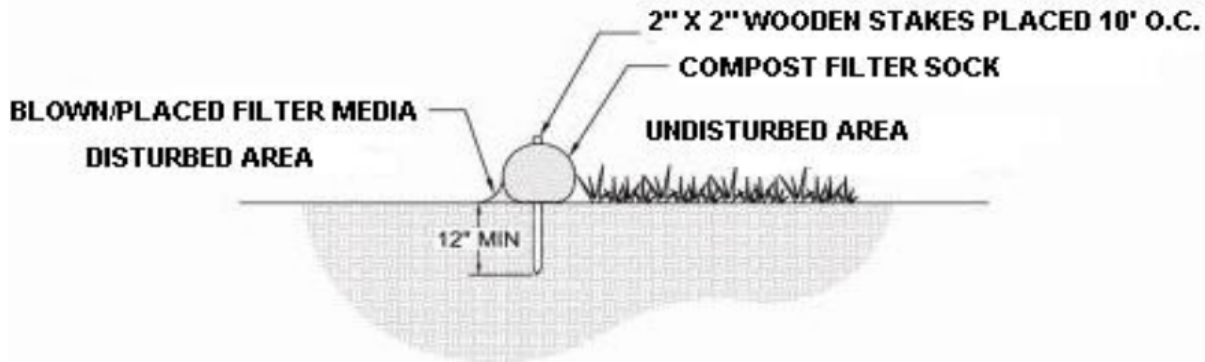
MILEPOST	DIAMETER (IN)	LOCATION	SLOPE PERCENT	SLOPE LENGTH ABOVE BARRIER (FT)
		APPROX. STATION		
17.9	12	942+82	8	31
17.9	12	943+09	9	43
17.9	12	944+25	3	89
17.9	12	944+38	3	49
17.9	12	945+13	4	65
17.9	12	946+92	4	96
17.9	12	947+18	2	76
17.9	12	947+37	0	100
18.0	12	948+31	0	74
18.0	12	949+93	2	113
18.0	12	952+03	0	111
18.1	12	953+77	4	187
18.1	18	954+76	6	166
18.1	12	955+21	14	27
18.1	12	955+36	15	40
18.1	12	955+55	14	54
18.1	12	955+76	15	73
18.1	18	955+97	16	89
18.1	18	956+18	17	114
18.1	12	956+45	37	16
18.1	12	956+57	39	29
18.1	24	956+71	43	40
18.1	12	956+84	44	11
18.1	12	956+97	44	23
18.1	18	957+09	43	36
18.1	12	957+35	30	15



# STANDARD E&S WORKSHEET #1

## Compost Filter Socks

PROJECT NAME:	PENNEAST PIPELINE PROJECT	
LOCATION:	LUZERNE COUNTY	
PROJECT COMPONENT:	MAINLINE	
PREPARED BY:	KEK / JMB	DATE: 10/2019
CHECKED BY:	MDN	DATE: 10/2019

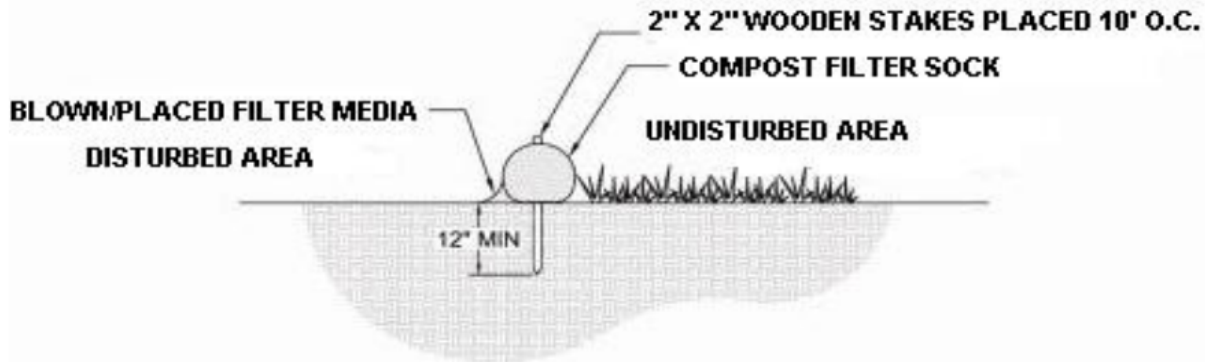


MILEPOST	DIAMETER (IN)	LOCATION	SLOPE PERCENT	SLOPE LENGTH ABOVE BARRIER (FT)
		APPROX. STATION		
18.1	12	957+50	31	28
18.1	12	957+65	30	43
18.1	12	957+85	22	14
18.1	12	958+01	23	28
18.1	12	958+19	22	44
18.2	12	959+10	7	76
18.2	12	959+72	6	115
18.2	12	960+32	11	22
18.2	12	960+50	10	35
18.2	12	960+73	10	54
18.2	12	960+95	10	71
18.3	12	964+95	4	136
18.3	12	965+48	5	177
18.3	12	966+00	4	49
18.3	12	966+10	6	51
18.3	12	966+11	5	45
18.3	12	966+40	5	72
18.3	12	966+83	4	114
18.3	12	967+60	1	34
18.3	12	967+63	3	77
18.3	12	968+70	1	36
18.3	12	968+73	2	26
18.3	12	968+73	0	17
18.4	12	969+12	2	55
18.4	12	969+60	3	98
18.4	18	970+00	9	174

# STANDARD E&S WORKSHEET #1

## Compost Filter Socks

PROJECT NAME:	PENNEAST PIPELINE PROJECT		
LOCATION:	LUZERNE COUNTY		
PROJECT COMPONENT:	MAINLINE		
PREPARED BY:	KEK / JMB	DATE:	10/2019
CHECKED BY:	MDN	DATE:	10/2019

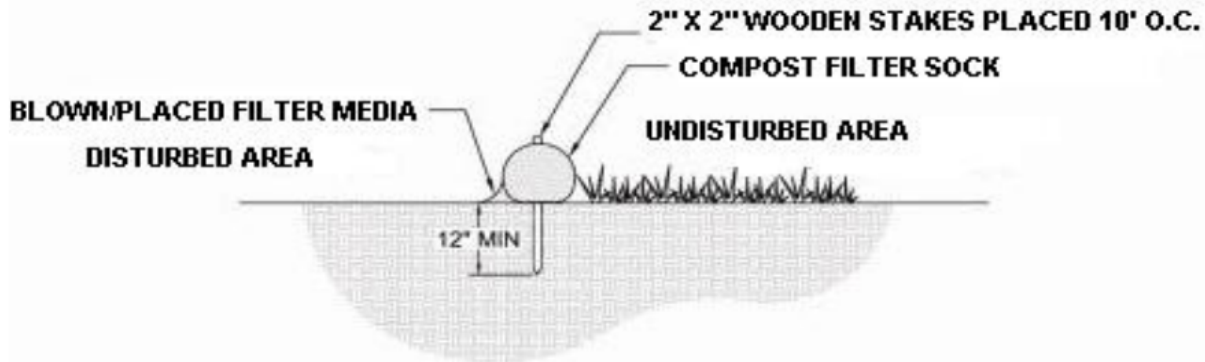


MILEPOST	DIAMETER (IN)	LOCATION	SLOPE PERCENT	SLOPE LENGTH ABOVE BARRIER (FT)
		APPROX. STATION		
18.4	12	970+65	14	81
18.4	12	970+90	18	53
18.4	12	971+03	18	43
18.4	12	971+20	18	30
18.4	12	971+29	18	21
18.4	12	971+40	19	13
18.4	12	971+63	14	90
18.4	12	971+76	14	86
18.4	12	971+98	11	77
18.4	12	972+11	10	64
18.4	12	972+28	10	48
18.4	12	972+48	8	30
18.4	12	972+67	8	12
18.4	12	972+89	8	143
18.4	12	973+11	7	122
18.4	12	973+39	8	72
18.4	12	973+76	7	38
18.4	12	974+06	8	12
18.5	12	974+35	9	97
18.5	12	974+56	9	76
18.5	12	974+80	8	52
18.5	12	975+04	7	28
18.5	12	975+39	7	149
18.5	12	975+64	7	124
18.5	12	975+97	7	91
18.5	12	976+26	7	62

# STANDARD E&S WORKSHEET #1

## Compost Filter Socks

PROJECT NAME:	PENNEAST PIPELINE PROJECT	
LOCATION:	LUZERNE COUNTY	
PROJECT COMPONENT:	MAINLINE	
PREPARED BY:	KEK / JMB	DATE: 10/2019
CHECKED BY:	MDN	DATE: 10/2019

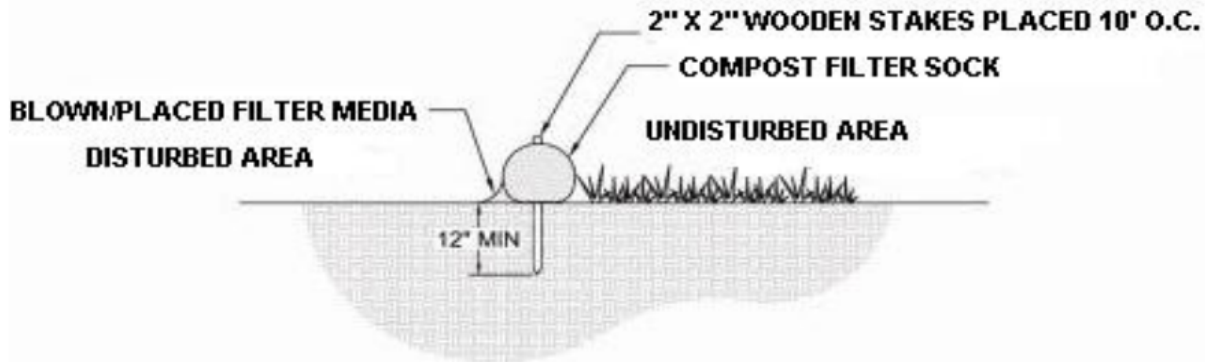


MILEPOST	DIAMETER (IN)	LOCATION	SLOPE PERCENT	SLOPE LENGTH ABOVE BARRIER (FT)
		APPROX. STATION		
18.5	12	976+56	7	32
18.5	12	976+78	7	10
18.5	12	977+11	9	139
18.5	12	977+37	9	112
18.5	12	977+61	9	89
18.5	12	977+81	9	69
18.5	12	978+08	10	42
18.5	12	978+29	9	22
18.6	12	980+24	9	146
18.6	12	980+44	9	128
18.6	12	980+62	9	110
18.6	12	980+82	8	91
18.6	12	981+02	8	71
18.6	12	981+25	7	50
18.6	12	981+41	8	52
18.6	12	981+41	8	41
18.6	12	981+72	8	27
18.6	12	982+29	6	108
18.6	12	982+62	5	78
18.6	12	983+00	5	44
18.6	12	983+34	5	14
18.6	12	983+42	3	154
18.6	12	984+49	3	142
18.6	12	984+76	3	131
18.7	12	985+30	4	154
18.7	12	985+73	5	16

# STANDARD E&S WORKSHEET #1

## Compost Filter Socks

PROJECT NAME:	PENNEAST PIPELINE PROJECT	
LOCATION:	LUZERNE COUNTY	
PROJECT COMPONENT:	MAINLINE	
PREPARED BY:	KEK / JMB	DATE: 10/2019
CHECKED BY:	MDN	DATE: 10/2019

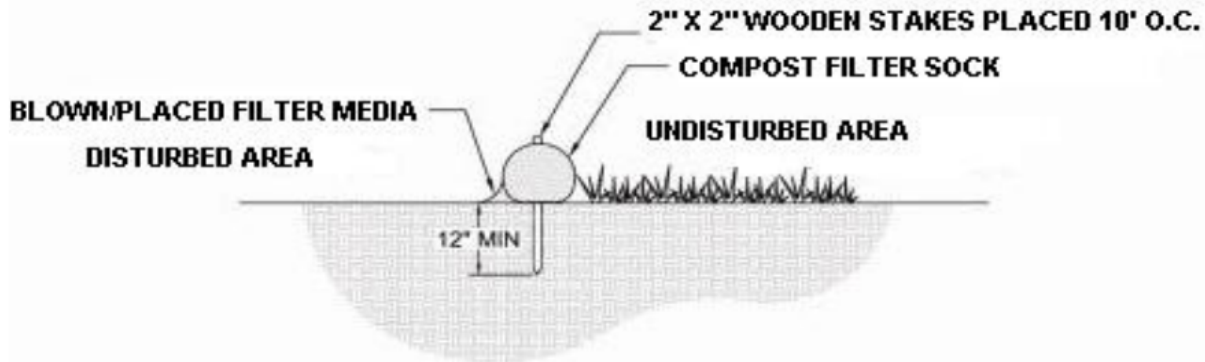


MILEPOST	DIAMETER (IN)	LOCATION	SLOPE PERCENT	SLOPE LENGTH ABOVE BARRIER (FT)
		APPROX. STATION		
18.7	12	986+00	5	40
18.7	12	986+38	5	73
18.7	12	986+49	4	20
18.7	12	986+49	4	30
18.7	12	986+65	5	96
18.7	12	986+98	5	126
18.7	12	987+30	5	155
18.7	12	987+58	5	179
18.7	12	987+97	4	211
18.7	12	988+57	4	41
18.7	12	988+88	4	75
18.7	12	989+11	4	98
18.7	12	989+41	4	132
18.7	12	989+67	4	167
18.8	12	990+03	4	205
18.8	12	990+35	4	242
18.8	12	990+66	4	18
18.8	12	990+94	3	46
18.8	12	991+30	4	82
18.8	12	991+63	4	114
18.8	12	991+87	4	140
18.8	12	992+14	4	170
18.8	12	992+50	4	205
18.8	12	992+79	4	237
18.8	12	993+18	4	19
18.8	12	993+53	5	52

# STANDARD E&S WORKSHEET #1

## Compost Filter Socks

PROJECT NAME:	PENNEAST PIPELINE PROJECT	
LOCATION:	LUZERNE COUNTY	
PROJECT COMPONENT:	MAINLINE	
PREPARED BY:	KEK / JMB	DATE: 10/2019
CHECKED BY:	MDN	DATE: 10/2019

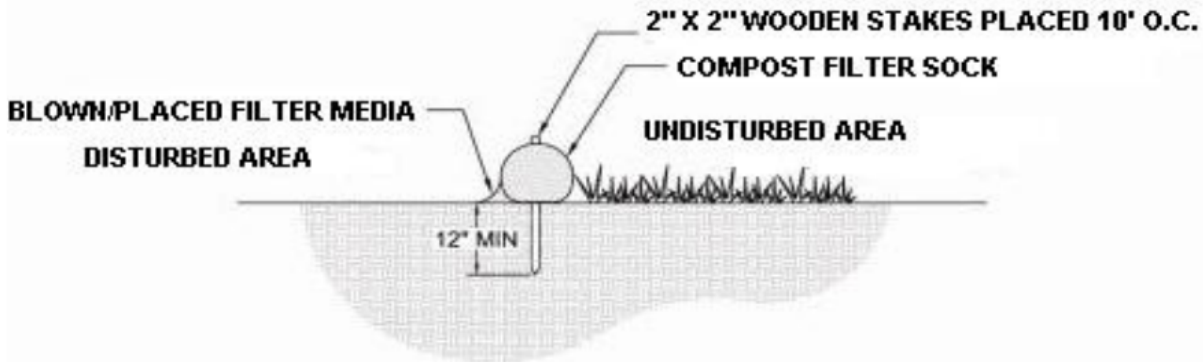


MILEPOST	DIAMETER (IN)	LOCATION	SLOPE PERCENT	SLOPE LENGTH ABOVE BARRIER (FT)
		APPROX. STATION		
18.8	12	993+92	5	88
18.8	12	994+28	6	123
18.8	12	994+67	9	15
18.8	12	994+93	9	36
18.9	12	995+38	8	77
18.9	12	995+75	8	106
18.9	12	996+03	8	132
18.9	12	996+27	9	17
18.9	12	996+54	9	41
18.9	12	996+80	9	67
18.9	12	997+03	9	89
18.9	12	997+29	9	114
18.9	12	997+51	9	135
18.9	12	997+77	9	19
18.9	12	998+01	9	43
18.9	12	998+25	9	66
18.9	12	998+58	8	98
18.9	12	998+87	8	126
18.9	12	999+06	9	146
18.9	12	999+29	16	12
18.9	12	999+47	17	32
18.9	12	999+73	17	60
18.9	18	1000+00	16	88
18.9	18	1000+25	15	113
18.9	18	1000+45	15	135
19.0	12	1000+76	12	16

# STANDARD E&S WORKSHEET #1

## Compost Filter Socks

PROJECT NAME:	PENNEAST PIPELINE PROJECT	
LOCATION:	LUZERNE COUNTY	
PROJECT COMPONENT:	MAINLINE	
PREPARED BY:	KEK / JMB	DATE: 10/2019
CHECKED BY:	MDN	DATE: 10/2019

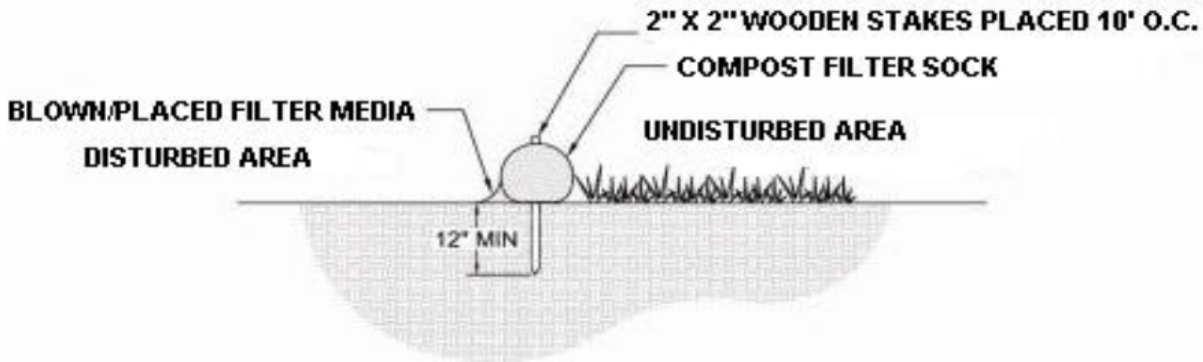


MILEPOST	DIAMETER (IN)	LOCATION	SLOPE PERCENT	SLOPE LENGTH ABOVE BARRIER (FT)
		APPROX. STATION		
19.0	12	1001+00	12	39
19.0	12	1001+35	11	71
19.0	12	1001+60	11	95
19.0	12	1001+83	10	117
19.0	12	1002+06	10	141
19.0	12	1002+48	8	32
19.0	12	1002+78	8	60
19.0	12	1003+02	9	84
19.0	12	1003+25	9	104
19.0	12	1003+50	9	128
19.0	12	1003+82	8	22
19.0	12	1004+04	7	43
19.0	12	1004+29	7	66
19.0	12	1004+51	8	87
19.0	12	1004+71	8	106
19.0	12	1004+92	8	125
19.0	12	1005+14	9	146
19.0	12	1005+43	9	19
19.0	12	1005+69	10	45
19.1	12	1005+99	9	76
19.1	12	1006+37	7	133
19.1	12	1006+60	3	63
19.1	12	1007+59	6	64
19.1	12	1007+95	6	38
19.1	12	1008+60	5	84
19.1	12	1009+14	5	43

# STANDARD E&S WORKSHEET #1

## Compost Filter Socks

PROJECT NAME:	PENNEAST PIPELINE PROJECT	
LOCATION:	LUZERNE COUNTY	
PROJECT COMPONENT:	MAINLINE	
PREPARED BY:	KEK / JMB	DATE: 10/2019
CHECKED BY:	MDN	DATE: 10/2019

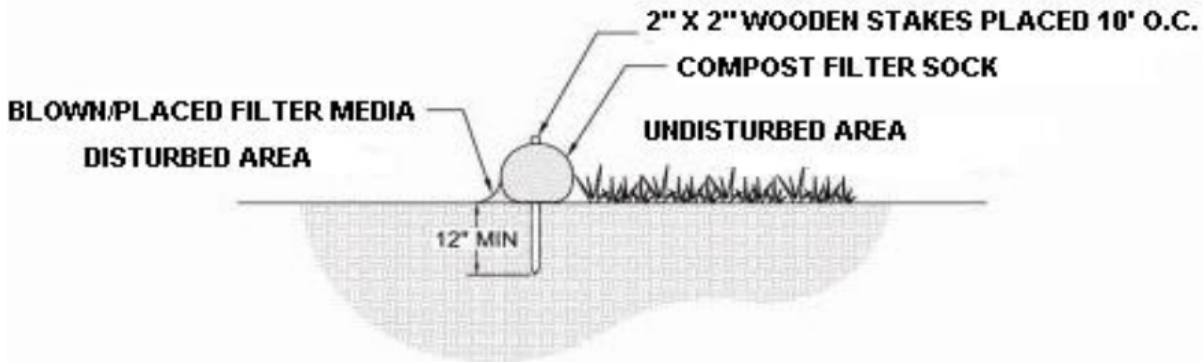


MILEPOST	DIAMETER (IN)	LOCATION	SLOPE PERCENT	SLOPE LENGTH ABOVE BARRIER (FT)
		APPROX. STATION		
19.1	18	1010+13	2	294
19.1	18	1011+10	1	316
19.2	12	1012+67	0	135
19.2	12	1012+98	1	168
19.2	12	1013+46	2	214
19.2	12	1013+74	2	242
19.2	12	1014+24	7	16
19.2	12	1014+50	7	39
19.2	12	1014+74	7	61
19.2	12	1014+97	8	83
19.2	12	1015+18	8	103
19.4	12	1023+19	12	19
19.4	12	1023+41	12	38
19.4	12	1023+84	10	78
19.4	12	1024+51	9	117
19.4	12	1025+45	6	52
19.4	12	1026+34	5	104
19.4	12	1026+59	5	121
19.5	12	1027+06	5	153
19.5	12	1027+39	5	174
19.5	12	1028+76	3	98
19.5	12	1030+02	5	67
19.5	12	1030+33	5	82
19.5	12	1030+91	5	106
19.5	12	1031+20	4	12
19.5	12	1031+49	5	41

# STANDARD E&S WORKSHEET #1

## Compost Filter Socks

PROJECT NAME:	PENNEAST PIPELINE PROJECT	
LOCATION:	LUZERNE COUNTY	
PROJECT COMPONENT:	MAINLINE	
PREPARED BY:	KEK / JMB	DATE: 10/2019
CHECKED BY:	MDN	DATE: 10/2019



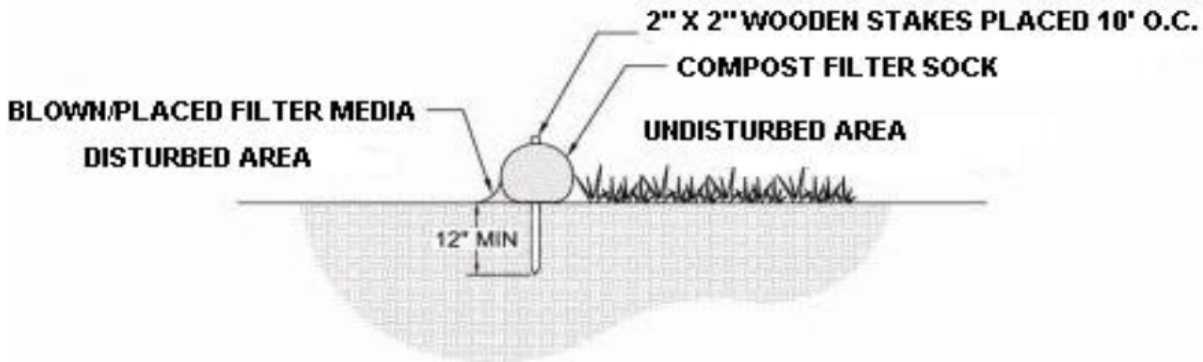
MILEPOST	DIAMETER (IN)	LOCATION	SLOPE PERCENT	SLOPE LENGTH ABOVE BARRIER (FT)
		APPROX. STATION		
19.5	12	1031+76	4	64
19.5	12	1032+15	6	21
19.6	12	1032+44	6	49
19.6	12	1032+68	8	71
19.6	12	1032+87	8	22
19.6	18	1033+28	8	197
19.6	12	1033+46	9	97
19.6	12	1034+28	4	80
19.6	12	1034+63	5	116
19.6	12	1034+95	6	145
19.6	18	1035+19	6	166
19.6	18	1035+44	7	189
19.6	12	1035+58	10	21
19.6	12	1035+60	14	10
19.6	12	1035+79	14	29
19.6	12	1035+89	14	41
19.6	12	1036+04	13	55
19.6	12	1036+26	13	77
19.6	12	1036+45	12	12
19.6	12	1036+52	16	25
19.6	12	1036+65	10	34
19.6	12	1037+23	3	21
19.6	12	1037+47	5	22
19.7	12	1037+71	6	19
19.7	12	1038+84	3	39
19.7	12	1039+02	3	54



# STANDARD E&S WORKSHEET #1

## Compost Filter Socks

PROJECT NAME:	PENNEAST PIPELINE PROJECT	
LOCATION:	LUZERNE COUNTY	
PROJECT COMPONENT:	MAINLINE	
PREPARED BY:	KEK / JMB	DATE: 10/2019
CHECKED BY:	MDN	DATE: 10/2019

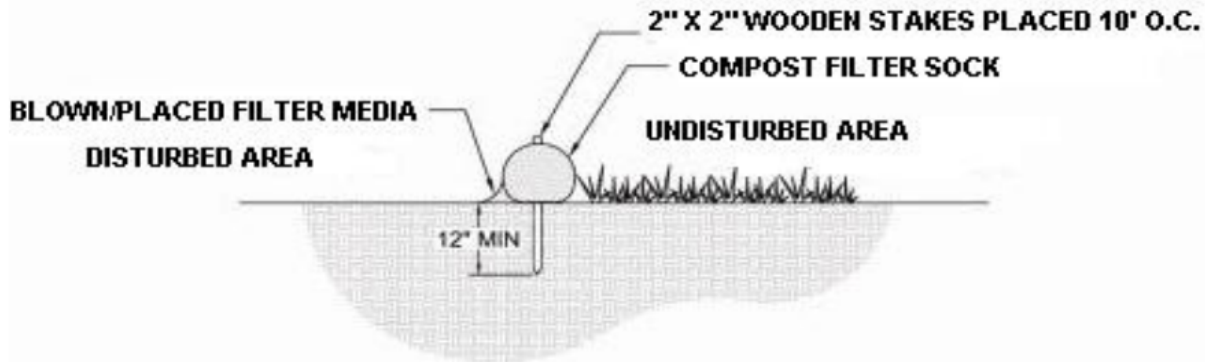


MILEPOST	DIAMETER (IN)	LOCATION	SLOPE PERCENT	SLOPE LENGTH ABOVE BARRIER (FT)
		APPROX. STATION		
19.7	12	1039+45	1	22
19.7	12	1039+66	3	27
19.7	12	1039+85	3	36
19.7	12	1041+72	11	24
19.7	18	1042+52	27	48
19.7	12	1042+67	27	41
19.8	12	1042+84	26	33
19.8	12	1042+99	25	25
19.8	12	1043+13	25	15
19.8	12	1043+29	25	5
19.8	12	1043+51	25	44
19.8	12	1043+66	24	32
19.8	12	1043+79	22	22
19.8	12	1043+98	19	11
19.8	18	1044+16	19	121
19.8	18	1044+34	20	104
19.8	18	1044+57	22	82
19.8	18	1044+74	24	64
19.8	18	1044+90	29	47
19.8	12	1045+05	30	34
19.8	12	1045+22	33	24
19.8	12	1045+40	33	16
19.8	12	1045+53	30	7
19.8	12	1046+29	15	64
19.8	12	1046+50	20	41
19.8	12	1046+65	22	27

# STANDARD E&S WORKSHEET #1

## Compost Filter Socks

PROJECT NAME:	PENNEAST PIPELINE PROJECT	
LOCATION:	LUZERNE COUNTY	
PROJECT COMPONENT:	MAINLINE	
PREPARED BY:	KEK / JMB	DATE: 10/2019
CHECKED BY:	MDN	DATE: 10/2019

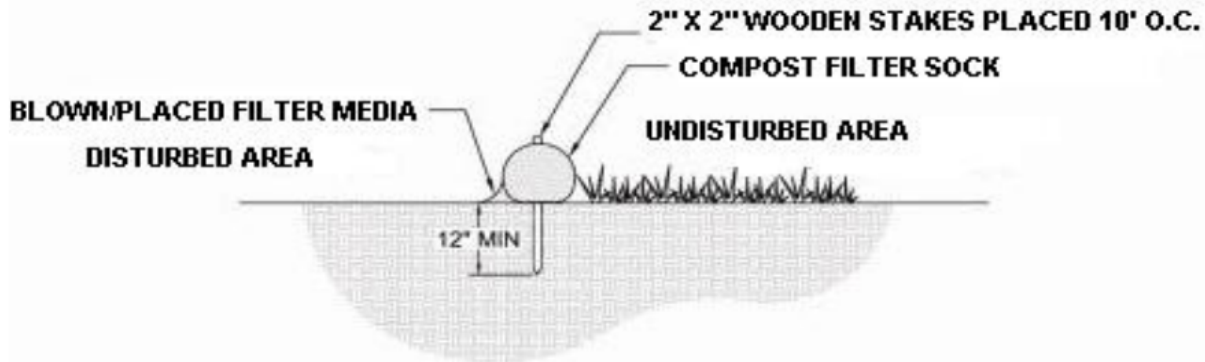


MILEPOST	DIAMETER (IN)	LOCATION	SLOPE PERCENT	SLOPE LENGTH ABOVE BARRIER (FT)
		APPROX. STATION		
19.8	12	1046+82	23	10
19.8	12	1046+99	9	146
19.8	12	1047+18	7	130
19.8	12	1047+34	7	109
19.8	12	1047+55	5	90
19.8	12	1047+87	4	73
19.9	12	1049+70	11	86
19.9	12	1049+97	13	52
19.9	12	1050+20	15	37
19.9	12	1050+46	14	18
19.9	12	1050+83	9	106
19.9	12	1051+69	10	115
19.9	18	1051+85	13	105
19.9	18	1052+08	15	105
19.9	18	1052+68	16	102
19.9	18	1053+14	18	99
19.9	18	1053+31	19	100
20.0	24	1053+59	22	101
20.0	24	1055+07	23	102
20.0	18	1055+87	19	147
20.0	18	1056+26	17	139
20.0	18	1056+42	17	134
20.0	18	1056+58	18	81
20.0	18	1056+85	17	82
20.0	12	1057+34	15	81
20.0	18	1057+97	16	75

# STANDARD E&S WORKSHEET #1

## Compost Filter Socks

PROJECT NAME:	PENNEAST PIPELINE PROJECT		
LOCATION:	LUZERNE COUNTY		
PROJECT COMPONENT:	MAINLINE		
PREPARED BY:	KEK / JMB	DATE:	10/2019
CHECKED BY:	MDN	DATE:	10/2019

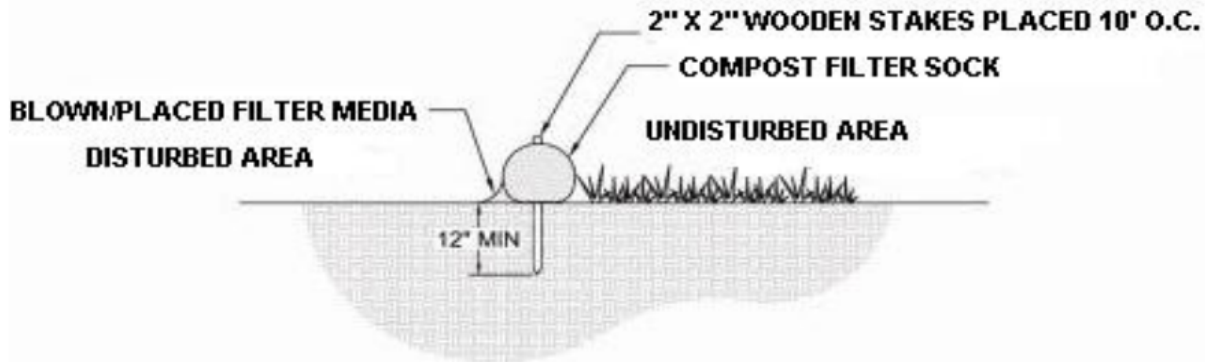


MILEPOST	DIAMETER (IN)	LOCATION	SLOPE PERCENT	SLOPE LENGTH ABOVE BARRIER (FT)
		APPROX. STATION		
20.0	18	1058+38	17	71
20.0	12	1058+52	15	56
20.1	12	1058+73	14	39
20.1	12	1058+76	19	43
20.1	12	1058+93	19	30
20.1	12	1058+95	10	29
20.1	12	1059+14	17	39
20.1	12	1059+62	13	76
20.1	12	1059+88	13	57
20.1	12	1060+14	13	40
20.1	12	1060+39	13	23
20.1	12	1060+86	6	78
20.1	12	1061+50	4	74
20.1	12	1062+38	4	25
20.1	12	1062+89	7	22
20.1	12	1063+01	3	30
20.1	12	1063+29	5	15
20.2	12	1064+39	5	54
20.2	12	1064+72	5	34
20.2	12	1064+96	5	14
20.2	18	1065+27	14	114
20.2	18	1065+54	17	88
20.2	18	1065+80	24	60
20.2	12	1065+98	28	43
20.2	12	1066+19	31	23
20.2	12	1066+34	29	8

# STANDARD E&S WORKSHEET #1

## Compost Filter Socks

PROJECT NAME:	PENNEAST PIPELINE PROJECT	
LOCATION:	LUZERNE COUNTY	
PROJECT COMPONENT:	MAINLINE	
PREPARED BY:	KEK / JMB	DATE: 10/2019
CHECKED BY:	MDN	DATE: 10/2019

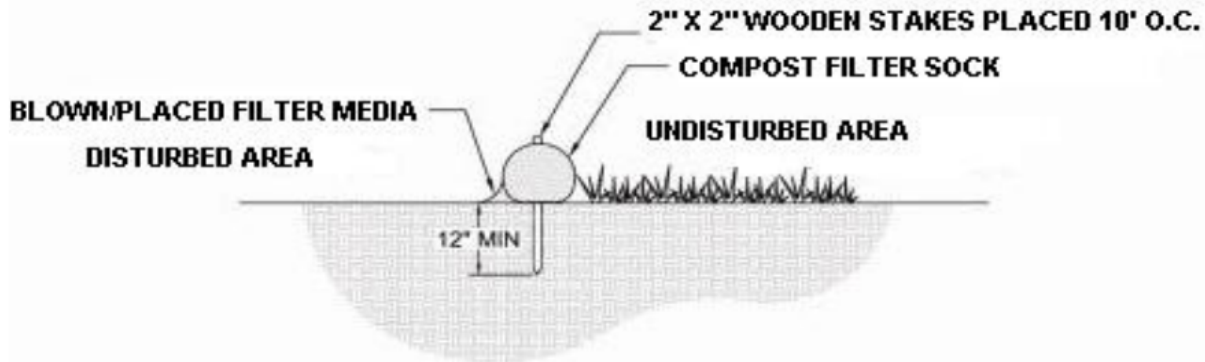


MILEPOST	DIAMETER (IN)	LOCATION	SLOPE PERCENT	SLOPE LENGTH ABOVE BARRIER (FT)
		APPROX. STATION		
20.2	18	1066+56	20	77
20.2	12	1066+76	18	57
20.2	12	1066+99	18	34
20.2	12	1067+10	18	27
20.2	12	1067+10	21	38
20.2	12	1067+10	21	34
20.2	12	1067+88	7	56
20.2	18	1069+13	12	112
20.3	12	1069+47	13	83
20.3	12	1069+69	13	62
20.3	12	1069+95	15	39
20.3	12	1070+22	15	15
20.3	18	1070+52	11	116
20.3	12	1070+76	10	95
20.3	12	1070+99	9	73
20.3	12	1071+21	9	52
20.3	12	1071+44	9	35
20.3	12	1071+97	4	111
20.3	12	1073+07	25	8
20.3	12	1073+25	21	18
20.3	12	1073+61	18	50
20.3	12	1074+00	7	93
20.3	12	1074+30	6	58
20.4	12	1075+06	10	108
20.4	12	1075+34	10	80
20.4	12	1075+59	10	55

# STANDARD E&S WORKSHEET #1

## Compost Filter Socks

PROJECT NAME:	PENNEAST PIPELINE PROJECT		
LOCATION:	LUZERNE COUNTY		
PROJECT COMPONENT:	MAINLINE		
PREPARED BY:	KEK / JMB	DATE:	10/2019
CHECKED BY:	MDN	DATE:	10/2019

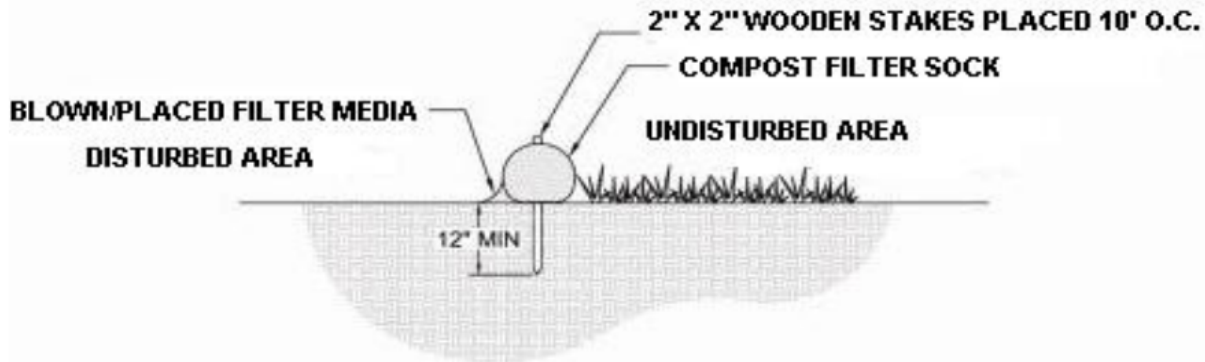


MILEPOST	DIAMETER (IN)	LOCATION	SLOPE PERCENT	SLOPE LENGTH ABOVE BARRIER (FT)
		APPROX. STATION		
20.4	12	1075+84	9	29
20.4	18	1076+33	14	157
20.4	18	1076+70	16	117
20.4	18	1077+00	17	83
20.4	18	1078+53	15	165
20.4	18	1078+67	14	149
20.4	18	1078+83	14	137
20.4	18	1079+02	12	139
20.4	18	1079+14	14	110
20.4	12	1079+29	15	83
20.4	18	1079+43	19	84
20.4	12	1079+44	15	66
20.4	18	1079+47	18	78
20.4	18	1079+49	17	70
20.4	12	1079+53	15	62
20.4	12	1079+68	20	60
20.5	12	1079+84	20	43
20.5	12	1079+99	20	28
20.5	12	1080+17	19	11
20.5	12	1080+49	8	79
20.5	12	1080+67	8	64
20.5	12	1080+90	7	43
20.5	12	1081+11	7	23
20.5	12	1081+60	7	120
20.5	12	1081+84	7	100
20.5	12	1082+11	7	78

# STANDARD E&S WORKSHEET #1

## Compost Filter Socks

PROJECT NAME:	PENNEAST PIPELINE PROJECT		
LOCATION:	LUZERNE COUNTY		
PROJECT COMPONENT:	MAINLINE		
PREPARED BY:	KEK / JMB	DATE:	10/2019
CHECKED BY:	MDN	DATE:	10/2019

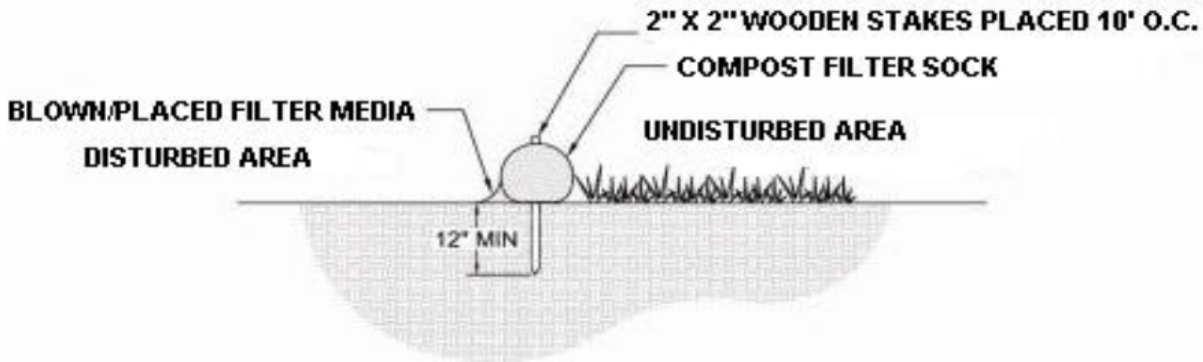


MILEPOST	DIAMETER (IN)	LOCATION	SLOPE PERCENT	SLOPE LENGTH ABOVE BARRIER (FT)
		APPROX. STATION		
20.5	12	1082+35	7	58
20.5	12	1082+64	7	35
20.5	12	1082+93	7	19
20.5	12	1083+43	5	203
20.5	12	1083+90	5	169
20.6	12	1085+04	4	157
20.6	12	1086+02	4	192
20.6	12	1086+66	3	231
20.6	12	1086+80	3	244
20.6	18	1087+17	3	278
20.6	18	1087+37	4	293
20.6	12	1087+86	10	45
20.6	12	1087+98	11	46
20.6	12	1088+16	9	75
20.6	12	1088+23	10	72
20.6	12	1088+47	8	104
20.6	12	1088+57	9	109
20.6	12	1088+77	7	134
20.6	12	1089+18	9	46
20.6	12	1089+52	8	75
20.6	12	1089+79	6	109
20.6	12	1090+31	6	33
20.7	12	1090+51	7	46
20.7	12	1090+69	7	66
20.7	12	1090+90	7	87
20.7	12	1091+07	7	105

# STANDARD E&S WORKSHEET #1

## Compost Filter Socks

PROJECT NAME:	PENNEAST PIPELINE PROJECT		
LOCATION:	LUZERNE COUNTY		
PROJECT COMPONENT:	MAINLINE		
PREPARED BY:	KEK / JMB	DATE:	10/2019
CHECKED BY:	MDN	DATE:	10/2019

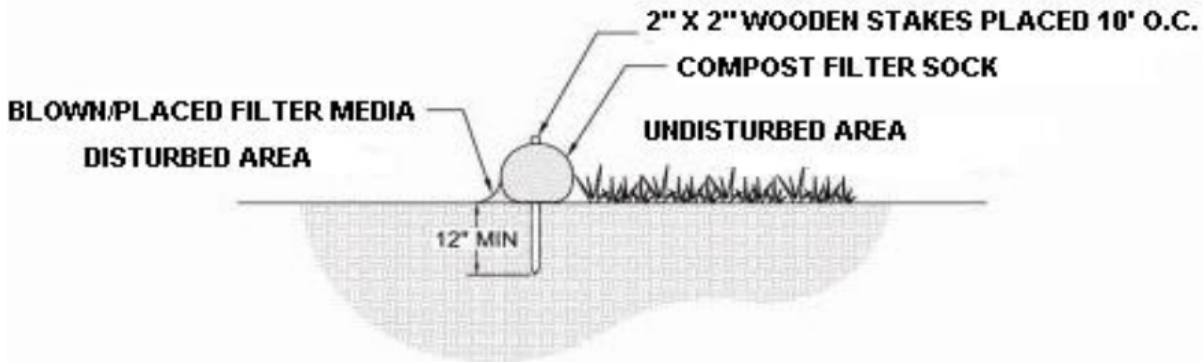


MILEPOST	DIAMETER (IN)	LOCATION	SLOPE PERCENT	SLOPE LENGTH ABOVE BARRIER (FT)
		APPROX. STATION		
20.7	12	1091+27	7	132
20.7	18	1091+50	7	155
20.7	18	1091+70	7	180
20.7	12	1092+40	5	82
20.7	12	1092+62	4	111
20.7	12	1092+72	4	74
20.7	12	1093+34	3	21
20.7	12	1093+90	4	96
20.7	12	1094+37	4	79
20.8	12	1097+18	8	141
20.8	12	1097+42	8	118
20.8	12	1097+70	7	92
20.8	12	1097+96	7	67
20.8	12	1098+24	6	41
20.8	12	1098+52	7	15
20.8	12	1098+75	8	124
20.8	12	1098+98	8	103
20.8	12	1099+25	9	77
20.8	12	1099+50	9	53
20.8	12	1099+70	10	34
20.8	12	1099+90	10	15
20.8	12	1100+23	8	112
20.8	12	1100+50	8	84
20.8	12	1100+80	8	53
20.9	12	1101+04	8	29
20.9	12	1101+60	6	127

# STANDARD E&S WORKSHEET #1

## Compost Filter Socks

PROJECT NAME:	PENNEAST PIPELINE PROJECT	
LOCATION:	LUZERNE COUNTY	
PROJECT COMPONENT:	MAINLINE	
PREPARED BY:	KEK / JMB	DATE: 10/2019
CHECKED BY:	MDN	DATE: 10/2019



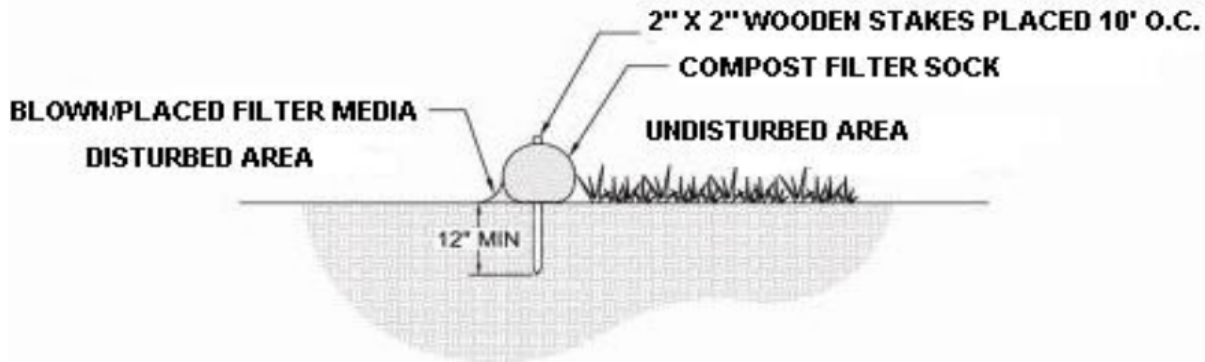
MILEPOST	DIAMETER (IN)	LOCATION	SLOPE PERCENT	SLOPE LENGTH ABOVE BARRIER (FT)
		APPROX. STATION		
20.9	12	1101+89	6	94
20.9	12	1102+15	6	63
20.9	12	1102+45	7	30
20.9	12	1103+31	5	94
20.9	12	1103+90	5	27
20.9	18	1104+47	3	299
20.9	18	1105+39	3	300
20.9	18	1105+98	3	313
21.0	12	1106+54	3	19
21.0	12	1106+99	4	65
21.0	12	1107+34	5	102
21.0	12	1107+65	5	133
21.0	12	1108+25	7	30
21.0	12	1108+53	7	58
21.0	12	1108+77	7	84
21.0	12	1109+05	8	113
21.0	12	1109+30	8	141
21.0	12	1109+67	9	20
21.0	12	1109+94	9	49
21.0	12	1110+19	9	75
21.0	12	1110+41	9	98
21.0	12	1110+68	9	128
21.0	12	1111+14	9	25
21.0	12	1111+38	10	50
21.1	12	1111+57	10	72
21.1	12	1111+85	9	100



# STANDARD E&S WORKSHEET #1

## Compost Filter Socks

PROJECT NAME:	PENNEAST PIPELINE PROJECT		
LOCATION:	LUZERNE COUNTY		
PROJECT COMPONENT:	MAINLINE		
PREPARED BY:	KEK / JMB	DATE:	10/2019
CHECKED BY:	MDN	DATE:	10/2019

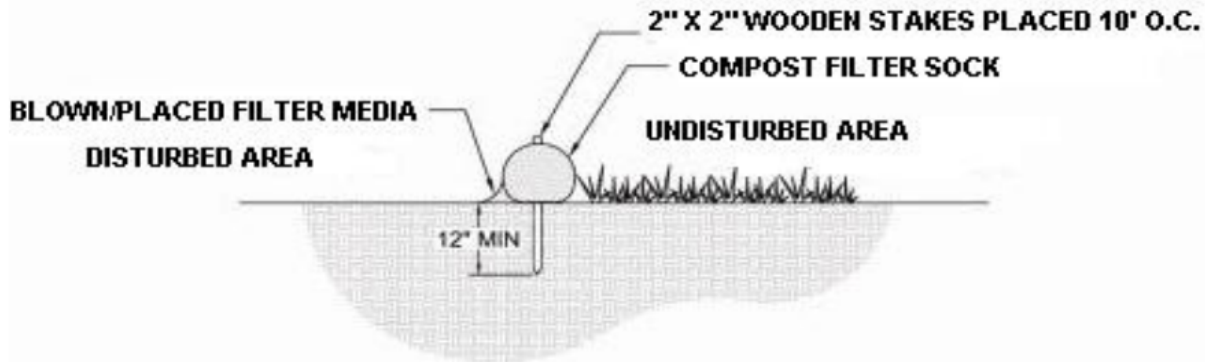


MILEPOST	DIAMETER (IN)	LOCATION	SLOPE PERCENT	SLOPE LENGTH ABOVE BARRIER (FT)
		APPROX. STATION		
21.1	12	1112+33	10	25
21.1	12	1112+61	9	52
21.1	12	1112+89	9	78
21.1	12	1113+09	9	98
21.1	12	1113+45	7	24
21.1	12	1113+77	6	49
21.1	12	1114+28	5	89
21.1	12	1114+74	4	31
21.1	12	1115+29	6	107
21.1	12	1116+18	6	49
21.1	12	1116+26	6	41
21.1	12	1116+30	6	19
21.1	12	1116+71	5	23
21.2	12	1117+12	5	52
21.2	12	1117+67	6	74
21.2	12	1117+87	4	23
21.2	12	1118+07	4	12
21.2	12	1118+85	6	73
21.2	12	1119+82	6	74
21.2	12	1120+42	7	149
21.2	12	1121+16	6	149
21.2	12	1121+37	6	69
21.3	12	1122+84	6	109
21.3	12	1123+80	6	74
21.3	12	1126+28	5	34
21.3	12	1126+39	5	25

# STANDARD E&S WORKSHEET #1

## Compost Filter Socks

PROJECT NAME:	PENNEAST PIPELINE PROJECT		
LOCATION:	LUZERNE COUNTY		
PROJECT COMPONENT:	MAINLINE		
PREPARED BY:	KEK / JMB	DATE:	10/2019
CHECKED BY:	MDN	DATE:	10/2019

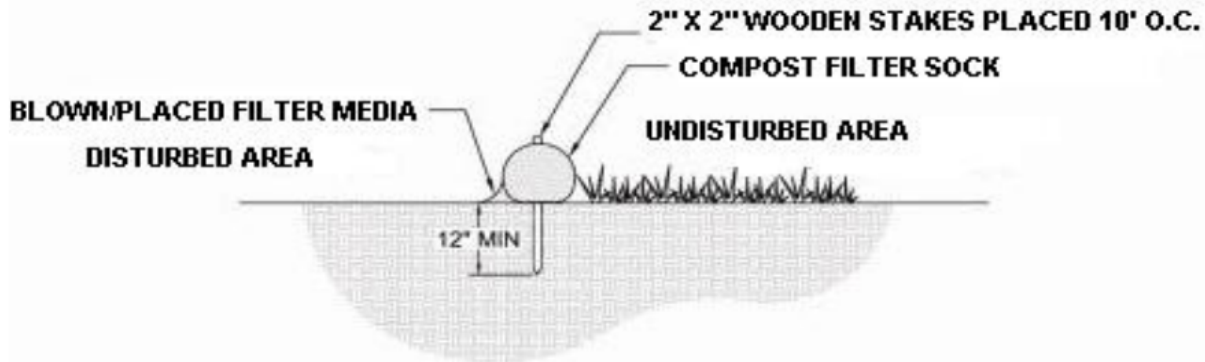


MILEPOST	DIAMETER (IN)	LOCATION	SLOPE PERCENT	SLOPE LENGTH ABOVE BARRIER (FT)
		APPROX. STATION		
21.3	12	1126+63	6	67
21.3	12	1126+72	5	63
21.3	12	1126+95	6	90
21.4	12	1127+40	7	26
21.4	12	1127+62	7	46
21.4	12	1128+15	7	101
21.4	12	1128+59	7	32
21.4	12	1128+87	6	60
21.4	12	1129+42	6	116
21.4	12	1130+56	6	94
21.4	12	1130+81	6	123
21.4	18	1131+08	6	155
21.4	12	1131+37	9	27
21.4	12	1131+62	9	51
21.4	12	1131+83	9	73
21.4	12	1132+03	9	92
21.4	12	1132+27	9	116
21.4	12	1132+47	9	137
21.5	12	1132+73	9	24
21.5	12	1132+96	9	47
21.5	12	1133+20	9	71
21.5	12	1133+39	9	91
21.5	12	1133+64	9	116
21.5	12	1133+93	8	144
21.5	18	1134+11	8	164
21.5	12	1134+61	7	54

# STANDARD E&S WORKSHEET #1

## Compost Filter Socks

PROJECT NAME:	PENNEAST PIPELINE PROJECT		
LOCATION:	LUZERNE COUNTY		
PROJECT COMPONENT:	MAINLINE		
PREPARED BY:	KEK / JMB	DATE:	10/2019
CHECKED BY:	MDN	DATE:	10/2019

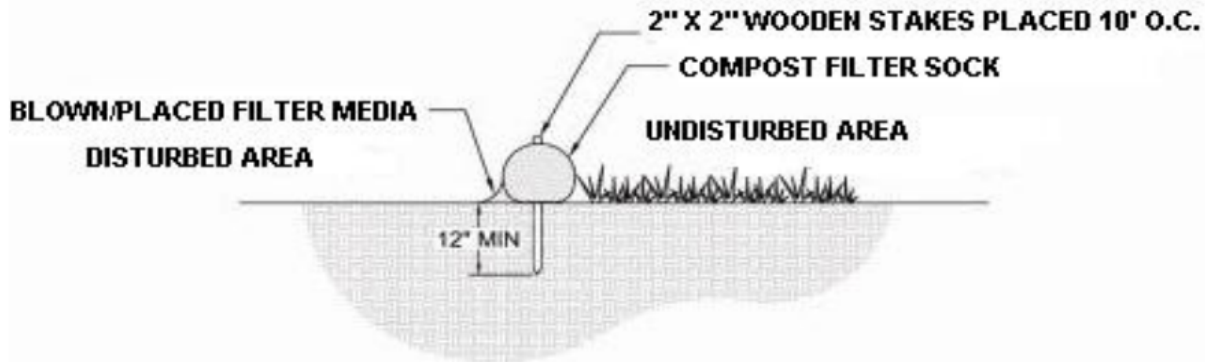


MILEPOST	DIAMETER (IN)	LOCATION	SLOPE PERCENT	SLOPE LENGTH ABOVE BARRIER (FT)
		APPROX. STATION		
21.5	12	1135+11	5	107
21.5	12	1135+63	5	160
21.5	12	1136+09	5	204
21.5	12	1136+50	5	29
21.5	12	1137+11	5	80
21.6	12	1138+14	3	168
21.6	12	1138+51	3	200
21.6	12	1139+46	2	80
21.6	12	1139+68	1	65
21.6	12	1140+81	2	210
21.6	12	1140+95	2	203
21.6	18	1141+40	2	266
21.6	12	1142+05	2	43
21.7	12	1143+13	2	134
21.7	12	1143+89	2	192
21.7	12	1144+37	2	49
21.7	12	1145+18	2	170
21.7	12	1145+20	2	135
21.7	12	1145+56	3	172
21.7	12	1145+56	3	204
21.7	12	1145+86	3	231
21.7	12	1145+91	3	210
21.7	12	1146+10	3	232
21.7	12	1146+30	10	29
21.7	12	1146+68	8	42
21.7	12	1147+04	7	80

# STANDARD E&S WORKSHEET #1

## Compost Filter Socks

PROJECT NAME:	PENNEAST PIPELINE PROJECT	
LOCATION:	LUZERNE COUNTY	
PROJECT COMPONENT:	MAINLINE	
PREPARED BY:	KEK / JMB	DATE: 10/2019
CHECKED BY:	MDN	DATE: 10/2019

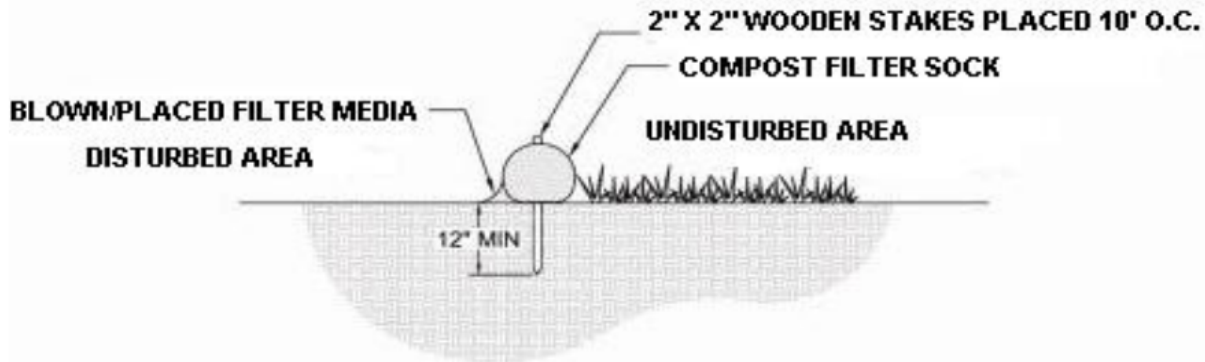


MILEPOST	DIAMETER (IN)	LOCATION	SLOPE PERCENT	SLOPE LENGTH ABOVE BARRIER (FT)
		APPROX. STATION		
21.7	12	1147+51	6	127
21.7	12	1147+66	6	144
21.7	12	1148+34	3	63
21.8	12	1148+89	4	120
21.8	12	1149+57	3	192
21.8	12	1150+02	3	236
21.8	12	1150+43	3	37
21.8	12	1150+85	3	85
21.8	12	1151+15	3	118
21.8	12	1151+65	3	77
21.8	12	1151+82	3	190
21.8	12	1152+12	4	118
21.8	12	1152+28	4	127
21.8	12	1152+28	3	237
21.8	12	1152+48	5	13
21.8	12	1152+66	4	26
21.8	12	1153+21	4	84
21.8	12	1153+33	4	92
21.8	12	1153+67	4	125
21.9	12	1153+73	4	136
21.9	12	1154+06	4	163
21.9	12	1154+24	4	186
21.9	12	1154+48	4	204
21.9	12	1154+59	4	215
21.9	12	1154+77	4	238
21.9	18	1154+98	4	258

# STANDARD E&S WORKSHEET #1

## Compost Filter Socks

PROJECT NAME:	PENNEAST PIPELINE PROJECT	
LOCATION:	LUZERNE COUNTY	
PROJECT COMPONENT:	MAINLINE	
PREPARED BY:	KEK / JMB	DATE: 10/2019
CHECKED BY:	MDN	DATE: 10/2019

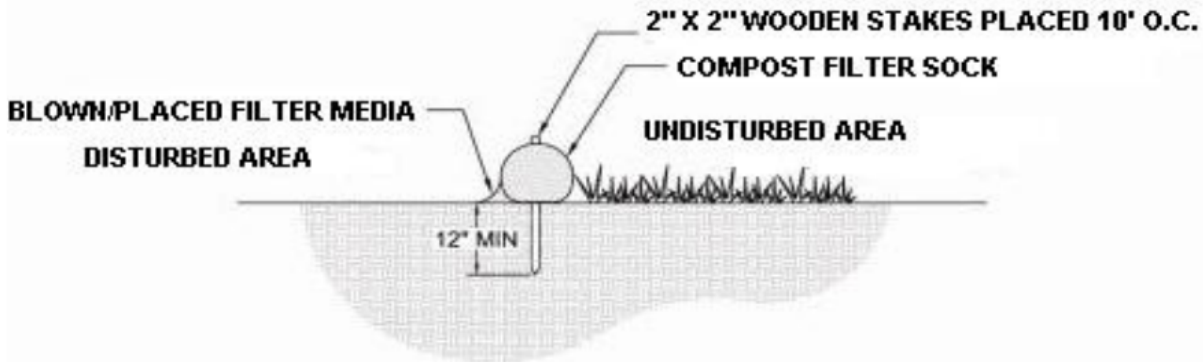


MILEPOST	DIAMETER (IN)	LOCATION	SLOPE PERCENT	SLOPE LENGTH ABOVE BARRIER (FT)
		APPROX. STATION		
21.9	12	1155+11	5	42
21.9	12	1155+60	5	89
21.9	12	1156+27	4	152
21.9	12	1156+71	4	200
21.9	12	1156+97	4	225
21.9	12	1157+28	4	18
21.9	12	1157+95	4	69
21.9	12	1158+59	4	120
22.0	12	1159+07	4	152
22.0	12	1159+56	4	188
22.0	12	1160+54	4	68
22.0	12	1161+13	4	25
22.0	12	1161+59	5	73
22.0	12	1161+61	3	173
22.0	12	1161+85	3	193
22.0	12	1162+05	4	124
22.0	12	1162+23	4	150
22.0	12	1162+36	5	27
22.0	12	1162+78	5	67
22.0	12	1163+06	6	92
22.0	12	1163+29	7	107
22.0	12	1163+52	7	133
22.0	12	1164+13	4	46
22.1	12	1164+68	4	100
22.1	12	1165+25	4	155
22.1	12	1165+54	4	183

# STANDARD E&S WORKSHEET #1

## Compost Filter Socks

PROJECT NAME:	PENNEAST PIPELINE PROJECT		
LOCATION:	LUZERNE COUNTY		
PROJECT COMPONENT:	MAINLINE		
PREPARED BY:	KEK / JMB	DATE:	10/2019
CHECKED BY:	MDN	DATE:	10/2019

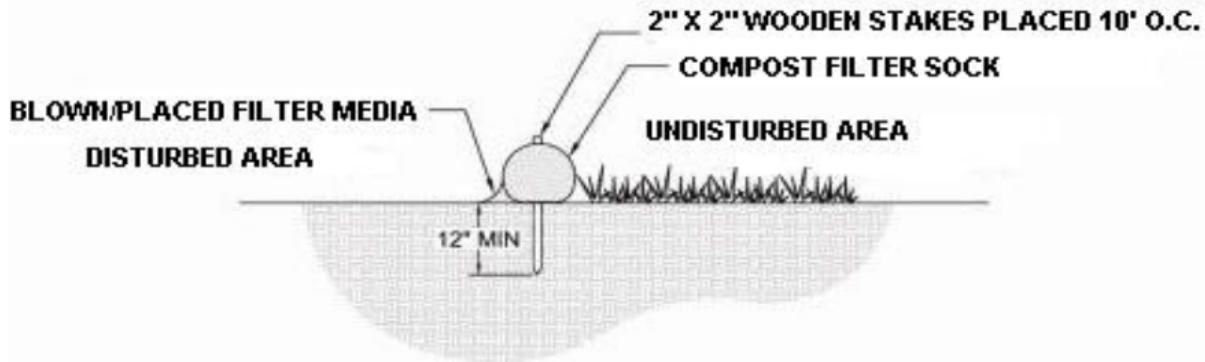


MILEPOST	DIAMETER (IN)	LOCATION	SLOPE PERCENT	SLOPE LENGTH ABOVE BARRIER (FT)
		APPROX. STATION		
22.1	12	1165+83	4	210
22.1	12	1166+35	8	28
22.1	12	1166+58	9	48
22.1	12	1166+74	9	62
22.1	12	1166+88	9	75
22.1	12	1167+07	9	94
22.1	12	1167+39	8	137
22.1	12	1167+57	4	13
22.1	12	1167+75	7	30
22.1	12	1167+95	7	52
22.1	12	1168+17	8	74
22.1	12	1168+43	7	101
22.1	12	1168+68	7	124
22.1	12	1169+18	6	33
22.2	12	1169+56	5	71
22.2	12	1169+94	5	111
22.2	12	1170+39	5	154
22.2	12	1171+02	5	215
22.2	12	1171+96	4	55
22.2	12	1172+62	4	120
22.2	12	1173+10	4	165
22.2	12	1173+62	4	215
22.2	12	1173+87	4	240
22.2	12	1174+26	3	24
22.3	12	1174+91	4	81
22.3	12	1175+53	3	143

# STANDARD E&S WORKSHEET #1

## Compost Filter Socks

PROJECT NAME:	PENNEAST PIPELINE PROJECT	
LOCATION:	LUZERNE COUNTY	
PROJECT COMPONENT:	MAINLINE	
PREPARED BY:	KEK / JMB	DATE: 10/2019
CHECKED BY:	MDN	DATE: 10/2019

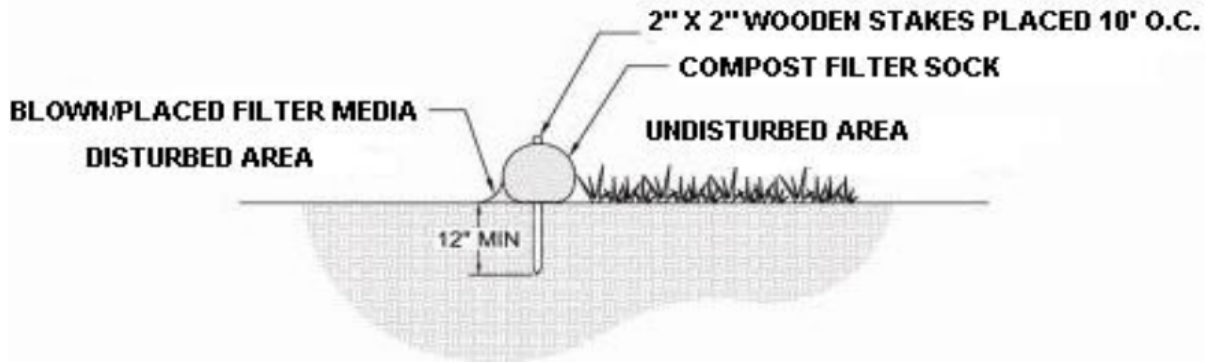


MILEPOST	DIAMETER (IN)	LOCATION	SLOPE PERCENT	SLOPE LENGTH ABOVE BARRIER (FT)
		APPROX. STATION		
22.3	12	1176+03	3	185
22.3	12	1176+40	4	224
22.3	12	1176+84	4	40
22.3	12	1177+40	4	94
22.3	12	1177+95	4	148
22.3	12	1178+06	4	125
22.3	12	1178+52	4	201
22.3	12	1178+66	4	193
22.3	12	1178+85	4	234
22.3	12	1178+86	4	214
22.3	12	1179+10	4	243
22.3	12	1179+16	3	15
22.3	18	1179+30	4	269
22.3	18	1179+51	4	306
22.3	12	1179+55	3	50
22.3	12	1179+80	5	32
22.4	12	1180+19	4	117
22.4	12	1180+27	5	101
22.4	12	1180+74	4	158
22.4	12	1180+76	4	171
22.4	12	1181+33	4	239
22.4	12	1181+52	3	247
22.4	12	1181+79	4	45
22.4	12	1182+42	4	120
22.4	12	1183+19	5	56
22.4	12	1183+51	4	84

# STANDARD E&S WORKSHEET #1

## Compost Filter Socks

PROJECT NAME:	PENNEAST PIPELINE PROJECT	
LOCATION:	LUZERNE COUNTY	
PROJECT COMPONENT:	MAINLINE	
PREPARED BY:	KEK / JMB	DATE: 10/2019
CHECKED BY:	MDN	DATE: 10/2019



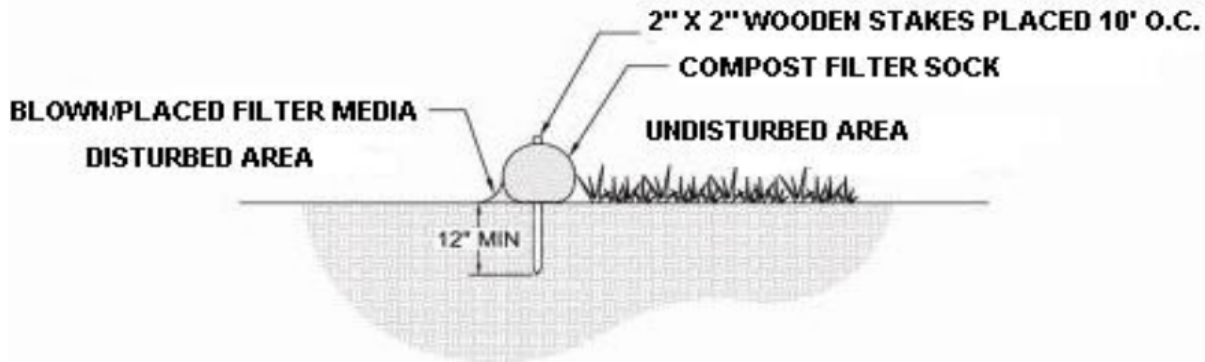
MILEPOST	DIAMETER (IN)	LOCATION	SLOPE PERCENT	SLOPE LENGTH ABOVE BARRIER (FT)
		APPROX. STATION		
22.4	12	1183+91	3	98
22.4	12	1184+24	3	124
22.4	12	1184+48	4	139
22.5	12	1185+70	8	39
22.5	12	1186+07	7	72
22.5	12	1186+42	7	27
22.5	12	1187+08	7	95
22.5	12	1188+46	4	74
22.5	12	1188+65	4	85
22.5	18	1188+81	7	174
22.5	18	1188+96	8	183
22.5	18	1189+09	8	192
22.5	12	1189+89	8	32
22.5	12	1190+14	9	44
22.5	12	1190+39	11	55
22.5	12	1190+57	10	47
22.5	12	1190+57	11	51
22.5	12	1190+57	12	57
22.5	12	1190+57	12	67
22.5	12	1190+60	9	40
22.6	12	1190+68	10	19
22.6	12	1190+89	12	38
22.6	12	1191+18	13	64
22.6	12	1192+07	44	8
22.6	12	1192+24	40	26
22.6	12	1192+47	39	15



# STANDARD E&S WORKSHEET #1

## Compost Filter Socks

PROJECT NAME:	PENNEAST PIPELINE PROJECT		
LOCATION:	LUZERNE COUNTY		
PROJECT COMPONENT:	MAINLINE		
PREPARED BY:	KEK / JMB	DATE:	10/2019
CHECKED BY:	MDN	DATE:	10/2019

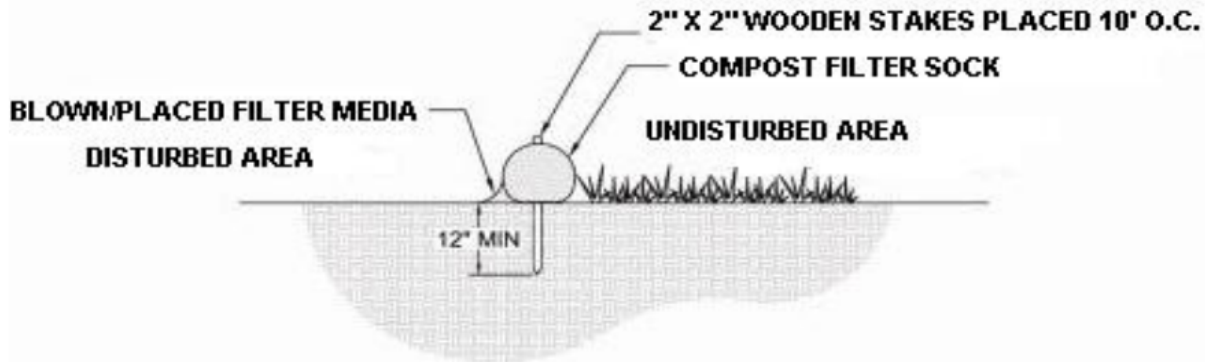


MILEPOST	DIAMETER (IN)	LOCATION	SLOPE PERCENT	SLOPE LENGTH ABOVE BARRIER (FT)
		APPROX. STATION		
22.6	12	1192+66	39	35
22.6	12	1192+89	44	13
22.6	12	1193+02	44	27
22.6	18	1193+14	45	39
22.6	12	1193+39	49	16
22.6	32" DURASOXX	1193+57	51	34
22.6	32" DURASOXX	1193+74	51	55
22.6	18	1193+98	49	20
22.6	24	1194+15	49	38
22.6	32	1194+30	47	54
22.6	12	1194+47	39	13
22.6	12	1194+62	37	29
22.6	18	1194+78	35	45
22.6	12	1195+48	20	56
22.7	12	1196+09	17	21
22.7	12	1196+19	15	26
22.7	12	1196+40	34	21
22.7	12	1196+53	30	25
22.7	12	1196+88	34	36
22.7	12	1197+03	29	22
22.7	12	1197+18	27	9
22.7	12	1197+41	19	51
22.7	12	1197+57	17	39
22.7	12	1197+71	16	18
22.7	24	1197+84	14	240
22.7	12	1197+91	15	87

# STANDARD E&S WORKSHEET #1

## Compost Filter Socks

PROJECT NAME:	PENNEAST PIPELINE PROJECT	
LOCATION:	LUZERNE COUNTY	
PROJECT COMPONENT:	MAINLINE	
PREPARED BY:	KEK / JMB	DATE: 10/2019
CHECKED BY:	MDN	DATE: 10/2019

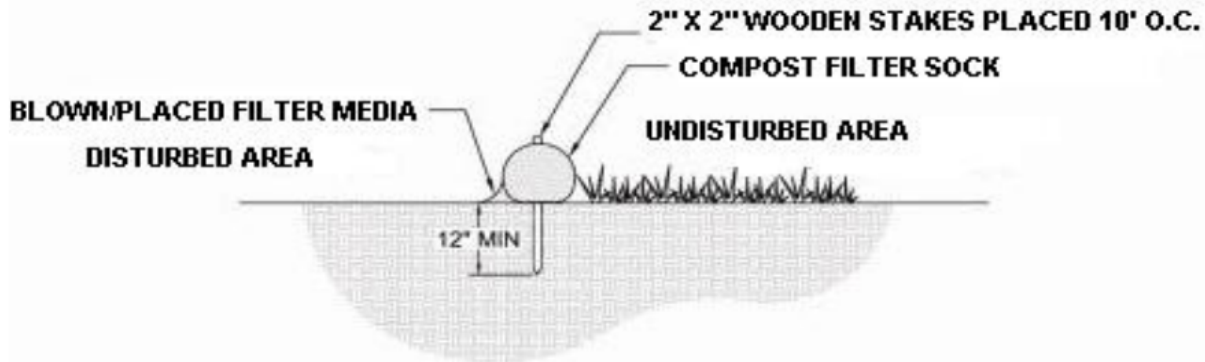


MILEPOST	DIAMETER (IN)	LOCATION	SLOPE PERCENT	SLOPE LENGTH ABOVE BARRIER (FT)
		APPROX. STATION		
22.7	12	1197+98	15	65
22.7	12	1198+05	15	74
22.7	12	1198+11	15	52
22.7	12	1198+20	15	59
22.7	12	1198+25	15	35
22.7	12	1198+34	14	45
22.7	12	1198+50	14	31
22.7	12	1198+69	13	13
22.7	12	1198+93	12	73
22.7	12	1199+10	12	58
22.7	12	1199+23	12	44
22.7	12	1199+41	13	28
22.7	12	1199+58	13	16
22.7	18	1199+92	12	104
22.7	12	1200+08	11	91
22.7	12	1200+27	11	74
22.7	12	1200+47	11	55
22.7	12	1200+70	11	36
22.7	12	1200+89	12	21
22.7	18	1201+18	19	98
22.8	18	1201+32	20	87
22.8	18	1201+48	20	74
22.8	12	1201+62	20	60
22.8	12	1201+77	21	47
22.8	12	1201+88	21	37
22.8	12	1202+05	22	21

# STANDARD E&S WORKSHEET #1

## Compost Filter Socks

PROJECT NAME:	PENNEAST PIPELINE PROJECT	
LOCATION:	LUZERNE COUNTY	
PROJECT COMPONENT:	MAINLINE	
PREPARED BY:	KEK / JMB	DATE: 10/2019
CHECKED BY:	MDN	DATE: 10/2019

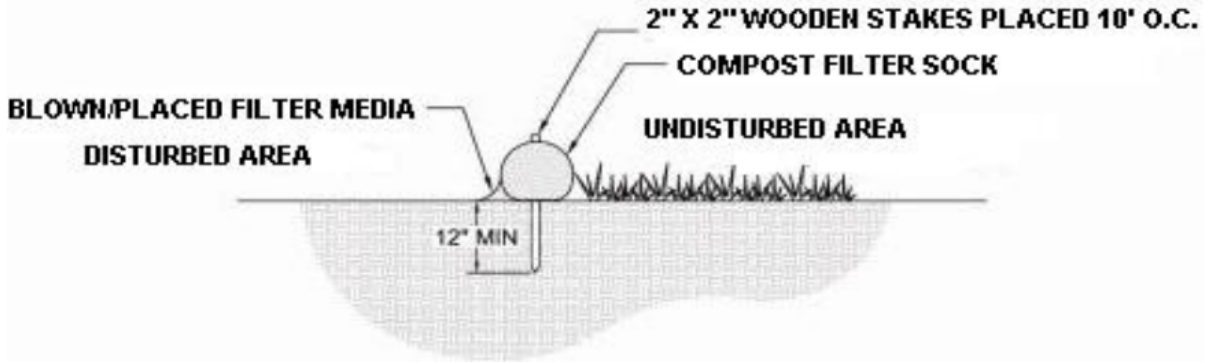


MILEPOST	DIAMETER (IN)	LOCATION	SLOPE PERCENT	SLOPE LENGTH ABOVE BARRIER (FT)
		APPROX. STATION		
22.8	12	1202+20	22	10
22.8	12	1202+46	31	33
22.8	12	1202+59	32	23
22.8	12	1202+76	33	10
22.8	12	1202+98	26	34
22.8	12	1203+12	26	23
22.8	12	1203+28	26	11
22.8	12	1204+44	8	43
22.8	12	1204+73	8	66
22.8	12	1204+91	9	82
22.8	12	1205+15	13	20
22.8	12	1205+32	14	36
22.8	12	1205+47	15	49
22.8	12	1205+63	17	64
22.8	12	1205+86	27	13
22.8	12	1206+00	27	27
22.8	12	1206+05	15	27
22.8	12	1206+06	15	35
22.8	12	1206+06	13	20
22.8	12	1206+13	28	39
22.8	12	1206+29	29	14
22.8	12	1206+43	29	27
22.9	12	1206+58	28	42
22.9	12	1211+22	27	14
22.9	12	1211+38	26	30
22.9	12	1211+53	26	45

# STANDARD E&S WORKSHEET #1

## Compost Filter Socks

PROJECT NAME:	PENNEAST PIPELINE PROJECT	
LOCATION:	LUZERNE COUNTY	
PROJECT COMPONENT:	MAINLINE	
PREPARED BY:	KEK / JMB	DATE: 10/2019
CHECKED BY:	MDN	DATE: 10/2019

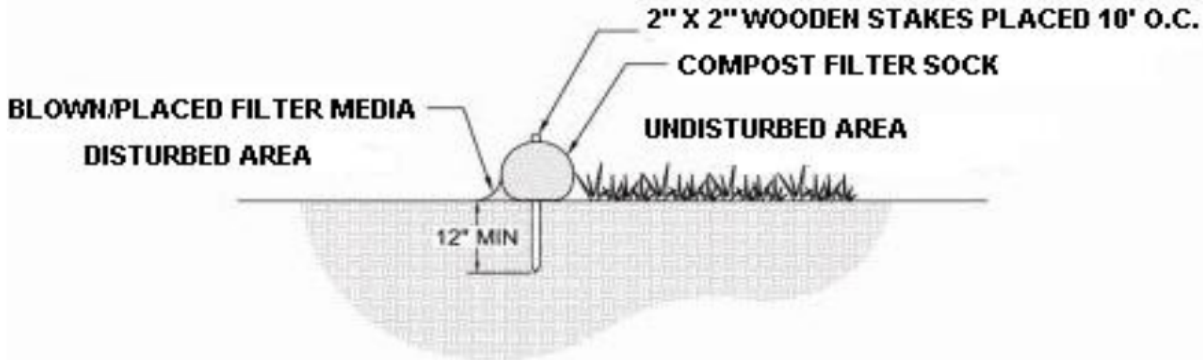


MILEPOST	DIAMETER (IN)	LOCATION	SLOPE PERCENT	SLOPE LENGTH ABOVE BARRIER (FT)
		APPROX. STATION		
22.9	12	1211+73	24	9
23.0	12	1211+88	22	21
23.0	12	1212+07	21	36
23.0	12	1212+24	21	49
23.0	12	1212+43	21	7
23.0	12	1212+62	19	18
23.0	12	1212+82	20	28
23.0	12	1212+97	21	36
23.0	12	1213+13	21	45
23.0	12	1213+83	21	14
23.0	12	1213+89	12	43
23.0	12	1214+12	19	22

# STANDARD E&S WORKSHEET #1

## Compost Filter Socks

PROJECT NAME:	PENNEAST PIPELINE PROJECT	
LOCATION:	LUZERNE COUNTY	
PROJECT COMPONENT:	ACCESS ROADS	
PREPARED BY:	KEK / JMB	DATE: 10/2019
CHECKED BY:	MDN	DATE: 10/2019

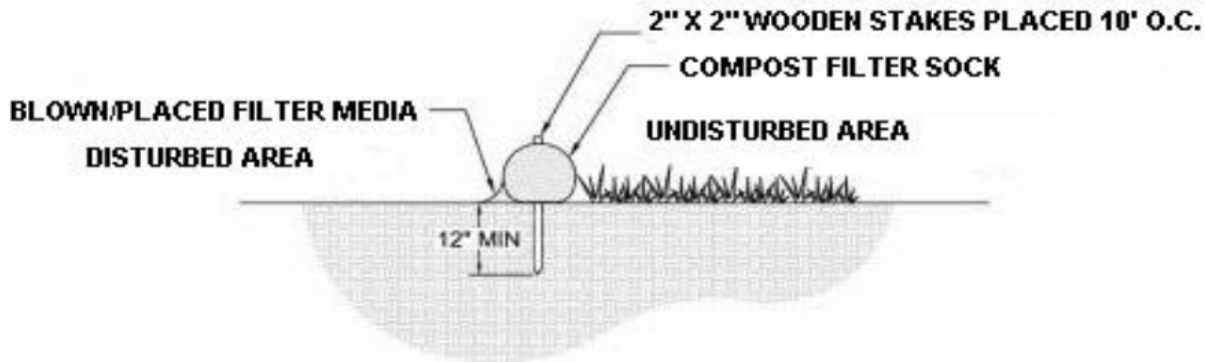


MILEPOST	ACCESS ROAD	DIAMETER (IN)	LOCATION	SLOPE PERCENT	SLOPE LENGTH ABOVE BARRIER (FT)
			APPROX. STATION		
7.1	AR-006A	12	375+21	0	36
7.1	AR-006A	12	375+21	8	36
7.1	AR-006A	12	375+38	1	36
7.1	AR-006A	12	375+39	0	36
7.1	AR-006A	12	375+43	7	43
7.1	AR-006A	12	375+51	9	43
7.1	AR-006A	12	375+53	0	44
7.1	AR-006A	12	375+69	2	43
7.1	AR-006A	12	375+70	4	36
7.1	AR-006A	12	375+72	0	36
7.1	AR-006A	12	375+83	0	43
7.1	AR-006A	12	375+99	0	36
7.1	AR-006A	12	376+00	3	43
7.1	AR-006A	12	376+27	0	43
8.2R2	AR-008	24	431+15	15	215
8.2R2	AR-008	32	431+61	12	278
8.2R2	AR-008	18	431+79	11	153
8.2R2	AR-008	32	431+99	11	328
8.2R2	AR-008	32" DURASOXX	432+49	11	353
9.6R2	AR-015	12	506+72	18	55
9.6R2	AR-015	12	506+84	21	30
9.6R2	AR-015A	12	506+85	14	81
9.6R2	AR-015	12	506+88	21	26
9.6R2	AR-015	18	506+93	10	185
9.6R2	AR-015	18	507+01	9	176
9.6R2	AR-015A	12	507+05	13	96

# STANDARD E&S WORKSHEET #1

## Compost Filter Socks

PROJECT NAME:	PENNEAST PIPELINE PROJECT		
LOCATION:	LUZERNE COUNTY		
PROJECT COMPONENT:	ACCESS ROADS		
PREPARED BY:	KEK / JMB	DATE:	10/2019
CHECKED BY:	MDN	DATE:	10/2019

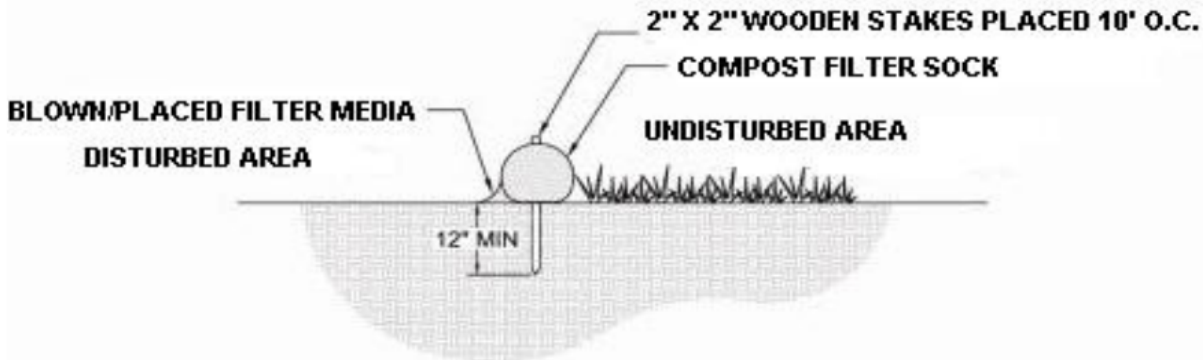


MILEPOST	ACCESS ROAD	DIAMETER (IN)	LOCATION	SLOPE PERCENT	SLOPE LENGTH ABOVE BARRIER (FT)
			APPROX. STATION		
9.6R2	AR-015	18	507+10	9	165
9.6R2	AR-015	18	507+18	9	158
9.6R2	AR-015A	32	508+48	11	283
9.6R2	AR-015A	32	508+60	12	293
9.6R2	AR-015A	32" DURASOXX	509+57	36	99
9.6R2	AR-015A	32	509+65	35	98
9.7R2	AR-015A	32" DURASOXX	510+11	29	139
9.7R2	AR-015A	32" DURASOXX	510+19	29	149
10.3R2	AR-015CN	18	542+15	24	78
10.3R2	AR-015CN	18	542+25	26	52
10.3R2	AR-015CN	12	542+39	23	32
13.1	AR-028	12	691+69	5	135
13.1	AR-028	12	692+10	5	143
13.1	AR-028	12	693+33	5	183
13.2	AR-028	12	696+31	9	50
16.6	AR-031B	12	878+21	4	150
16.6	AR-031B	12	878+24	4	102
22.5	AR-033A	32" DURASOXX	1187+63	29	189
22.5	AR-033A	32" DURASOXX	1187+68	28	178
22.5	AR-033A	32" DURASOXX	1187+70	24	227
22.5	AR-033A	32" DURASOXX	1187+75	23	226
22.5	AR-033A	32	1187+89	25	170
22.7	AR-033A	32" DURASOXX	1197+24	25	550
22.7	AR-033A	32" DURASOXX	1197+52	26	512
22.7	AR-033A	32" DURASOXX	1197+67	24	541
22.7	AR-033A	32" DURASOXX	1197+88	23	581

# STANDARD E&S WORKSHEET #1

## Compost Filter Socks

PROJECT NAME:	PENNEAST PIPELINE PROJECT		
LOCATION:	LUZERNE COUNTY		
PROJECT COMPONENT:	ACCESS ROADS		
PREPARED BY:	KEK / JMB	DATE:	10/2019
CHECKED BY:	MDN	DATE:	10/2019

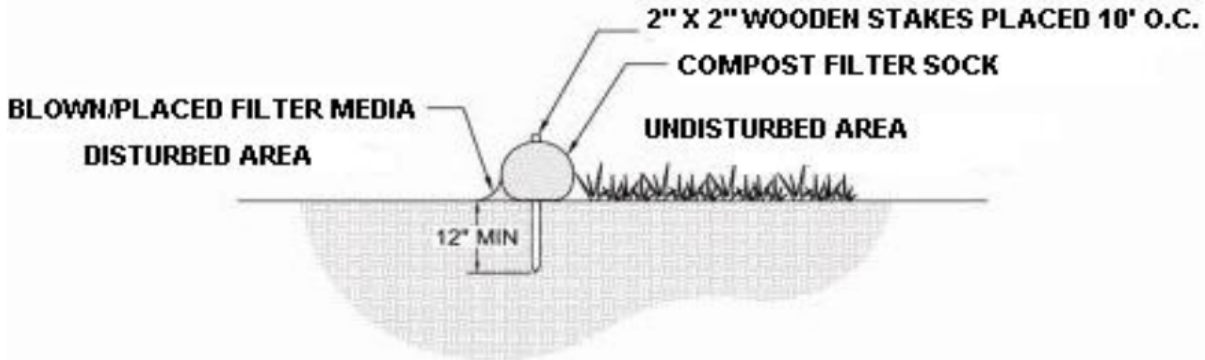


MILEPOST	ACCESS ROAD	DIAMETER (IN)	LOCATION	SLOPE PERCENT	SLOPE LENGTH ABOVE BARRIER (FT)
			APPROX. STATION		
22.7	AR-033A	32" DURASOXX	1198+21	24	491
22.7	AR-033A	32" DURASOXX	1198+75	22	544
22.8	AR-033B	12	1204+09	8	131
22.8	AR-033B	12	1204+24	10	111
22.8	AR-033B	18	1204+42	11	107
22.9	AR-033B	32" DURASOXX	1209+33	24	351
22.9	AR-033B	32" DURASOXX	1209+38	24	353
22.9	AR-033B	32" DURASOXX	1209+47	24	353
22.9	AR-033B	32" DURASOXX	1209+60	23	388
22.9	AR-033B	32" DURASOXX	1209+76	22	410
22.9	AR-033B	18	1209+87	17	139
22.9	AR-033B	24	1209+99	19	181
22.9	AR-033B	32	1210+09	20	219
22.9	AR-033B	32	1210+20	20	229
22.9	AR-033B	32" DURASOXX	1210+22	21	488
22.9	AR-033B	32" DURASOXX	1210+36	20	254
22.9	AR-033B	32" DURASOXX	1210+47	21	519
22.9	AR-033B	32" DURASOXX	1210+47	21	281
22.9	AR-033B	32" DURASOXX	1210+53	21	503
22.9	AR-033B	32" DURASOXX	1210+60	21	303
22.9	AR-033B	32" DURASOXX	1210+63	20	540
22.9	AR-033B	32" DURASOXX	1210+73	21	332
22.9	AR-033B	32" DURASOXX	1210+77	19	533
22.9	AR-033B	32" DURASOXX	1210+80	19	525
22.9	AR-033B	32" DURASOXX	1210+85	22	518
22.9	AR-033B	32" DURASOXX	1210+85	19	528

# STANDARD E&S WORKSHEET #1

## Compost Filter Socks

PROJECT NAME:	PENNEAST PIPELINE PROJECT		
LOCATION:	LUZERNE COUNTY		
PROJECT COMPONENT:	ACCESS ROADS		
PREPARED BY:	KEK / JMB	DATE:	10/2019
CHECKED BY:	MDN	DATE:	10/2019



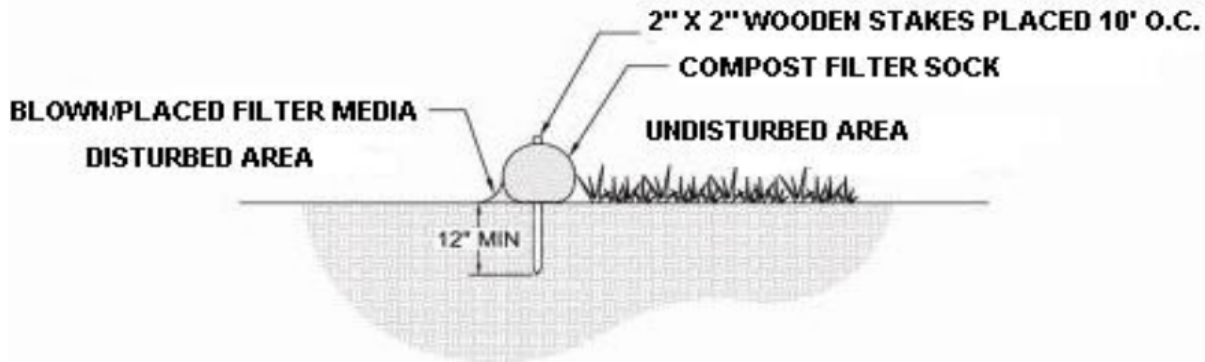
MILEPOST	ACCESS ROAD	DIAMETER (IN)	LOCATION	SLOPE PERCENT	SLOPE LENGTH ABOVE BARRIER (FT)
			APPROX. STATION		
22.9	AR-033B	32" DURASOXX	1210+92	19	528
22.9	AR-033B	32" DURASOXX	1210+98	22	379
22.9	AR-033B	32" DURASOXX	1211+10	23	552
22.9	AR-033B	32" DURASOXX	1211+20	19	518
22.9	AR-033B	32" DURASOXX	1211+25	23	569
22.9	AR-033B	32" DURASOXX	1211+40	23	577
22.9	AR-033B	32" DURASOXX	1211+54	24	493
22.9	AR-033B	32" DURASOXX	1211+67	23	608
23.0	AR-033B	32" DURASOXX	1211+82	23	650
23.0	AR-033B	32" DURASOXX	1211+95	23	650
23.0	AR-033B	32" DURASOXX	1212+06	23	657
23.0	AR-033B	32" DURASOXX	1212+17	22	673



# STANDARD E&S WORKSHEET #1

## Compost Filter Socks

PROJECT NAME:	PENNEAST PIPELINE PROJECT		
LOCATION:	LUZERNE COUNTY		
PROJECT COMPONENT:	CONTRACTOR YARDS		
PREPARED BY:	KEK / JMB	DATE:	10/2019
CHECKED BY:	MDN	DATE:	10/2019

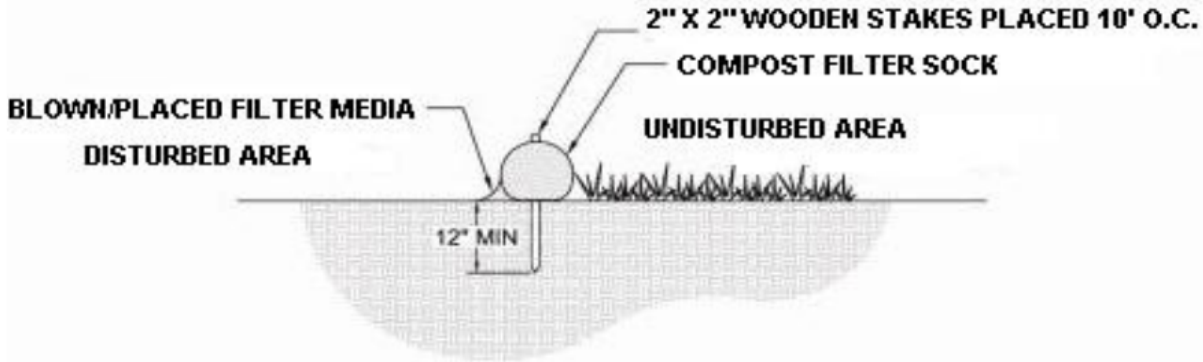


MILEPOST	CONTRACTOR YARD	DIAMETER (IN)	LOCATION	SLOPE PERCENT	SLOPE LENGTH ABOVE BARRIER (FT)
			APPROX. STATION		
5.8	PE-A-06	12	306+52	13	53
5.8	PE-A-07	12	306+71	2	76
5.8	PE-A-07	12	306+85	4	90
5.9	PE-A-07	12	312+57	6	15
5.9	PE-A-07	12	313+26	7	43
5.9	PE-A-07	12	313+26	11	75
5.9	PE-A-07	12	313+26	4	9
5.9	PE-A-07	12	313+52	7	66
6.0	PE-A-08	12	316+08	2	27
6.0	PE-A-08	12	316+08	2	10
6.0	PE-A-08	12	316+08	7	25
6.0	PE-A-08	12	316+08	11	40
6.0	PE-A-08	12	316+08	3	29
6.0	PE-A-08	12	316+08	5	47
6.0	PE-A-08	12	316+08	7	64
6.0	PE-A-08	12	316+08	8	74
6.0	PE-A-08	12	316+12	13	52
6.0	PE-A-08	12	316+27	16	62
6.0	PE-A-08	18	316+43	17	74
6.0	PE-A-08	12	316+56	11	39
6.0	PE-A-08	12	316+72	11	29

# STANDARD E&S WORKSHEET #1

## Compost Filter Socks

PROJECT NAME:	PENNEAST PIPELINE PROJECT		
LOCATION:	LUZERNE COUNTY		
PROJECT COMPONENT:	STAGING AREAS		
PREPARED BY:	KEK / JMB	DATE:	10/2019
CHECKED BY:	MDN	DATE:	10/2019



MILEPOST	STAGING AREA	DIAMETER (IN)	LOCATION	SLOPE PERCENT	SLOPE LENGTH ABOVE BARRIER (FT)
			APPROX. STATION		
21.7	PE-STA-B-03	12	1146+69	8	14
21.7	PE-STA-B-03	12	1146+91	8	26
21.7	PE-STA-B-03	12	1147+36	7	50
21.7	PE-STA-B-03	12	1147+95	6	84
21.7	PE-STA-B-03	12	1148+37	6	105
21.8	PE-STA-B-03	12	1148+53	6	105
21.8	PE-STA-B-03	12	1148+83	5	89
21.8	PE-STA-B-03	12	1148+98	5	85
21.8	PE-STA-B-03	12	1149+44	5	73
21.8	PE-STA-B-03	12	1149+92	5	76