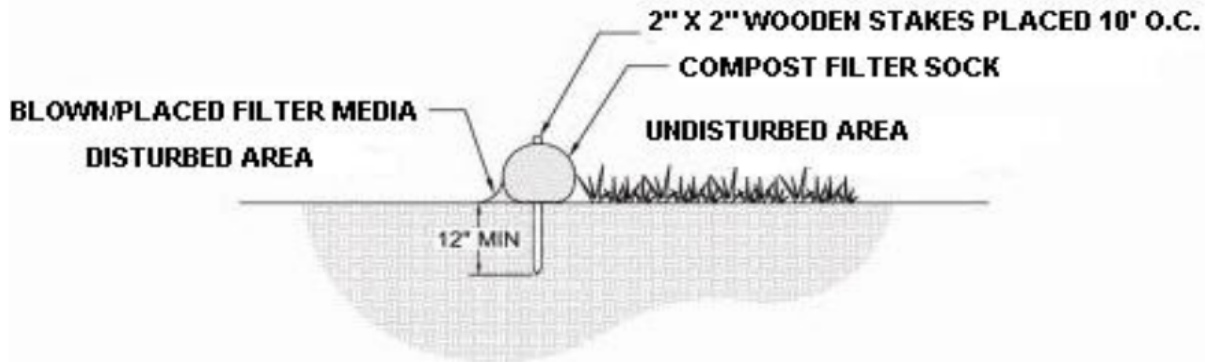


Appendix 1B
Carbon County

STANDARD E&S WORKSHEET #1

Compost Filter Socks

| | | |
|--------------------|---------------------------|---------------|
| PROJECT NAME: | PENNEAST PIPELINE PROJECT | |
| LOCATION: | CARBON COUNTY | |
| PROJECT COMPONENT: | MAINLINE | |
| PREPARED BY: | KEK / JMB | DATE: 10/2019 |
| CHECKED BY: | MDN | DATE: 10/2019 |

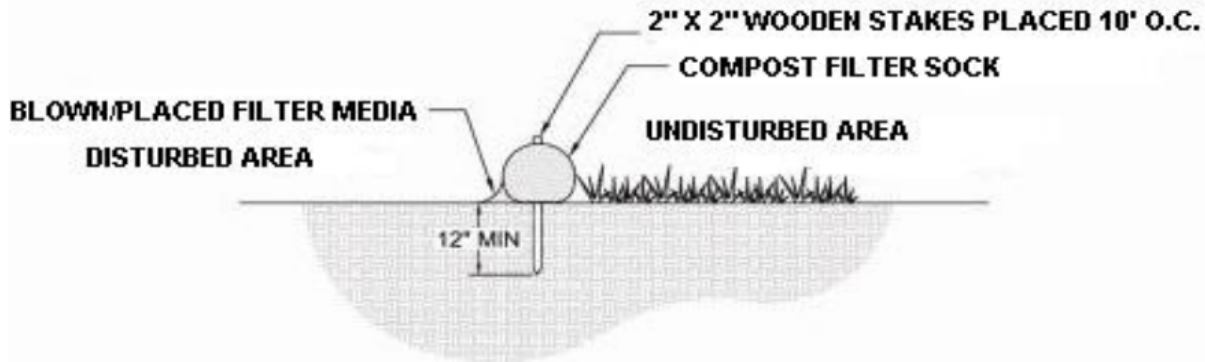


| MILEPOST | DIAMETER (IN) | LOCATION | SLOPE PERCENT | SLOPE LENGTH ABOVE BARRIER (FT) |
|----------|---------------|-----------------|---------------|---------------------------------|
| | | APPROX. STATION | | |
| 23.1 | 32 | 1218+28 | 47 | 44 |
| 23.1 | 32 | 1218+32 | 46 | 42 |
| 23.1 | 18 | 1218+45 | 42 | 36 |
| 23.1 | 12 | 1218+53 | 40 | 34 |
| 23.1 | 12 | 1218+69 | 37 | 30 |
| 23.1 | 12 | 1218+81 | 38 | 21 |
| 23.1 | 12 | 1218+95 | 37 | 8 |
| 23.1 | 32" DURASOXX | 1219+12 | 53 | 23 |
| 23.1 | 32" DURASOXX | 1219+26 | 53 | 11 |
| 23.1 | 32" DURASOXX | 1219+39 | 54 | 9 |
| 23.2 | 18 | 1223+46 | 19 | 117 |
| 23.2 | 18 | 1223+91 | 18 | 100 |
| 23.2 | 18 | 1224+14 | 17 | 81 |
| 23.2 | 12 | 1224+38 | 16 | 60 |
| 23.2 | 18 | 1224+47 | 17 | 102 |
| 23.2 | 12 | 1224+49 | 16 | 60 |
| 23.2 | 12 | 1224+49 | 16 | 68 |
| 23.2 | 18 | 1224+49 | 17 | 78 |
| 23.2 | 18 | 1224+49 | 18 | 87 |
| 23.2 | 18 | 1224+49 | 18 | 94 |
| 23.2 | 18 | 1224+64 | 17 | 90 |
| 23.2 | 18 | 1224+77 | 17 | 79 |
| 23.2 | 12 | 1225+00 | 17 | 60 |
| 23.2 | 12 | 1225+23 | 16 | 39 |
| 23.2 | 12 | 1225+46 | 14 | 19 |
| 23.2 | 12 | 1225+87 | 10 | 92 |

STANDARD E&S WORKSHEET #1

Compost Filter Socks

| | | |
|--------------------|---------------------------|---------------|
| PROJECT NAME: | PENNEAST PIPELINE PROJECT | |
| LOCATION: | CARBON COUNTY | |
| PROJECT COMPONENT: | MAINLINE | |
| PREPARED BY: | KEK / JMB | DATE: 10/2019 |
| CHECKED BY: | MDN | DATE: 10/2019 |

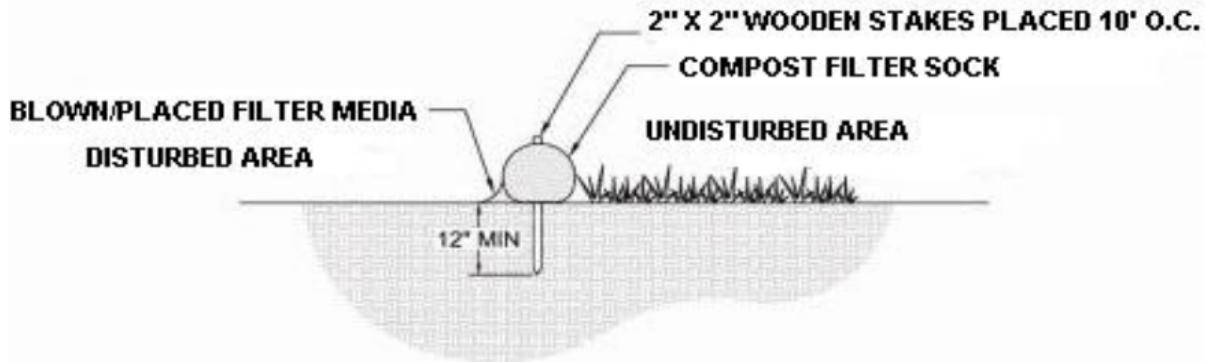


| MILEPOST | DIAMETER (IN) | LOCATION | SLOPE PERCENT | SLOPE LENGTH ABOVE BARRIER (FT) |
|----------|---------------|-----------------|---------------|---------------------------------|
| | | APPROX. STATION | | |
| 23.2 | 12 | 1226+11 | 10 | 74 |
| 23.2 | 12 | 1226+39 | 9 | 54 |
| 23.2 | 12 | 1226+69 | 9 | 31 |
| 23.2 | 12 | 1226+98 | 11 | 9 |
| 23.2 | 12 | 1227+28 | 7 | 63 |
| 23.2 | 12 | 1227+43 | 7 | 49 |
| 23.3 | 12 | 1227+95 | 13 | 42 |
| 23.3 | 12 | 1228+15 | 10 | 40 |
| 23.3 | 12 | 1228+65 | 9 | 21 |
| 23.3 | 12 | 1230+67 | 6 | 145 |
| 23.3 | 12 | 1231+18 | 7 | 106 |
| 23.3 | 12 | 1231+74 | 8 | 58 |
| 23.3 | 12 | 1232+02 | 9 | 30 |
| 23.3 | 12 | 1232+24 | 9 | 7 |
| 23.3 | 12 | 1232+48 | 9 | 131 |
| 23.3 | 12 | 1232+71 | 9 | 112 |
| 23.4 | 12 | 1233+00 | 9 | 89 |
| 23.4 | 12 | 1233+31 | 9 | 65 |
| 23.4 | 12 | 1233+62 | 9 | 41 |
| 23.4 | 12 | 1233+89 | 9 | 20 |
| 23.4 | 18 | 1234+39 | 11 | 128 |
| 23.4 | 12 | 1235+04 | 11 | 99 |
| 23.4 | 12 | 1235+78 | 15 | 99 |
| 23.4 | 18 | 1236+15 | 17 | 105 |
| 23.4 | 18 | 1236+27 | 17 | 106 |
| 23.4 | 12 | 1236+46 | 12 | 92 |

STANDARD E&S WORKSHEET #1

Compost Filter Socks

| | | | |
|--------------------|---------------------------|-------|---------|
| PROJECT NAME: | PENNEAST PIPELINE PROJECT | | |
| LOCATION: | CARBON COUNTY | | |
| PROJECT COMPONENT: | MAINLINE | | |
| PREPARED BY: | KEK / JMB | DATE: | 10/2019 |
| CHECKED BY: | MDN | DATE: | 10/2019 |

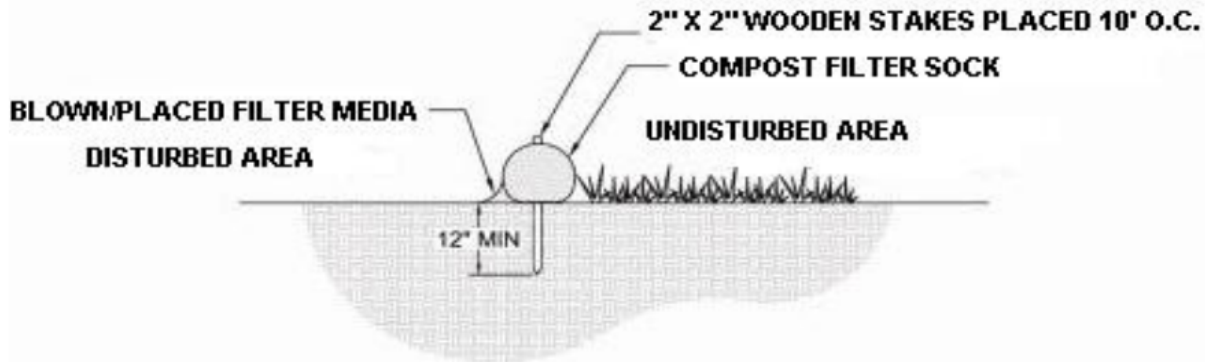


| MILEPOST | DIAMETER (IN) | LOCATION | SLOPE PERCENT | SLOPE LENGTH ABOVE BARRIER (FT) |
|----------|---------------|-----------------|---------------|---------------------------------|
| | | APPROX. STATION | | |
| 23.4 | 12 | 1236+72 | 11 | 67 |
| 23.4 | 12 | 1236+90 | 11 | 48 |
| 23.4 | 12 | 1237+26 | 10 | 13 |
| 23.4 | 18 | 1237+61 | 13 | 169 |
| 23.4 | 18 | 1237+80 | 12 | 169 |
| 23.4 | 18 | 1237+96 | 12 | 157 |
| 23.5 | 18 | 1238+20 | 13 | 127 |
| 23.5 | 18 | 1239+43 | 15 | 103 |
| 23.5 | 12 | 1241+95 | 15 | 99 |
| 23.6 | 12 | 1244+28 | 9 | 65 |
| 23.6 | 12 | 1244+87 | 9 | 21 |
| 23.6 | 12 | 1245+36 | 14 | 42 |
| 23.6 | 12 | 1245+56 | 15 | 25 |
| 23.6 | 12 | 1245+72 | 16 | 12 |
| 23.6 | 12 | 1245+94 | 14 | 60 |
| 23.6 | 12 | 1246+11 | 14 | 42 |
| 23.6 | 12 | 1246+33 | 13 | 20 |
| 23.6 | 18 | 1246+68 | 18 | 99 |
| 23.6 | 18 | 1246+85 | 18 | 82 |
| 23.6 | 12 | 1247+07 | 19 | 62 |
| 23.6 | 12 | 1247+24 | 19 | 46 |
| 23.6 | 12 | 1247+40 | 19 | 31 |
| 23.6 | 12 | 1247+58 | 19 | 14 |
| 23.6 | 18 | 1247+82 | 23 | 95 |
| 23.6 | 18 | 1248+00 | 23 | 82 |
| 23.6 | 18 | 1248+18 | 24 | 67 |

STANDARD E&S WORKSHEET #1

Compost Filter Socks

| | | | |
|--------------------|---------------------------|-------|---------|
| PROJECT NAME: | PENNEAST PIPELINE PROJECT | | |
| LOCATION: | CARBON COUNTY | | |
| PROJECT COMPONENT: | MAINLINE | | |
| PREPARED BY: | KEK / JMB | DATE: | 10/2019 |
| CHECKED BY: | MDN | DATE: | 10/2019 |

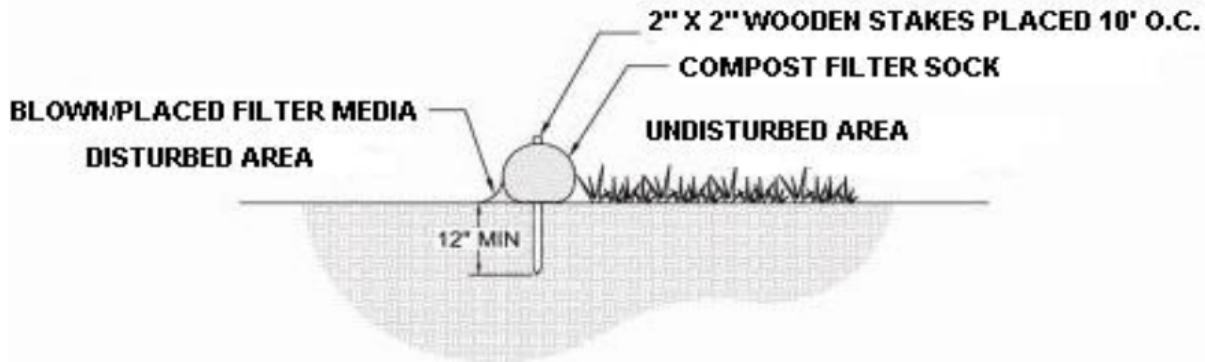


| MILEPOST | DIAMETER (IN) | LOCATION | SLOPE PERCENT | SLOPE LENGTH ABOVE BARRIER (FT) |
|----------|---------------|-----------------|---------------|---------------------------------|
| | | APPROX. STATION | | |
| 23.6 | 18 | 1248+56 | 31 | 40 |
| 23.6 | 12 | 1248+71 | 30 | 27 |
| 23.7 | 12 | 1248+88 | 28 | 13 |
| 23.7 | 18 | 1249+15 | 29 | 67 |
| 23.7 | 18 | 1249+34 | 29 | 54 |
| 23.7 | 12 | 1249+58 | 30 | 38 |
| 23.7 | 12 | 1249+75 | 30 | 28 |
| 23.7 | 12 | 1249+97 | 34 | 13 |
| 23.7 | 24 | 1250+29 | 34 | 79 |
| 23.7 | 24 | 1250+47 | 35 | 66 |
| 23.7 | 18 | 1250+65 | 34 | 56 |
| 23.7 | 18 | 1250+84 | 33 | 44 |
| 23.7 | 12 | 1250+99 | 32 | 36 |
| 23.7 | 12 | 1251+15 | 30 | 28 |
| 23.7 | 12 | 1251+30 | 30 | 21 |
| 23.7 | 12 | 1251+48 | 25 | 13 |
| 23.7 | 18 | 1251+88 | 20 | 104 |
| 23.7 | 18 | 1252+05 | 20 | 107 |
| 23.7 | 18 | 1252+21 | 20 | 105 |
| 23.7 | 18 | 1252+56 | 19 | 97 |
| 23.7 | 18 | 1253+11 | 18 | 100 |
| 23.7 | 18 | 1253+51 | 19 | 103 |
| 23.7 | 24 | 1253+71 | 21 | 103 |
| 23.7 | 24 | 1253+84 | 22 | 104 |
| 23.8 | 24 | 1254+00 | 23 | 106 |
| 23.8 | 24 | 1254+15 | 25 | 106 |

STANDARD E&S WORKSHEET #1

Compost Filter Socks

| | | |
|--------------------|---------------------------|---------------|
| PROJECT NAME: | PENNEAST PIPELINE PROJECT | |
| LOCATION: | CARBON COUNTY | |
| PROJECT COMPONENT: | MAINLINE | |
| PREPARED BY: | KEK / JMB | DATE: 10/2019 |
| CHECKED BY: | MDN | DATE: 10/2019 |

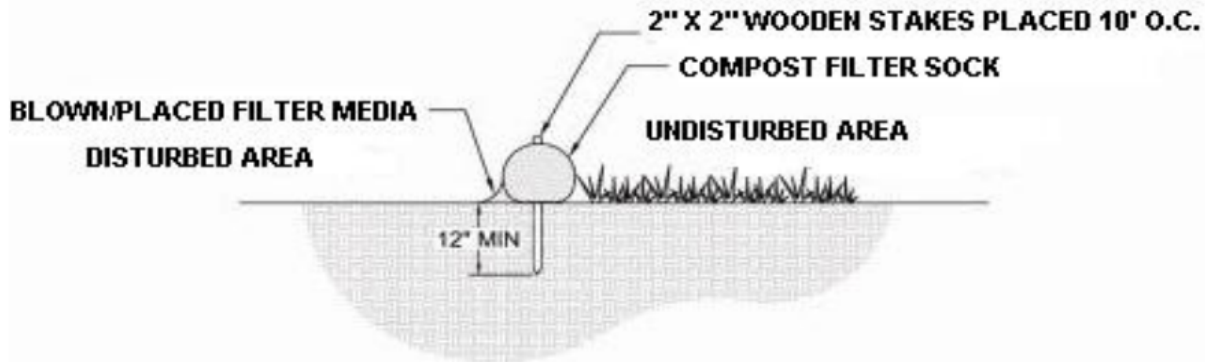


| MILEPOST | DIAMETER (IN) | LOCATION | SLOPE PERCENT | SLOPE LENGTH ABOVE BARRIER (FT) |
|----------|---------------|-----------------|---------------|---------------------------------|
| | | APPROX. STATION | | |
| 23.8 | 32 | 1254+33 | 26 | 108 |
| 23.8 | 32 | 1254+50 | 26 | 111 |
| 23.8 | 32 | 1254+77 | 26 | 114 |
| 23.8 | 24 | 1255+15 | 24 | 113 |
| 23.8 | 24 | 1255+42 | 21 | 115 |
| 23.8 | 18 | 1257+25 | 11 | 117 |
| 23.8 | 18 | 1258+21 | 13 | 104 |
| 23.8 | 18 | 1258+60 | 14 | 104 |
| 23.8 | 18 | 1258+89 | 14 | 101 |
| 23.8 | 18 | 1259+15 | 15 | 102 |
| 23.9 | 18 | 1259+41 | 16 | 99 |
| 23.9 | 18 | 1259+60 | 16 | 103 |
| 23.9 | 18 | 1259+93 | 17 | 99 |
| 23.9 | 18 | 1260+19 | 17 | 101 |
| 23.9 | 18 | 1260+43 | 17 | 99 |
| 23.9 | 18 | 1260+62 | 16 | 102 |
| 23.9 | 18 | 1260+92 | 16 | 103 |
| 23.9 | 18 | 1261+26 | 16 | 105 |
| 23.9 | 18 | 1261+84 | 14 | 109 |
| 23.9 | 12 | 1262+41 | 12 | 98 |
| 23.9 | 12 | 1263+23 | 7 | 100 |
| 23.9 | 12 | 1263+73 | 6 | 98 |
| 23.9 | 12 | 1264+46 | 17 | 24 |
| 24.0 | 12 | 1264+61 | 17 | 38 |
| 24.0 | 12 | 1264+89 | 18 | 60 |
| 24.0 | 18 | 1265+09 | 21 | 78 |

STANDARD E&S WORKSHEET #1

Compost Filter Socks

| | | | |
|--------------------|---------------------------|-------|---------|
| PROJECT NAME: | PENNEAST PIPELINE PROJECT | | |
| LOCATION: | CARBON COUNTY | | |
| PROJECT COMPONENT: | MAINLINE | | |
| PREPARED BY: | KEK / JMB | DATE: | 10/2019 |
| CHECKED BY: | MDN | DATE: | 10/2019 |

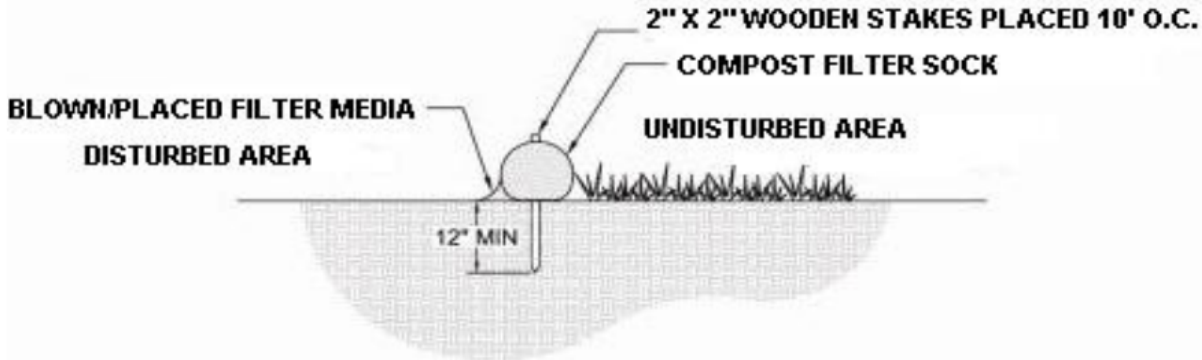


| MILEPOST | DIAMETER (IN) | LOCATION | SLOPE PERCENT | SLOPE LENGTH ABOVE BARRIER (FT) |
|----------|---------------|-----------------|---------------|---------------------------------|
| | | APPROX. STATION | | |
| 24.0 | 12 | 1265+28 | 35 | 12 |
| 24.0 | 12 | 1265+43 | 35 | 25 |
| 24.1 | 12 | 1271+42 | 2 | 80 |
| 24.1 | 12 | 1271+52 | 3 | 57 |
| 24.1 | 12 | 1273+95 | 4 | 140 |
| 24.1 | 12 | 1275+11 | 0 | 77 |
| 24.2 | 12 | 1275+34 | 0 | 80 |
| 24.2 | 12 | 1275+54 | 0 | 80 |
| 24.2 | 12 | 1275+62 | 1 | 74 |
| 24.2 | 12 | 1275+77 | 1 | 73 |
| 24.2 | 12 | 1276+47 | 1 | 79 |
| 24.2 | 12 | 1277+22 | 2 | 49 |
| 24.3 | 12 | 1280+67 | 1 | 81 |
| 24.3 | 12 | 1281+62 | 2 | 91 |
| 24.3 | 12 | 1283+68 | 1 | 51 |
| 24.3 | 12 | 1284+32 | 1 | 100 |
| 24.4 | 12 | 1286+16 | 3 | 86 |
| 24.4 | 12 | 1287+13 | 3 | 153 |
| 24.4 | 12 | 1287+42 | 3 | 166 |
| 24.4 | 12 | 1287+96 | 4 | 30 |
| 24.4 | 12 | 1290+43 | 5 | 95 |
| 24.4 | 12 | 1290+85 | 5 | 28 |
| 24.5 | 12 | 1291+29 | 6 | 64 |
| 24.5 | 12 | 1291+68 | 6 | 93 |
| 24.5 | 12 | 1292+20 | 6 | 133 |
| 24.5 | 12 | 1292+39 | 6 | 144 |

STANDARD E&S WORKSHEET #1

Compost Filter Socks

| | | | |
|--------------------|---------------------------|-------|---------|
| PROJECT NAME: | PENNEAST PIPELINE PROJECT | | |
| LOCATION: | CARBON COUNTY | | |
| PROJECT COMPONENT: | MAINLINE | | |
| PREPARED BY: | KEK / JMB | DATE: | 10/2019 |
| CHECKED BY: | MDN | DATE: | 10/2019 |

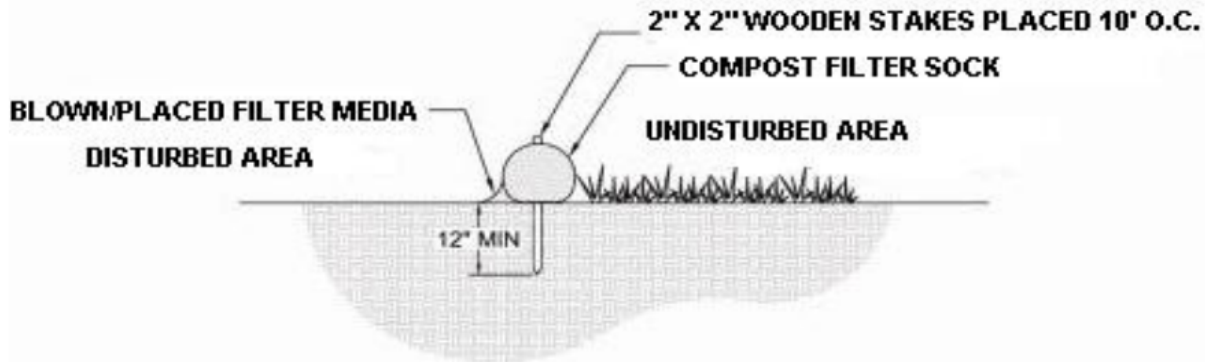


| MILEPOST | DIAMETER (IN) | LOCATION | SLOPE PERCENT | SLOPE LENGTH ABOVE BARRIER (FT) |
|----------|---------------|-----------------|---------------|---------------------------------|
| | | APPROX. STATION | | |
| 24.5 | 12 | 1292+65 | 7 | 17 |
| 24.5 | 12 | 1292+90 | 7 | 41 |
| 24.5 | 12 | 1293+16 | 8 | 66 |
| 24.5 | 12 | 1293+33 | 11 | 56 |
| 24.5 | 12 | 1293+33 | 10 | 63 |
| 24.5 | 12 | 1293+34 | 9 | 83 |
| 24.5 | 12 | 1293+53 | 9 | 101 |
| 24.5 | 12 | 1293+72 | 10 | 119 |
| 24.5 | 12 | 1294+91 | 1 | 145 |
| 24.6 | 12 | 1299+10 | 5 | 130 |
| 24.6 | 12 | 1299+29 | 5 | 109 |
| 24.6 | 12 | 1299+36 | 3 | 112 |
| 24.6 | 12 | 1299+52 | 5 | 83 |
| 24.6 | 12 | 1299+68 | 2 | 82 |
| 24.6 | 12 | 1299+76 | 5 | 59 |
| 24.6 | 12 | 1299+97 | 2 | 55 |
| 24.6 | 12 | 1299+99 | 5 | 33 |
| 24.6 | 12 | 1300+26 | 2 | 26 |
| 24.6 | 12 | 1300+72 | 6 | 125 |
| 24.6 | 12 | 1301+00 | 6 | 99 |
| 24.6 | 12 | 1301+26 | 7 | 75 |
| 24.6 | 12 | 1301+52 | 7 | 51 |
| 24.7 | 12 | 1301+76 | 8 | 29 |
| 24.7 | 12 | 1302+35 | 7 | 113 |
| 24.7 | 12 | 1302+58 | 7 | 92 |
| 24.7 | 12 | 1302+84 | 7 | 66 |

STANDARD E&S WORKSHEET #1

Compost Filter Socks

| | | |
|--------------------|---------------------------|---------------|
| PROJECT NAME: | PENNEAST PIPELINE PROJECT | |
| LOCATION: | CARBON COUNTY | |
| PROJECT COMPONENT: | MAINLINE | |
| PREPARED BY: | KEK / JMB | DATE: 10/2019 |
| CHECKED BY: | MDN | DATE: 10/2019 |

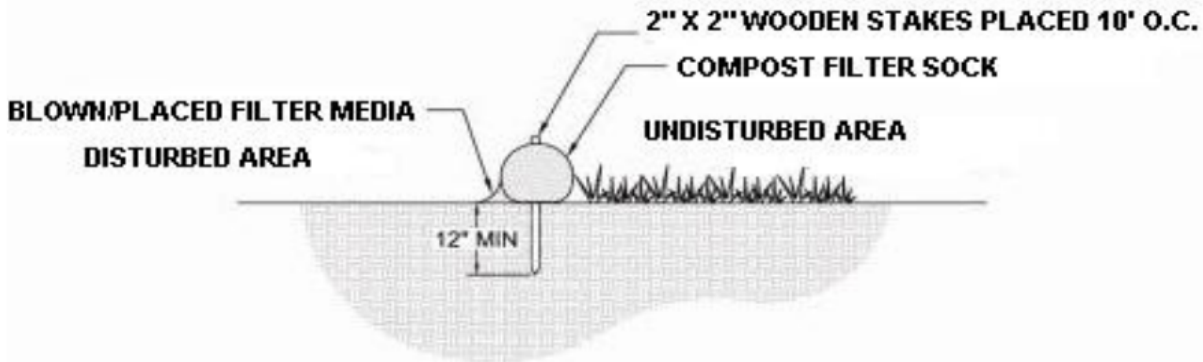


| MILEPOST | DIAMETER (IN) | LOCATION | SLOPE PERCENT | SLOPE LENGTH ABOVE BARRIER (FT) |
|----------|---------------|-----------------|---------------|---------------------------------|
| | | APPROX. STATION | | |
| 24.7 | 12 | 1303+12 | 7 | 40 |
| 24.7 | 12 | 1303+70 | 5 | 127 |
| 24.7 | 12 | 1303+99 | 5 | 98 |
| 24.7 | 12 | 1304+33 | 5 | 64 |
| 24.7 | 12 | 1304+64 | 6 | 34 |
| 24.7 | 12 | 1305+45 | 3 | 202 |
| 24.7 | 12 | 1305+74 | 3 | 173 |
| 24.7 | 12 | 1306+03 | 3 | 144 |
| 24.7 | 12 | 1306+34 | 3 | 113 |
| 24.7 | 12 | 1306+56 | 3 | 91 |
| 24.8 | 12 | 1307+67 | 3 | 102 |
| 24.8 | 12 | 1309+01 | 2 | 81 |
| 24.8 | 12 | 1309+99 | 7 | 39 |
| 24.8 | 12 | 1311+11 | 6 | 79 |
| 24.8 | 12 | 1311+37 | 6 | 67 |
| 24.8 | 12 | 1311+59 | 6 | 54 |
| 24.8 | 12 | 1312+04 | 6 | 22 |
| 24.9 | 12 | 1312+81 | 5 | 67 |
| 24.9 | 12 | 1314+13 | 4 | 72 |
| 24.9 | 12 | 1314+73 | 5 | 42 |
| 24.9 | 12 | 1315+62 | 3 | 138 |
| 24.9 | 12 | 1315+92 | 3 | 91 |
| 25.0 | 12 | 1321+86 | 5 | 67 |
| 25.1 | 18 | 1322+77 | 3 | 291 |
| 25.1 | 18 | 1326+73 | 6 | 234 |
| 25.1 | 12 | 1327+11 | 13 | 25 |

STANDARD E&S WORKSHEET #1

Compost Filter Socks

| | | |
|--------------------|---------------------------|---------------|
| PROJECT NAME: | PENNEAST PIPELINE PROJECT | |
| LOCATION: | CARBON COUNTY | |
| PROJECT COMPONENT: | MAINLINE | |
| PREPARED BY: | KEK / JMB | DATE: 10/2019 |
| CHECKED BY: | MDN | DATE: 10/2019 |

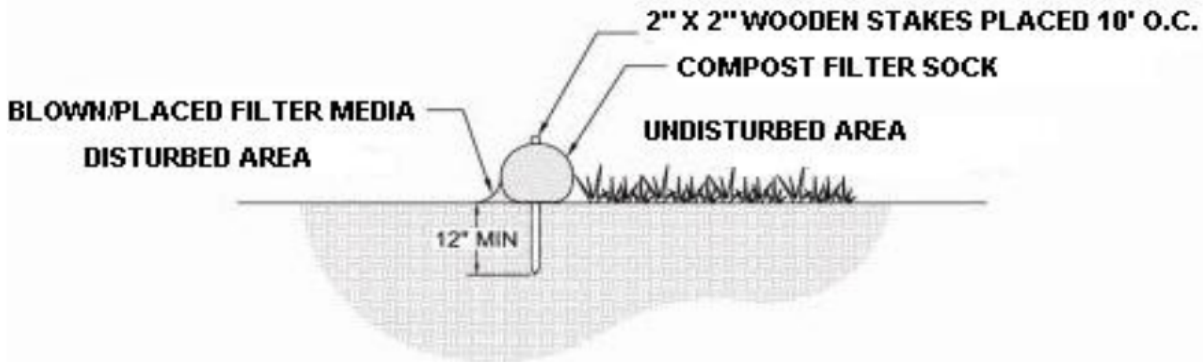


| MILEPOST | DIAMETER (IN) | LOCATION | SLOPE PERCENT | SLOPE LENGTH ABOVE BARRIER (FT) |
|----------|---------------|-----------------|---------------|---------------------------------|
| | | APPROX. STATION | | |
| 25.1 | 12 | 1327+33 | 12 | 43 |
| 25.1 | 12 | 1327+53 | 12 | 60 |
| 25.1 | 12 | 1327+71 | 12 | 76 |
| 25.1 | 12 | 1327+91 | 12 | 93 |
| 25.2 | 18 | 1328+11 | 11 | 109 |
| 25.2 | 18 | 1328+30 | 11 | 126 |
| 25.2 | 12 | 1328+94 | 4 | 71 |
| 25.2 | 12 | 1330+13 | 3 | 116 |
| 25.2 | 12 | 1331+02 | 3 | 244 |
| 25.2 | 12 | 1331+29 | 3 | 208 |
| 25.2 | 12 | 1332+05 | 4 | 121 |
| 25.2 | 12 | 1332+45 | 4 | 56 |
| 25.2 | 12 | 1332+46 | 4 | 64 |
| 25.2 | 12 | 1332+85 | 4 | 60 |
| 25.3 | 18 | 1333+41 | 5 | 262 |
| 25.3 | 18 | 1333+62 | 5 | 255 |
| 25.3 | 12 | 1333+85 | 5 | 222 |
| 25.3 | 12 | 1334+09 | 5 | 179 |
| 25.3 | 12 | 1334+30 | 5 | 149 |
| 25.3 | 12 | 1334+54 | 5 | 121 |
| 25.3 | 12 | 1334+79 | 5 | 100 |
| 25.3 | 12 | 1335+05 | 5 | 66 |
| 25.3 | 12 | 1336+22 | 3 | 208 |
| 25.3 | 12 | 1336+50 | 3 | 175 |
| 25.3 | 12 | 1336+70 | 3 | 157 |
| 25.3 | 12 | 1336+94 | 3 | 123 |

STANDARD E&S WORKSHEET #1

Compost Filter Socks

| | | | |
|--------------------|---------------------------|-------|---------|
| PROJECT NAME: | PENNEAST PIPELINE PROJECT | | |
| LOCATION: | CARBON COUNTY | | |
| PROJECT COMPONENT: | MAINLINE | | |
| PREPARED BY: | KEK / JMB | DATE: | 10/2019 |
| CHECKED BY: | MDN | DATE: | 10/2019 |

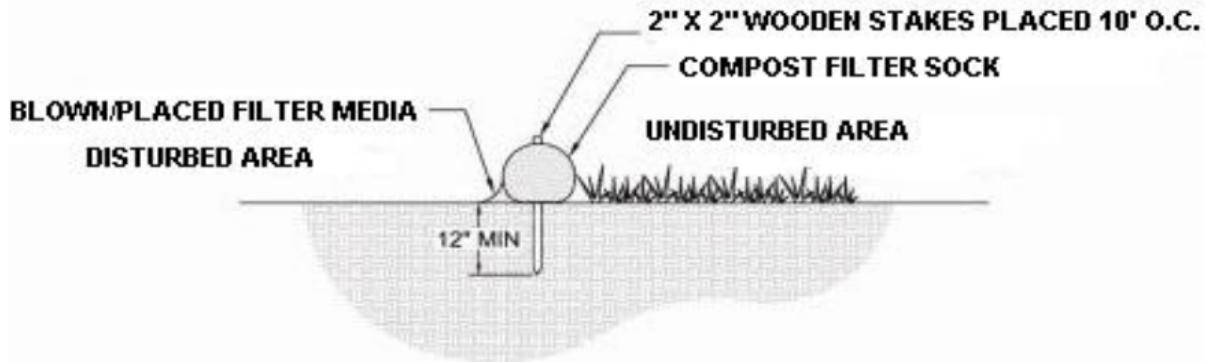


| MILEPOST | DIAMETER (IN) | LOCATION | SLOPE PERCENT | SLOPE LENGTH ABOVE BARRIER (FT) |
|----------|---------------|-----------------|---------------|---------------------------------|
| | | APPROX. STATION | | |
| 25.3 | 12 | 1337+18 | 3 | 95 |
| 25.3 | 12 | 1337+38 | 3 | 72 |
| 25.4 | 18 | 1338+99 | 3 | 255 |
| 25.4 | 12 | 1339+62 | 3 | 132 |
| 25.4 | 12 | 1339+95 | 4 | 103 |
| 25.4 | 12 | 1342+44 | 5 | 85 |
| 25.4 | 12 | 1342+64 | 5 | 58 |
| 25.5 | 12 | 1344+06 | 9 | 69 |
| 25.5 | 12 | 1344+28 | 9 | 45 |
| 25.5 | 12 | 1344+45 | 10 | 26 |
| 25.5 | 12 | 1345+08 | 9 | 121 |
| 25.5 | 12 | 1345+28 | 9 | 98 |
| 25.5 | 12 | 1345+54 | 9 | 71 |
| 25.5 | 12 | 1345+78 | 9 | 46 |
| 25.5 | 12 | 1346+01 | 9 | 23 |
| 25.5 | 12 | 1346+42 | 9 | 138 |
| 25.5 | 12 | 1346+62 | 9 | 118 |
| 25.5 | 12 | 1346+83 | 9 | 95 |
| 25.5 | 12 | 1347+07 | 9 | 69 |
| 25.5 | 12 | 1347+27 | 8 | 49 |
| 25.5 | 12 | 1347+46 | 8 | 29 |
| 25.5 | 12 | 1348+19 | 6 | 118 |
| 25.5 | 12 | 1348+48 | 6 | 89 |
| 25.5 | 12 | 1348+69 | 6 | 62 |
| 25.5 | 12 | 1348+90 | 6 | 39 |
| 25.6 | 12 | 1349+55 | 5 | 116 |

STANDARD E&S WORKSHEET #1

Compost Filter Socks

| | | | |
|--------------------|---------------------------|-------|---------|
| PROJECT NAME: | PENNEAST PIPELINE PROJECT | | |
| LOCATION: | CARBON COUNTY | | |
| PROJECT COMPONENT: | MAINLINE | | |
| PREPARED BY: | KEK / JMB | DATE: | 10/2019 |
| CHECKED BY: | MDN | DATE: | 10/2019 |

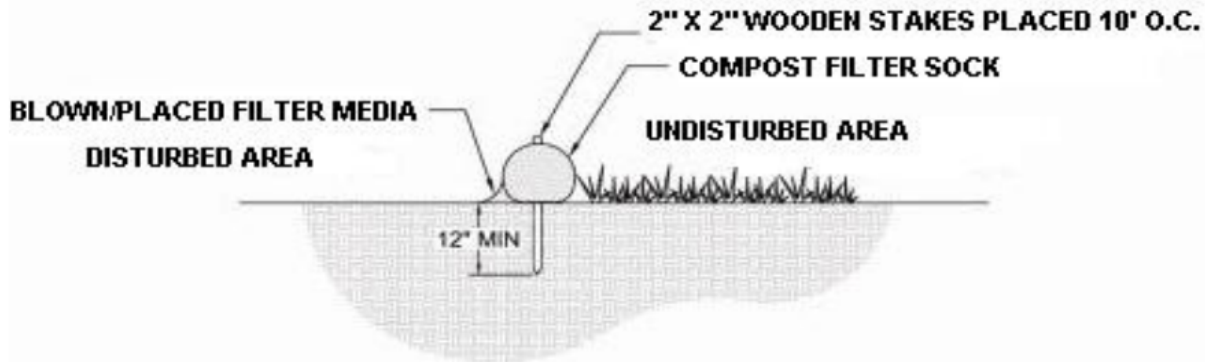


| MILEPOST | DIAMETER (IN) | LOCATION | SLOPE PERCENT | SLOPE LENGTH ABOVE BARRIER (FT) |
|----------|---------------|-----------------|---------------|---------------------------------|
| | | APPROX. STATION | | |
| 25.6 | 12 | 1349+74 | 5 | 97 |
| 25.6 | 12 | 1349+96 | 5 | 77 |
| 25.6 | 12 | 1350+20 | 5 | 57 |
| 25.6 | 12 | 1350+43 | 5 | 37 |
| 25.6 | 12 | 1353+12 | 2 | 221 |
| 25.6 | 18 | 1354+01 | 2 | 289 |
| 25.7 | 12 | 1354+61 | 4 | 40 |
| 25.7 | 12 | 1354+81 | 4 | 56 |
| 25.7 | 12 | 1355+02 | 4 | 74 |
| 25.7 | 12 | 1355+23 | 4 | 92 |
| 25.7 | 12 | 1355+42 | 4 | 108 |
| 25.7 | 12 | 1355+63 | 4 | 125 |
| 25.7 | 12 | 1355+86 | 4 | 145 |
| 25.7 | 12 | 1356+08 | 4 | 163 |
| 25.7 | 12 | 1356+27 | 4 | 182 |
| 25.7 | 12 | 1356+48 | 4 | 205 |
| 25.7 | 12 | 1357+54 | 2 | 117 |
| 25.7 | 12 | 1358+10 | 3 | 152 |
| 25.8 | 24 | 1361+46 | 1 | 480 |
| 25.8 | 18 | 1363+01 | 2 | 256 |
| 25.8 | 12 | 1363+19 | 2 | 234 |
| 25.8 | 24 | 1363+39 | 2 | 412 |
| 25.9 | 12 | 1368+96 | 5 | 109 |
| 25.9 | 12 | 1369+42 | 4 | 66 |
| 25.9 | 12 | 1369+80 | 3 | 35 |
| 26.0 | 12 | 1370+26 | 3 | 156 |

STANDARD E&S WORKSHEET #1

Compost Filter Socks

| | | | |
|--------------------|---------------------------|-------|---------|
| PROJECT NAME: | PENNEAST PIPELINE PROJECT | | |
| LOCATION: | CARBON COUNTY | | |
| PROJECT COMPONENT: | MAINLINE | | |
| PREPARED BY: | KEK / JMB | DATE: | 10/2019 |
| CHECKED BY: | MDN | DATE: | 10/2019 |

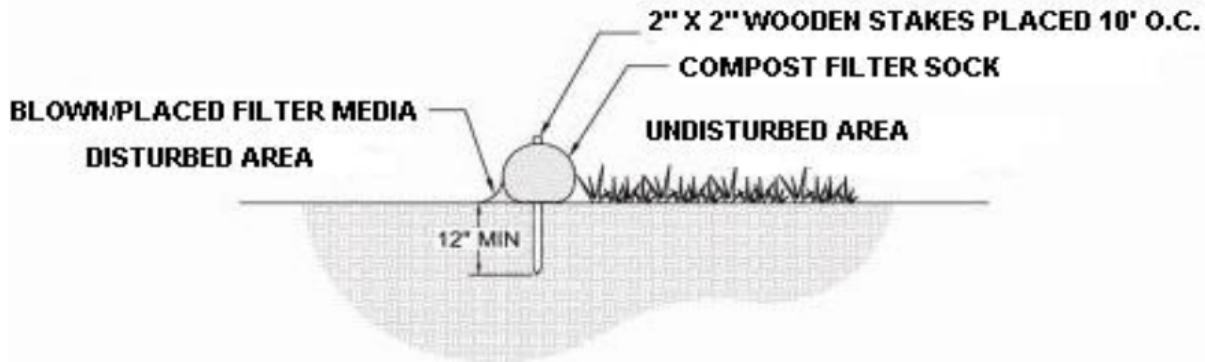


| MILEPOST | DIAMETER (IN) | LOCATION | SLOPE PERCENT | SLOPE LENGTH ABOVE BARRIER (FT) |
|----------|---------------|-----------------|---------------|---------------------------------|
| | | APPROX. STATION | | |
| 26.0 | 12 | 1370+95 | 4 | 87 |
| 26.0 | 12 | 1372+06 | 3 | 230 |
| 26.0 | 12 | 1372+26 | 3 | 209 |
| 26.0 | 12 | 1372+47 | 3 | 187 |
| 26.0 | 12 | 1372+73 | 3 | 159 |
| 26.0 | 12 | 1372+96 | 3 | 135 |
| 26.0 | 24 | 1374+47 | 3 | 364 |
| 26.0 | 18 | 1374+74 | 3 | 345 |
| 26.1 | 12 | 1376+30 | 2 | 239 |
| 26.1 | 12 | 1377+71 | 2 | 203 |
| 26.1 | 12 | 1379+34 | 2 | 225 |
| 26.1 | 18 | 1380+27 | 2 | 278 |
| 26.2 | 12 | 1381+06 | 6 | 31 |
| 26.3 | 12 | 1387+20 | 14 | 97 |
| 26.3 | 18 | 1387+27 | 14 | 106 |
| 26.3 | 12 | 1388+51 | 11 | 72 |
| 26.3 | 12 | 1388+53 | 9 | 70 |
| 26.3 | 12 | 1389+37 | 6 | 42 |
| 26.4 | 12 | 1393+83 | 8 | 97 |
| 26.4 | 12 | 1394+19 | 9 | 119 |
| 26.4 | 12 | 1394+82 | 10 | 27 |
| 26.4 | 12 | 1395+35 | 3 | 62 |
| 26.4 | 12 | 1395+62 | 3 | 83 |
| 26.4 | 12 | 1395+81 | 4 | 88 |
| 26.4 | 12 | 1395+90 | 5 | 105 |
| 26.4 | 12 | 1396+20 | 11 | 24 |

STANDARD E&S WORKSHEET #1

Compost Filter Socks

| | | | |
|--------------------|---------------------------|-------|---------|
| PROJECT NAME: | PENNEAST PIPELINE PROJECT | | |
| LOCATION: | CARBON COUNTY | | |
| PROJECT COMPONENT: | MAINLINE | | |
| PREPARED BY: | KEK / JMB | DATE: | 10/2019 |
| CHECKED BY: | MDN | DATE: | 10/2019 |

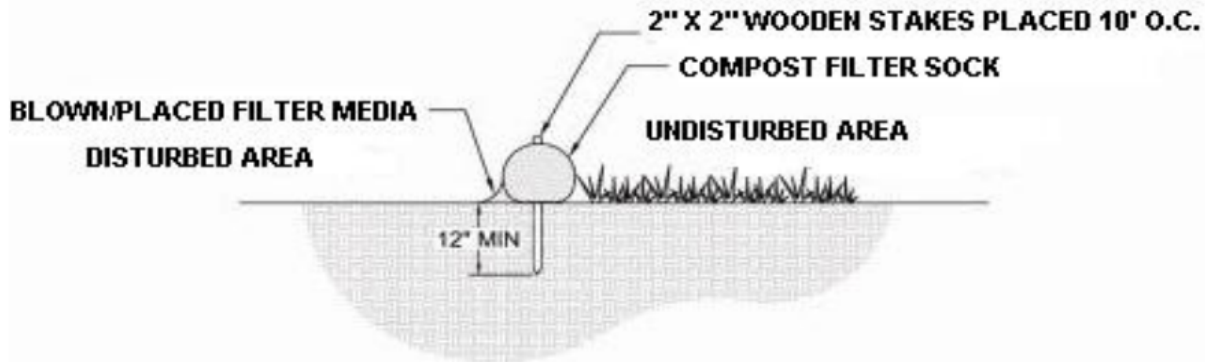


| MILEPOST | DIAMETER (IN) | LOCATION | SLOPE PERCENT | SLOPE LENGTH ABOVE BARRIER (FT) |
|----------|---------------|-----------------|---------------|---------------------------------|
| | | APPROX. STATION | | |
| 26.4 | 12 | 1396+30 | 11 | 33 |
| 26.4 | 12 | 1396+38 | 11 | 42 |
| 26.4 | 12 | 1396+51 | 10 | 55 |
| 26.4 | 12 | 1396+59 | 10 | 67 |
| 26.5 | 12 | 1396+90 | 10 | 87 |
| 26.5 | 12 | 1397+27 | 9 | 121 |
| 26.5 | 18 | 1397+78 | 8 | 169 |
| 26.5 | 18 | 1398+02 | 7 | 189 |
| 26.5 | 24 | 1398+59 | 3 | 463 |
| 26.5 | 32 | 1401+11 | 3 | 515 |
| 26.6 | 12 | 1402+98 | 5 | 58 |
| 26.6 | 12 | 1402+98 | 3 | 144 |
| 26.6 | 12 | 1403+17 | 8 | 43 |
| 26.6 | 12 | 1403+26 | 7 | 46 |
| 26.6 | 12 | 1403+55 | 1 | 37 |
| 26.6 | 12 | 1403+60 | 6 | 26 |
| 26.6 | 12 | 1403+71 | 1 | 40 |
| 26.6 | 12 | 1403+90 | 2 | 119 |
| 26.6 | 12 | 1404+69 | 3 | 87 |
| 26.6 | 12 | 1405+62 | 2 | 107 |
| 26.6 | 12 | 1405+77 | 2 | 103 |
| 26.6 | 12 | 1406+15 | 2 | 77 |
| 26.6 | 12 | 1406+61 | 2 | 86 |
| 26.6 | 12 | 1407+03 | 2 | 78 |
| 26.7 | 12 | 1407+54 | 2 | 83 |
| 26.7 | 12 | 1407+84 | 3 | 51 |

STANDARD E&S WORKSHEET #1

Compost Filter Socks

| | | |
|--------------------|---------------------------|---------------|
| PROJECT NAME: | PENNEAST PIPELINE PROJECT | |
| LOCATION: | CARBON COUNTY | |
| PROJECT COMPONENT: | MAINLINE | |
| PREPARED BY: | KEK / JMB | DATE: 10/2019 |
| CHECKED BY: | MDN | DATE: 10/2019 |

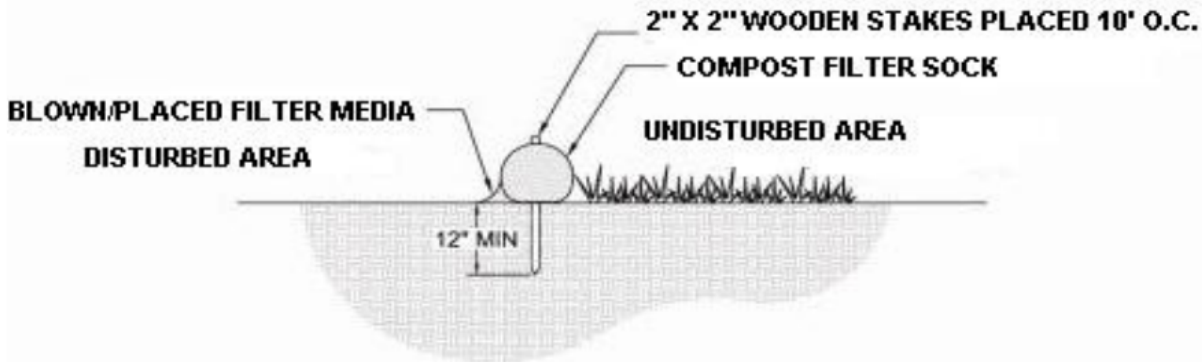


| MILEPOST | DIAMETER (IN) | LOCATION | SLOPE PERCENT | SLOPE LENGTH ABOVE BARRIER (FT) |
|----------|---------------|-----------------|---------------|---------------------------------|
| | | APPROX. STATION | | |
| 26.7 | 12 | 1407+89 | 1 | 5 |
| 26.7 | 12 | 1408+08 | 3 | 51 |
| 26.7 | 12 | 1408+14 | 2 | 12 |
| 26.7 | 32" DURASOXX | 1408+18 | 1 | 1020 |
| 26.7 | 32 | 1409+16 | 2 | 610 |
| 26.7 | 24 | 1410+29 | 1 | 371 |
| 26.8R2 | 18 | 1411+60 | 1 | 256 |
| 26.9R2 | 24 | 1413+15 | 2 | 379 |
| 27.5R2 | 12 | 1454+03 | 2 | 58 |
| 27.5R2 | 12 | 1454+03 | 5 | 148 |
| 27.5R2 | 12 | 1454+04 | 2 | 100 |
| 27.5R2 | 12 | 1454+47 | 3 | 66 |
| 27.6R2 | 12 | 1457+11 | 4 | 206 |
| 27.6R2 | 12 | 1457+34 | 20 | 47 |
| 27.6R2 | 12 | 1457+46 | 4 | 180 |
| 27.6R2 | 12 | 1457+57 | 21 | 28 |
| 27.6R2 | 12 | 1458+09 | 8 | 74 |
| 27.6R2 | 12 | 1458+29 | 2 | 113 |
| 27.6R2 | 12 | 1458+34 | 7 | 40 |
| 27.6R2 | 12 | 1458+63 | 2 | 87 |
| 27.6R2 | 12 | 1459+02 | 2 | 58 |
| 27.7R2 | 12 | 1460+09 | 2 | 115 |
| 27.7R2 | 12 | 1460+46 | 3 | 76 |
| 27.7R2 | 18 | 1461+13 | 2 | 318 |
| 27.7R2 | 12 | 1462+01 | 2 | 207 |
| 27.7R2 | 12 | 1462+24 | 2 | 126 |

STANDARD E&S WORKSHEET #1

Compost Filter Socks

| | | |
|--------------------|---------------------------|---------------|
| PROJECT NAME: | PENNEAST PIPELINE PROJECT | |
| LOCATION: | CARBON COUNTY | |
| PROJECT COMPONENT: | MAINLINE | |
| PREPARED BY: | KEK / JMB | DATE: 10/2019 |
| CHECKED BY: | MDN | DATE: 10/2019 |

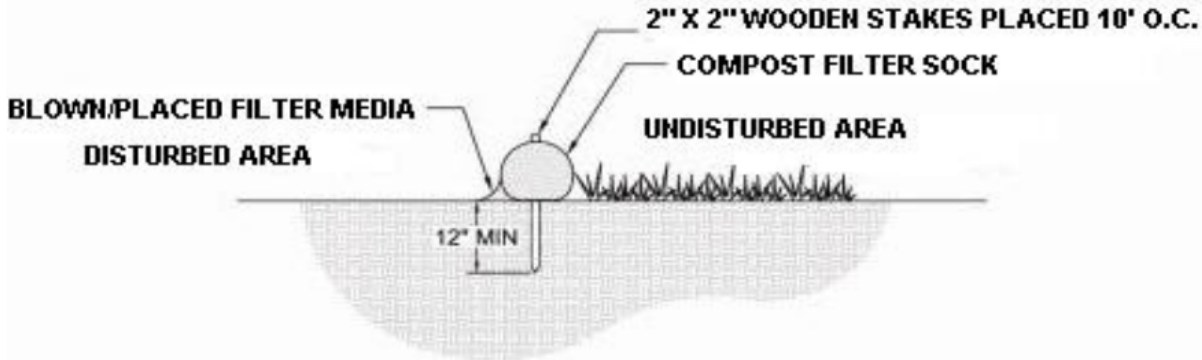


| MILEPOST | DIAMETER (IN) | LOCATION | SLOPE PERCENT | SLOPE LENGTH ABOVE BARRIER (FT) |
|----------|---------------|-----------------|---------------|---------------------------------|
| | | APPROX. STATION | | |
| 27.7R2 | 12 | 1463+78 | 7 | 130 |
| 27.7R2 | 12 | 1464+12 | 7 | 95 |
| 27.7R2 | 12 | 1464+36 | 7 | 71 |
| 27.7R2 | 12 | 1464+61 | 6 | 47 |
| 27.7R2 | 12 | 1464+83 | 7 | 26 |
| 27.8R2 | 12 | 1465+44 | 4 | 137 |
| 27.8R2 | 12 | 1465+71 | 4 | 92 |
| 27.9R2 | 12 | 1472+19 | 7 | 141 |
| 27.9R2 | 12 | 1472+50 | 8 | 109 |
| 27.9R2 | 12 | 1472+83 | 8 | 77 |
| 27.9R2 | 12 | 1473+14 | 7 | 48 |
| 27.9R2 | 12 | 1473+30 | 6 | 34 |
| 27.9R2 | 32 | 1473+70 | 3 | 511 |
| 28.0R2 | 24 | 1476+82 | 3 | 481 |
| 28.0R2 | 32 | 1477+76 | 3 | 511 |
| 28.0R2 | 32 | 1479+62 | 2 | 637 |
| 28.0R2 | 24 | 1480+80 | 2 | 494 |
| 28.1R2 | 24 | 1482+33 | 2 | 381 |
| 28.1R2 | 24 | 1485+09 | 1 | 394 |
| 28.1R2 | 24 | 1485+73 | 1 | 393 |
| 28.2R2 | 24 | 1486+42 | 1 | 400 |
| 28.2R2 | 12 | 1486+66 | 2 | 91 |
| 28.2R2 | 18 | 1490+15 | 3 | 281 |
| 28.2R2 | 12 | 1490+59 | 3 | 229 |
| 28.2R2 | 12 | 1491+24 | 3 | 159 |
| 28.3R2 | 12 | 1491+83 | 3 | 87 |

STANDARD E&S WORKSHEET #1

Compost Filter Socks

| | | | |
|--------------------|---------------------------|-------|---------|
| PROJECT NAME: | PENNEAST PIPELINE PROJECT | | |
| LOCATION: | CARBON COUNTY | | |
| PROJECT COMPONENT: | MAINLINE | | |
| PREPARED BY: | KEK / JMB | DATE: | 10/2019 |
| CHECKED BY: | MDN | DATE: | 10/2019 |

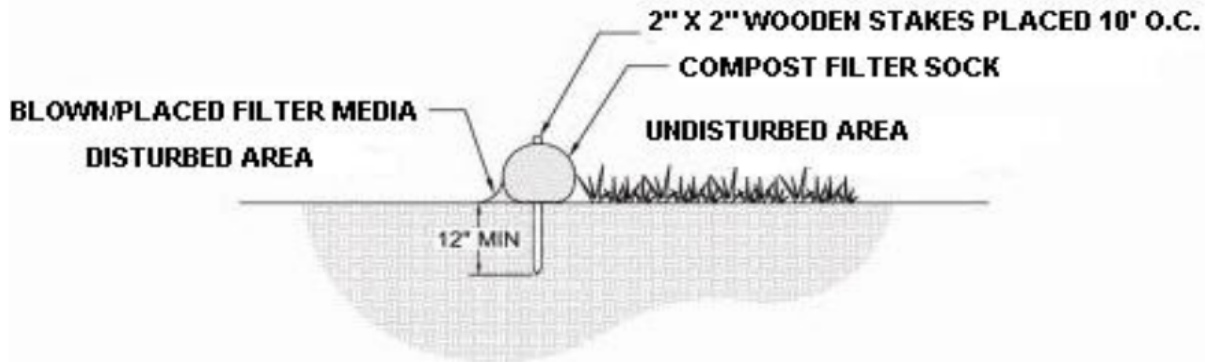


| MILEPOST | DIAMETER (IN) | LOCATION | SLOPE PERCENT | SLOPE LENGTH ABOVE BARRIER (FT) |
|----------|---------------|-----------------|---------------|---------------------------------|
| | | APPROX. STATION | | |
| 28.3R2 | 12 | 1492+00 | 3 | 62 |
| 28.3R2 | 12 | 1492+18 | 3 | 37 |
| 28.3R2 | 12 | 1493+46 | 3 | 190 |
| 28.3R2 | 12 | 1493+64 | 3 | 165 |
| 28.3R2 | 12 | 1493+68 | 5 | 72 |
| 28.3R2 | 12 | 1493+80 | 3 | 144 |
| 28.3R2 | 12 | 1494+01 | 2 | 125 |
| 28.3R2 | 12 | 1494+19 | 3 | 151 |
| 28.3R2 | 12 | 1494+22 | 2 | 103 |
| 28.3R2 | 12 | 1494+31 | 3 | 134 |
| 28.3R2 | 12 | 1494+39 | 2 | 86 |
| 28.3R2 | 12 | 1494+55 | 2 | 70 |
| 28.3R2 | 12 | 1496+70 | 2 | 89 |
| 28.4R2 | 12 | 1496+98 | 2 | 108 |
| 28.4R2 | 12 | 1498+28 | 4 | 194 |
| 28.4R2 | 12 | 1498+52 | 4 | 170 |
| 28.4R2 | 12 | 1500+61 | 3 | 240 |
| 28.4R2 | 12 | 1501+70 | 3 | 123 |
| 28.5R2 | 12 | 1502+28 | 3 | 70 |
| 28.5R2 | 12 | 1502+71 | 5 | 244 |
| 28.5R2 | 18 | 1502+95 | 6 | 229 |
| 28.5R2 | 18 | 1503+48 | 6 | 181 |
| 28.5R2 | 12 | 1503+87 | 6 | 148 |
| 28.5R2 | 12 | 1504+33 | 6 | 110 |
| 28.5R2 | 12 | 1504+68 | 6 | 82 |
| 28.5R2 | 12 | 1505+01 | 6 | 54 |

STANDARD E&S WORKSHEET #1

Compost Filter Socks

| | | | |
|--------------------|---------------------------|-------|---------|
| PROJECT NAME: | PENNEAST PIPELINE PROJECT | | |
| LOCATION: | CARBON COUNTY | | |
| PROJECT COMPONENT: | MAINLINE | | |
| PREPARED BY: | KEK / JMB | DATE: | 10/2019 |
| CHECKED BY: | MDN | DATE: | 10/2019 |

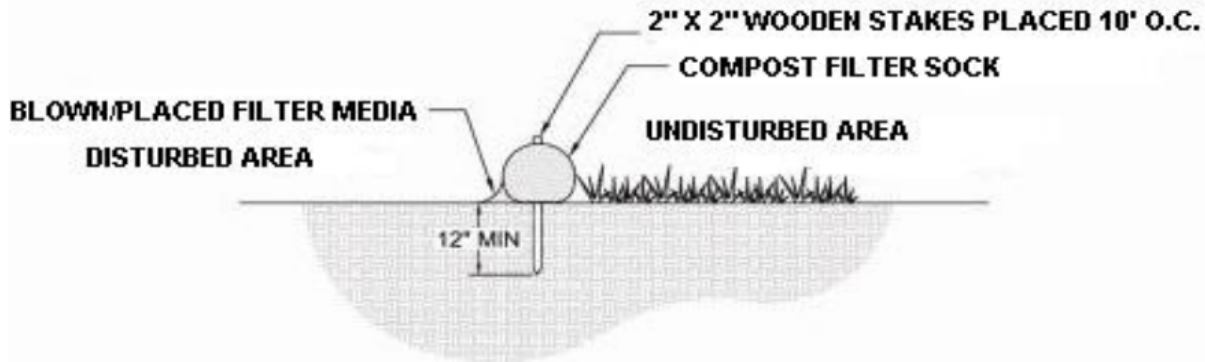


| MILEPOST | DIAMETER (IN) | LOCATION | SLOPE PERCENT | SLOPE LENGTH ABOVE BARRIER (FT) |
|----------|---------------|-----------------|---------------|---------------------------------|
| | | APPROX. STATION | | |
| 28.6R2 | 12 | 1508+52 | 4 | 234 |
| 28.6R2 | 12 | 1508+73 | 5 | 204 |
| 28.6R2 | 12 | 1508+97 | 5 | 171 |
| 28.6R2 | 12 | 1510+06 | 6 | 60 |
| 28.6R2 | 18 | 1510+72 | 3 | 255 |
| 28.6R2 | 12 | 1511+30 | 3 | 212 |
| 28.6R2 | 12 | 1512+04 | 4 | 124 |
| 28.7R2 | 12 | 1513+34 | 4 | 112 |
| 28.7R2 | 12 | 1513+85 | 4 | 67 |
| 28.7R2 | 12 | 1514+69 | 3 | 116 |
| 28.7R2 | 12 | 1515+42 | 4 | 46 |
| 28.7R2 | 12 | 1515+82 | 4 | 247 |
| 28.7R2 | 12 | 1516+23 | 4 | 206 |
| 28.7R2 | 12 | 1516+76 | 4 | 151 |
| 28.7R2 | 12 | 1517+25 | 4 | 103 |
| 28.8R2 | 12 | 1518+07 | 6 | 26 |
| 28.8R2 | 18 | 1518+54 | 6 | 160 |
| 28.8R2 | 12 | 1519+22 | 7 | 103 |
| 28.8R2 | 12 | 1520+14 | 7 | 61 |
| 28.8R2 | 12 | 1521+68 | 10 | 110 |
| 28.8R2 | 12 | 1522+32 | 8 | 110 |
| 28.8R2 | 12 | 1523+15 | 8 | 107 |
| 28.9R2 | 12 | 1524+02 | 8 | 105 |
| 28.9R2 | 12 | 1525+56 | 7 | 109 |
| 28.9R2 | 12 | 1526+76 | 9 | 99 |
| 29.0R2 | 24 | 1528+70 | 7 | 258 |

STANDARD E&S WORKSHEET #1

Compost Filter Socks

| | | | |
|--------------------|---------------------------|-------|---------|
| PROJECT NAME: | PENNEAST PIPELINE PROJECT | | |
| LOCATION: | CARBON COUNTY | | |
| PROJECT COMPONENT: | MAINLINE | | |
| PREPARED BY: | KEK / JMB | DATE: | 10/2019 |
| CHECKED BY: | MDN | DATE: | 10/2019 |

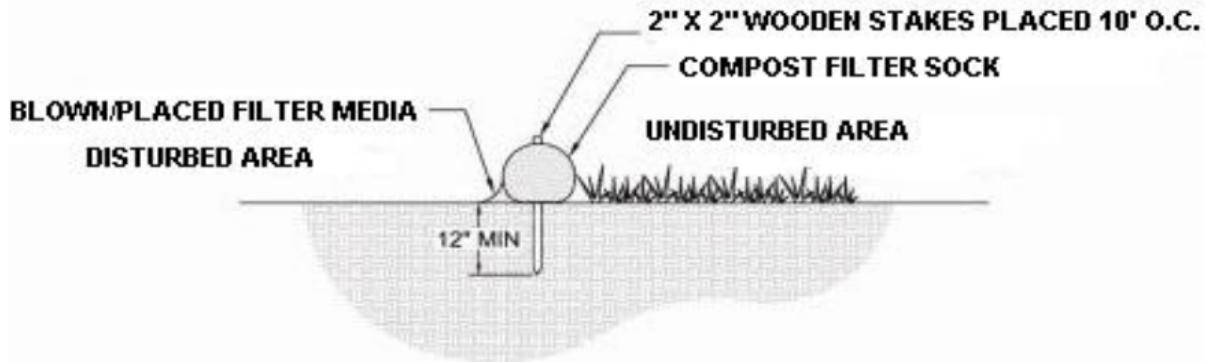


| MILEPOST | DIAMETER (IN) | LOCATION | SLOPE PERCENT | SLOPE LENGTH ABOVE BARRIER (FT) |
|----------|---------------|-----------------|---------------|---------------------------------|
| | | APPROX. STATION | | |
| 29.0R2 | 18 | 1529+32 | 7 | 249 |
| 29.0R2 | 18 | 1529+92 | 7 | 249 |
| 29.0R2 | 12 | 1531+06 | 9 | 55 |
| 29.0R2 | 12 | 1531+62 | 9 | 84 |
| 29.0R2 | 12 | 1533+47 | 7 | 88 |
| 29.1R2 | 12 | 1533+98 | 8 | 116 |
| 29.1R2 | 12 | 1534+71 | 10 | 40 |
| 29.1R2 | 12 | 1535+33 | 9 | 76 |
| 29.1R2 | 12 | 1535+96 | 8 | 122 |
| 29.1R2 | 12 | 1536+96 | 9 | 112 |
| 29.1R2 | 18 | 1538+18 | 9 | 152 |
| 29.2R2 | 12 | 1539+57 | 7 | 49 |
| 29.2R2 | 12 | 1540+41 | 5 | 28 |
| 29.2R2 | 12 | 1540+94 | 4 | 84 |
| 29.2R2 | 12 | 1541+67 | 4 | 155 |
| 29.2R2 | 12 | 1541+76 | 4 | 148 |
| 29.2R2 | 12 | 1541+97 | 3 | 208 |
| 29.2R2 | 12 | 1542+88 | 4 | 62 |
| 29.2R2 | 12 | 1543+88 | 4 | 33 |
| 29.3R2 | 12 | 1545+50 | 2 | 73 |
| 29.3R2 | 24 | 1545+62 | 1 | 423 |
| 29.3R2 | 18 | 1546+73 | 1 | 321 |
| 29.3R2 | 18 | 1547+84 | 1 | 276 |
| 29.3R2 | 18 | 1549+10 | 0 | 274 |
| 29.3R2 | 32 | 1549+42 | 3 | 504 |
| 29.4R2 | 18 | 1550+58 | 3 | 273 |

STANDARD E&S WORKSHEET #1

Compost Filter Socks

| | | |
|--------------------|---------------------------|---------------|
| PROJECT NAME: | PENNEAST PIPELINE PROJECT | |
| LOCATION: | CARBON COUNTY | |
| PROJECT COMPONENT: | MAINLINE | |
| PREPARED BY: | KEK / JMB | DATE: 10/2019 |
| CHECKED BY: | MDN | DATE: 10/2019 |

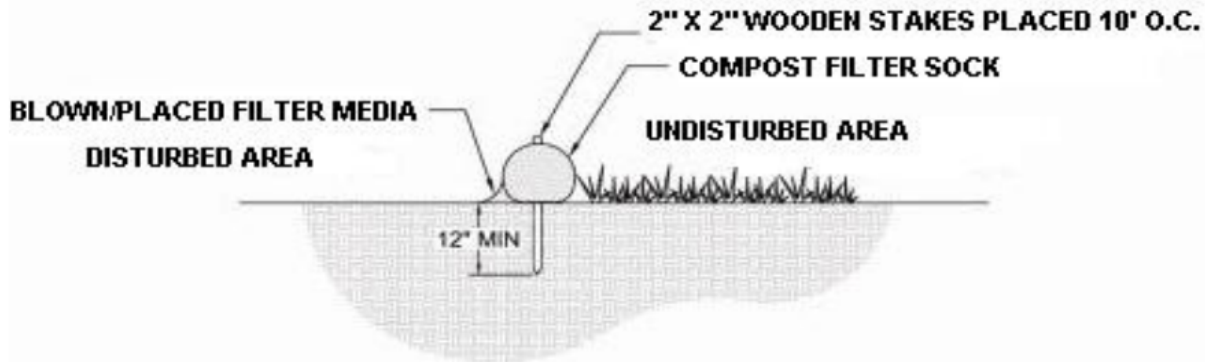


| MILEPOST | DIAMETER (IN) | LOCATION | SLOPE PERCENT | SLOPE LENGTH ABOVE BARRIER (FT) |
|----------|---------------|-----------------|---------------|---------------------------------|
| | | APPROX. STATION | | |
| 29.4R2 | 12 | 1551+16 | 4 | 199 |
| 29.4R2 | 12 | 1551+68 | 4 | 88 |
| 29.4R2 | 12 | 1551+87 | 5 | 113 |
| 29.4R2 | 12 | 1552+56 | 10 | 34 |
| 29.4R2 | 12 | 1552+83 | 10 | 59 |
| 29.4R2 | 12 | 1553+19 | 9 | 94 |
| 29.4R2 | 12 | 1553+84 | 8 | 36 |
| 29.4R2 | 12 | 1553+86 | 6 | 27 |
| 29.4R2 | 12 | 1554+07 | 7 | 47 |
| 29.4R2 | 12 | 1554+14 | 7 | 63 |
| 29.4R2 | 12 | 1554+32 | 7 | 74 |
| 29.4R2 | 12 | 1554+41 | 7 | 89 |
| 29.4R2 | 12 | 1554+81 | 7 | 128 |
| 29.5R2 | 12 | 1555+31 | 13 | 23 |
| 29.5R2 | 12 | 1555+56 | 15 | 46 |
| 29.5R2 | 12 | 1556+74 | 8 | 18 |
| 29.5R2 | 12 | 1557+43 | 8 | 83 |
| 29.5R2 | 12 | 1557+43 | 9 | 91 |
| 29.6R2 | 12 | 1561+49 | 5 | 97 |
| 29.6R2 | 12 | 1561+58 | 4 | 60 |
| 29.6R2 | 12 | 1562+16 | 5 | 27 |
| 29.6R2 | 12 | 1562+40 | 4 | 23 |
| 29.6R2 | 12 | 1562+46 | 4 | 42 |
| 29.6R2 | 12 | 1562+47 | 4 | 44 |
| 29.8R2 | 12 | 1570+94 | 2 | 208 |
| 29.8R2 | 12 | 1571+18 | 1 | 61 |

STANDARD E&S WORKSHEET #1

Compost Filter Socks

| | | | |
|--------------------|---------------------------|-------|---------|
| PROJECT NAME: | PENNEAST PIPELINE PROJECT | | |
| LOCATION: | CARBON COUNTY | | |
| PROJECT COMPONENT: | MAINLINE | | |
| PREPARED BY: | KEK / JMB | DATE: | 10/2019 |
| CHECKED BY: | MDN | DATE: | 10/2019 |

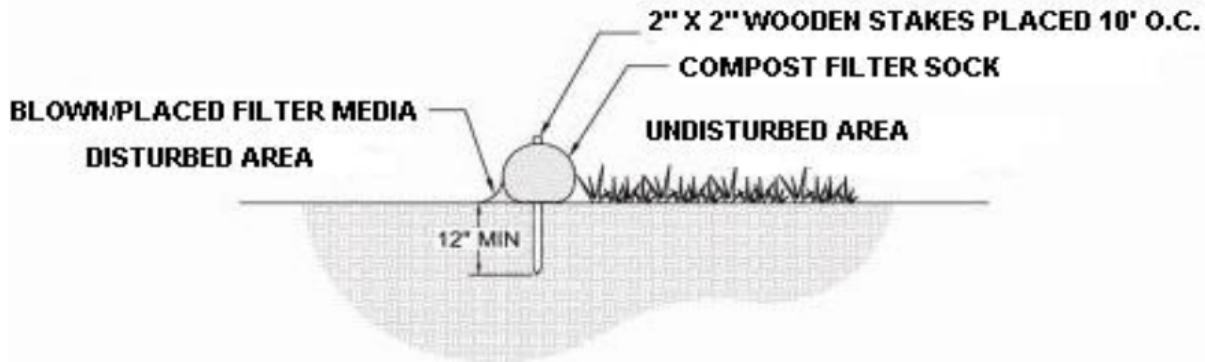


| MILEPOST | DIAMETER (IN) | LOCATION | SLOPE PERCENT | SLOPE LENGTH ABOVE BARRIER (FT) |
|----------|---------------|-----------------|---------------|---------------------------------|
| | | APPROX. STATION | | |
| 29.8R2 | 12 | 1571+62 | 0 | 48 |
| 29.8R2 | 12 | 1572+09 | 3 | 11 |
| 29.8R2 | 12 | 1572+35 | 4 | 11 |
| 29.8R2 | 12 | 1572+54 | 4 | 32 |
| 29.8R2 | 12 | 1572+69 | 1 | 9 |
| 29.8R2 | 12 | 1572+97 | 1 | 9 |
| 29.8R2 | 12 | 1573+04 | 4 | 18 |
| 29.8R2 | 12 | 1573+07 | 4 | 141 |
| 29.8R2 | 12 | 1573+40 | 5 | 104 |
| 29.8R2 | 12 | 1573+46 | 5 | 39 |
| 29.8R2 | 12 | 1573+75 | 5 | 53 |
| 29.8R2 | 12 | 1573+97 | 5 | 48 |
| 29.8R2 | 12 | 1574+11 | 5 | 37 |
| 29.8R2 | 12 | 1574+39 | 6 | 20 |
| 29.8R2 | 12 | 1574+97 | 6 | 29 |
| 29.8R2 | 12 | 1575+19 | 6 | 29 |
| 29.8R2 | 12 | 1575+39 | 6 | 29 |
| 29.8R2 | 12 | 1575+57 | 8 | 44 |
| 29.8R2 | 12 | 1575+61 | 6 | 29 |
| 29.8R2 | 12 | 1575+87 | 6 | 18 |
| 29.9R2 | 12 | 1576+18 | 6 | 18 |
| 29.9R2 | 12 | 1576+32 | 6 | 124 |
| 29.9R2 | 12 | 1576+47 | 6 | 26 |
| 29.9R2 | 12 | 1576+78 | 4 | 22 |
| 29.9R2 | 12 | 1577+01 | 6 | 55 |
| 29.9R2 | 12 | 1577+07 | 4 | 44 |

STANDARD E&S WORKSHEET #1

Compost Filter Socks

| | | | |
|--------------------|---------------------------|-------|---------|
| PROJECT NAME: | PENNEAST PIPELINE PROJECT | | |
| LOCATION: | CARBON COUNTY | | |
| PROJECT COMPONENT: | MAINLINE | | |
| PREPARED BY: | KEK / JMB | DATE: | 10/2019 |
| CHECKED BY: | MDN | DATE: | 10/2019 |

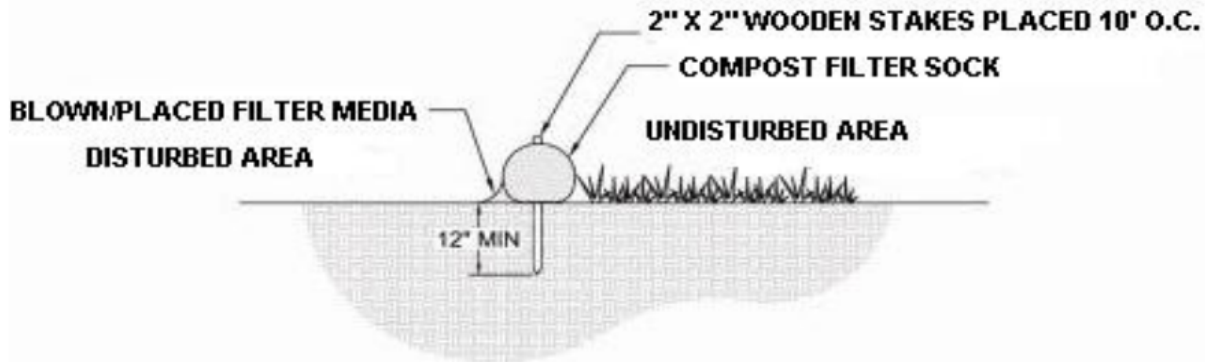


| MILEPOST | DIAMETER (IN) | LOCATION | SLOPE PERCENT | SLOPE LENGTH ABOVE BARRIER (FT) |
|----------|---------------|-----------------|---------------|---------------------------------|
| | | APPROX. STATION | | |
| 29.9R2 | 12 | 1577+32 | 5 | 22 |
| 29.9R2 | 12 | 1577+37 | 4 | 20 |
| 29.9R2 | 12 | 1577+76 | 5 | 85 |
| 29.9R2 | 12 | 1577+90 | 4 | 28 |
| 29.9R2 | 12 | 1578+19 | 4 | 48 |
| 29.9R2 | 12 | 1578+22 | 6 | 85 |
| 29.9R2 | 12 | 1578+58 | 5 | 85 |
| 29.9R2 | 12 | 1578+67 | 4 | 42 |
| 29.9R2 | 12 | 1578+96 | 5 | 85 |
| 29.9R2 | 12 | 1579+03 | 4 | 43 |
| 29.9R2 | 12 | 1579+42 | 5 | 72 |
| 29.9R2 | 12 | 1579+47 | 3 | 20 |
| 29.9R2 | 12 | 1579+77 | 5 | 26 |
| 29.9R2 | 12 | 1579+87 | 4 | 24 |
| 29.9R2 | 12 | 1580+25 | 5 | 68 |
| 29.9R2 | 12 | 1580+55 | 4 | 73 |
| 29.9R2 | 12 | 1580+83 | 4 | 46 |
| 29.9R2 | 12 | 1581+02 | 5 | 40 |
| 29.9R2 | 12 | 1581+12 | 4 | 46 |
| 30.0R2 | 12 | 1581+44 | 5 | 46 |
| 30.0R2 | 12 | 1581+73 | 5 | 46 |
| 30.0R2 | 12 | 1582+01 | 4 | 46 |
| 30.0R2 | 12 | 1582+36 | 4 | 24 |
| 30.0R2 | 12 | 1582+86 | 3 | 79 |
| 30.0R2 | 12 | 1583+28 | 3 | 42 |
| 30.0R2 | 12 | 1583+67 | 4 | 14 |

STANDARD E&S WORKSHEET #1

Compost Filter Socks

| | | | |
|--------------------|---------------------------|-------|---------|
| PROJECT NAME: | PENNEAST PIPELINE PROJECT | | |
| LOCATION: | CARBON COUNTY | | |
| PROJECT COMPONENT: | MAINLINE | | |
| PREPARED BY: | KEK / JMB | DATE: | 10/2019 |
| CHECKED BY: | MDN | DATE: | 10/2019 |

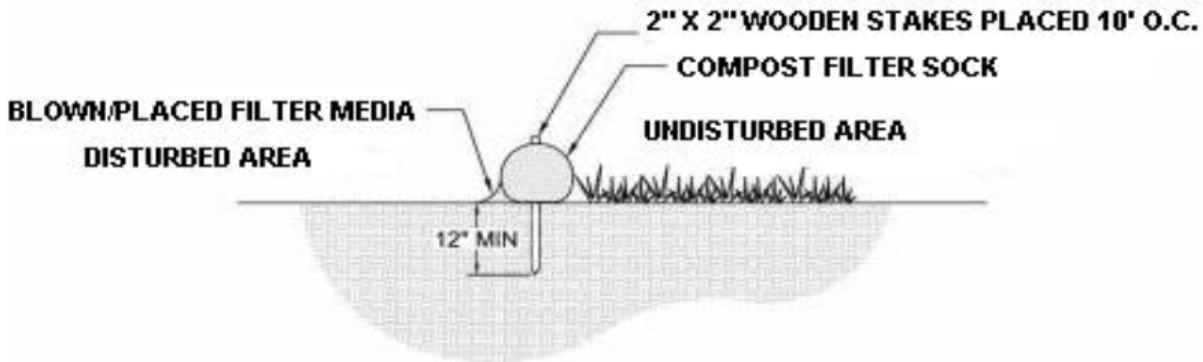


| MILEPOST | DIAMETER (IN) | LOCATION | SLOPE PERCENT | SLOPE LENGTH ABOVE BARRIER (FT) |
|----------|---------------|-----------------|---------------|---------------------------------|
| | | APPROX. STATION | | |
| 30.0R2 | 12 | 1583+99 | 3 | 73 |
| 30.0R2 | 12 | 1584+36 | 5 | 13 |
| 30.0R2 | 12 | 1586+16 | 4 | 48 |
| 30.1R2 | 12 | 1586+81 | 4 | 86 |
| 30.1R2 | 12 | 1587+14 | 3 | 8 |
| 30.1R2 | 12 | 1588+41 | 3 | 72 |
| 30.1R2 | 12 | 1588+82 | 3 | 73 |
| 30.1R2 | 12 | 1589+43 | 3 | 73 |
| 30.1R2 | 12 | 1589+89 | 3 | 73 |
| 30.1R2 | 12 | 1590+25 | 3 | 73 |
| 30.1R2 | 12 | 1591+75 | 3 | 68 |
| 30.2R2 | 12 | 1593+22 | 2 | 71 |
| 30.2R2 | 12 | 1594+02 | 3 | 91 |
| 30.2R2 | 12 | 1595+44 | 3 | 55 |
| 30.2R2 | 12 | 1595+82 | 3 | 108 |
| 30.2R2 | 12 | 1597+08 | 3 | 100 |
| 30.3R2 | 12 | 1597+63 | 5 | 17 |
| 30.3R2 | 12 | 1598+07 | 5 | 58 |
| 30.3R2 | 12 | 1598+51 | 4 | 101 |
| 30.3R2 | 12 | 1599+24 | 4 | 17 |
| 30.3R2 | 12 | 1599+60 | 4 | 84 |
| 30.3R2 | 12 | 1600+10 | 4 | 151 |
| 30.3R2 | 12 | 1600+68 | 3 | 20 |
| 30.3R2 | 12 | 1600+96 | 3 | 76 |
| 30.3R2 | 12 | 1601+25 | 4 | 111 |
| 30.3R2 | 12 | 1601+55 | 5 | 10 |

STANDARD E&S WORKSHEET #1

Compost Filter Socks

| | | |
|--------------------|---------------------------|---------------|
| PROJECT NAME: | PENNEAST PIPELINE PROJECT | |
| LOCATION: | CARBON COUNTY | |
| PROJECT COMPONENT: | MAINLINE | |
| PREPARED BY: | KEK / JMB | DATE: 10/2019 |
| CHECKED BY: | MDN | DATE: 10/2019 |

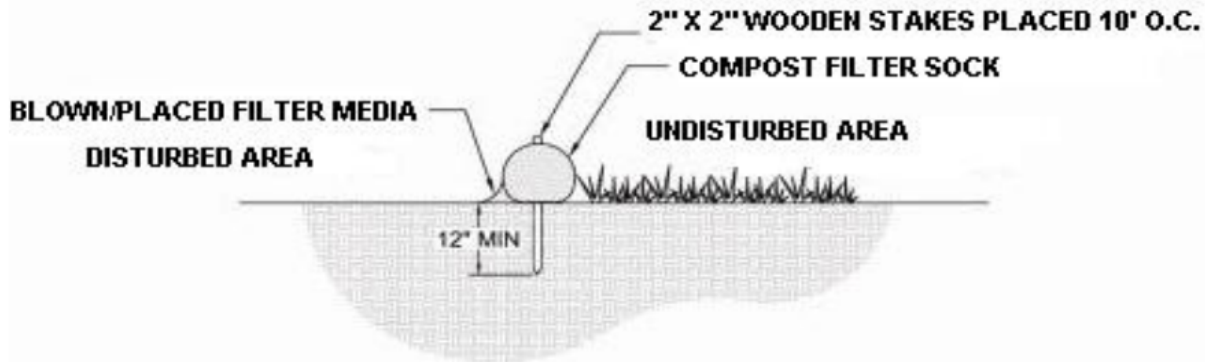


| MILEPOST | DIAMETER (IN) | LOCATION | SLOPE PERCENT | SLOPE LENGTH ABOVE BARRIER (FT) |
|----------|---------------|-----------------|---------------|---------------------------------|
| | | APPROX. STATION | | |
| 30.3R2 | 12 | 1601+77 | 5 | 28 |
| 30.3R2 | 12 | 1601+99 | 5 | 46 |
| 30.3R2 | 12 | 1602+20 | 4 | 64 |
| 30.3R2 | 12 | 1602+48 | 4 | 28 |
| 30.4R2 | 12 | 1602+48 | 4 | 34 |
| 30.4R2 | 12 | 1602+48 | 4 | 14 |
| 30.4R2 | 12 | 1602+70 | 6 | 21 |
| 30.4R2 | 12 | 1603+04 | 8 | 25 |
| 30.4R2 | 12 | 1603+09 | 7 | 37 |
| 30.4R2 | 12 | 1603+22 | 3 | 84 |
| 30.4R2 | 12 | 1603+28 | 8 | 50 |
| 30.4R2 | 32" DURASOXX | 1603+49 | 10 | 499 |
| 30.4R2 | 32" DURASOXX | 1603+68 | 5 | 4041 |
| 30.4R2 | 32" DURASOXX | 1603+90 | 5 | 4042 |
| 30.4R2 | 32" DURASOXX | 1604+36 | 5 | 4042 |
| 30.4R2 | 32" DURASOXX | 1604+61 | 5 | 4074 |
| 30.4R2 | 12 | 1605+01 | 6 | 12 |
| 30.4R2 | 12 | 1605+28 | 5 | 60 |
| 30.4R2 | 12 | 1605+69 | 6 | 80 |
| 30.4R2 | 12 | 1606+10 | 6 | 99 |
| 30.4R2 | 12 | 1606+32 | 6 | 84 |
| 30.4R2 | 12 | 1606+82 | 6 | 49 |
| 30.4R2 | 12 | 1607+22 | 7 | 73 |
| 30.5R2 | 12 | 1607+95 | 7 | 48 |
| 30.5R2 | 12 | 1608+23 | 8 | 58 |
| 30.5R2 | 12 | 1608+43 | 8 | 67 |

STANDARD E&S WORKSHEET #1

Compost Filter Socks

| | | |
|--------------------|---------------------------|---------------|
| PROJECT NAME: | PENNEAST PIPELINE PROJECT | |
| LOCATION: | CARBON COUNTY | |
| PROJECT COMPONENT: | MAINLINE | |
| PREPARED BY: | KEK / JMB | DATE: 10/2019 |
| CHECKED BY: | MDN | DATE: 10/2019 |

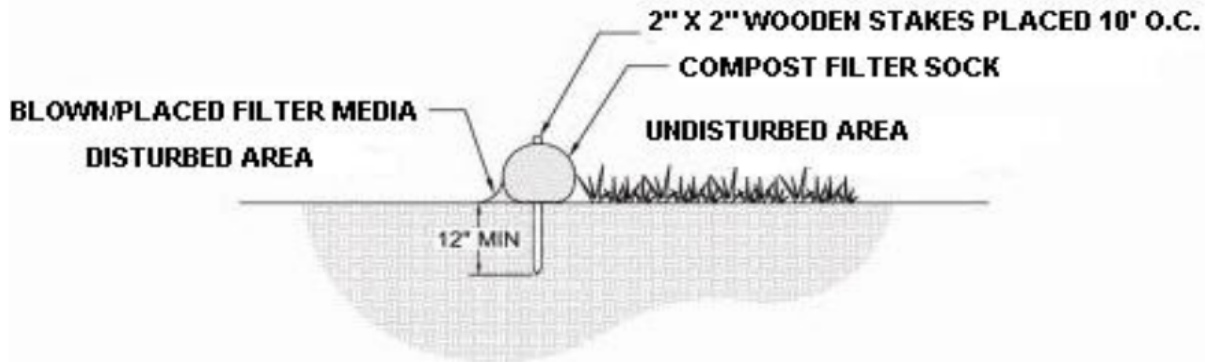


| MILEPOST | DIAMETER (IN) | LOCATION | SLOPE PERCENT | SLOPE LENGTH ABOVE BARRIER (FT) |
|----------|---------------|-----------------|---------------|---------------------------------|
| | | APPROX. STATION | | |
| 30.5R2 | 12 | 1608+71 | 8 | 91 |
| 30.5R2 | 12 | 1608+97 | 9 | 91 |
| 30.5R2 | 12 | 1609+42 | 8 | 39 |
| 30.5R2 | 12 | 1610+01 | 8 | 86 |
| 30.5R2 | 12 | 1610+33 | 9 | 9 |
| 30.5R2 | 12 | 1610+56 | 9 | 27 |
| 30.5R2 | 12 | 1611+09 | 8 | 68 |
| 30.5R2 | 12 | 1611+47 | 8 | 21 |
| 30.5R2 | 12 | 1611+94 | 8 | 34 |
| 30.5R2 | 12 | 1612+39 | 8 | 72 |
| 30.5R2 | 12 | 1612+88 | 10 | 17 |
| 30.6R2 | 12 | 1613+20 | 10 | 35 |
| 30.6R2 | 12 | 1613+55 | 10 | 7 |
| 30.6R2 | 12 | 1613+86 | 11 | 20 |
| 30.6R2 | 12 | 1614+26 | 12 | 45 |
| 30.6R2 | 12 | 1614+51 | 13 | 65 |
| 30.6R2 | 12 | 1614+88 | 13 | 88 |
| 30.6R2 | 12 | 1614+96 | 14 | 7 |
| 30.6R2 | 12 | 1614+97 | 15 | 20 |
| 30.6R2 | 12 | 1614+97 | 15 | 33 |
| 30.6R2 | 18 | 1615+31 | 13 | 116 |
| 30.6R2 | 12 | 1615+54 | 14 | 99 |
| 30.6R2 | 12 | 1615+92 | 10 | 19 |
| 30.6R2 | 12 | 1616+16 | 12 | 33 |
| 30.6R2 | 12 | 1616+43 | 13 | 48 |
| 30.6R2 | 12 | 1616+71 | 14 | 71 |

STANDARD E&S WORKSHEET #1

Compost Filter Socks

| | | |
|--------------------|---------------------------|---------------|
| PROJECT NAME: | PENNEAST PIPELINE PROJECT | |
| LOCATION: | CARBON COUNTY | |
| PROJECT COMPONENT: | MAINLINE | |
| PREPARED BY: | KEK / JMB | DATE: 10/2019 |
| CHECKED BY: | MDN | DATE: 10/2019 |

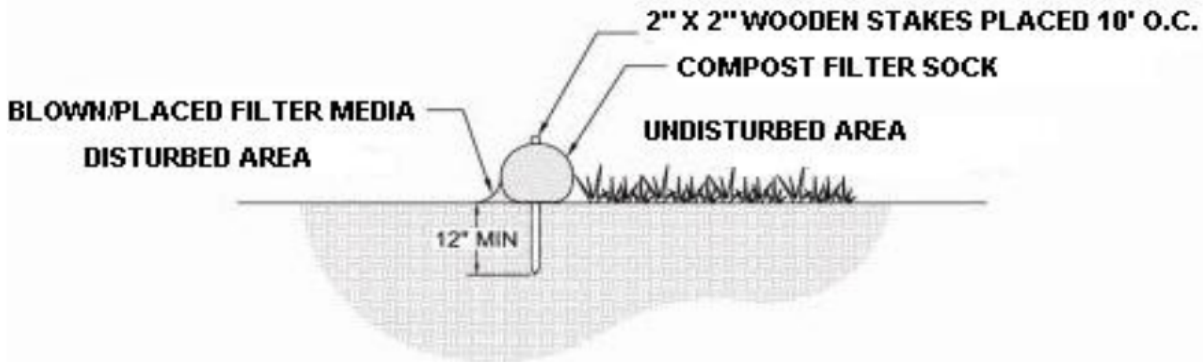


| MILEPOST | DIAMETER (IN) | LOCATION | SLOPE PERCENT | SLOPE LENGTH ABOVE BARRIER (FT) |
|----------|---------------|-----------------|---------------|---------------------------------|
| | | APPROX. STATION | | |
| 30.6R2 | 12 | 1616+98 | 13 | 92 |
| 30.6R2 | 12 | 1617+67 | 8 | 52 |
| 30.6R2 | 12 | 1618+11 | 6 | 94 |
| 30.7R2 | 12 | 1618+54 | 5 | 78 |
| 30.7R2 | 12 | 1619+19 | 5 | 62 |
| 30.7R2 | 12 | 1619+76 | 4 | 52 |
| 30.7R2 | 12 | 1620+37 | 4 | 56 |
| 30.7R2 | 12 | 1620+81 | 4 | 84 |
| 30.7R2 | 12 | 1621+40 | 6 | 30 |
| 30.7R2 | 12 | 1621+82 | 5 | 73 |
| 30.7R2 | 12 | 1622+17 | 5 | 173 |
| 30.7R2 | 12 | 1622+63 | 5 | 189 |
| 30.7R2 | 12 | 1623+06 | 6 | 106 |
| 30.7R2 | 12 | 1623+45 | 6 | 114 |
| 30.8R2 | 12 | 1623+79 | 8 | 16 |
| 30.8R2 | 12 | 1624+04 | 9 | 44 |
| 30.8R2 | 12 | 1624+29 | 9 | 72 |
| 30.8R2 | 12 | 1624+51 | 9 | 99 |
| 30.8R2 | 12 | 1624+77 | 9 | 128 |
| 30.8R2 | 12 | 1625+00 | 9 | 90 |
| 30.8R2 | 12 | 1625+31 | 13 | 24 |
| 30.8R2 | 12 | 1625+59 | 13 | 53 |
| 30.8R2 | 12 | 1625+84 | 13 | 86 |
| 30.8R2 | 18 | 1626+07 | 13 | 100 |
| 30.8R2 | 18 | 1626+25 | 13 | 118 |
| 30.8R2 | 12 | 1626+84 | 10 | 26 |

STANDARD E&S WORKSHEET #1

Compost Filter Socks

| | | |
|--------------------|---------------------------|---------------|
| PROJECT NAME: | PENNEAST PIPELINE PROJECT | |
| LOCATION: | CARBON COUNTY | |
| PROJECT COMPONENT: | MAINLINE | |
| PREPARED BY: | KEK / JMB | DATE: 10/2019 |
| CHECKED BY: | MDN | DATE: 10/2019 |

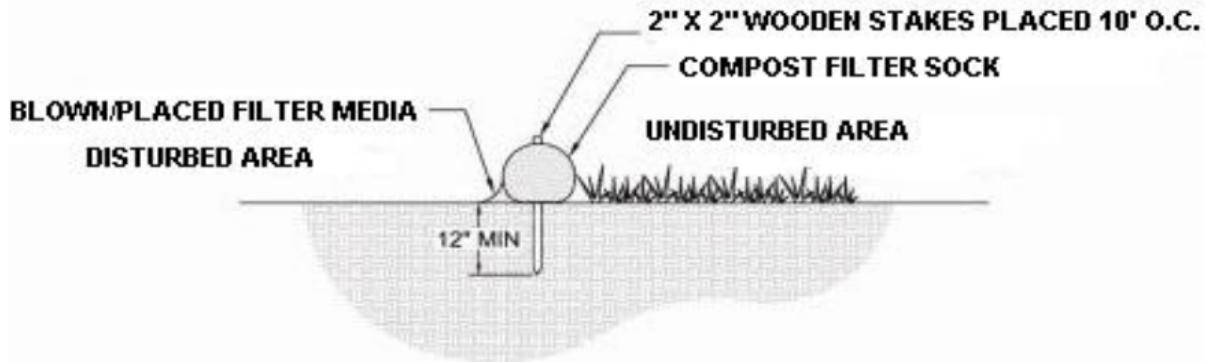


| MILEPOST | DIAMETER (IN) | LOCATION | SLOPE PERCENT | SLOPE LENGTH ABOVE BARRIER (FT) |
|----------|---------------|-----------------|---------------|---------------------------------|
| | | APPROX. STATION | | |
| 30.8R2 | 12 | 1627+19 | 9 | 52 |
| 30.8R2 | 12 | 1627+45 | 9 | 73 |
| 30.8R2 | 12 | 1627+73 | 10 | 93 |
| 30.8R2 | 18 | 1627+99 | 11 | 113 |
| 30.8R2 | 12 | 1628+28 | 12 | 25 |
| 30.8R2 | 12 | 1628+49 | 11 | 49 |
| 30.8R2 | 12 | 1628+73 | 11 | 69 |
| 30.9R2 | 12 | 1628+98 | 11 | 92 |
| 30.9R2 | 18 | 1629+21 | 11 | 104 |
| 30.9R2 | 12 | 1629+43 | 11 | 51 |
| 30.9R2 | 12 | 1629+80 | 12 | 23 |
| 30.9R2 | 12 | 1630+02 | 13 | 18 |
| 30.9R2 | 12 | 1631+03 | 4 | 44 |
| 30.9R2 | 12 | 1631+48 | 4 | 33 |
| 30.9R2 | 12 | 1632+54 | 4 | 184 |
| 30.9R2 | 12 | 1633+04 | 4 | 90 |
| 30.9R2 | 12 | 1633+44 | 5 | 43 |
| 31.0R2 | 12 | 1634+64 | 4 | 63 |
| 31.0R2 | 12 | 1635+10 | 3 | 125 |
| 31.0R2 | 12 | 1635+56 | 3 | 188 |
| 31.0R2 | 12 | 1635+98 | 3 | 233 |
| 31.0R2 | 12 | 1636+14 | 3 | 19 |
| 31.0R2 | 12 | 1636+57 | 3 | 51 |
| 31.3R2 | 12 | 1653+46 | 3 | 67 |
| 31.3R2 | 12 | 1653+54 | 2 | 40 |
| 31.3R2 | 18 | 1654+37 | 3 | 273 |

STANDARD E&S WORKSHEET #1

Compost Filter Socks

| | | |
|--------------------|---------------------------|---------------|
| PROJECT NAME: | PENNEAST PIPELINE PROJECT | |
| LOCATION: | CARBON COUNTY | |
| PROJECT COMPONENT: | MAINLINE | |
| PREPARED BY: | KEK / JMB | DATE: 10/2019 |
| CHECKED BY: | MDN | DATE: 10/2019 |

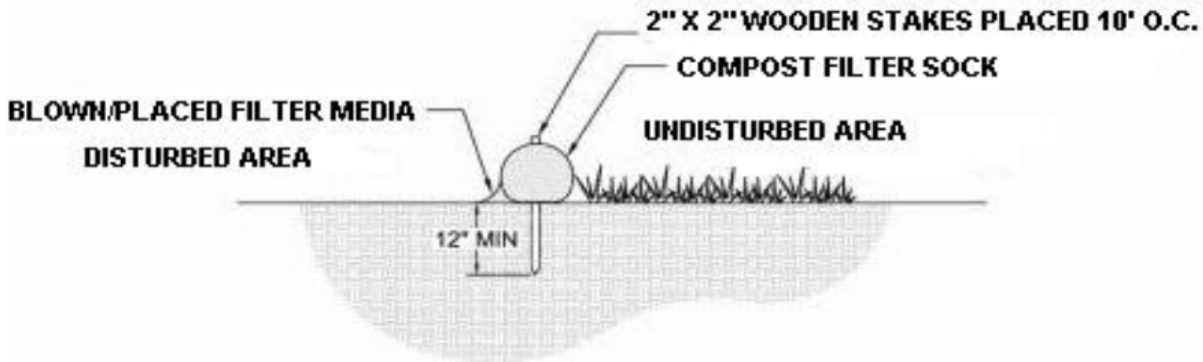


| MILEPOST | DIAMETER (IN) | LOCATION | SLOPE PERCENT | SLOPE LENGTH ABOVE BARRIER (FT) |
|----------|---------------|-----------------|---------------|---------------------------------|
| | | APPROX. STATION | | |
| 31.3R2 | 12 | 1654+44 | 3 | 237 |
| 31.3R2 | 12 | 1654+44 | 3 | 244 |
| 31.3R2 | 12 | 1654+99 | 4 | 194 |
| 31.4R2 | 12 | 1655+31 | 4 | 127 |
| 31.4R2 | 12 | 1655+78 | 3 | 73 |
| 31.4R2 | 12 | 1657+47 | 2 | 180 |
| 31.4R2 | 12 | 1659+57 | 2 | 62 |
| 31.4R2 | 12 | 1659+66 | 1 | 182 |
| 31.5R2 | 12 | 1662+04 | 0 | 54 |
| 31.5R2 | 12 | 1662+36 | 0 | 13 |
| 31.5R2 | 12 | 1662+81 | 2 | 77 |
| 31.5R2 | 12 | 1663+12 | 2 | 69 |
| 31.5R2 | 12 | 1663+88 | 1 | 18 |
| 31.5R2 | 12 | 1664+18 | 0 | 84 |
| 31.5R2 | 12 | 1665+50 | 2 | 79 |
| 31.6R2 | 12 | 1666+64 | 2 | 86 |
| 31.6R2 | 12 | 1667+68 | 4 | 66 |
| 31.6R2 | 12 | 1668+01 | 3 | 96 |
| 31.6R2 | 12 | 1668+94 | 4 | 51 |
| 31.6R2 | 12 | 1669+54 | 4 | 99 |
| 31.6R2 | 12 | 1671+05 | 4 | 97 |
| 31.7R2 | 12 | 1672+34 | 4 | 93 |
| 31.7R2 | 12 | 1673+56 | 4 | 93 |
| 31.7R2 | 12 | 1675+22 | 5 | 70 |
| 31.7R2 | 12 | 1676+02 | 4 | 47 |
| 31.8R2 | 12 | 1676+78 | 5 | 71 |

STANDARD E&S WORKSHEET #1

Compost Filter Socks

| | | |
|--------------------|---------------------------|---------------|
| PROJECT NAME: | PENNEAST PIPELINE PROJECT | |
| LOCATION: | CARBON COUNTY | |
| PROJECT COMPONENT: | MAINLINE | |
| PREPARED BY: | KEK / JMB | DATE: 10/2019 |
| CHECKED BY: | MDN | DATE: 10/2019 |

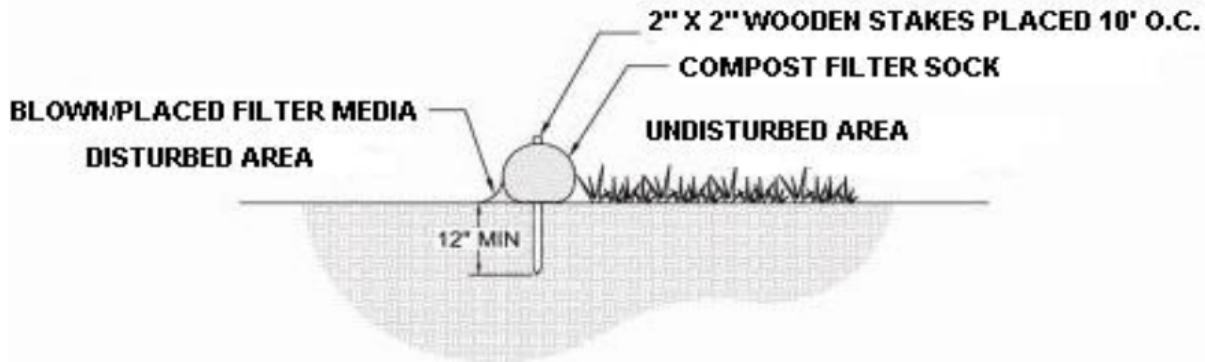


| MILEPOST | DIAMETER (IN) | LOCATION | SLOPE PERCENT | SLOPE LENGTH ABOVE BARRIER (FT) |
|----------|---------------|-----------------|---------------|---------------------------------|
| | | APPROX. STATION | | |
| 31.8R2 | 12 | 1678+70 | 4 | 44 |
| 31.8R2 | 12 | 1679+64 | 3 | 58 |
| 31.8R2 | 12 | 1680+57 | 2 | 23 |
| 31.8R2 | 12 | 1680+98 | 2 | 63 |
| 31.9R2 | 12 | 1681+74 | 2 | 139 |
| 31.9R2 | 12 | 1682+26 | 2 | 178 |
| 31.9R2 | 12 | 1682+55 | 2 | 198 |
| 31.9R2 | 12 | 1682+86 | 2 | 30 |
| 31.9R2 | 12 | 1683+24 | 2 | 65 |
| 31.9R2 | 12 | 1683+64 | 2 | 103 |
| 31.9R2 | 12 | 1684+09 | 2 | 165 |
| 31.9R2 | 12 | 1684+53 | 2 | 209 |
| 31.9R2 | 18 | 1684+97 | 2 | 278 |
| 32.0R2 | 12 | 1687+45 | 2 | 184 |
| 32.0R2 | 12 | 1687+74 | 2 | 187 |
| 32.0R2 | 18 | 1688+22 | 2 | 267 |
| 32.0R2 | 12 | 1688+47 | 2 | 72 |
| 32.0R2 | 12 | 1689+15 | 2 | 135 |
| 32.0R2 | 12 | 1689+44 | 3 | 137 |
| 32.0R2 | 12 | 1690+34 | 2 | 248 |
| 32.0R2 | 18 | 1690+76 | 2 | 304 |
| 32.0R2 | 12 | 1691+48 | 2 | 83 |
| 32.1R2 | 12 | 1695+18 | 2 | 125 |
| 32.1R2 | 12 | 1695+77 | 2 | 183 |
| 32.1R2 | 12 | 1696+22 | 3 | 33 |
| 32.1R2 | 12 | 1697+07 | 3 | 112 |

STANDARD E&S WORKSHEET #1

Compost Filter Socks

| | | |
|--------------------|---------------------------|---------------|
| PROJECT NAME: | PENNEAST PIPELINE PROJECT | |
| LOCATION: | CARBON COUNTY | |
| PROJECT COMPONENT: | MAINLINE | |
| PREPARED BY: | KEK / JMB | DATE: 10/2019 |
| CHECKED BY: | MDN | DATE: 10/2019 |

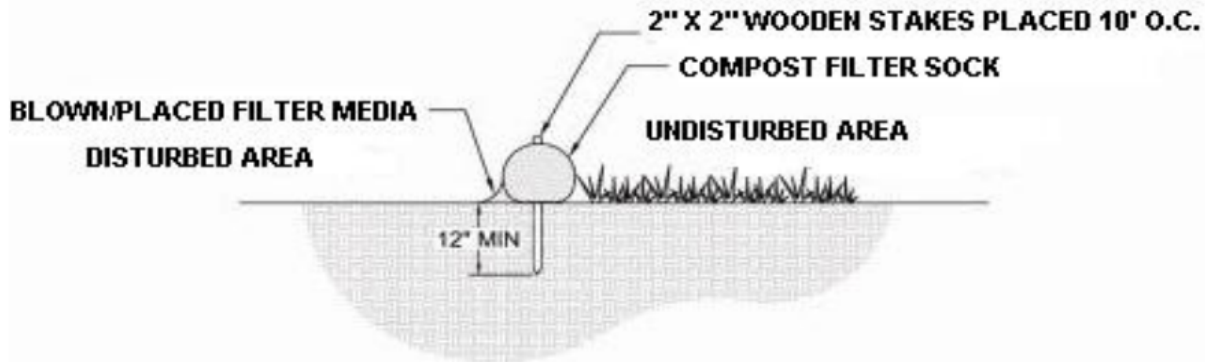


| MILEPOST | DIAMETER (IN) | LOCATION | SLOPE PERCENT | SLOPE LENGTH ABOVE BARRIER (FT) |
|----------|---------------|-----------------|---------------|---------------------------------|
| | | APPROX. STATION | | |
| 32.1R2 | 12 | 1697+34 | 3 | 135 |
| 32.2R2 | 12 | 1698+20 | 3 | 214 |
| 32.2R2 | 12 | 1699+28 | 3 | 80 |
| 32.2R2 | 12 | 1699+83 | 3 | 127 |
| 32.2R2 | 12 | 1700+43 | 3 | 177 |
| 32.2R2 | 12 | 1700+74 | 3 | 203 |
| 32.3R2 | 12 | 1703+52 | 2 | 76 |
| 32.3R2 | 12 | 1704+72 | 4 | 104 |
| 32.3R2 | 12 | 1705+25 | 4 | 159 |
| 32.3R2 | 12 | 1705+49 | 4 | 26 |
| 32.3R2 | 12 | 1706+06 | 4 | 94 |
| 32.3R2 | 12 | 1706+90 | 3 | 194 |
| 32.3R2 | 12 | 1707+76 | 3 | 102 |
| 32.4R2 | 12 | 1708+58 | 3 | 160 |
| 32.4R2 | 12 | 1708+67 | 3 | 200 |
| 32.4R2 | 12 | 1709+02 | 3 | 242 |
| 32.4R2 | 12 | 1710+62 | 2 | 74 |
| 32.4R2 | 12 | 1711+30 | 3 | 64 |
| 32.4R2 | 12 | 1712+77 | 3 | 91 |
| 32.4R2 | 12 | 1712+97 | 4 | 77 |
| 32.4R2 | 12 | 1713+04 | 3 | 118 |
| 32.5R2 | 12 | 1713+55 | 4 | 168 |
| 32.5R2 | 12 | 1714+95 | 1 | 124 |
| 32.5R2 | 12 | 1716+18 | 2 | 48 |
| 32.5R2 | 12 | 1716+82 | 2 | 106 |
| 32.5R2 | 12 | 1717+68 | 2 | 19 |

STANDARD E&S WORKSHEET #1

Compost Filter Socks

| | | |
|--------------------|---------------------------|---------------|
| PROJECT NAME: | PENNEAST PIPELINE PROJECT | |
| LOCATION: | CARBON COUNTY | |
| PROJECT COMPONENT: | MAINLINE | |
| PREPARED BY: | KEK / JMB | DATE: 10/2019 |
| CHECKED BY: | MDN | DATE: 10/2019 |

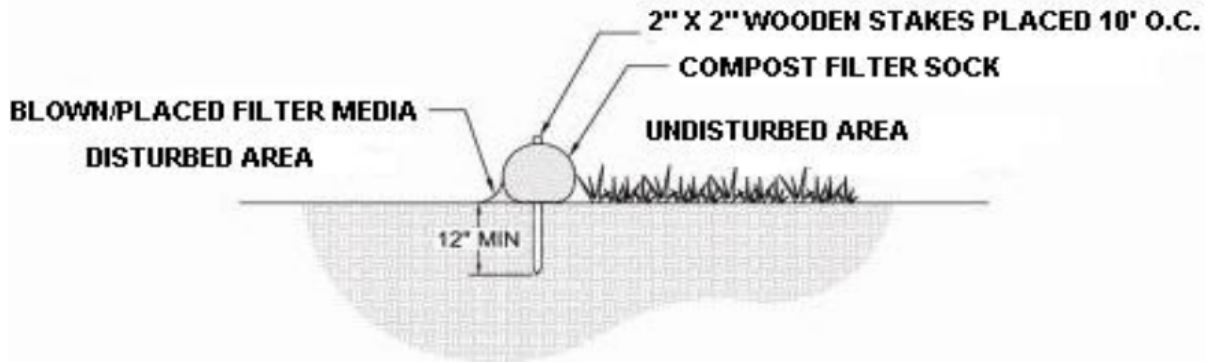


| MILEPOST | DIAMETER (IN) | LOCATION | SLOPE PERCENT | SLOPE LENGTH ABOVE BARRIER (FT) |
|----------|---------------|-----------------|---------------|---------------------------------|
| | | APPROX. STATION | | |
| 32.5R2 | 12 | 1718+36 | 3 | 38 |
| 32.5R2 | 12 | 1718+47 | 3 | 52 |
| 32.5R2 | 12 | 1718+56 | 3 | 68 |
| 32.6R3 | 12 | 1718+91 | 2 | 112 |
| 32.6R3 | 12 | 1720+12 | 2 | 45 |
| 32.6R3 | 12 | 1722+97 | 1 | 215 |
| 32.7R3 | 12 | 1725+94 | 2 | 230 |
| 32.7R3 | 18 | 1726+57 | 2 | 313 |
| 32.7R3 | 12 | 1727+10 | 3 | 48 |
| 32.7R3 | 12 | 1727+98 | 3 | 145 |
| 32.7R3 | 12 | 1728+47 | 3 | 208 |
| 32.7R3 | 12 | 1728+80 | 2 | 248 |
| 32.8R3 | 12 | 1729+73 | 2 | 99 |
| 32.8R3 | 12 | 1730+09 | 3 | 91 |
| 32.8R3 | 12 | 1730+46 | 2 | 173 |
| 32.8R3 | 12 | 1730+69 | 2 | 201 |
| 32.8R3 | 12 | 1731+12 | 4 | 89 |
| 32.8R3 | 12 | 1732+30 | 2 | 114 |
| 32.8R3 | 12 | 1732+74 | 3 | 157 |
| 32.8R3 | 12 | 1733+62 | 4 | 80 |
| 32.8R3 | 12 | 1734+16 | 3 | 139 |
| 32.8R3 | 12 | 1734+32 | 4 | 150 |
| 32.9R3 | 12 | 1734+56 | 6 | 21 |
| 32.9R3 | 12 | 1734+67 | 2 | 78 |
| 32.9R3 | 12 | 1734+68 | 8 | 18 |
| 32.9R3 | 12 | 1734+75 | 1 | 32 |

STANDARD E&S WORKSHEET #1

Compost Filter Socks

| | | |
|--------------------|---------------------------|---------------|
| PROJECT NAME: | PENNEAST PIPELINE PROJECT | |
| LOCATION: | CARBON COUNTY | |
| PROJECT COMPONENT: | MAINLINE | |
| PREPARED BY: | KEK / JMB | DATE: 10/2019 |
| CHECKED BY: | MDN | DATE: 10/2019 |

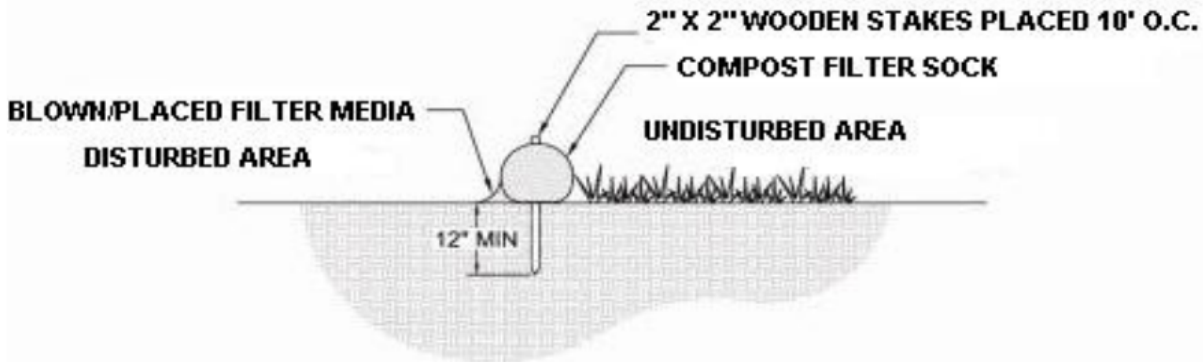


| MILEPOST | DIAMETER (IN) | LOCATION | SLOPE PERCENT | SLOPE LENGTH ABOVE BARRIER (FT) |
|----------|---------------|-----------------|---------------|---------------------------------|
| | | APPROX. STATION | | |
| 32.9R3 | 12 | 1736+49 | 6 | 72 |
| 32.9R3 | 12 | 1736+66 | 6 | 85 |
| 32.9R3 | 12 | 1736+95 | 7 | 112 |
| 32.9R3 | 12 | 1737+84 | 5 | 23 |
| 32.9R3 | 12 | 1738+17 | 5 | 103 |
| 33.0R3 | 12 | 1739+80 | 6 | 92 |
| 33.0R3 | 12 | 1740+17 | 5 | 74 |
| 33.0R3 | 12 | 1741+39 | 4 | 67 |
| 33.0R3 | 12 | 1741+68 | 4 | 85 |
| 33.0R3 | 12 | 1742+09 | 6 | 20 |
| 33.0R3 | 12 | 1742+67 | 6 | 75 |
| 33.0R3 | 12 | 1742+97 | 5 | 102 |
| 33.0R3 | 12 | 1743+39 | 7 | 20 |
| 33.0R3 | 12 | 1743+74 | 7 | 53 |
| 33.0R3 | 12 | 1744+10 | 6 | 86 |
| 33.0R3 | 12 | 1744+51 | 6 | 124 |
| 33.0R3 | 12 | 1745+01 | 6 | 26 |
| 33.1R3 | 12 | 1745+36 | 6 | 59 |
| 33.1R3 | 12 | 1745+71 | 6 | 91 |
| 33.1R3 | 12 | 1746+03 | 6 | 121 |
| 33.1R3 | 12 | 1746+36 | 6 | 21 |
| 33.1R3 | 12 | 1746+70 | 6 | 53 |
| 33.1R3 | 12 | 1747+04 | 6 | 86 |
| 33.1R3 | 12 | 1747+37 | 6 | 119 |
| 33.1R3 | 12 | 1747+80 | 7 | 21 |
| 33.1R3 | 12 | 1748+08 | 7 | 49 |

STANDARD E&S WORKSHEET #1

Compost Filter Socks

| | | | |
|--------------------|---------------------------|-------|---------|
| PROJECT NAME: | PENNEAST PIPELINE PROJECT | | |
| LOCATION: | CARBON COUNTY | | |
| PROJECT COMPONENT: | MAINLINE | | |
| PREPARED BY: | KEK / JMB | DATE: | 10/2019 |
| CHECKED BY: | MDN | DATE: | 10/2019 |

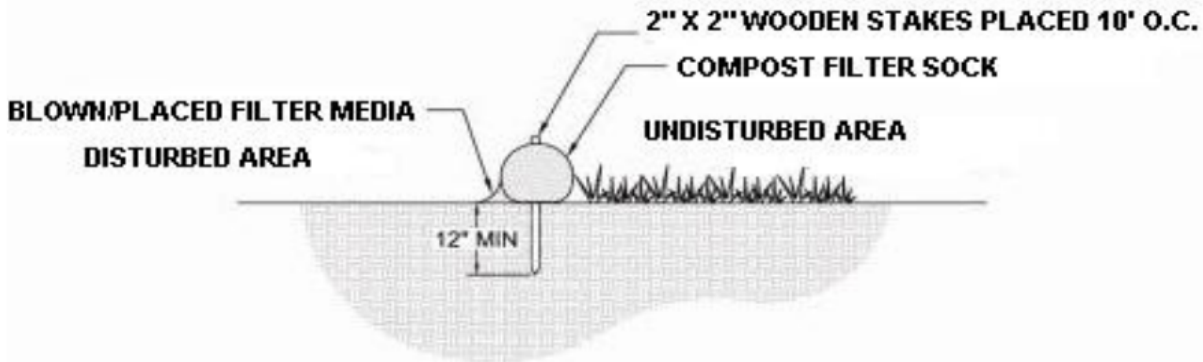


| MILEPOST | DIAMETER (IN) | LOCATION | SLOPE PERCENT | SLOPE LENGTH ABOVE BARRIER (FT) |
|----------|---------------|-----------------|---------------|---------------------------------|
| | | APPROX. STATION | | |
| 33.1R3 | 12 | 1748+43 | 7 | 101 |
| 33.1R3 | 12 | 1748+70 | 7 | 129 |
| 33.1R3 | 12 | 1749+14 | 7 | 34 |
| 33.1R3 | 12 | 1749+47 | 7 | 64 |
| 33.1R3 | 12 | 1750+10 | 6 | 122 |
| 33.1R3 | 12 | 1750+28 | 6 | 140 |
| 33.2R3 | 12 | 1750+70 | 8 | 31 |
| 33.2R3 | 12 | 1750+94 | 8 | 54 |
| 33.2R3 | 12 | 1751+21 | 10 | 76 |
| 33.2R3 | 24 | 1753+38 | 34 | 66 |
| 33.2R3 | 24 | 1753+39 | 36 | 73 |
| 33.2R3 | 12 | 1753+81 | 2 | 73 |
| 33.2R3 | 12 | 1753+88 | 5 | 30 |
| 33.2R3 | 12 | 1754+33 | 3 | 23 |
| 33.2R3 | 12 | 1754+34 | 6 | 12 |
| 33.2R3 | 12 | 1754+47 | 11 | 14 |
| 33.2R3 | 12 | 1754+47 | 11 | 15 |
| 33.3R3 | 12 | 1756+81 | 9 | 118 |
| 33.3R3 | 12 | 1757+34 | 8 | 83 |
| 33.3R3 | 12 | 1757+57 | 8 | 59 |
| 33.3R3 | 12 | 1757+84 | 8 | 32 |
| 33.3R3 | 12 | 1759+94 | 9 | 79 |
| 33.3R3 | 12 | 1760+05 | 7 | 97 |
| 33.3R3 | 12 | 1760+33 | 6 | 72 |
| 33.4R3 | 12 | 1761+06 | 7 | 39 |
| 33.4R3 | 12 | 1761+36 | 6 | 18 |

STANDARD E&S WORKSHEET #1

Compost Filter Socks

| | | | |
|--------------------|---------------------------|-------|---------|
| PROJECT NAME: | PENNEAST PIPELINE PROJECT | | |
| LOCATION: | CARBON COUNTY | | |
| PROJECT COMPONENT: | MAINLINE | | |
| PREPARED BY: | KEK / JMB | DATE: | 10/2019 |
| CHECKED BY: | MDN | DATE: | 10/2019 |

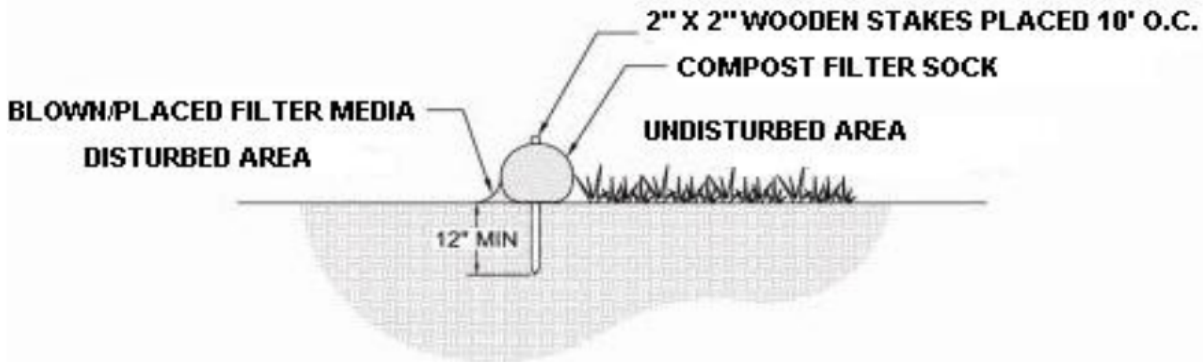


| MILEPOST | DIAMETER (IN) | LOCATION | SLOPE PERCENT | SLOPE LENGTH ABOVE BARRIER (FT) |
|----------|---------------|-----------------|---------------|---------------------------------|
| | | APPROX. STATION | | |
| 33.4R3 | 12 | 1761+62 | 8 | 140 |
| 33.4R3 | 12 | 1761+73 | 7 | 136 |
| 33.4R3 | 12 | 1761+89 | 9 | 90 |
| 33.4R3 | 12 | 1762+31 | 9 | 41 |
| 33.4R3 | 12 | 1762+66 | 10 | 9 |
| 33.4R3 | 12 | 1762+87 | 10 | 131 |
| 33.4R3 | 12 | 1763+07 | 10 | 110 |
| 33.4R3 | 12 | 1763+27 | 10 | 90 |
| 33.4R3 | 12 | 1763+45 | 10 | 72 |
| 33.4R3 | 12 | 1763+64 | 9 | 54 |
| 33.4R3 | 12 | 1763+84 | 9 | 34 |
| 33.4R3 | 12 | 1764+04 | 9 | 13 |
| 33.4R3 | 12 | 1764+33 | 10 | 131 |
| 33.4R3 | 12 | 1764+59 | 10 | 106 |
| 33.4R3 | 12 | 1764+86 | 10 | 80 |
| 33.4R3 | 12 | 1765+13 | 10 | 54 |
| 33.4R3 | 12 | 1765+39 | 10 | 29 |
| 33.4R3 | 12 | 1765+59 | 10 | 11 |
| 33.4R3 | 12 | 1765+84 | 10 | 124 |
| 33.5R3 | 12 | 1766+40 | 9 | 60 |
| 33.5R3 | 12 | 1766+53 | 8 | 43 |
| 33.5R3 | 12 | 1766+63 | 9 | 39 |
| 33.5R3 | 12 | 1766+87 | 8 | 15 |
| 33.5R3 | 12 | 1767+17 | 9 | 63 |
| 33.5R3 | 12 | 1767+46 | 9 | 37 |
| 33.5R3 | 12 | 1767+70 | 9 | 14 |

STANDARD E&S WORKSHEET #1

Compost Filter Socks

| | | |
|--------------------|---------------------------|---------------|
| PROJECT NAME: | PENNEAST PIPELINE PROJECT | |
| LOCATION: | CARBON COUNTY | |
| PROJECT COMPONENT: | MAINLINE | |
| PREPARED BY: | KEK / JMB | DATE: 10/2019 |
| CHECKED BY: | MDN | DATE: 10/2019 |

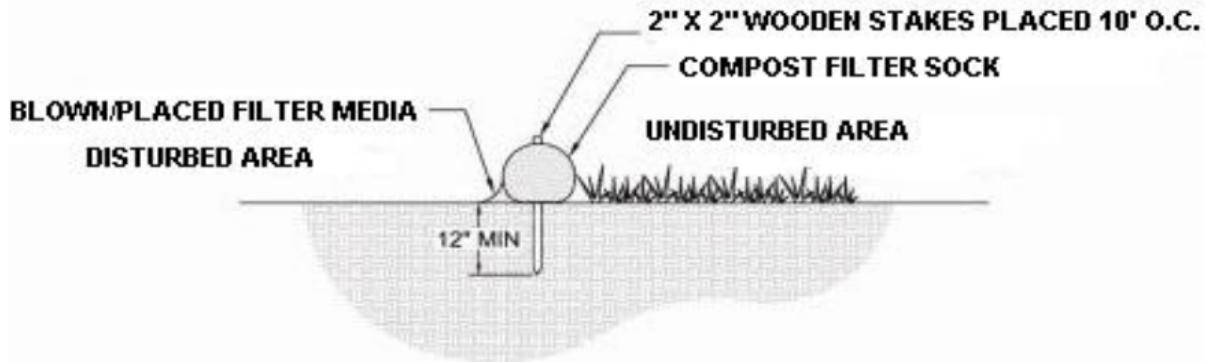


| MILEPOST | DIAMETER (IN) | LOCATION | SLOPE PERCENT | SLOPE LENGTH ABOVE BARRIER (FT) |
|----------|---------------|-----------------|---------------|---------------------------------|
| | | APPROX. STATION | | |
| 33.5R3 | 12 | 1768+36 | 8 | 48 |
| 33.5R3 | 12 | 1768+52 | 5 | 60 |
| 33.5R3 | 12 | 1768+61 | 7 | 40 |
| 33.5R3 | 12 | 1768+84 | 6 | 13 |
| 33.5R3 | 12 | 1769+03 | 4 | 221 |
| 33.5R3 | 12 | 1769+17 | 3 | 199 |
| 33.5R3 | 12 | 1769+28 | 3 | 194 |
| 33.5R3 | 12 | 1769+84 | 4 | 128 |
| 33.5R3 | 12 | 1770+01 | 4 | 96 |
| 33.5R3 | 12 | 1770+20 | 5 | 72 |
| 33.5R3 | 12 | 1770+39 | 4 | 76 |
| 33.5R3 | 12 | 1770+70 | 5 | 19 |
| 33.5R3 | 12 | 1770+84 | 4 | 32 |
| 33.5R3 | 18 | 1771+05 | 4 | 277 |
| 33.5R3 | 12 | 1771+30 | 4 | 230 |
| 33.6R3 | 12 | 1771+60 | 4 | 226 |
| 33.6R3 | 12 | 1771+74 | 5 | 182 |
| 33.6R3 | 12 | 1772+26 | 4 | 164 |
| 33.6R3 | 12 | 1772+56 | 6 | 96 |
| 33.6R3 | 12 | 1772+87 | 5 | 64 |
| 33.6R3 | 12 | 1772+89 | 3 | 108 |
| 33.6R3 | 12 | 1773+12 | 5 | 35 |
| 33.6R3 | 12 | 1773+45 | 4 | 65 |
| 33.6R3 | 12 | 1774+14 | 5 | 94 |
| 33.7R3 | 12 | 1778+42 | 7 | 70 |
| 33.7R3 | 12 | 1779+30 | 7 | 109 |

STANDARD E&S WORKSHEET #1

Compost Filter Socks

| | | | |
|--------------------|---------------------------|-------|---------|
| PROJECT NAME: | PENNEAST PIPELINE PROJECT | | |
| LOCATION: | CARBON COUNTY | | |
| PROJECT COMPONENT: | MAINLINE | | |
| PREPARED BY: | KEK / JMB | DATE: | 10/2019 |
| CHECKED BY: | MDN | DATE: | 10/2019 |

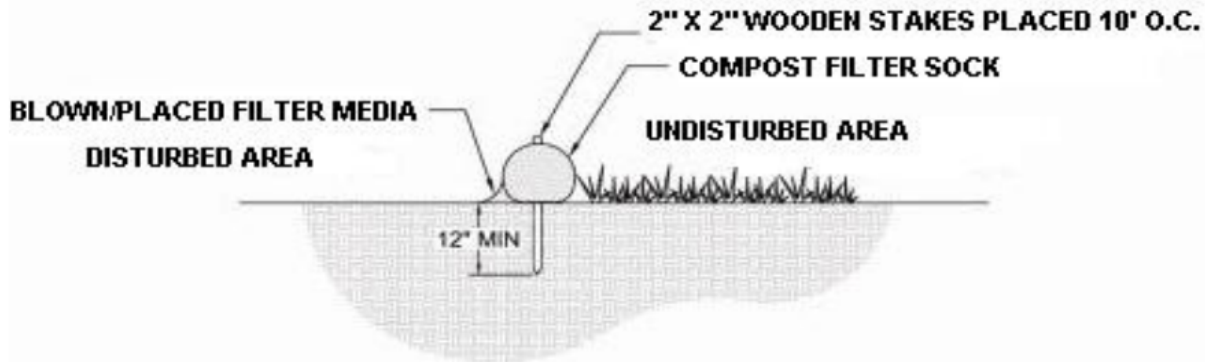


| MILEPOST | DIAMETER (IN) | LOCATION | SLOPE PERCENT | SLOPE LENGTH ABOVE BARRIER (FT) |
|----------|---------------|-----------------|---------------|---------------------------------|
| | | APPROX. STATION | | |
| 33.7R3 | 12 | 1779+89 | 8 | 49 |
| 33.7R3 | 12 | 1780+20 | 9 | 17 |
| 33.8R3 | 12 | 1782+14 | 6 | 89 |
| 33.8R3 | 12 | 1782+46 | 6 | 57 |
| 33.8R3 | 12 | 1782+84 | 6 | 20 |
| 33.8R3 | 12 | 1783+25 | 5 | 131 |
| 33.8R3 | 12 | 1783+65 | 6 | 92 |
| 33.8R3 | 12 | 1784+09 | 6 | 49 |
| 33.8R3 | 12 | 1784+42 | 7 | 16 |
| 33.8R3 | 12 | 1784+76 | 6 | 128 |
| 33.8R3 | 12 | 1785+08 | 6 | 97 |
| 33.8R3 | 12 | 1785+42 | 6 | 63 |
| 33.8R3 | 12 | 1785+79 | 7 | 26 |
| 33.8R3 | 12 | 1786+37 | 6 | 101 |
| 33.8R3 | 12 | 1786+73 | 6 | 66 |
| 33.8R3 | 12 | 1787+09 | 6 | 31 |
| 33.9R3 | 12 | 1787+99 | 9 | 101 |
| 33.9R3 | 12 | 1788+29 | 9 | 74 |
| 33.9R3 | 12 | 1788+56 | 9 | 50 |
| 33.9R3 | 12 | 1788+85 | 10 | 23 |
| 33.9R3 | 18 | 1789+28 | 13 | 113 |
| 33.9R3 | 12 | 1789+50 | 13 | 95 |
| 33.9R3 | 12 | 1789+72 | 13 | 79 |
| 33.9R3 | 12 | 1789+96 | 13 | 62 |
| 33.9R3 | 12 | 1790+20 | 14 | 47 |
| 33.9R3 | 12 | 1790+41 | 15 | 32 |

STANDARD E&S WORKSHEET #1

Compost Filter Socks

| | | | |
|--------------------|---------------------------|-------|---------|
| PROJECT NAME: | PENNEAST PIPELINE PROJECT | | |
| LOCATION: | CARBON COUNTY | | |
| PROJECT COMPONENT: | MAINLINE | | |
| PREPARED BY: | KEK / JMB | DATE: | 10/2019 |
| CHECKED BY: | MDN | DATE: | 10/2019 |

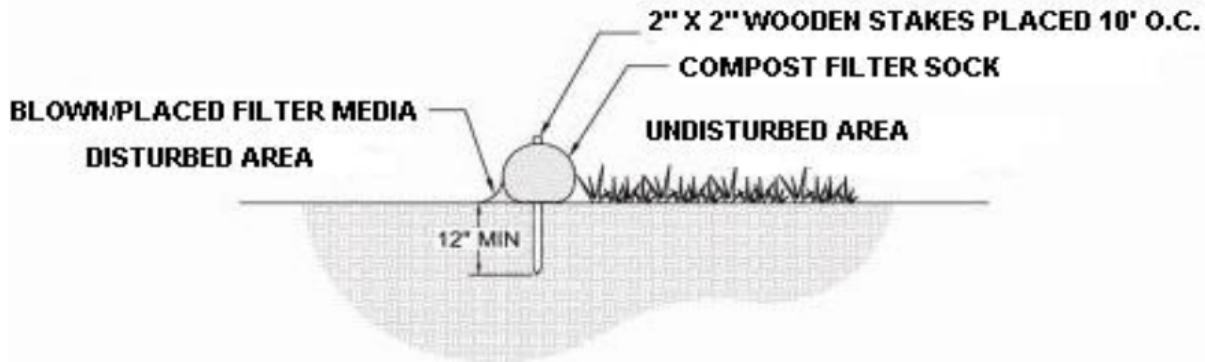


| MILEPOST | DIAMETER (IN) | LOCATION | SLOPE PERCENT | SLOPE LENGTH ABOVE BARRIER (FT) |
|----------|---------------|-----------------|---------------|---------------------------------|
| | | APPROX. STATION | | |
| 33.9R3 | 12 | 1790+62 | 16 | 14 |
| 33.9R3 | 18 | 1790+89 | 16 | 100 |
| 33.9R3 | 18 | 1791+04 | 16 | 88 |
| 33.9R3 | 12 | 1791+27 | 15 | 69 |
| 33.9R3 | 12 | 1791+51 | 15 | 52 |
| 33.9R3 | 12 | 1791+73 | 14 | 35 |
| 33.9R3 | 12 | 1791+96 | 13 | 19 |
| 33.9R3 | 12 | 1792+34 | 14 | 98 |
| 33.9R3 | 12 | 1792+51 | 15 | 83 |
| 34.0R3 | 12 | 1792+68 | 15 | 68 |
| 34.0R3 | 12 | 1792+83 | 14 | 55 |
| 34.0R3 | 12 | 1792+98 | 15 | 41 |
| 34.0R3 | 12 | 1793+15 | 15 | 26 |
| 34.0R3 | 12 | 1793+33 | 15 | 11 |
| 34.0R3 | 18 | 1793+55 | 14 | 125 |
| 34.0R3 | 18 | 1793+72 | 14 | 109 |
| 34.0R3 | 12 | 1793+90 | 15 | 93 |
| 34.0R3 | 12 | 1794+08 | 15 | 77 |
| 34.0R3 | 12 | 1794+26 | 16 | 60 |
| 34.0R3 | 12 | 1794+43 | 16 | 45 |
| 34.0R3 | 12 | 1794+59 | 16 | 29 |
| 34.0R3 | 18 | 1795+06 | 16 | 126 |
| 34.0R3 | 18 | 1795+22 | 16 | 113 |
| 34.0R3 | 18 | 1795+41 | 16 | 99 |
| 34.0R3 | 18 | 1795+62 | 17 | 83 |
| 34.0R3 | 12 | 1795+84 | 18 | 69 |

STANDARD E&S WORKSHEET #1

Compost Filter Socks

| | | | |
|--------------------|---------------------------|-------|---------|
| PROJECT NAME: | PENNEAST PIPELINE PROJECT | | |
| LOCATION: | CARBON COUNTY | | |
| PROJECT COMPONENT: | MAINLINE | | |
| PREPARED BY: | KEK / JMB | DATE: | 10/2019 |
| CHECKED BY: | MDN | DATE: | 10/2019 |

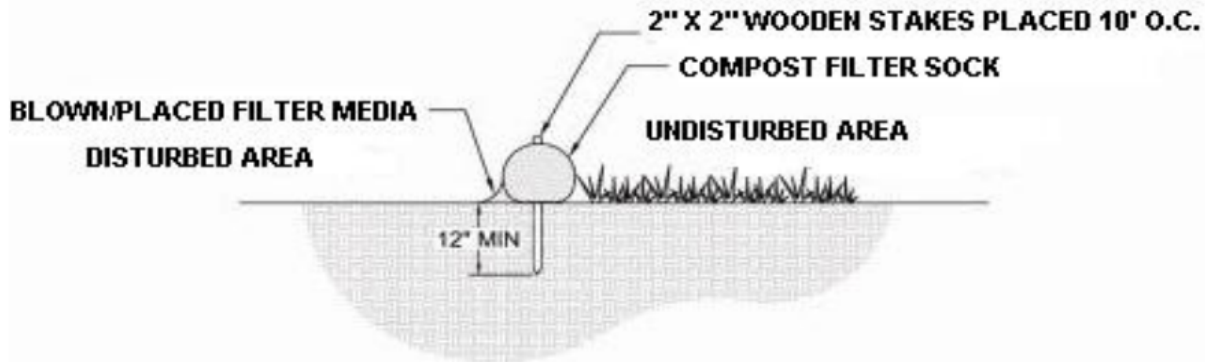


| MILEPOST | DIAMETER (IN) | LOCATION | SLOPE PERCENT | SLOPE LENGTH ABOVE BARRIER (FT) |
|----------|---------------|-----------------|---------------|---------------------------------|
| | | APPROX. STATION | | |
| 34.0R3 | 12 | 1796+04 | 19 | 54 |
| 34.0R3 | 12 | 1796+22 | 19 | 41 |
| 34.0R3 | 12 | 1796+44 | 19 | 23 |
| 34.0R3 | 18 | 1796+88 | 12 | 113 |
| 34.0R3 | 12 | 1797+38 | 16 | 63 |
| 34.0R3 | 12 | 1797+57 | 18 | 47 |
| 34.0R3 | 12 | 1797+77 | 20 | 31 |
| 34.1R3 | 12 | 1797+97 | 21 | 23 |
| 34.1R3 | 12 | 1798+20 | 18 | 10 |
| 34.1R3 | 12 | 1798+57 | 14 | 82 |
| 34.1R3 | 12 | 1798+77 | 15 | 63 |
| 34.1R3 | 12 | 1799+23 | 19 | 26 |
| 34.1R3 | 12 | 1799+45 | 20 | 14 |
| 34.1R3 | 12 | 1799+77 | 13 | 74 |
| 34.1R3 | 12 | 1799+94 | 14 | 66 |
| 34.1R3 | 12 | 1800+37 | 16 | 42 |
| 34.1R3 | 12 | 1800+58 | 16 | 33 |
| 34.1R3 | 12 | 1800+95 | 16 | 22 |
| 34.1R3 | 32 | 1801+61 | 9 | 357 |
| 34.1R3 | 12 | 1802+83 | 31 | 10 |
| 34.1R3 | 12 | 1802+95 | 29 | 15 |
| 34.2R3 | 12 | 1803+19 | 32 | 26 |
| 34.2R3 | 12 | 1803+42 | 33 | 33 |
| 34.2R3 | 18 | 1803+58 | 32 | 42 |
| 34.2R3 | 18 | 1803+81 | 32 | 51 |
| 34.2R3 | 18 | 1803+97 | 31 | 56 |

STANDARD E&S WORKSHEET #1

Compost Filter Socks

| | | | |
|--------------------|---------------------------|-------|---------|
| PROJECT NAME: | PENNEAST PIPELINE PROJECT | | |
| LOCATION: | CARBON COUNTY | | |
| PROJECT COMPONENT: | MAINLINE | | |
| PREPARED BY: | KEK / JMB | DATE: | 10/2019 |
| CHECKED BY: | MDN | DATE: | 10/2019 |

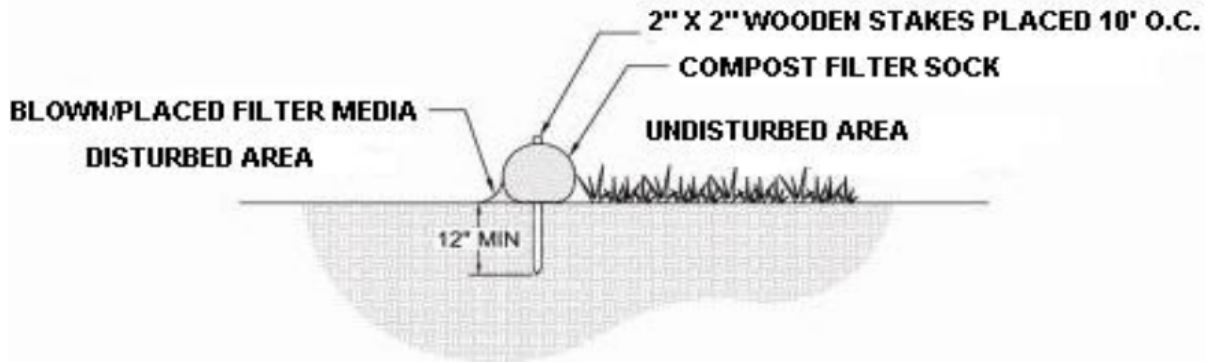


| MILEPOST | DIAMETER (IN) | LOCATION | SLOPE PERCENT | SLOPE LENGTH ABOVE BARRIER (FT) |
|----------|---------------|-----------------|---------------|---------------------------------|
| | | APPROX. STATION | | |
| 34.2R3 | 24 | 1804+14 | 31 | 63 |
| 34.2R3 | 24 | 1804+29 | 30 | 71 |
| 34.2R3 | 24 | 1804+44 | 29 | 77 |
| 34.2R3 | 12 | 1805+65 | 10 | 57 |
| 34.2R3 | 12 | 1805+97 | 10 | 67 |
| 34.2R3 | 12 | 1806+53 | 6 | 38 |
| 34.2R3 | 12 | 1807+43 | 2 | 92 |
| 34.2R3 | 12 | 1807+70 | 4 | 127 |
| 34.2R3 | 12 | 1808+23 | 3 | 171 |
| 34.3R3 | 12 | 1808+49 | 3 | 206 |
| 34.3R3 | 12 | 1808+58 | 3 | 211 |
| 34.3R3 | 12 | 1809+09 | 2 | 29 |
| 34.3R3 | 18 | 1809+49 | 3 | 312 |
| 34.3R3 | 12 | 1810+10 | 1 | 87 |
| 34.3R3 | 12 | 1810+22 | 1 | 112 |
| 34.3R3 | 12 | 1810+75 | 1 | 154 |
| 34.3R3 | 12 | 1811+34 | 1 | 220 |
| 34.3R3 | 12 | 1813+28 | 4 | 38 |
| 34.4R3 | 12 | 1814+28 | 5 | 64 |
| 34.4R3 | 12 | 1814+49 | 5 | 10 |
| 34.4R3 | 12 | 1815+32 | 7 | 45 |
| 34.4R3 | 12 | 1815+99 | 8 | 83 |
| 34.4R3 | 12 | 1816+43 | 8 | 102 |
| 34.4R3 | 12 | 1816+63 | 4 | 15 |
| 34.4R3 | 12 | 1817+40 | 4 | 88 |
| 34.4R3 | 12 | 1817+94 | 4 | 139 |

STANDARD E&S WORKSHEET #1

Compost Filter Socks

| | | | |
|--------------------|---------------------------|-------|---------|
| PROJECT NAME: | PENNEAST PIPELINE PROJECT | | |
| LOCATION: | CARBON COUNTY | | |
| PROJECT COMPONENT: | MAINLINE | | |
| PREPARED BY: | KEK / JMB | DATE: | 10/2019 |
| CHECKED BY: | MDN | DATE: | 10/2019 |

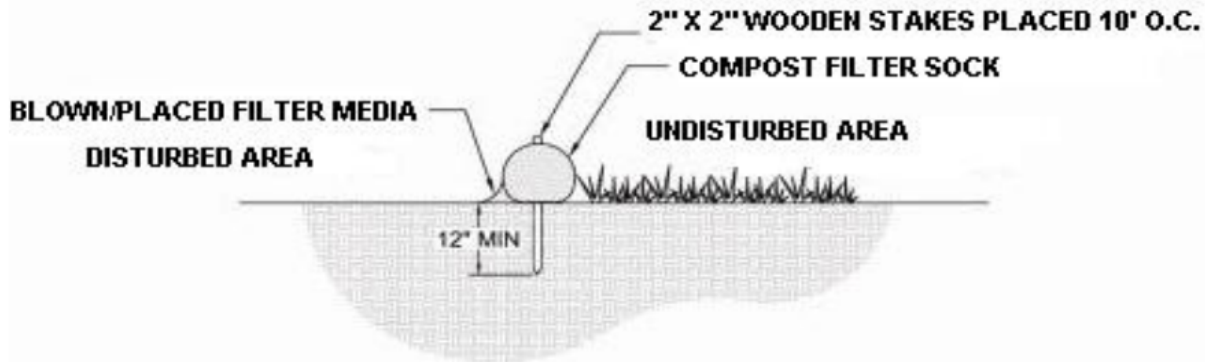


| MILEPOST | DIAMETER (IN) | LOCATION | SLOPE PERCENT | SLOPE LENGTH ABOVE BARRIER (FT) |
|----------|---------------|-----------------|---------------|---------------------------------|
| | | APPROX. STATION | | |
| 34.4R3 | 12 | 1818+48 | 4 | 191 |
| 34.4R3 | 12 | 1818+86 | 4 | 228 |
| 34.5R3 | 12 | 1819+21 | 6 | 38 |
| 34.5R3 | 12 | 1819+46 | 6 | 63 |
| 34.5R3 | 12 | 1820+76 | 6 | 36 |
| 34.5R3 | 12 | 1821+08 | 6 | 71 |
| 34.5R3 | 12 | 1821+33 | 6 | 98 |
| 34.5R3 | 12 | 1821+57 | 6 | 125 |
| 34.5R3 | 18 | 1821+80 | 6 | 155 |
| 34.5R3 | 12 | 1822+09 | 6 | 26 |
| 34.5R3 | 12 | 1822+35 | 6 | 54 |
| 34.5R3 | 12 | 1822+64 | 7 | 84 |
| 34.5R3 | 12 | 1822+90 | 7 | 111 |
| 34.5R3 | 12 | 1823+20 | 7 | 140 |
| 34.5R3 | 18 | 1823+41 | 7 | 162 |
| 34.5R3 | 12 | 1823+96 | 5 | 60 |
| 34.5R3 | 12 | 1824+33 | 5 | 96 |
| 34.6R2 | 12 | 1824+74 | 5 | 140 |
| 34.6R2 | 12 | 1825+12 | 4 | 22 |
| 34.6R2 | 12 | 1825+50 | 4 | 90 |
| 34.8R3 | 12 | 1835+18 | 0 | 23 |
| 34.8R3 | 12 | 1835+25 | 1 | 22 |
| 34.8R3 | 12 | 1835+46 | 2 | 151 |
| 34.9R2 | 12 | 1836+53 | 5 | 127 |
| 34.8R3 | 12 | 1837+24 | 6 | 54 |
| 34.8 | 12 | 1837+28 | 5 | 150 |

STANDARD E&S WORKSHEET #1

Compost Filter Socks

| | | |
|--------------------|---------------------------|---------------|
| PROJECT NAME: | PENNEAST PIPELINE PROJECT | |
| LOCATION: | CARBON COUNTY | |
| PROJECT COMPONENT: | MAINLINE | |
| PREPARED BY: | KEK / JMB | DATE: 10/2019 |
| CHECKED BY: | MDN | DATE: 10/2019 |

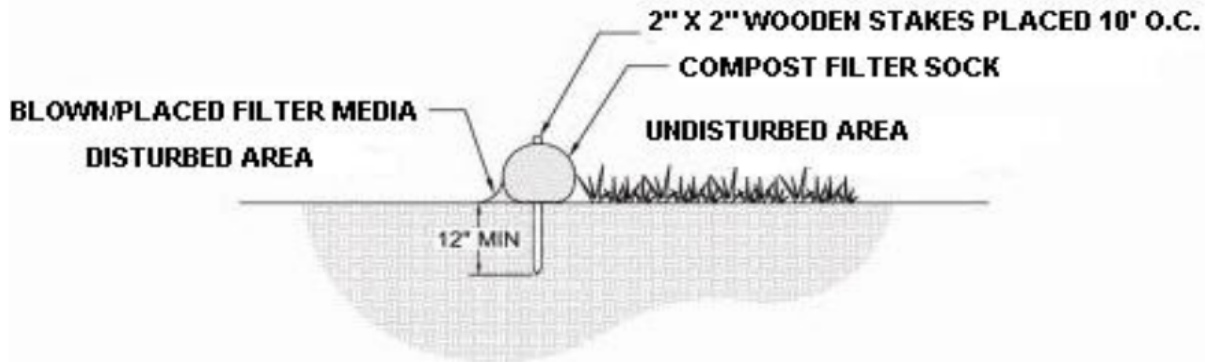


| MILEPOST | DIAMETER (IN) | LOCATION | SLOPE PERCENT | SLOPE LENGTH ABOVE BARRIER (FT) |
|----------|---------------|-----------------|---------------|---------------------------------|
| | | APPROX. STATION | | |
| 34.8 | 18 | 1837+37 | 6 | 163 |
| 34.8R3 | 12 | 1837+68 | 6 | 87 |
| 34.8R3 | 12 | 1837+74 | 2 | 37 |
| 34.8 | 12 | 1838+43 | 6 | 149 |
| 34.8R3 | 12 | 1838+86 | 3 | 120 |
| 34.8 | 12 | 1838+99 | 7 | 125 |
| 34.8 | 12 | 1839+04 | 7 | 103 |
| 34.8 | 12 | 1839+44 | 7 | 120 |
| 34.8R3 | 12 | 1839+58 | 4 | 46 |
| 34.8R3 | 12 | 1839+70 | 5 | 37 |
| 34.8R3 | 12 | 1840+00 | 6 | 68 |
| 34.9R2 | 12 | 1840+18 | 6 | 84 |
| 34.9R2 | 12 | 1840+36 | 8 | 105 |
| 34.9 | 12 | 1840+47 | 6 | 98 |
| 34.9R2 | 12 | 1840+57 | 13 | 17 |
| 34.9R2 | 12 | 1840+75 | 13 | 31 |
| 34.9R2 | 12 | 1840+91 | 13 | 45 |
| 34.9 | 12 | 1841+05 | 9 | 28 |
| 34.9R2 | 12 | 1841+11 | 14 | 61 |
| 34.9R2 | 12 | 1841+31 | 14 | 76 |
| 34.9 | 12 | 1841+39 | 11 | 47 |
| 34.9R2 | 12 | 1841+49 | 14 | 91 |
| 34.9R2 | 18 | 1841+65 | 14 | 102 |
| 34.9 | 12 | 1841+98 | 11 | 85 |
| 34.9 | 12 | 1842+16 | 11 | 99 |
| 34.9R2 | 12 | 1842+55 | 4 | 62 |

STANDARD E&S WORKSHEET #1

Compost Filter Socks

| | | |
|--------------------|---------------------------|---------------|
| PROJECT NAME: | PENNEAST PIPELINE PROJECT | |
| LOCATION: | CARBON COUNTY | |
| PROJECT COMPONENT: | MAINLINE | |
| PREPARED BY: | KEK / JMB | DATE: 10/2019 |
| CHECKED BY: | MDN | DATE: 10/2019 |

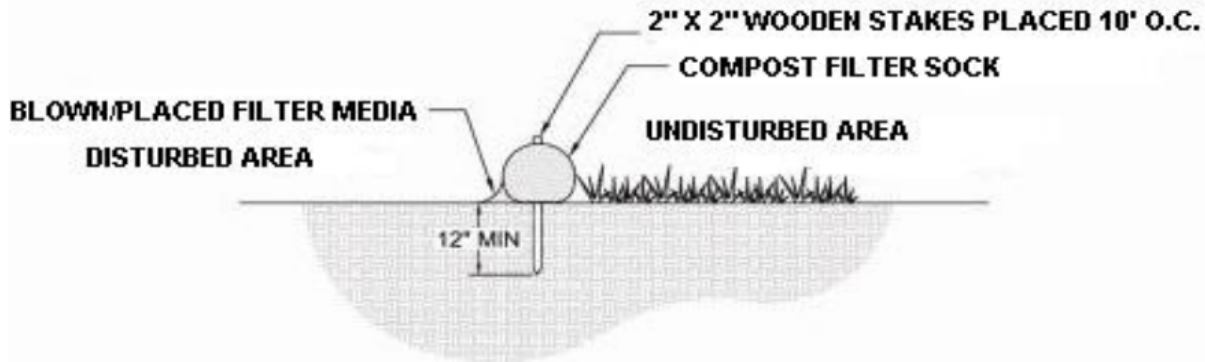


| MILEPOST | DIAMETER (IN) | LOCATION | SLOPE PERCENT | SLOPE LENGTH ABOVE BARRIER (FT) |
|----------|---------------|-----------------|---------------|---------------------------------|
| | | APPROX. STATION | | |
| 34.9R2 | 12 | 1842+86 | 4 | 96 |
| 34.9R2 | 12 | 1842+98 | 4 | 107 |
| 34.9 | 12 | 1843+91 | 5 | 31 |
| 34.9 | 12 | 1844+45 | 5 | 83 |
| 34.9 | 12 | 1844+84 | 5 | 116 |
| 34.9 | 12 | 1845+05 | 5 | 135 |
| 34.9 | 12 | 1845+27 | 5 | 14 |
| 35.0 | 12 | 1845+69 | 6 | 56 |
| 35.0 | 12 | 1846+09 | 6 | 102 |
| 35.0 | 12 | 1846+61 | 6 | 149 |
| 35.0 | 18 | 1846+90 | 6 | 179 |
| 35.0 | 12 | 1847+04 | 4 | 18 |
| 35.0 | 12 | 1847+60 | 4 | 92 |
| 35.0 | 12 | 1848+32 | 4 | 163 |
| 35.0 | 12 | 1848+67 | 4 | 198 |
| 35.0 | 12 | 1848+84 | 3 | 17 |
| 35.0 | 12 | 1849+51 | 4 | 88 |
| 35.0 | 12 | 1849+66 | 4 | 115 |
| 35.0 | 12 | 1849+82 | 3 | 127 |
| 35.0 | 12 | 1850+19 | 3 | 171 |
| 35.1 | 12 | 1851+38 | 3 | 85 |
| 35.1 | 12 | 1852+67 | 2 | 80 |
| 35.1 | 12 | 1853+27 | 3 | 29 |
| 35.1 | 12 | 1854+30 | 3 | 85 |
| 35.1 | 12 | 1855+63 | 3 | 59 |
| 35.2 | 12 | 1856+18 | 2 | 27 |

STANDARD E&S WORKSHEET #1

Compost Filter Socks

| | | |
|--------------------|---------------------------|---------------|
| PROJECT NAME: | PENNEAST PIPELINE PROJECT | |
| LOCATION: | CARBON COUNTY | |
| PROJECT COMPONENT: | MAINLINE | |
| PREPARED BY: | KEK / JMB | DATE: 10/2019 |
| CHECKED BY: | MDN | DATE: 10/2019 |

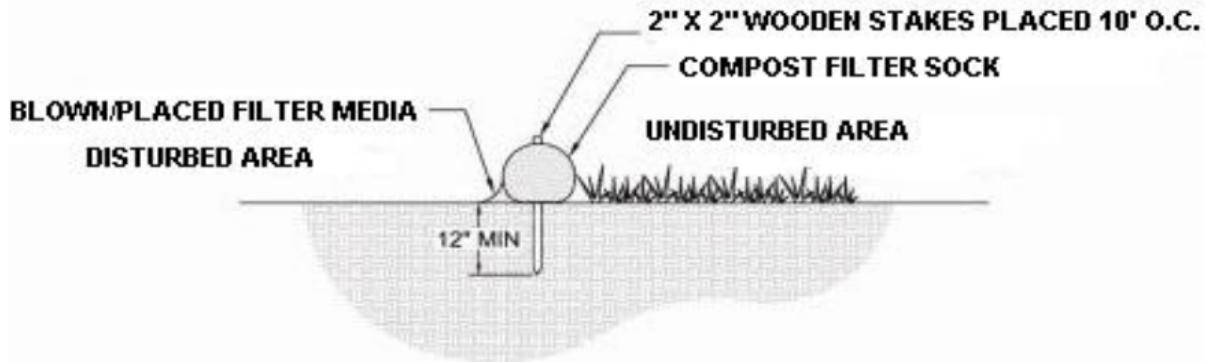


| MILEPOST | DIAMETER (IN) | LOCATION | SLOPE PERCENT | SLOPE LENGTH ABOVE BARRIER (FT) |
|----------|---------------|-----------------|---------------|---------------------------------|
| | | APPROX. STATION | | |
| 35.2 | 12 | 1856+82 | 3 | 72 |
| 35.2 | 12 | 1857+01 | 2 | 233 |
| 35.2 | 12 | 1858+95 | 3 | 71 |
| 35.2 | 12 | 1859+92 | 3 | 117 |
| 35.2 | 12 | 1860+60 | 3 | 63 |
| 35.3 | 12 | 1863+17 | 2 | 85 |
| 35.3 | 12 | 1863+79 | 3 | 28 |
| 35.3 | 12 | 1865+41 | 2 | 216 |
| 35.3 | 18 | 1865+68 | 2 | 306 |
| 35.4 | 12 | 1866+60 | 2 | 80 |
| 35.4 | 12 | 1866+86 | 1 | 121 |
| 35.4 | 12 | 1867+30 | 2 | 11 |
| 35.4 | 12 | 1867+76 | 2 | 14 |
| 35.4 | 12 | 1868+13 | 2 | 151 |
| 35.4 | 12 | 1869+07 | 3 | 49 |
| 35.4 | 12 | 1869+73 | 2 | 193 |
| 35.4 | 12 | 1870+06 | 2 | 170 |
| 35.4 | 12 | 1870+29 | 3 | 148 |
| 35.5 | 12 | 1871+82 | 2 | 118 |
| 35.5 | 12 | 1872+22 | 2 | 81 |
| 35.5 | 12 | 1873+21 | 2 | 122 |
| 35.5 | 12 | 1873+42 | 2 | 102 |
| 35.5 | 12 | 1876+36 | 0 | 165 |
| 35.5 | 18 | 1876+62 | 1 | 294 |
| 35.5 | 18 | 1876+74 | 1 | 267 |
| 35.6 | 18 | 1877+49 | 1 | 300 |

STANDARD E&S WORKSHEET #1

Compost Filter Socks

| | | |
|--------------------|---------------------------|---------------|
| PROJECT NAME: | PENNEAST PIPELINE PROJECT | |
| LOCATION: | CARBON COUNTY | |
| PROJECT COMPONENT: | MAINLINE | |
| PREPARED BY: | KEK / JMB | DATE: 10/2019 |
| CHECKED BY: | MDN | DATE: 10/2019 |

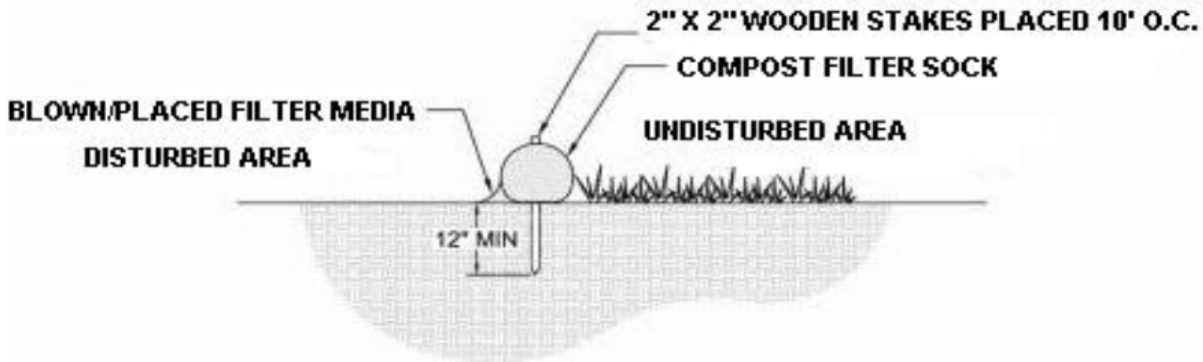


| MILEPOST | DIAMETER (IN) | LOCATION | SLOPE PERCENT | SLOPE LENGTH ABOVE BARRIER (FT) |
|----------|---------------|-----------------|---------------|---------------------------------|
| | | APPROX. STATION | | |
| 35.7 | 12 | 1883+34 | 3 | 51 |
| 35.7 | 12 | 1883+58 | 2 | 99 |
| 35.7 | 12 | 1884+57 | 2 | 199 |
| 35.7 | 18 | 1885+10 | 2 | 273 |
| 35.7 | 12 | 1885+85 | 2 | 79 |
| 35.7 | 12 | 1886+57 | 3 | 177 |
| 35.8 | 18 | 1887+75 | 2 | 304 |
| 35.8 | 12 | 1888+52 | 2 | 137 |
| 35.8 | 12 | 1889+07 | 2 | 232 |
| 35.8 | 12 | 1890+19 | 2 | 162 |
| 35.8 | 12 | 1890+72 | 0 | 69 |
| 35.8 | 12 | 1891+75 | 1 | 149 |
| 35.9 | 12 | 1893+65 | 1 | 119 |
| 35.9 | 12 | 1895+62 | 2 | 137 |
| 35.9 | 12 | 1896+02 | 2 | 23 |
| 35.9 | 12 | 1897+47 | 1 | 114 |
| 35.9 | 12 | 1898+11 | 2 | 136 |
| 36.0 | 18 | 1899+33 | 1 | 318 |
| 36.1 | 12 | 1905+03 | 1 | 25 |
| 36.1 | 12 | 1905+35 | 0 | 20 |
| 36.1 | 12 | 1907+85 | 1 | 60 |
| 36.1 | 12 | 1908+10 | 1 | 27 |
| 36.1 | 12 | 1908+54 | 2 | 161 |
| 36.2 | 12 | 1909+09 | 2 | 104 |
| 36.2 | 12 | 1910+33 | 2 | 178 |
| 36.2 | 12 | 1911+51 | 2 | 92 |

STANDARD E&S WORKSHEET #1

Compost Filter Socks

| | | |
|--------------------|---------------------------|---------------|
| PROJECT NAME: | PENNEAST PIPELINE PROJECT | |
| LOCATION: | CARBON COUNTY | |
| PROJECT COMPONENT: | MAINLINE | |
| PREPARED BY: | KEK / JMB | DATE: 10/2019 |
| CHECKED BY: | MDN | DATE: 10/2019 |

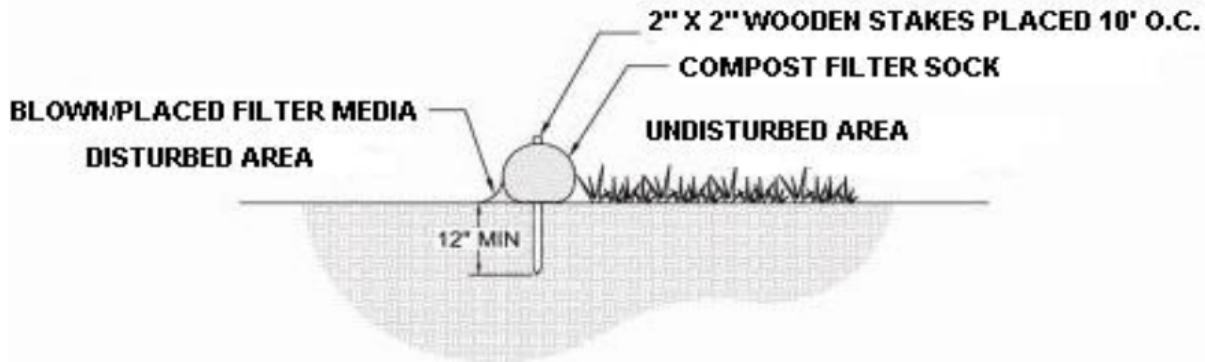


| MILEPOST | DIAMETER (IN) | LOCATION | SLOPE PERCENT | SLOPE LENGTH ABOVE BARRIER (FT) |
|----------|---------------|-----------------|---------------|---------------------------------|
| | | APPROX. STATION | | |
| 36.2 | 12 | 1913+00 | 2 | 123 |
| 36.2 | 12 | 1913+60 | 2 | 88 |
| 36.3 | 12 | 1917+54 | 1 | 99 |
| 36.4 | 12 | 1920+45 | 2 | 131 |
| 36.4 | 12 | 1922+23 | 2 | 126 |
| 36.4 | 12 | 1922+39 | 2 | 130 |
| 36.4 | 12 | 1923+33 | 2 | 81 |
| 36.4 | 12 | 1924+38 | 2 | 176 |
| 36.5R3 | 12 | 1925+60 | 2 | 95 |
| 36.5R3 | 12 | 1925+79 | 2 | 117 |
| 36.5R3 | 12 | 1927+03 | 2 | 108 |
| 36.5R3 | 12 | 1927+20 | 2 | 124 |
| 36.5R3 | 12 | 1929+12 | 2 | 163 |
| 36.5R3 | 12 | 1929+17 | 2 | 178 |
| 36.5R3 | 12 | 1929+36 | 0 | 45 |
| 36.6R3 | 12 | 1930+01 | 1 | 40 |
| 36.6R3 | 12 | 1930+10 | 2 | 50 |
| 36.8R3 | 12 | 1940+50 | 2 | 95 |
| 36.8R3 | 12 | 1941+44 | 2 | 96 |
| 36.8R3 | 12 | 1941+55 | 2 | 107 |
| 36.8R3 | 12 | 1942+27 | 2 | 58 |
| 36.8R3 | 12 | 1943+16 | 2 | 86 |
| 36.8R3 | 12 | 1943+92 | 2 | 192 |
| 36.8R3 | 12 | 1944+59 | 2 | 116 |
| 36.9R3 | 12 | 1945+87 | 2 | 142 |
| 36.9R3 | 12 | 1946+50 | 2 | 83 |

STANDARD E&S WORKSHEET #1

Compost Filter Socks

| | | |
|--------------------|---------------------------|---------------|
| PROJECT NAME: | PENNEAST PIPELINE PROJECT | |
| LOCATION: | CARBON COUNTY | |
| PROJECT COMPONENT: | MAINLINE | |
| PREPARED BY: | KEK / JMB | DATE: 10/2019 |
| CHECKED BY: | MDN | DATE: 10/2019 |

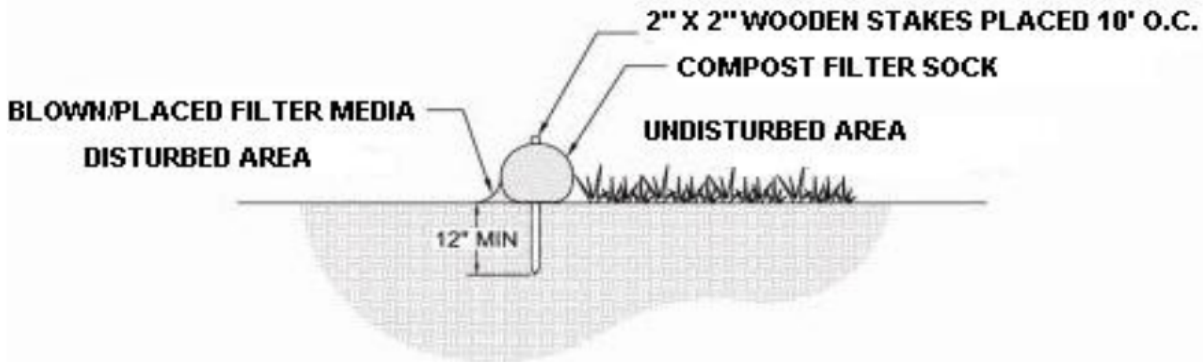


| MILEPOST | DIAMETER (IN) | LOCATION | SLOPE PERCENT | SLOPE LENGTH ABOVE BARRIER (FT) |
|----------|---------------|-----------------|---------------|---------------------------------|
| | | APPROX. STATION | | |
| 36.9R3 | 12 | 1947+41 | 2 | 131 |
| 36.9R3 | 12 | 1947+94 | 2 | 79 |
| 36.9R3 | 12 | 1948+79 | 2 | 136 |
| 36.9R3 | 12 | 1949+19 | 2 | 92 |
| 36.9R3 | 12 | 1950+13 | 2 | 144 |
| 36.9R3 | 12 | 1950+45 | 2 | 102 |
| 37.1R3 | 12 | 1959+34 | 2 | 23 |
| 37.1R3 | 12 | 1959+52 | 3 | 32 |
| 37.1R3 | 12 | 1959+80 | 3 | 45 |
| 37.2 | 12 | 1963+22 | 0 | 64 |
| 37.3 | 12 | 1966+96 | 2 | 73 |
| 37.3 | 12 | 1967+85 | 2 | 198 |
| 37.3 | 18 | 1968+48 | 2 | 266 |
| 37.4 | 12 | 1972+62 | 2 | 244 |
| 37.4 | 18 | 1973+31 | 2 | 304 |
| 37.4 | 12 | 1974+88 | 2 | 232 |
| 37.4 | 12 | 1976+00 | 1 | 63 |
| 37.4 | 12 | 1976+95 | 2 | 137 |
| 37.5 | 12 | 1977+46 | 2 | 65 |
| 37.5 | 12 | 1977+47 | 3 | 71 |
| 37.5 | 12 | 1977+80 | 2 | 39 |
| 37.5 | 12 | 1978+74 | 3 | 68 |
| 37.5 | 12 | 1979+52 | 2 | 141 |
| 37.5 | 12 | 1979+95 | 3 | 41 |
| 37.5 | 12 | 1980+41 | 3 | 82 |
| 37.5 | 12 | 1980+95 | 3 | 145 |

STANDARD E&S WORKSHEET #1

Compost Filter Socks

| | | |
|--------------------|---------------------------|---------------|
| PROJECT NAME: | PENNEAST PIPELINE PROJECT | |
| LOCATION: | CARBON COUNTY | |
| PROJECT COMPONENT: | MAINLINE | |
| PREPARED BY: | KEK / JMB | DATE: 10/2019 |
| CHECKED BY: | MDN | DATE: 10/2019 |

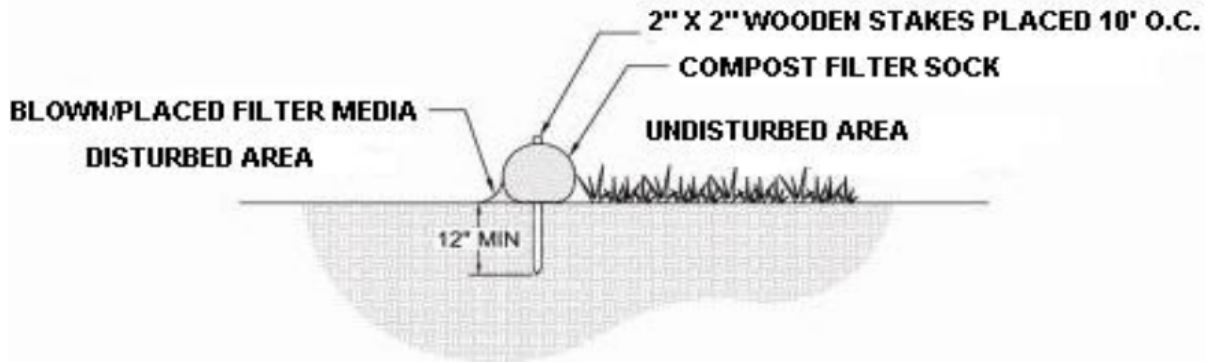


| MILEPOST | DIAMETER (IN) | LOCATION | SLOPE PERCENT | SLOPE LENGTH ABOVE BARRIER (FT) |
|----------|---------------|-----------------|---------------|---------------------------------|
| | | APPROX. STATION | | |
| 37.5 | 12 | 1982+25 | 2 | 96 |
| 37.5 | 12 | 1982+38 | 2 | 114 |
| 37.6 | 12 | 1983+09 | 5 | 82 |
| 37.6 | 12 | 1983+36 | 5 | 123 |
| 37.6 | 12 | 1984+47 | 3 | 100 |
| 37.6 | 12 | 1984+77 | 4 | 129 |
| 37.6 | 12 | 1985+12 | 6 | 39 |
| 37.6 | 12 | 1985+40 | 6 | 75 |
| 37.6 | 12 | 1985+59 | 6 | 100 |
| 37.6 | 12 | 1985+71 | 9 | 77 |
| 37.6 | 12 | 1985+95 | 9 | 62 |
| 37.6 | 12 | 1986+17 | 8 | 48 |
| 37.6 | 12 | 1986+40 | 5 | 34 |
| 37.6 | 12 | 1987+01 | 4 | 98 |
| 37.6 | 12 | 1987+67 | 4 | 56 |
| 37.7 | 12 | 1988+62 | 4 | 94 |
| 37.7 | 12 | 1989+12 | 3 | 58 |
| 37.7 | 12 | 1990+01 | 3 | 86 |
| 37.7 | 12 | 1990+19 | 3 | 80 |
| 37.7 | 12 | 1991+49 | 3 | 114 |
| 37.8 | 24 | 1993+28 | 1 | 406 |
| 37.8 | 18 | 1993+45 | 1 | 330 |
| 37.8 | 12 | 1995+12 | 3 | 44 |
| 37.8 | 18 | 1995+27 | 1 | 255 |
| 37.8 | 12 | 1996+37 | 1 | 229 |
| 37.8 | 12 | 1997+32 | 2 | 87 |

STANDARD E&S WORKSHEET #1

Compost Filter Socks

| | | |
|--------------------|---------------------------|---------------|
| PROJECT NAME: | PENNEAST PIPELINE PROJECT | |
| LOCATION: | CARBON COUNTY | |
| PROJECT COMPONENT: | MAINLINE | |
| PREPARED BY: | KEK / JMB | DATE: 10/2019 |
| CHECKED BY: | MDN | DATE: 10/2019 |

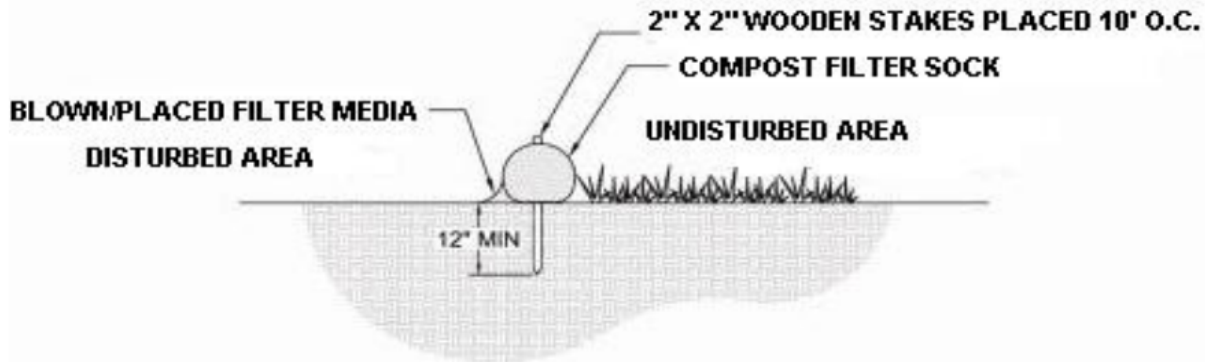


| MILEPOST | DIAMETER (IN) | LOCATION | SLOPE PERCENT | SLOPE LENGTH ABOVE BARRIER (FT) |
|----------|---------------|-----------------|---------------|---------------------------------|
| | | APPROX. STATION | | |
| 37.8 | 12 | 1997+93 | 3 | 171 |
| 37.9 | 12 | 1998+77 | 4 | 82 |
| 37.9 | 12 | 1999+42 | 6 | 16 |
| 37.9 | 12 | 1999+66 | 5 | 118 |
| 37.9 | 12 | 1999+94 | 4 | 105 |
| 37.9 | 12 | 2000+31 | 2 | 77 |
| 37.9 | 12 | 2001+48 | 2 | 73 |
| 37.9 | 12 | 2002+02 | 3 | 126 |
| 37.9 | 12 | 2002+67 | 2 | 199 |
| 37.9 | 12 | 2003+52 | 1 | 219 |
| 38.0 | 12 | 2006+13 | 11 | 36 |
| 38.0 | 12 | 2006+46 | 12 | 67 |
| 38.0 | 18 | 2006+81 | 12 | 100 |
| 38.0 | 18 | 2007+06 | 12 | 127 |
| 38.0 | 12 | 2007+33 | 12 | 17 |
| 38.0 | 12 | 2007+49 | 13 | 28 |
| 38.0 | 12 | 2007+67 | 12 | 38 |
| 38.0 | 12 | 2007+84 | 12 | 47 |
| 38.0 | 12 | 2008+00 | 12 | 57 |
| 38.0 | 12 | 2008+20 | 12 | 69 |
| 38.0 | 12 | 2008+41 | 13 | 79 |
| 38.0 | 12 | 2008+85 | 15 | 20 |
| 38.1 | 12 | 2009+06 | 15 | 32 |
| 38.1 | 12 | 2009+24 | 15 | 49 |
| 38.1 | 12 | 2009+48 | 15 | 68 |
| 38.1 | 12 | 2009+73 | 15 | 97 |

STANDARD E&S WORKSHEET #1

Compost Filter Socks

| | | | |
|--------------------|---------------------------|-------|---------|
| PROJECT NAME: | PENNEAST PIPELINE PROJECT | | |
| LOCATION: | CARBON COUNTY | | |
| PROJECT COMPONENT: | MAINLINE | | |
| PREPARED BY: | KEK / JMB | DATE: | 10/2019 |
| CHECKED BY: | MDN | DATE: | 10/2019 |

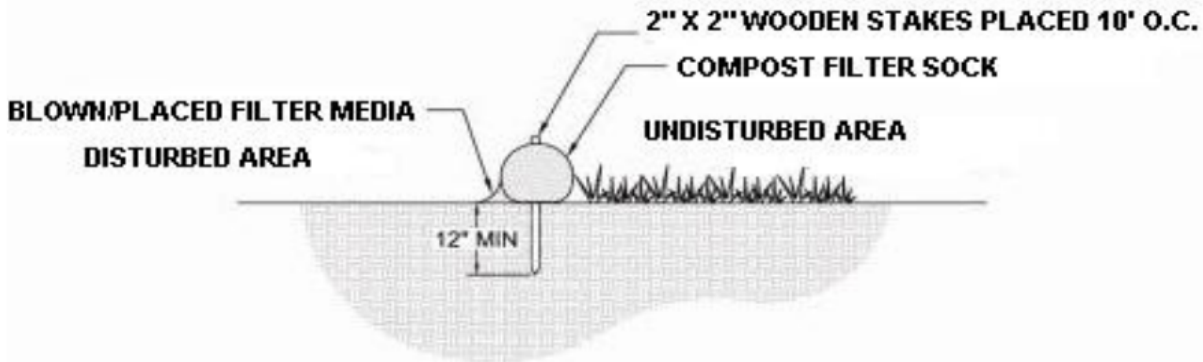


| MILEPOST | DIAMETER (IN) | LOCATION | SLOPE PERCENT | SLOPE LENGTH ABOVE BARRIER (FT) |
|----------|---------------|-----------------|---------------|---------------------------------|
| | | APPROX. STATION | | |
| 38.1 | 18 | 2009+98 | 16 | 115 |
| 38.1 | 12 | 2012+41 | 16 | 16 |
| 38.1 | 12 | 2012+61 | 16 | 34 |
| 38.1 | 12 | 2012+92 | 13 | 68 |
| 38.1 | 12 | 2013+51 | 9 | 122 |
| 38.1 | 12 | 2014+25 | 10 | 40 |
| 38.2 | 12 | 2014+48 | 11 | 51 |
| 38.2 | 12 | 2014+74 | 11 | 68 |
| 38.2 | 12 | 2015+01 | 11 | 87 |
| 38.2 | 12 | 2015+50 | 14 | 17 |
| 38.2 | 12 | 2015+72 | 15 | 30 |
| 38.2 | 12 | 2015+97 | 15 | 47 |
| 38.2 | 12 | 2016+22 | 15 | 65 |
| 38.2 | 12 | 2016+48 | 15 | 81 |
| 38.2 | 12 | 2017+16 | 16 | 23 |
| 38.3 | 18 | 2021+74 | 34 | 58 |
| 38.3 | 18 | 2021+75 | 27 | 64 |
| 38.3 | 12 | 2022+17 | 25 | 21 |
| 38.3 | 12 | 2022+36 | 25 | 41 |
| 38.3 | 18 | 2022+56 | 24 | 61 |
| 38.3 | 12 | 2023+30 | 12 | 27 |
| 38.3 | 12 | 2023+31 | 12 | 24 |
| 38.3 | 12 | 2023+46 | 2 | 39 |
| 38.3 | 12 | 2023+46 | 1 | 35 |
| 38.3 | 12 | 2024+02 | 6 | 66 |
| 38.3 | 12 | 2024+58 | 6 | 36 |

STANDARD E&S WORKSHEET #1

Compost Filter Socks

| | | |
|--------------------|---------------------------|---------------|
| PROJECT NAME: | PENNEAST PIPELINE PROJECT | |
| LOCATION: | CARBON COUNTY | |
| PROJECT COMPONENT: | MAINLINE | |
| PREPARED BY: | KEK / JMB | DATE: 10/2019 |
| CHECKED BY: | MDN | DATE: 10/2019 |

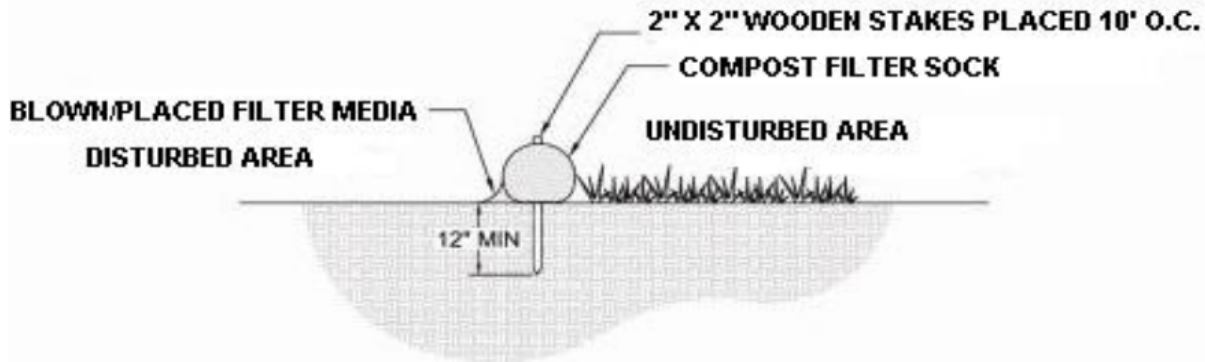


| MILEPOST | DIAMETER (IN) | LOCATION | SLOPE PERCENT | SLOPE LENGTH ABOVE BARRIER (FT) |
|----------|---------------|-----------------|---------------|---------------------------------|
| | | APPROX. STATION | | |
| 38.4 | 12 | 2025+60 | 5 | 61 |
| 38.4 | 12 | 2026+94 | 5 | 58 |
| 38.4 | 12 | 2027+21 | 5 | 41 |
| 38.4 | 12 | 2027+50 | 5 | 23 |
| 38.4 | 12 | 2027+97 | 5 | 103 |
| 38.4 | 12 | 2028+21 | 5 | 80 |
| 38.4 | 12 | 2028+45 | 6 | 57 |
| 38.4 | 12 | 2028+64 | 6 | 48 |
| 38.4 | 12 | 2028+81 | 6 | 35 |
| 38.4 | 12 | 2029+01 | 6 | 20 |
| 38.4 | 12 | 2029+31 | 7 | 11 |
| 38.4 | 12 | 2029+77 | 8 | 93 |
| 38.5 | 12 | 2030+63 | 9 | 110 |
| 38.5 | 12 | 2031+28 | 8 | 94 |
| 38.5 | 12 | 2031+95 | 8 | 93 |
| 38.5 | 12 | 2032+89 | 8 | 106 |
| 38.5 | 12 | 2033+33 | 8 | 112 |
| 38.5 | 12 | 2034+53 | 7 | 30 |
| 38.5 | 12 | 2034+91 | 7 | 42 |
| 38.6 | 12 | 2035+76 | 7 | 74 |
| 38.6 | 12 | 2037+98 | 7 | 63 |
| 38.6 | 12 | 2039+88 | 8 | 93 |
| 38.7 | 12 | 2040+84 | 8 | 97 |
| 38.7 | 12 | 2041+72 | 7 | 93 |
| 38.7 | 12 | 2043+25 | 7 | 94 |
| 38.7 | 12 | 2044+43 | 8 | 98 |

STANDARD E&S WORKSHEET #1

Compost Filter Socks

| | | |
|--------------------|---------------------------|---------------|
| PROJECT NAME: | PENNEAST PIPELINE PROJECT | |
| LOCATION: | CARBON COUNTY | |
| PROJECT COMPONENT: | MAINLINE | |
| PREPARED BY: | KEK / JMB | DATE: 10/2019 |
| CHECKED BY: | MDN | DATE: 10/2019 |

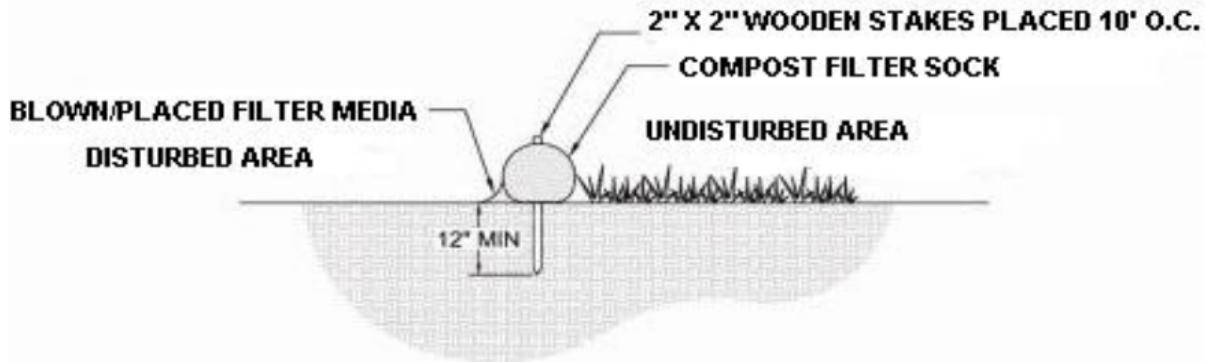


| MILEPOST | DIAMETER (IN) | LOCATION | SLOPE PERCENT | SLOPE LENGTH ABOVE BARRIER (FT) |
|----------|---------------|-----------------|---------------|---------------------------------|
| | | APPROX. STATION | | |
| 38.7 | 12 | 2045+06 | 9 | 94 |
| 38.8 | 12 | 2046+24 | 9 | 94 |
| 38.8 | 12 | 2047+95 | 11 | 94 |
| 38.8 | 12 | 2048+71 | 11 | 94 |
| 38.8 | 12 | 2049+21 | 11 | 95 |
| 38.8 | 18 | 2049+74 | 11 | 102 |
| 38.8 | 18 | 2050+24 | 11 | 104 |
| 38.8 | 18 | 2050+86 | 11 | 106 |
| 38.9 | 18 | 2051+31 | 11 | 107 |
| 38.9 | 18 | 2051+81 | 11 | 102 |
| 38.9 | 18 | 2052+33 | 11 | 102 |
| 38.9 | 18 | 2053+22 | 11 | 102 |
| 38.9 | 12 | 2053+88 | 13 | 99 |
| 38.9 | 12 | 2054+87 | 13 | 96 |
| 38.9 | 12 | 2055+27 | 10 | 55 |
| 38.9 | 12 | 2055+50 | 12 | 38 |
| 38.9 | 12 | 2055+71 | 13 | 29 |
| 38.9 | 12 | 2055+89 | 15 | 21 |
| 38.9 | 12 | 2056+12 | 14 | 13 |
| 39.0 | 12 | 2056+75 | 14 | 82 |
| 39.0 | 12 | 2056+96 | 14 | 71 |
| 39.0 | 12 | 2057+16 | 13 | 59 |
| 39.0 | 12 | 2057+37 | 14 | 47 |
| 39.0 | 12 | 2057+60 | 14 | 34 |
| 39.0 | 12 | 2057+80 | 14 | 23 |
| 39.0 | 12 | 2057+98 | 11 | 13 |

STANDARD E&S WORKSHEET #1

Compost Filter Socks

| | | | |
|--------------------|---------------------------|-------|---------|
| PROJECT NAME: | PENNEAST PIPELINE PROJECT | | |
| LOCATION: | CARBON COUNTY | | |
| PROJECT COMPONENT: | MAINLINE | | |
| PREPARED BY: | KEK / JMB | DATE: | 10/2019 |
| CHECKED BY: | MDN | DATE: | 10/2019 |

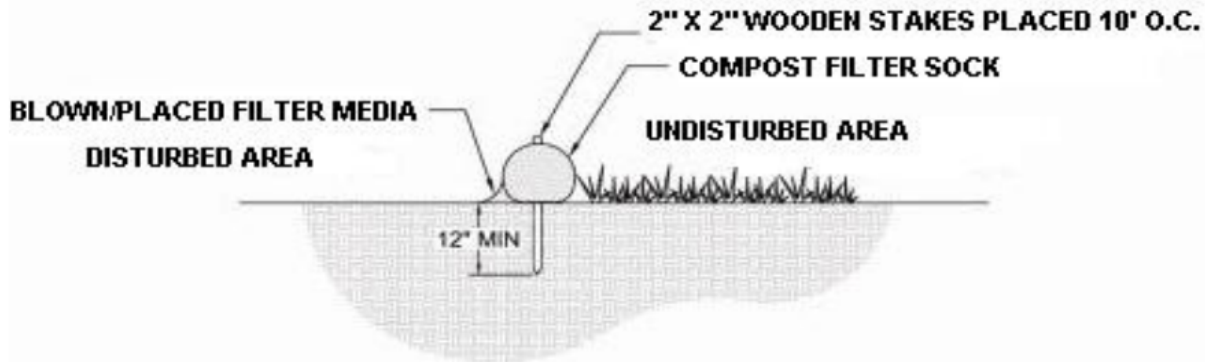


| MILEPOST | DIAMETER (IN) | LOCATION | SLOPE PERCENT | SLOPE LENGTH ABOVE BARRIER (FT) |
|----------|---------------|-----------------|---------------|---------------------------------|
| | | APPROX. STATION | | |
| 39.0 | 12 | 2058+35 | 0 | 114 |
| 39.0 | 12 | 2058+53 | 0 | 80 |
| 39.0 | 12 | 2058+76 | 0 | 52 |
| 39.0 | 12 | 2058+98 | 0 | 27 |
| 39.0 | 12 | 2060+23 | 12 | 28 |
| 39.0 | 12 | 2060+41 | 13 | 17 |
| 39.0 | 12 | 2060+86 | 14 | 84 |
| 39.0 | 12 | 2061+02 | 13 | 73 |
| 39.0 | 12 | 2061+22 | 13 | 61 |
| 39.0 | 12 | 2061+41 | 12 | 49 |
| 39.0 | 12 | 2061+60 | 12 | 36 |
| 39.0 | 12 | 2061+80 | 12 | 21 |
| 39.1 | 18 | 2062+33 | 22 | 91 |
| 39.1 | 18 | 2062+54 | 23 | 78 |
| 39.1 | 18 | 2062+73 | 23 | 65 |
| 39.1 | 18 | 2062+93 | 23 | 51 |
| 39.1 | 12 | 2063+20 | 20 | 36 |
| 39.1 | 12 | 2065+74 | 33 | 31 |
| 39.1 | 12 | 2065+93 | 29 | 24 |
| 39.2 | 32" DURASOXX | 2069+11 | 5 | 707 |
| 39.3R2 | 12 | 2073+65 | 7 | 51 |
| 39.3R2 | 12 | 2074+22 | 7 | 109 |
| 39.3R2 | 12 | 2074+41 | 6 | 129 |
| 39.3R2 | 12 | 2074+53 | 8 | 100 |
| 39.3R2 | 12 | 2075+14 | 8 | 111 |
| 39.3R2 | 18 | 2075+61 | 9 | 165 |

STANDARD E&S WORKSHEET #1

Compost Filter Socks

| | | |
|--------------------|---------------------------|---------------|
| PROJECT NAME: | PENNEAST PIPELINE PROJECT | |
| LOCATION: | CARBON COUNTY | |
| PROJECT COMPONENT: | MAINLINE | |
| PREPARED BY: | KEK / JMB | DATE: 10/2019 |
| CHECKED BY: | MDN | DATE: 10/2019 |

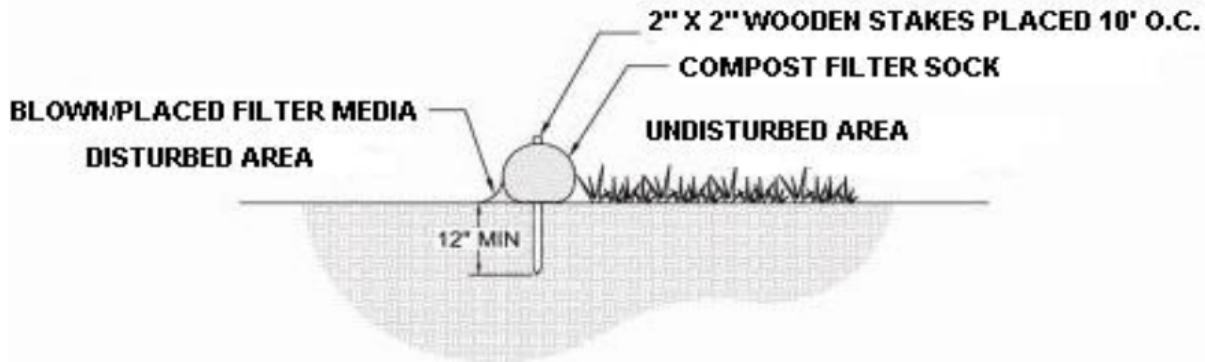


| MILEPOST | DIAMETER (IN) | LOCATION | SLOPE PERCENT | SLOPE LENGTH ABOVE BARRIER (FT) |
|----------|---------------|-----------------|---------------|---------------------------------|
| | | APPROX. STATION | | |
| 39.3R2 | 12 | 2076+07 | 6 | 26 |
| 39.3R2 | 12 | 2076+15 | 6 | 13 |
| 39.3R2 | 12 | 2076+63 | 6 | 41 |
| 39.3R2 | 12 | 2077+02 | 6 | 66 |
| 39.3R2 | 12 | 2077+53 | 6 | 34 |
| 39.4R2 | 12 | 2078+10 | 6 | 75 |
| 39.4R2 | 12 | 2078+52 | 7 | 91 |
| 39.4R2 | 12 | 2079+18 | 8 | 116 |
| 39.4R2 | 12 | 2079+73 | 6 | 22 |
| 39.4R2 | 12 | 2080+47 | 7 | 67 |
| 39.4R2 | 12 | 2080+72 | 7 | 84 |
| 39.4R2 | 12 | 2081+91 | 6 | 66 |
| 39.4R2 | 12 | 2082+41 | 7 | 20 |
| 39.5R2 | 12 | 2082+99 | 7 | 67 |
| 39.5R2 | 12 | 2083+41 | 7 | 98 |
| 39.5R2 | 12 | 2083+62 | 7 | 111 |
| 39.5R2 | 12 | 2084+77 | 8 | 149 |
| 39.5R2 | 18 | 2086+67 | 8 | 160 |
| 39.5R2 | 18 | 2086+86 | 8 | 176 |
| 39.5R2 | 12 | 2087+29 | 6 | 22 |
| 39.5R2 | 12 | 2087+84 | 6 | 27 |
| 39.5R2 | 12 | 2088+03 | 7 | 45 |
| 39.5R2 | 12 | 2088+25 | 7 | 67 |
| 39.6R2 | 12 | 2088+46 | 8 | 84 |
| 39.6R2 | 12 | 2088+65 | 9 | 100 |
| 39.6R2 | 12 | 2089+08 | 14 | 12 |

STANDARD E&S WORKSHEET #1

Compost Filter Socks

| | | |
|--------------------|---------------------------|---------------|
| PROJECT NAME: | PENNEAST PIPELINE PROJECT | |
| LOCATION: | CARBON COUNTY | |
| PROJECT COMPONENT: | MAINLINE | |
| PREPARED BY: | KEK / JMB | DATE: 10/2019 |
| CHECKED BY: | MDN | DATE: 10/2019 |

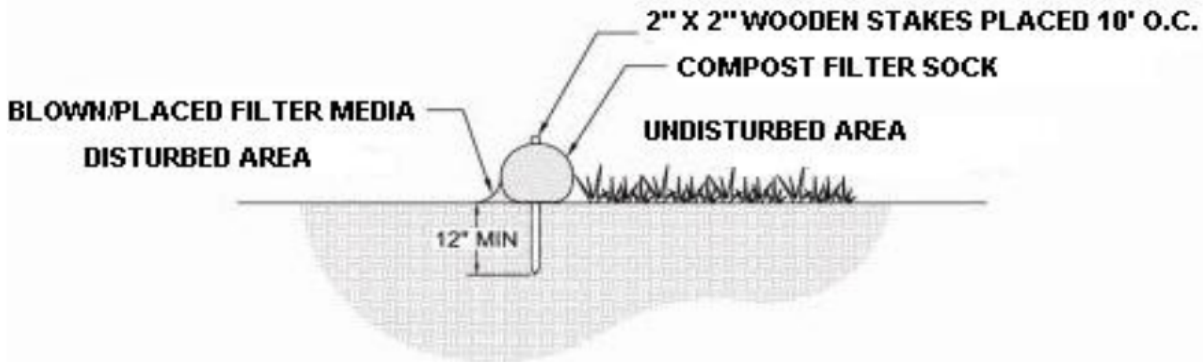


| MILEPOST | DIAMETER (IN) | LOCATION | SLOPE PERCENT | SLOPE LENGTH ABOVE BARRIER (FT) |
|----------|---------------|-----------------|---------------|---------------------------------|
| | | APPROX. STATION | | |
| 39.6R2 | 12 | 2089+09 | 13 | 20 |
| 39.6R2 | 12 | 2089+39 | 13 | 19 |
| 39.6R2 | 12 | 2089+56 | 11 | 34 |
| 39.6R2 | 18 | 2090+15 | 12 | 132 |
| 39.6R2 | 18 | 2090+17 | 11 | 162 |
| 39.6R2 | 18 | 2090+17 | 11 | 149 |
| 39.6R2 | 12 | 2090+37 | 9 | 146 |
| 39.6R2 | 12 | 2090+59 | 7 | 123 |
| 39.6R2 | 12 | 2091+10 | 5 | 92 |
| 39.6R2 | 12 | 2091+56 | 6 | 73 |
| 39.6R2 | 12 | 2091+66 | 6 | 43 |
| 39.6R2 | 12 | 2092+57 | 7 | 69 |
| 39.6R2 | 12 | 2092+92 | 7 | 37 |
| 39.7R2 | 12 | 2093+72 | 9 | 87 |
| 39.7R2 | 12 | 2094+00 | 9 | 62 |
| 39.7R2 | 12 | 2094+23 | 9 | 41 |
| 39.7R2 | 18 | 2094+86 | 12 | 115 |
| 39.7R2 | 12 | 2095+08 | 13 | 92 |
| 39.7R2 | 12 | 2095+30 | 15 | 71 |
| 39.7R2 | 12 | 2098+51 | 15 | 72 |
| 39.7R2 | 12 | 2098+51 | 15 | 83 |
| 39.7R2 | 12 | 2098+52 | 15 | 91 |
| 39.8R2 | 12 | 2098+79 | 14 | 68 |
| 39.8R2 | 12 | 2099+01 | 12 | 50 |
| 39.8R2 | 12 | 2099+22 | 11 | 33 |
| 39.8R2 | 12 | 2099+43 | 10 | 15 |

STANDARD E&S WORKSHEET #1

Compost Filter Socks

| | | | |
|--------------------|---------------------------|-------|---------|
| PROJECT NAME: | PENNEAST PIPELINE PROJECT | | |
| LOCATION: | CARBON COUNTY | | |
| PROJECT COMPONENT: | MAINLINE | | |
| PREPARED BY: | KEK / JMB | DATE: | 10/2019 |
| CHECKED BY: | MDN | DATE: | 10/2019 |

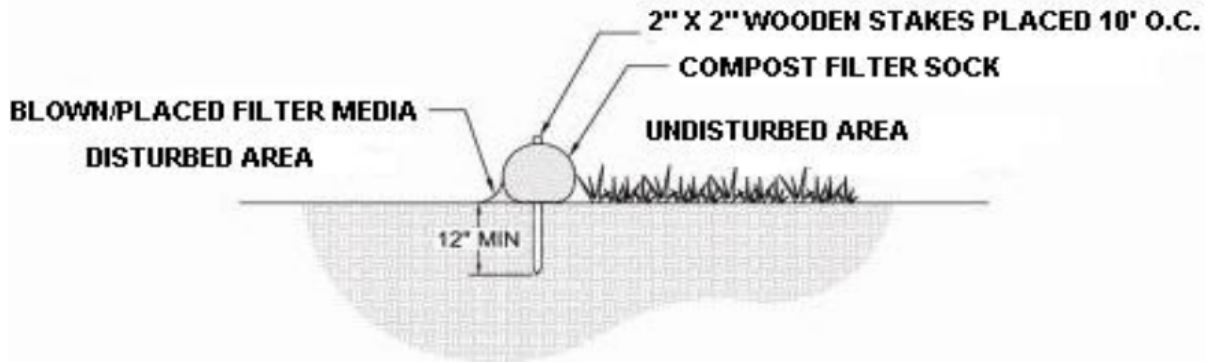


| MILEPOST | DIAMETER (IN) | LOCATION | SLOPE PERCENT | SLOPE LENGTH ABOVE BARRIER (FT) |
|----------|---------------|-----------------|---------------|---------------------------------|
| | | APPROX. STATION | | |
| 39.8R2 | 12 | 2100+11 | 8 | 149 |
| 39.8R2 | 18 | 2101+77 | 7 | 169 |
| 39.8R2 | 18 | 2102+04 | 7 | 163 |
| 39.8R2 | 18 | 2102+27 | 8 | 165 |
| 39.8R2 | 18 | 2102+48 | 8 | 169 |
| 39.8R2 | 18 | 2103+56 | 8 | 179 |
| 39.9R2 | 18 | 2104+19 | 8 | 155 |
| 39.9R2 | 18 | 2104+40 | 8 | 154 |
| 39.9R2 | 18 | 2104+60 | 8 | 156 |
| 39.9R2 | 18 | 2104+79 | 8 | 159 |
| 39.9R2 | 12 | 2105+19 | 15 | 25 |
| 39.9R2 | 12 | 2105+41 | 16 | 43 |
| 39.9R2 | 12 | 2105+59 | 15 | 57 |
| 39.9R2 | 12 | 2105+68 | 14 | 71 |
| 39.9R2 | 12 | 2105+87 | 15 | 88 |
| 39.9R2 | 12 | 2105+94 | 15 | 61 |
| 39.9R2 | 12 | 2105+95 | 15 | 74 |
| 39.9R2 | 12 | 2108+45 | 25 | 31 |
| 39.9R2 | 18 | 2108+70 | 24 | 52 |
| 39.9R2 | 18 | 2108+93 | 23 | 70 |
| 40.0R2 | 12 | 2110+59 | 32 | 24 |
| 40.0R2 | 18 | 2110+87 | 28 | 52 |
| 40.0R2 | 24 | 2111+09 | 26 | 77 |
| 40.0R2 | 12 | 2111+59 | 21 | 34 |
| 40.0R2 | 12 | 2111+81 | 19 | 56 |
| 40.0R2 | 12 | 2112+39 | 22 | 27 |

STANDARD E&S WORKSHEET #1

Compost Filter Socks

| | | |
|--------------------|---------------------------|---------------|
| PROJECT NAME: | PENNEAST PIPELINE PROJECT | |
| LOCATION: | CARBON COUNTY | |
| PROJECT COMPONENT: | MAINLINE | |
| PREPARED BY: | KEK / JMB | DATE: 10/2019 |
| CHECKED BY: | MDN | DATE: 10/2019 |

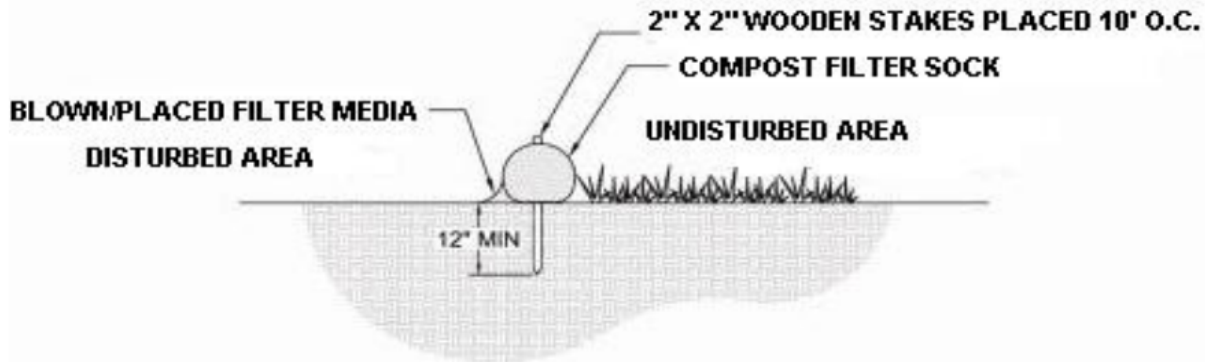


| MILEPOST | DIAMETER (IN) | LOCATION | SLOPE PERCENT | SLOPE LENGTH ABOVE BARRIER (FT) |
|----------|---------------|-----------------|---------------|---------------------------------|
| | | APPROX. STATION | | |
| 40.0R2 | 12 | 2112+64 | 22 | 48 |
| 40.0R2 | 12 | 2113+66 | 19 | 51 |
| 40.0R2 | 12 | 2113+84 | 17 | 69 |
| 40.0R2 | 12 | 2114+07 | 15 | 91 |
| 40.0R2 | 18 | 2114+28 | 14 | 111 |
| 40.1R2 | 12 | 2114+80 | 12 | 29 |
| 40.1R2 | 12 | 2115+01 | 13 | 46 |
| 40.1R2 | 12 | 2115+30 | 15 | 70 |
| 40.1R2 | 18 | 2115+57 | 16 | 91 |
| 40.1R2 | 18 | 2115+88 | 18 | 120 |
| 40.1R2 | 12 | 2117+25 | 24 | 29 |
| 40.1R2 | 12 | 2117+63 | 21 | 16 |
| 40.1R2 | 18 | 2118+06 | 16 | 77 |
| 40.1R2 | 18 | 2118+07 | 16 | 104 |
| 40.1R2 | 18 | 2118+07 | 16 | 91 |
| 40.1R2 | 12 | 2118+31 | 15 | 86 |
| 40.1R2 | 12 | 2118+55 | 15 | 69 |
| 40.1R2 | 12 | 2118+76 | 15 | 53 |
| 40.1R2 | 12 | 2118+98 | 17 | 35 |
| 40.2R2 | 12 | 2121+37 | 31 | 19 |
| 40.2R2 | 12 | 2121+50 | 31 | 11 |
| 40.2R2 | 18 | 2121+52 | 33 | 44 |
| 40.2R2 | 12 | 2121+65 | 33 | 39 |
| 40.2R2 | 12 | 2121+82 | 31 | 33 |
| 40.2R2 | 12 | 2122+01 | 30 | 26 |
| 40.2R2 | 12 | 2122+20 | 28 | 19 |

STANDARD E&S WORKSHEET #1

Compost Filter Socks

| | | |
|--------------------|---------------------------|---------------|
| PROJECT NAME: | PENNEAST PIPELINE PROJECT | |
| LOCATION: | CARBON COUNTY | |
| PROJECT COMPONENT: | MAINLINE | |
| PREPARED BY: | KEK / JMB | DATE: 10/2019 |
| CHECKED BY: | MDN | DATE: 10/2019 |

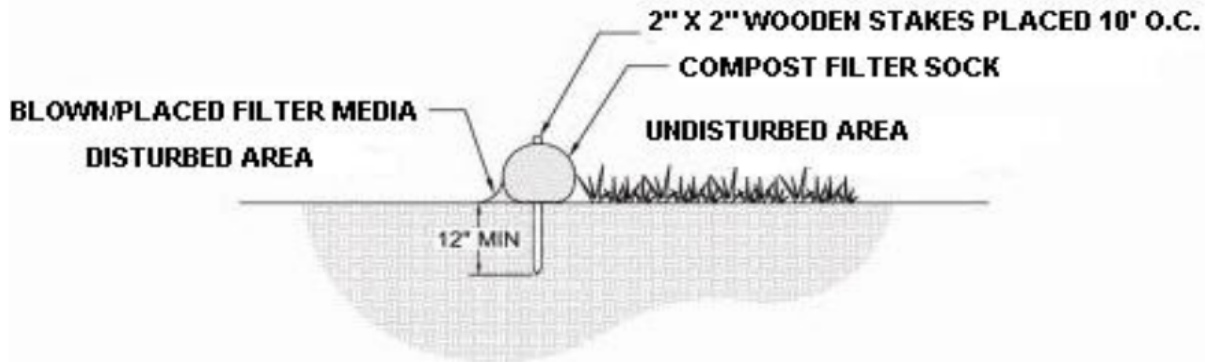


| MILEPOST | DIAMETER (IN) | LOCATION | SLOPE PERCENT | SLOPE LENGTH ABOVE BARRIER (FT) |
|----------|---------------|-----------------|---------------|---------------------------------|
| | | APPROX. STATION | | |
| 40.2R2 | 12 | 2122+39 | 25 | 12 |
| 40.2R2 | 24 | 2122+90 | 20 | 161 |
| 40.2R2 | 24 | 2123+04 | 20 | 169 |
| 40.2R2 | 24 | 2123+22 | 20 | 166 |
| 40.2R2 | 24 | 2123+42 | 18 | 165 |
| 40.2R2 | 24 | 2123+60 | 18 | 161 |
| 40.2R2 | 24 | 2123+81 | 17 | 157 |
| 40.2R2 | 24 | 2124+01 | 16 | 154 |
| 40.2R2 | 24 | 2124+20 | 16 | 154 |
| 40.2R2 | 24 | 2124+54 | 17 | 169 |
| 40.2R2 | 24 | 2124+75 | 18 | 168 |
| 40.2R2 | 24 | 2124+95 | 18 | 169 |
| 40.2R2 | 24 | 2125+17 | 19 | 163 |
| 40.3R2 | 32 | 2126+71 | 25 | 153 |
| 40.3R2 | 32 | 2127+26 | 23 | 153 |
| 40.3R2 | 32 | 2127+47 | 22 | 152 |
| 40.3R2 | 32 | 2127+69 | 21 | 158 |
| 40.3R2 | 32 | 2127+89 | 22 | 158 |
| 40.3R2 | 32 | 2128+10 | 22 | 160 |
| 40.3R2 | 32 | 2128+31 | 22 | 165 |
| 40.3R2 | 32 | 2128+52 | 22 | 165 |
| 40.3R2 | 32 | 2128+74 | 23 | 160 |
| 40.3R2 | 32 | 2128+95 | 22 | 161 |
| 40.3R2 | 32 | 2129+17 | 21 | 162 |
| 40.3R2 | 32 | 2129+40 | 21 | 156 |
| 40.3R2 | 24 | 2129+61 | 20 | 155 |

STANDARD E&S WORKSHEET #1

Compost Filter Socks

| | | | |
|--------------------|---------------------------|-------|---------|
| PROJECT NAME: | PENNEAST PIPELINE PROJECT | | |
| LOCATION: | CARBON COUNTY | | |
| PROJECT COMPONENT: | MAINLINE | | |
| PREPARED BY: | KEK / JMB | DATE: | 10/2019 |
| CHECKED BY: | MDN | DATE: | 10/2019 |

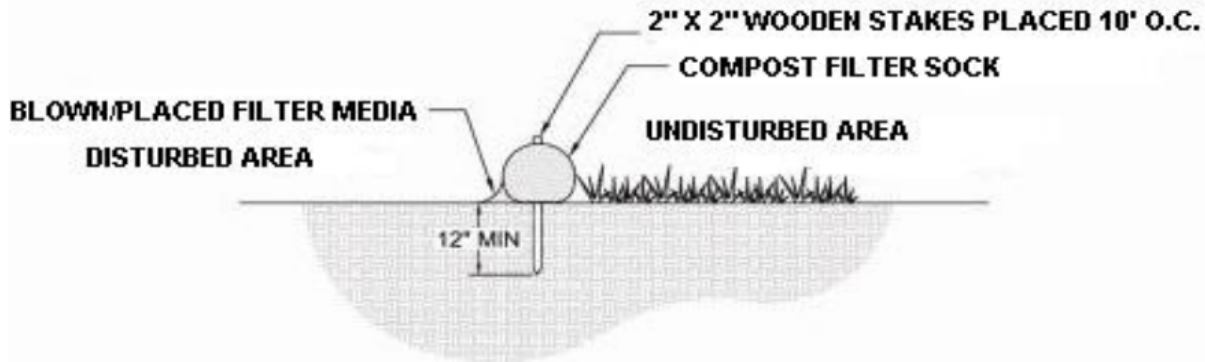


| MILEPOST | DIAMETER (IN) | LOCATION | SLOPE PERCENT | SLOPE LENGTH ABOVE BARRIER (FT) |
|----------|---------------|-----------------|---------------|---------------------------------|
| | | APPROX. STATION | | |
| 40.3R2 | 24 | 2129+75 | 19 | 155 |
| 40.3R2 | 32 | 2130+47 | 21 | 153 |
| 40.4R2 | 18 | 2130+52 | 19 | 102 |
| 40.4R2 | 12 | 2130+88 | 25 | 9 |
| 40.4R2 | 12 | 2131+12 | 35 | 22 |
| 40.4R2 | 18 | 2131+31 | 36 | 35 |
| 40.4R2 | 24 | 2131+49 | 38 | 50 |
| 40.4R2 | 12 | 2131+67 | 40 | 11 |
| 40.4R2 | 12 | 2131+84 | 41 | 24 |
| 40.4R2 | 24 | 2132+06 | 41 | 41 |
| 40.4R2 | 12 | 2132+25 | 39 | 12 |
| 40.4R2 | 12 | 2132+45 | 39 | 28 |
| 40.4R2 | 12 | 2132+67 | 33 | 10 |
| 40.4R2 | 12 | 2132+90 | 34 | 29 |
| 40.4R2 | 18 | 2133+09 | 33 | 43 |
| 40.4R2 | 12 | 2133+25 | 32 | 10 |
| 40.4R2 | 12 | 2133+45 | 33 | 27 |
| 40.4R2 | 12 | 2133+69 | 31 | 17 |
| 40.4R2 | 12 | 2133+95 | 30 | 39 |
| 40.4R2 | 12 | 2134+16 | 22 | 10 |
| 40.4R2 | 12 | 2134+36 | 22 | 26 |
| 40.4R2 | 12 | 2134+52 | 24 | 41 |
| 40.4R2 | 12 | 2134+72 | 31 | 12 |
| 40.4R2 | 12 | 2134+91 | 32 | 30 |
| 40.4R2 | 18 | 2135+10 | 33 | 47 |
| 40.4R2 | 12 | 2135+25 | 36 | 10 |

STANDARD E&S WORKSHEET #1

Compost Filter Socks

| | | |
|--------------------|---------------------------|---------------|
| PROJECT NAME: | PENNEAST PIPELINE PROJECT | |
| LOCATION: | CARBON COUNTY | |
| PROJECT COMPONENT: | MAINLINE | |
| PREPARED BY: | KEK / JMB | DATE: 10/2019 |
| CHECKED BY: | MDN | DATE: 10/2019 |

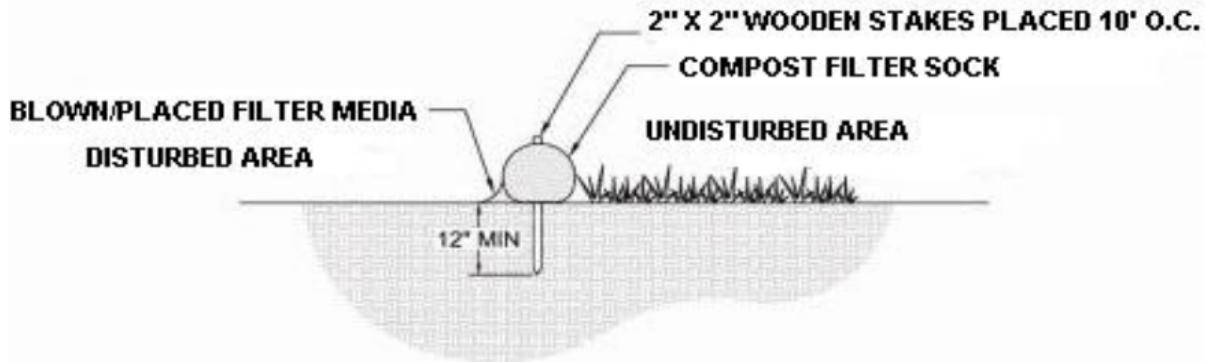


| MILEPOST | DIAMETER (IN) | LOCATION | SLOPE PERCENT | SLOPE LENGTH ABOVE BARRIER (FT) |
|----------|---------------|-----------------|---------------|---------------------------------|
| | | APPROX. STATION | | |
| 40.4R2 | 12 | 2135+40 | 36 | 26 |
| 40.4R2 | 18 | 2135+57 | 36 | 43 |
| 40.4R2 | 12 | 2135+75 | 35 | 13 |
| 40.5R2 | 12 | 2135+97 | 34 | 35 |
| 40.5R2 | 12 | 2136+22 | 33 | 17 |
| 40.5R2 | 12 | 2136+45 | 33 | 38 |
| 40.5R2 | 18 | 2136+65 | 33 | 55 |
| 40.5R2 | 12 | 2136+86 | 36 | 14 |
| 40.5R2 | 12 | 2137+06 | 37 | 35 |
| 40.5R2 | 12 | 2137+23 | 35 | 14 |
| 40.5R2 | 12 | 2137+47 | 33 | 38 |
| 40.5R2 | 12 | 2137+77 | 22 | 22 |
| 40.5R2 | 12 | 2138+05 | 20 | 49 |
| 40.5R2 | 18 | 2138+34 | 19 | 77 |
| 40.5R2 | 18 | 2138+63 | 17 | 107 |
| 40.5R2 | 12 | 2139+14 | 12 | 28 |
| 40.5R2 | 12 | 2139+31 | 13 | 41 |
| 40.5R2 | 12 | 2139+93 | 14 | 91 |
| 40.5R2 | 18 | 2140+12 | 13 | 107 |
| 40.5R2 | 12 | 2140+25 | 10 | 112 |
| 40.5R2 | 12 | 2140+42 | 8 | 55 |
| 40.5R2 | 12 | 2140+48 | 9 | 136 |
| 40.5R2 | 12 | 2140+98 | 7 | 38 |
| 40.6R2 | 12 | 2141+19 | 6 | 59 |
| 40.6R2 | 12 | 2141+42 | 6 | 82 |
| 40.6R2 | 12 | 2141+95 | 5 | 23 |

STANDARD E&S WORKSHEET #1

Compost Filter Socks

| | | | |
|--------------------|---------------------------|-------|---------|
| PROJECT NAME: | PENNEAST PIPELINE PROJECT | | |
| LOCATION: | CARBON COUNTY | | |
| PROJECT COMPONENT: | MAINLINE | | |
| PREPARED BY: | KEK / JMB | DATE: | 10/2019 |
| CHECKED BY: | MDN | DATE: | 10/2019 |

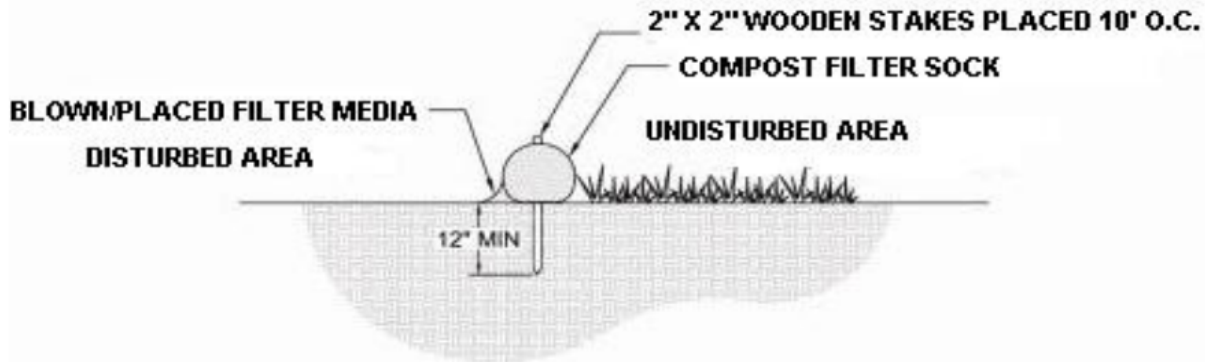


| MILEPOST | DIAMETER (IN) | LOCATION | SLOPE PERCENT | SLOPE LENGTH ABOVE BARRIER (FT) |
|----------|---------------|-----------------|---------------|---------------------------------|
| | | APPROX. STATION | | |
| 40.6R2 | 12 | 2142+02 | 8 | 41 |
| 40.6R2 | 12 | 2142+12 | 4 | 40 |
| 40.6R2 | 12 | 2142+25 | 1 | 50 |
| 40.6R2 | 12 | 2142+26 | 4 | 54 |
| 40.6R2 | 12 | 2142+46 | 1 | 38 |
| 40.6R2 | 12 | 2142+48 | 6 | 49 |
| 40.6R2 | 12 | 2142+64 | 3 | 42 |
| 40.6R2 | 12 | 2142+81 | 3 | 60 |
| 40.6R2 | 12 | 2143+78 | 3 | 36 |
| 40.6R2 | 12 | 2144+01 | 1 | 12 |
| 40.6R2 | 12 | 2144+18 | 8 | 17 |
| 40.6R2 | 12 | 2145+07 | 0 | 34 |
| 40.6R2 | 12 | 2145+35 | 5 | 18 |
| 40.6R2 | 12 | 2145+50 | 8 | 25 |
| 40.7R2 | 12 | 2147+74 | 7 | 21 |
| 40.7R2 | 12 | 2148+37 | 7 | 76 |
| 40.7R2 | 12 | 2148+54 | 7 | 93 |
| 40.7R2 | 12 | 2149+39 | 8 | 35 |
| 40.7R2 | 12 | 2149+63 | 8 | 58 |
| 40.7R2 | 12 | 2149+82 | 8 | 76 |
| 40.7R2 | 12 | 2150+02 | 8 | 95 |
| 40.7R2 | 12 | 2150+97 | 5 | 23 |
| 40.7R2 | 12 | 2151+14 | 4 | 45 |
| 40.7R2 | 12 | 2151+32 | 4 | 70 |
| 40.8R2 | 12 | 2153+82 | 5 | 60 |
| 40.8R2 | 12 | 2153+83 | 5 | 51 |

STANDARD E&S WORKSHEET #1

Compost Filter Socks

| | | | |
|--------------------|---------------------------|-------|---------|
| PROJECT NAME: | PENNEAST PIPELINE PROJECT | | |
| LOCATION: | CARBON COUNTY | | |
| PROJECT COMPONENT: | MAINLINE | | |
| PREPARED BY: | KEK / JMB | DATE: | 10/2019 |
| CHECKED BY: | MDN | DATE: | 10/2019 |

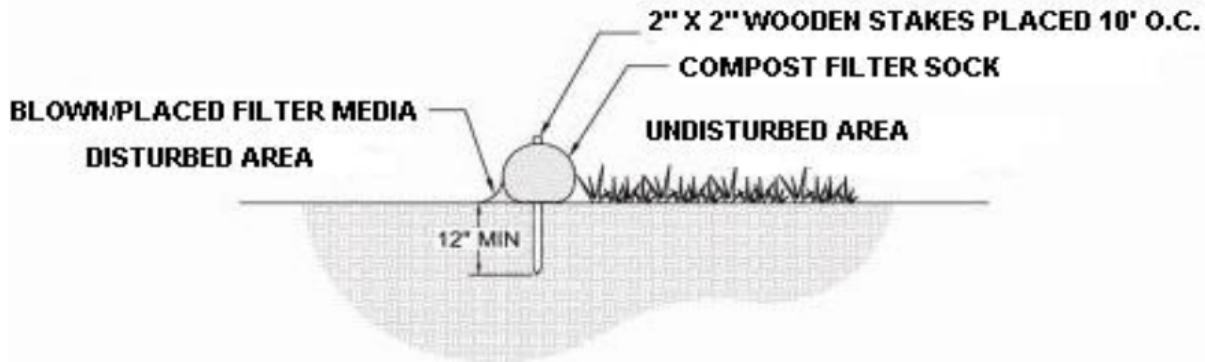


| MILEPOST | DIAMETER (IN) | LOCATION | SLOPE PERCENT | SLOPE LENGTH ABOVE BARRIER (FT) |
|----------|---------------|-----------------|---------------|---------------------------------|
| | | APPROX. STATION | | |
| 40.8R2 | 12 | 2153+83 | 5 | 108 |
| 40.8R2 | 12 | 2154+01 | 5 | 96 |
| 40.8R2 | 12 | 2154+03 | 5 | 128 |
| 40.8R2 | 12 | 2154+04 | 5 | 116 |
| 40.8R2 | 12 | 2154+63 | 5 | 42 |
| 40.8R2 | 12 | 2154+81 | 5 | 65 |
| 40.8R2 | 12 | 2155+10 | 6 | 86 |
| 40.8R2 | 12 | 2155+29 | 5 | 109 |
| 40.8R2 | 12 | 2155+51 | 5 | 145 |
| 40.8R2 | 12 | 2155+74 | 5 | 165 |
| 40.8R2 | 12 | 2156+15 | 7 | 26 |
| 40.8R2 | 12 | 2156+35 | 6 | 49 |
| 40.8R2 | 12 | 2156+54 | 6 | 72 |
| 40.9R2 | 12 | 2156+91 | 5 | 19 |
| 40.9R2 | 12 | 2157+11 | 5 | 39 |
| 40.9R2 | 12 | 2157+29 | 5 | 60 |
| 40.9R2 | 12 | 2157+52 | 5 | 84 |
| 40.9R2 | 12 | 2157+71 | 4 | 107 |
| 40.9R2 | 12 | 2157+91 | 4 | 124 |
| 40.9R2 | 12 | 2158+09 | 4 | 142 |
| 40.9 | 12 | 2158+41 | 4 | 113 |
| 40.9 | 12 | 2158+41 | 4 | 129 |
| 40.9 | 12 | 2158+48 | 4 | 190 |
| 40.9R2 | 12 | 2158+54 | 4 | 56 |
| 40.9R2 | 12 | 2159+13 | 3 | 131 |
| 40.9 | 18 | 2159+22 | 4 | 263 |

STANDARD E&S WORKSHEET #1

Compost Filter Socks

| | | |
|--------------------|---------------------------|---------------|
| PROJECT NAME: | PENNEAST PIPELINE PROJECT | |
| LOCATION: | CARBON COUNTY | |
| PROJECT COMPONENT: | MAINLINE | |
| PREPARED BY: | KEK / JMB | DATE: 10/2019 |
| CHECKED BY: | MDN | DATE: 10/2019 |

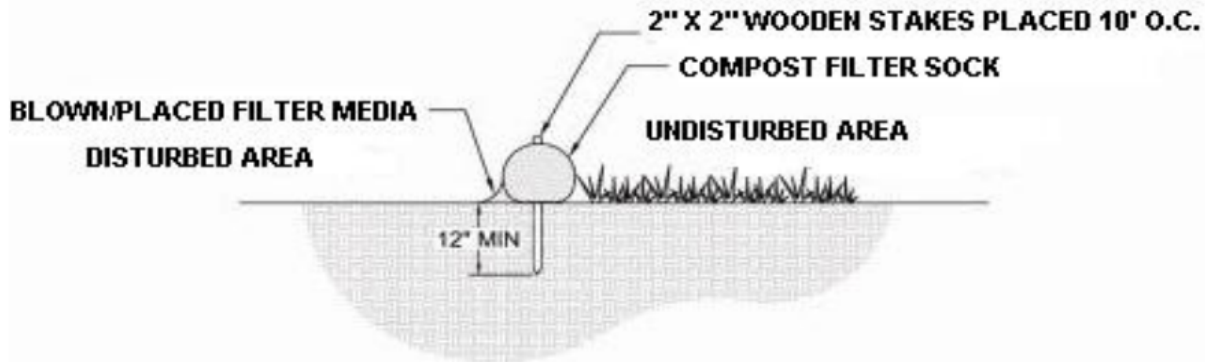


| MILEPOST | DIAMETER (IN) | LOCATION | SLOPE PERCENT | SLOPE LENGTH ABOVE BARRIER (FT) |
|----------|---------------|-----------------|---------------|---------------------------------|
| | | APPROX. STATION | | |
| 40.9R2 | 12 | 2159+82 | 3 | 205 |
| 40.9 | 24 | 2160+67 | 3 | 495 |
| 40.9 | 12 | 2161+33 | 4 | 66 |
| 40.9 | 12 | 2161+45 | 4 | 97 |
| 40.9 | 12 | 2161+99 | 4 | 105 |
| 41.0 | 12 | 2162+90 | 3 | 53 |
| 41.0 | 12 | 2163+52 | 3 | 98 |
| 41.0 | 12 | 2164+26 | 3 | 58 |
| 41.0 | 12 | 2164+47 | 3 | 62 |
| 41.0 | 12 | 2164+70 | 4 | 76 |
| 41.0 | 12 | 2164+98 | 4 | 21 |
| 41.0 | 12 | 2165+24 | 4 | 39 |
| 41.0 | 12 | 2165+50 | 4 | 60 |
| 41.0 | 12 | 2165+86 | 6 | 24 |
| 41.0 | 12 | 2165+95 | 2 | 45 |
| 41.0 | 12 | 2165+96 | 4 | 12 |
| 41.0 | 12 | 2166+05 | 4 | 58 |
| 41.0 | 12 | 2166+94 | 5 | 49 |
| 41.0 | 12 | 2167+24 | 5 | 66 |
| 41.1 | 12 | 2168+10 | 4 | 49 |
| 41.1 | 12 | 2168+29 | 4 | 66 |
| 41.1 | 12 | 2168+45 | 4 | 81 |
| 41.1 | 12 | 2169+44 | 0 | 7 |
| 41.1 | 12 | 2169+49 | 5 | 24 |
| 41.1 | 12 | 2169+52 | 5 | 22 |
| 41.1 | 12 | 2169+65 | 5 | 52 |

STANDARD E&S WORKSHEET #1

Compost Filter Socks

| | | |
|--------------------|---------------------------|---------------|
| PROJECT NAME: | PENNEAST PIPELINE PROJECT | |
| LOCATION: | CARBON COUNTY | |
| PROJECT COMPONENT: | MAINLINE | |
| PREPARED BY: | KEK / JMB | DATE: 10/2019 |
| CHECKED BY: | MDN | DATE: 10/2019 |

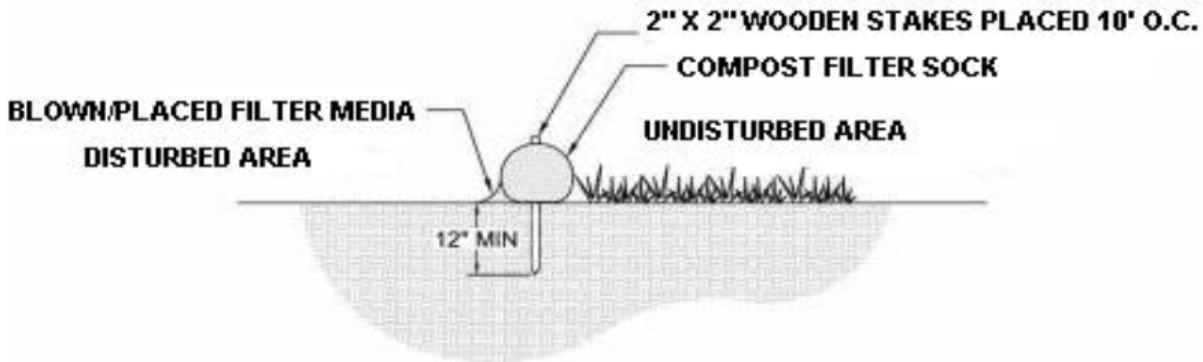


| MILEPOST | DIAMETER (IN) | LOCATION | SLOPE PERCENT | SLOPE LENGTH ABOVE BARRIER (FT) |
|----------|---------------|-----------------|---------------|---------------------------------|
| | | APPROX. STATION | | |
| 41.1 | 12 | 2170+69 | 5 | 54 |
| 41.1 | 12 | 2170+90 | 5 | 66 |
| 41.1 | 12 | 2171+40 | 8 | 20 |
| 41.1 | 12 | 2171+60 | 7 | 50 |
| 41.1 | 12 | 2171+74 | 6 | 66 |
| 41.1 | 12 | 2172+24 | 5 | 18 |
| 41.2 | 12 | 2172+87 | 2 | 9 |
| 41.2 | 12 | 2173+04 | 4 | 162 |
| 41.2 | 12 | 2174+29 | 7 | 53 |
| 41.2 | 12 | 2174+40 | 7 | 54 |
| 41.2 | 12 | 2176+37 | 8 | 23 |
| 41.2 | 12 | 2176+82 | 9 | 42 |
| 41.2 | 12 | 2177+10 | 9 | 48 |
| 41.2 | 12 | 2177+29 | 3 | 22 |
| 41.2 | 12 | 2177+46 | 7 | 42 |
| 41.2 | 12 | 2177+70 | 4 | 16 |
| 41.3 | 12 | 2178+56 | 5 | 194 |
| 41.3 | 12 | 2180+49 | 6 | 63 |
| 41.3 | 12 | 2180+88 | 5 | 45 |
| 41.3 | 12 | 2180+98 | 5 | 24 |
| 41.3 | 12 | 2181+17 | 4 | 16 |
| 41.3 | 12 | 2181+49 | 4 | 70 |
| 41.3 | 12 | 2182+02 | 5 | 73 |
| 41.3 | 12 | 2183+00 | 4 | 95 |
| 41.4 | 12 | 2185+32 | 3 | 85 |
| 41.4 | 12 | 2185+69 | 4 | 128 |

STANDARD E&S WORKSHEET #1

Compost Filter Socks

| | | |
|--------------------|---------------------------|---------------|
| PROJECT NAME: | PENNEAST PIPELINE PROJECT | |
| LOCATION: | CARBON COUNTY | |
| PROJECT COMPONENT: | MAINLINE | |
| PREPARED BY: | KEK / JMB | DATE: 10/2019 |
| CHECKED BY: | MDN | DATE: 10/2019 |

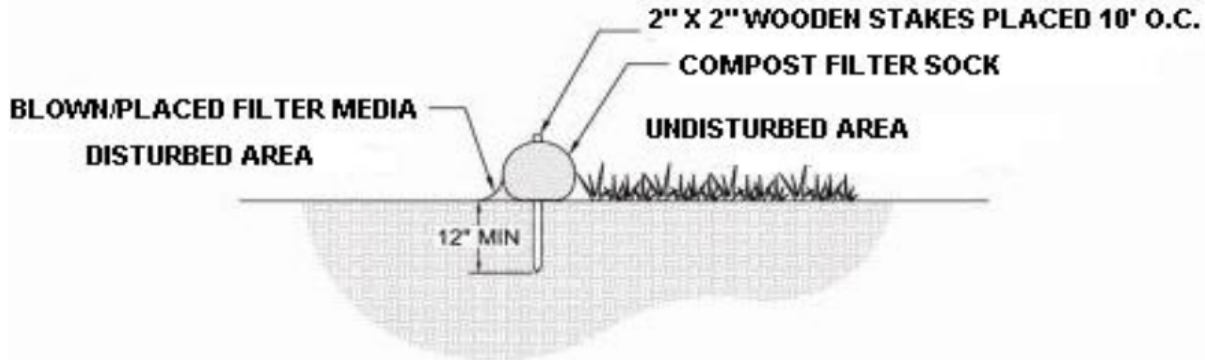


| MILEPOST | DIAMETER (IN) | LOCATION | SLOPE PERCENT | SLOPE LENGTH ABOVE BARRIER (FT) |
|----------|---------------|-----------------|---------------|---------------------------------|
| | | APPROX. STATION | | |
| 41.4 | 12 | 2186+61 | 3 | 99 |
| 41.4 | 12 | 2187+03 | 3 | 98 |
| 41.4 | 12 | 2187+60 | 4 | 98 |
| 41.5 | 12 | 2188+73 | 2 | 73 |
| 41.5 | 12 | 2188+94 | 3 | 83 |
| 41.5 | 12 | 2189+00 | 2 | 67 |
| 41.5 | 12 | 2189+60 | 0 | 33 |
| 41.5 | 12 | 2190+34 | 3 | 47 |
| 41.5 | 12 | 2190+69 | 2 | 39 |
| 41.5 | 12 | 2191+38 | 2 | 99 |
| 41.5 | 12 | 2191+58 | 2 | 108 |
| 41.5 | 12 | 2191+77 | 2 | 115 |
| 41.5 | 12 | 2193+11 | 3 | 135 |
| 41.6 | 12 | 2193+92 | 7 | 32 |
| 41.6 | 12 | 2194+13 | 5 | 68 |
| 41.6 | 12 | 2195+62 | 5 | 22 |
| 41.6 | 12 | 2195+69 | 4 | 24 |
| 41.6 | 12 | 2195+78 | 3 | 23 |
| 41.6 | 12 | 2195+88 | 4 | 18 |
| 41.6 | 12 | 2197+32 | 3 | 76 |
| 41.6 | 12 | 2197+44 | 4 | 119 |
| 41.7 | 12 | 2200+38 | 19 | 43 |
| 41.7 | 12 | 2200+40 | 19 | 30 |
| 41.7 | 12 | 2200+57 | 7 | 53 |
| 41.7 | 12 | 2202+19 | 8 | 25 |
| 41.7 | 12 | 2202+31 | 9 | 24 |

STANDARD E&S WORKSHEET #1

Compost Filter Socks

| | | |
|--------------------|---------------------------|---------------|
| PROJECT NAME: | PENNEAST PIPELINE PROJECT | |
| LOCATION: | CARBON COUNTY | |
| PROJECT COMPONENT: | MAINLINE | |
| PREPARED BY: | KEK / JMB | DATE: 10/2019 |
| CHECKED BY: | MDN | DATE: 10/2019 |

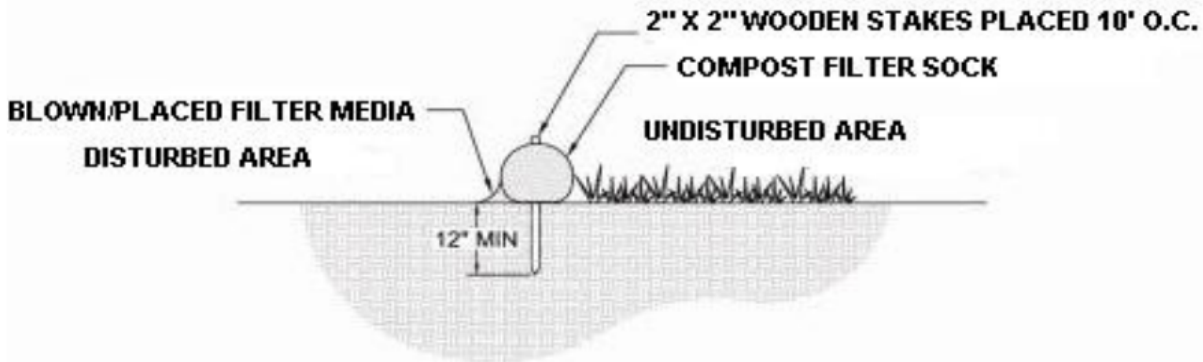


| MILEPOST | DIAMETER (IN) | LOCATION | SLOPE PERCENT | SLOPE LENGTH ABOVE BARRIER (FT) |
|----------|---------------|-----------------|---------------|---------------------------------|
| | | APPROX. STATION | | |
| 41.8 | 18 | 2207+25 | 11 | 123 |
| 41.8 | 18 | 2207+59 | 12 | 100 |
| 41.8 | 12 | 2207+93 | 11 | 80 |
| 41.8 | 12 | 2208+15 | 9 | 65 |
| 41.8 | 12 | 2208+34 | 6 | 59 |
| 41.8 | 12 | 2209+34 | 3 | 52 |
| 41.9 | 12 | 2209+77 | 6 | 75 |
| 41.9 | 12 | 2209+85 | 2 | 95 |
| 41.9 | 12 | 2210+08 | 7 | 98 |
| 41.9 | 12 | 2210+64 | 8 | 32 |
| 41.9 | 12 | 2210+97 | 8 | 59 |
| 41.9 | 12 | 2211+38 | 9 | 95 |
| 41.9 | 12 | 2211+64 | 10 | 114 |
| 41.9 | 12 | 2211+90 | 17 | 14 |
| 41.9 | 12 | 2212+12 | 19 | 32 |
| 41.9 | 12 | 2212+33 | 19 | 49 |
| 41.9 | 18 | 2212+62 | 19 | 71 |
| 41.9 | 12 | 2212+97 | 18 | 18 |
| 41.9 | 12 | 2213+17 | 20 | 35 |
| 41.9 | 18 | 2213+43 | 22 | 57 |
| 41.9 | 18 | 2213+66 | 23 | 76 |
| 41.9 | 12 | 2213+95 | 22 | 17 |
| 41.9 | 12 | 2214+18 | 21 | 34 |
| 41.9 | 18 | 2214+42 | 22 | 55 |
| 41.9 | 18 | 2214+66 | 22 | 76 |
| 42.0 | 12 | 2214+97 | 19 | 16 |

STANDARD E&S WORKSHEET #1

Compost Filter Socks

| | | | |
|--------------------|---------------------------|-------|---------|
| PROJECT NAME: | PENNEAST PIPELINE PROJECT | | |
| LOCATION: | CARBON COUNTY | | |
| PROJECT COMPONENT: | MAINLINE | | |
| PREPARED BY: | KEK / JMB | DATE: | 10/2019 |
| CHECKED BY: | MDN | DATE: | 10/2019 |

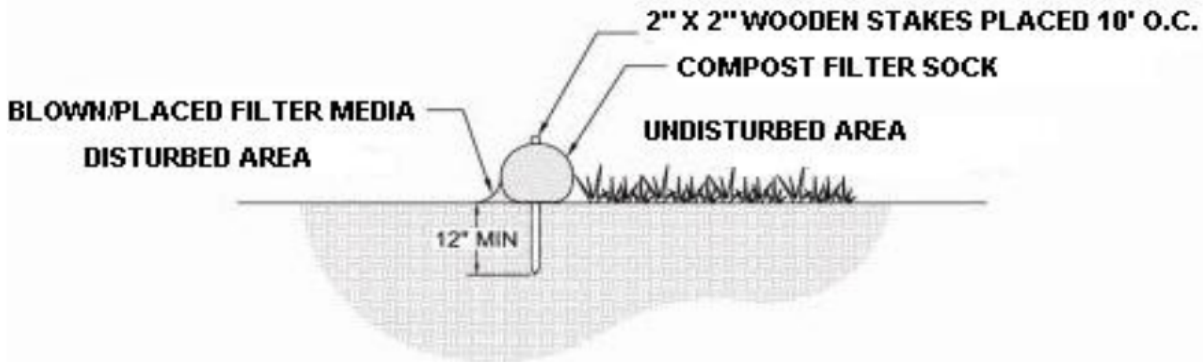


| MILEPOST | DIAMETER (IN) | LOCATION | SLOPE PERCENT | SLOPE LENGTH ABOVE BARRIER (FT) |
|----------|---------------|-----------------|---------------|---------------------------------|
| | | APPROX. STATION | | |
| 42.0 | 12 | 2215+19 | 18 | 35 |
| 42.0 | 12 | 2215+43 | 18 | 56 |
| 42.0 | 18 | 2215+70 | 18 | 78 |
| 42.0 | 12 | 2218+17 | 9 | 68 |
| 42.0 | 12 | 2218+32 | 12 | 63 |
| 42.0 | 12 | 2219+63 | 9 | 37 |
| 42.1R2 | 12 | 2224+16 | 3 | 164 |
| 42.1R2 | 12 | 2224+39 | 3 | 93 |
| 42.1R2 | 12 | 2224+99 | 7 | 128 |
| 42.1R2 | 12 | 2225+22 | 7 | 131 |
| 42.2R2 | 18 | 2226+07 | 8 | 156 |
| 42.2R2 | 18 | 2227+12 | 14 | 152 |
| 42.2R2 | 18 | 2227+94 | 13 | 150 |
| 42.2R2 | 18 | 2228+33 | 11 | 176 |
| 42.2R2 | 18 | 2228+94 | 10 | 156 |
| 42.2R2 | 18 | 2229+16 | 10 | 156 |
| 42.2R2 | 18 | 2229+38 | 9 | 154 |
| 42.2R2 | 18 | 2229+61 | 9 | 151 |
| 42.2R2 | 12 | 2229+92 | 8 | 132 |
| 42.2R2 | 12 | 2230+20 | 8 | 106 |
| 42.2R2 | 12 | 2230+47 | 8 | 81 |
| 42.2R2 | 12 | 2230+73 | 8 | 57 |
| 42.3R2 | 12 | 2231+54 | 9 | 117 |
| 42.3R2 | 12 | 2231+86 | 10 | 88 |
| 42.3R2 | 12 | 2232+21 | 9 | 60 |
| 42.3R2 | 12 | 2232+42 | 10 | 31 |

STANDARD E&S WORKSHEET #1

Compost Filter Socks

| | | |
|--------------------|---------------------------|---------------|
| PROJECT NAME: | PENNEAST PIPELINE PROJECT | |
| LOCATION: | CARBON COUNTY | |
| PROJECT COMPONENT: | MAINLINE | |
| PREPARED BY: | KEK / JMB | DATE: 10/2019 |
| CHECKED BY: | MDN | DATE: 10/2019 |

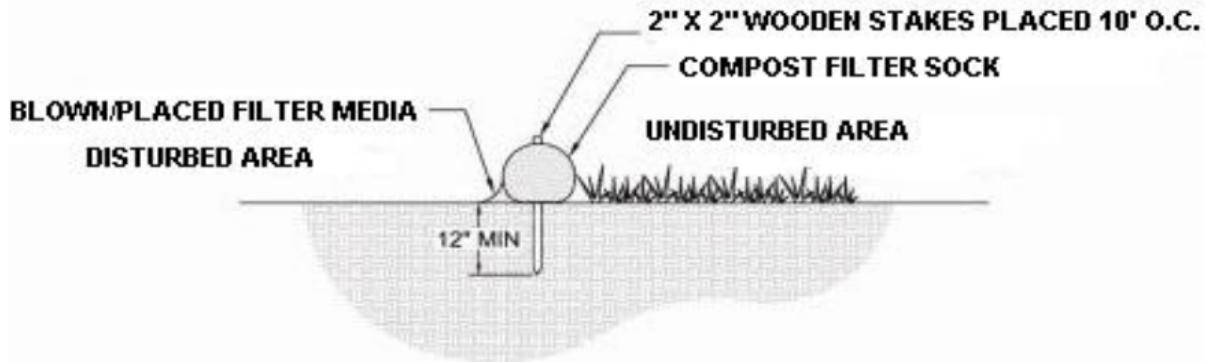


| MILEPOST | DIAMETER (IN) | LOCATION | SLOPE PERCENT | SLOPE LENGTH ABOVE BARRIER (FT) |
|----------|---------------|-----------------|---------------|---------------------------------|
| | | APPROX. STATION | | |
| 42.4R2 | 12 | 2240+73 | 5 | 141 |
| 42.5R2 | 12 | 2241+54 | 4 | 140 |
| 42.5R2 | 12 | 2241+97 | 3 | 142 |
| 42.6R2 | 12 | 2249+69 | 2 | 234 |
| 42.6R2 | 12 | 2249+95 | 6 | 59 |
| 42.6R2 | 12 | 2250+01 | 3 | 205 |
| 42.7 | 18 | 2256+97 | 14 | 129 |
| 42.8 | 18 | 2257+24 | 13 | 158 |
| 42.8 | 12 | 2257+51 | 7 | 86 |
| 42.8 | 12 | 2257+71 | 7 | 114 |
| 42.8 | 12 | 2257+93 | 7 | 138 |
| 42.8 | 12 | 2258+88 | 7 | 66 |
| 42.8 | 12 | 2259+26 | 7 | 99 |
| 42.8 | 12 | 2259+65 | 8 | 135 |
| 42.8 | 12 | 2259+80 | 9 | 146 |
| 42.8 | 18 | 2260+67 | 6 | 249 |
| 42.9 | 12 | 2265+15 | 6 | 21 |
| 42.9 | 12 | 2265+34 | 6 | 38 |
| 42.9 | 12 | 2265+51 | 6 | 52 |
| 42.9 | 12 | 2265+69 | 6 | 66 |
| 42.9 | 12 | 2265+87 | 7 | 80 |
| 42.9 | 12 | 2266+34 | 7 | 111 |
| 42.9 | 12 | 2266+93 | 7 | 127 |
| 42.9 | 12 | 2267+60 | 11 | 33 |
| 43.0R3 | 12 | 2268+30 | 10 | 75 |
| 43.0R3 | 12 | 2268+69 | 10 | 99 |

STANDARD E&S WORKSHEET #1

Compost Filter Socks

| | | |
|--------------------|---------------------------|---------------|
| PROJECT NAME: | PENNEAST PIPELINE PROJECT | |
| LOCATION: | CARBON COUNTY | |
| PROJECT COMPONENT: | MAINLINE | |
| PREPARED BY: | KEK / JMB | DATE: 10/2019 |
| CHECKED BY: | MDN | DATE: 10/2019 |

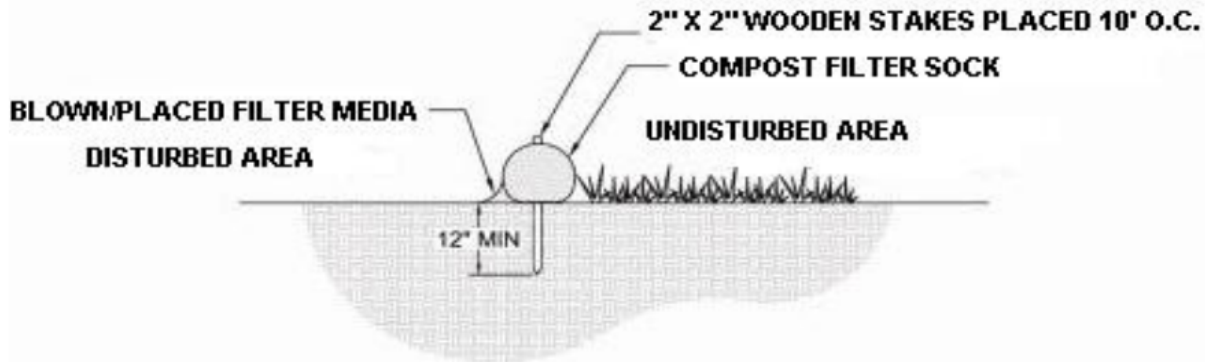


| MILEPOST | DIAMETER (IN) | LOCATION | SLOPE PERCENT | SLOPE LENGTH ABOVE BARRIER (FT) |
|----------|---------------|-----------------|---------------|---------------------------------|
| | | APPROX. STATION | | |
| 43.0R3 | 12 | 2269+45 | 7 | 34 |
| 43.0R3 | 12 | 2270+23 | 7 | 89 |
| 43.0R3 | 12 | 2272+81 | 5 | 143 |
| 43.1R3 | 12 | 2273+08 | 5 | 168 |
| 43.1R3 | 12 | 2273+13 | 5 | 186 |
| 43.1R3 | 12 | 2273+53 | 4 | 183 |
| 43.1R3 | 12 | 2274+47 | 4 | 187 |
| 43.1R3 | 12 | 2274+63 | 5 | 187 |
| 43.1R3 | 12 | 2274+81 | 5 | 190 |
| 43.1R3 | 12 | 2274+83 | 5 | 176 |
| 43.1R3 | 12 | 2274+96 | 5 | 155 |
| 43.1R3 | 24 | 2275+05 | 5 | 401 |
| 43.1R3 | 18 | 2275+15 | 4 | 333 |
| 43.1R3 | 12 | 2275+23 | 5 | 247 |
| 43.1R3 | 12 | 2276+31 | 2 | 77 |
| 43.1R3 | 12 | 2277+89 | 2 | 146 |
| 43.1R3 | 12 | 2278+12 | 2 | 165 |
| 43.2R3 | 12 | 2278+51 | 3 | 28 |
| 43.2R3 | 12 | 2278+70 | 3 | 70 |
| 43.2R3 | 12 | 2278+84 | 3 | 101 |
| 43.2R3 | 12 | 2278+99 | 3 | 132 |
| 43.2R3 | 12 | 2279+17 | 3 | 156 |
| 43.2R3 | 12 | 2279+38 | 3 | 182 |
| 43.2R3 | 12 | 2280+78 | 3 | 178 |
| 43.2R3 | 18 | 2282+57 | 3 | 295 |
| 43.2R3 | 18 | 2282+60 | 2 | 310 |

STANDARD E&S WORKSHEET #1

Compost Filter Socks

| | | | |
|--------------------|---------------------------|-------|---------|
| PROJECT NAME: | PENNEAST PIPELINE PROJECT | | |
| LOCATION: | CARBON COUNTY | | |
| PROJECT COMPONENT: | MAINLINE | | |
| PREPARED BY: | KEK / JMB | DATE: | 10/2019 |
| CHECKED BY: | MDN | DATE: | 10/2019 |

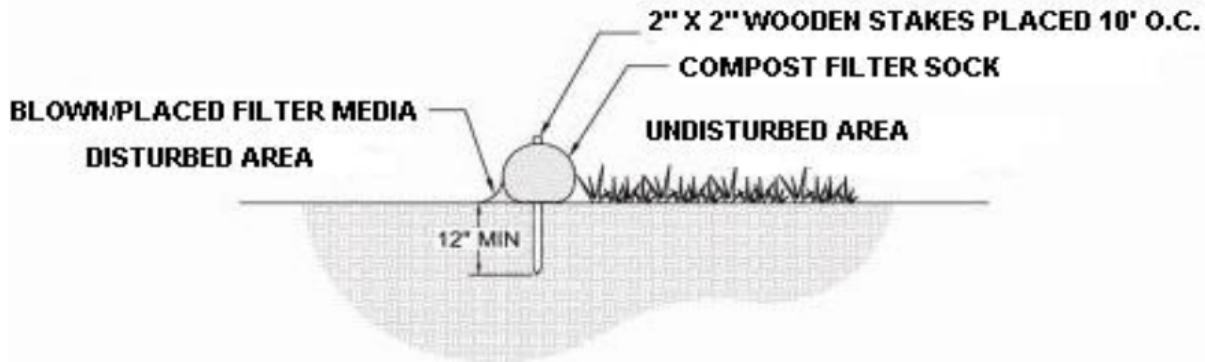


| MILEPOST | DIAMETER (IN) | LOCATION | SLOPE PERCENT | SLOPE LENGTH ABOVE BARRIER (FT) |
|----------|---------------|-----------------|---------------|---------------------------------|
| | | APPROX. STATION | | |
| 44.4R3 | 12 | 2342+65 | 15 | 74 |
| 44.4R3 | 18 | 2342+66 | 15 | 129 |
| 44.4R3 | 18 | 2342+68 | 15 | 101 |
| 44.4R3 | 18 | 2342+68 | 15 | 111 |
| 44.4R3 | 18 | 2342+68 | 15 | 121 |
| 44.4R3 | 12 | 2342+68 | 15 | 81 |
| 44.4R3 | 12 | 2342+68 | 15 | 91 |
| 44.4R3 | 18 | 2342+93 | 14 | 104 |
| 44.4R3 | 12 | 2343+15 | 14 | 84 |
| 44.4R3 | 12 | 2343+38 | 14 | 64 |
| 44.4R3 | 12 | 2343+60 | 15 | 45 |
| 44.4R3 | 12 | 2343+83 | 15 | 25 |
| 44.4R3 | 12 | 2344+55 | 15 | 71 |
| 44.4R3 | 12 | 2344+74 | 16 | 48 |
| 44.4R3 | 12 | 2344+92 | 16 | 25 |
| 44.4R3 | 12 | 2345+53 | 15 | 92 |
| 44.4R3 | 18 | 2346+77 | 23 | 71 |
| 44.4R3 | 18 | 2346+90 | 24 | 57 |
| 44.5R3 | 12 | 2347+18 | 25 | 45 |
| 44.5R3 | 12 | 2347+32 | 25 | 37 |
| 44.5R3 | 12 | 2347+45 | 27 | 31 |
| 44.5R3 | 12 | 2347+58 | 29 | 25 |
| 44.5R3 | 12 | 2347+72 | 30 | 18 |
| 44.5R3 | 12 | 2347+86 | 33 | 11 |
| 44.5R3 | 24 | 2348+20 | 33 | 62 |
| 44.5R3 | 18 | 2348+34 | 34 | 56 |

STANDARD E&S WORKSHEET #1

Compost Filter Socks

| | | |
|--------------------|---------------------------|---------------|
| PROJECT NAME: | PENNEAST PIPELINE PROJECT | |
| LOCATION: | CARBON COUNTY | |
| PROJECT COMPONENT: | MAINLINE | |
| PREPARED BY: | KEK / JMB | DATE: 10/2019 |
| CHECKED BY: | MDN | DATE: 10/2019 |

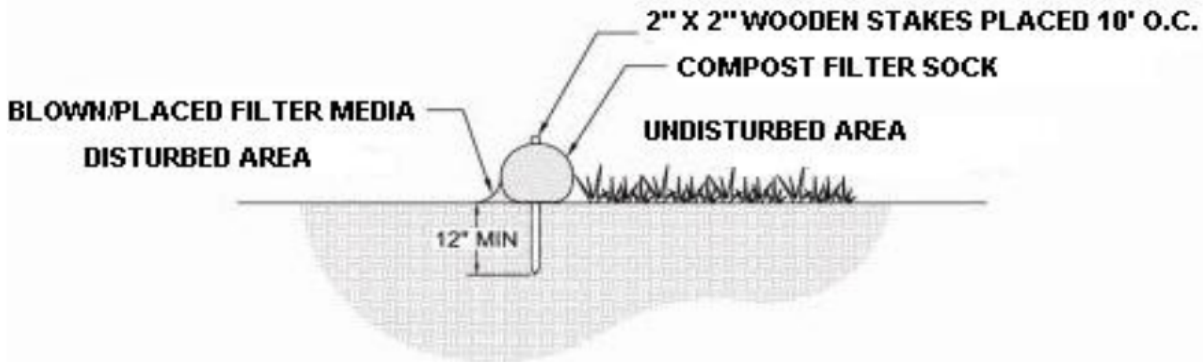


| MILEPOST | DIAMETER (IN) | LOCATION | SLOPE PERCENT | SLOPE LENGTH ABOVE BARRIER (FT) |
|----------|---------------|-----------------|---------------|---------------------------------|
| | | APPROX. STATION | | |
| 44.5R3 | 24 | 2348+46 | 36 | 51 |
| 44.5R3 | 18 | 2348+61 | 37 | 44 |
| 44.5R3 | 18 | 2348+75 | 39 | 38 |
| 44.5R3 | 12 | 2348+89 | 39 | 32 |
| 44.5R3 | 12 | 2349+03 | 39 | 24 |
| 44.5R3 | 12 | 2349+03 | 31 | 36 |
| 44.5R3 | 18 | 2349+03 | 25 | 72 |
| 44.5R3 | 18 | 2349+04 | 25 | 63 |
| 44.5R3 | 12 | 2349+18 | 39 | 13 |
| 44.5R3 | 12 | 2349+59 | 45 | 29 |
| 44.5R3 | 12 | 2349+74 | 47 | 16 |
| 44.5R3 | 18 | 2350+78 | 29 | 54 |
| 44.5R3 | 12 | 2350+97 | 29 | 40 |
| 44.5R3 | 12 | 2351+19 | 29 | 21 |
| 44.5R3 | 18 | 2351+51 | 14 | 110 |
| 44.5R3 | 12 | 2351+76 | 12 | 86 |
| 44.5R3 | 12 | 2352+01 | 11 | 62 |
| 44.5R3 | 12 | 2352+25 | 9 | 38 |
| 44.6R2 | 12 | 2352+46 | 7 | 18 |
| 44.6R2 | 32 | 2354+86 | 2 | 592 |
| 44.6R2 | 32 | 2355+22 | 2 | 580 |
| 44.6R2 | 12 | 2355+66 | 2 | 80 |
| 44.6R2 | 32 | 2356+38 | 3 | 518 |
| 44.6R2 | 24 | 2356+76 | 3 | 499 |
| 44.6R2 | 32 | 2357+13 | 3 | 507 |
| 44.7R2 | 18 | 2357+63 | 3 | 328 |

STANDARD E&S WORKSHEET #1

Compost Filter Socks

| | | | |
|--------------------|---------------------------|-------|---------|
| PROJECT NAME: | PENNEAST PIPELINE PROJECT | | |
| LOCATION: | CARBON COUNTY | | |
| PROJECT COMPONENT: | MAINLINE | | |
| PREPARED BY: | KEK / JMB | DATE: | 10/2019 |
| CHECKED BY: | MDN | DATE: | 10/2019 |

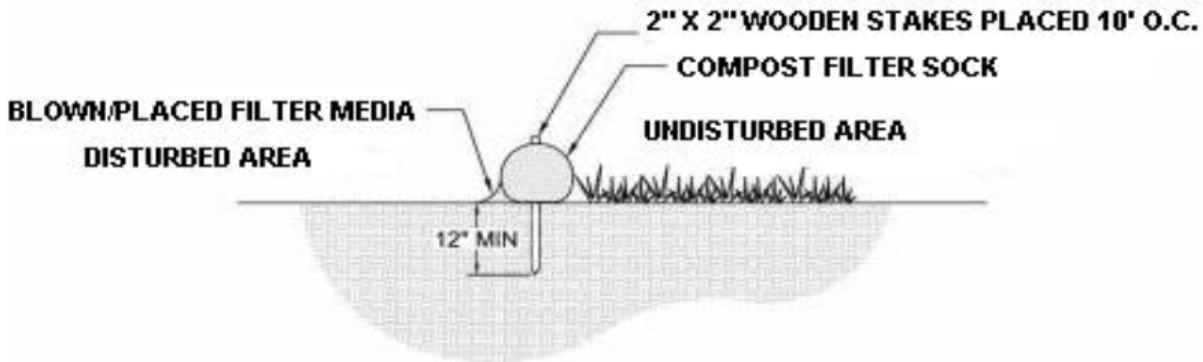


| MILEPOST | DIAMETER (IN) | LOCATION | SLOPE PERCENT | SLOPE LENGTH ABOVE BARRIER (FT) |
|----------|---------------|-----------------|---------------|---------------------------------|
| | | APPROX. STATION | | |
| 44.7R2 | 18 | 2359+90 | 3 | 339 |
| 44.7R2 | 24 | 2360+50 | 3 | 356 |
| 44.7R2 | 12 | 2361+16 | 9 | 11 |
| 44.7R2 | 12 | 2361+41 | 8 | 31 |
| 44.8R2 | 12 | 2363+17 | 23 | 44 |
| 44.8R2 | 18 | 2363+40 | 24 | 68 |
| 44.8R2 | 12 | 2363+56 | 31 | 15 |
| 44.8R2 | 12 | 2363+73 | 31 | 22 |
| 44.8R2 | 18 | 2363+81 | 31 | 43 |
| 44.8R2 | 12 | 2364+07 | 35 | 16 |
| 44.8R2 | 12 | 2364+21 | 35 | 25 |
| 44.8R2 | 24 | 2364+25 | 33 | 67 |
| 44.8R2 | 24 | 2364+51 | 30 | 82 |
| 44.8R2 | 24 | 2365+22 | 24 | 106 |
| 44.8R2 | 24 | 2365+57 | 25 | 111 |
| 44.8R2 | 32 | 2365+61 | 28 | 101 |
| 44.8R2 | 12 | 2365+69 | 26 | 34 |
| 44.8R2 | 18 | 2366+03 | 26 | 54 |
| 44.8R2 | 12 | 2366+03 | 25 | 44 |
| 44.8R2 | 12 | 2366+57 | 34 | 33 |
| 44.8R2 | 12 | 2366+57 | 34 | 26 |
| 44.8R2 | 12 | 2366+57 | 30 | 40 |
| 44.8R2 | 12 | 2367+03 | 16 | 15 |
| 44.8R2 | 12 | 2367+04 | 4 | 16 |
| 44.8R2 | 12 | 2367+18 | 8 | 59 |
| 44.8R2 | 12 | 2367+47 | 11 | 50 |

STANDARD E&S WORKSHEET #1

Compost Filter Socks

| | | | |
|--------------------|---------------------------|-------|---------|
| PROJECT NAME: | PENNEAST PIPELINE PROJECT | | |
| LOCATION: | CARBON COUNTY | | |
| PROJECT COMPONENT: | MAINLINE | | |
| PREPARED BY: | KEK / JMB | DATE: | 10/2019 |
| CHECKED BY: | MDN | DATE: | 10/2019 |

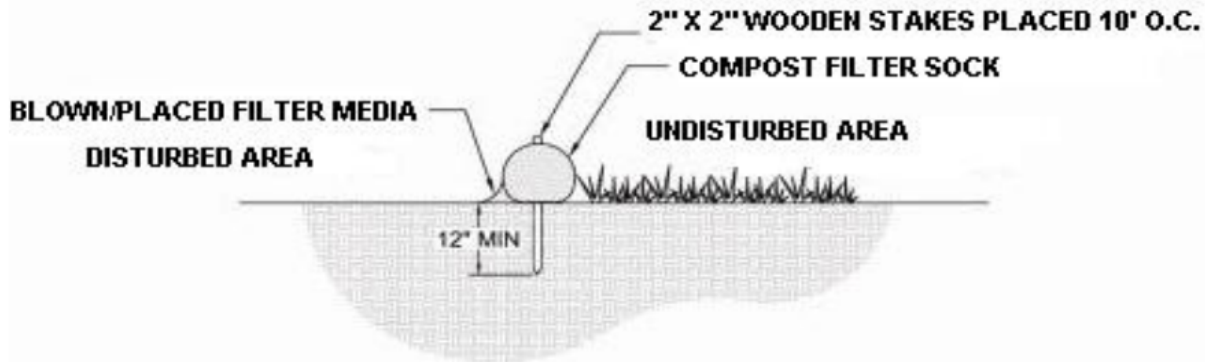


| MILEPOST | DIAMETER (IN) | LOCATION | SLOPE PERCENT | SLOPE LENGTH ABOVE BARRIER (FT) |
|----------|---------------|-----------------|---------------|---------------------------------|
| | | APPROX. STATION | | |
| 44.8R2 | 12 | 2367+62 | 11 | 39 |
| 44.8R2 | 12 | 2367+77 | 11 | 35 |
| 44.8R2 | 12 | 2367+93 | 12 | 20 |
| 44.8R2 | 12 | 2368+06 | 13 | 10 |
| 44.9R4 | 32" DURASOXX | 2368+24 | 31 | 123 |
| 44.9R4 | 12 | 2368+30 | 16 | 30 |
| 44.9R4 | 32" DURASOXX | 2368+32 | 29 | 138 |
| 44.9R4 | 32 | 2368+36 | 37 | 84 |
| 44.9R4 | 24 | 2368+40 | 37 | 62 |
| 44.9R4 | 12 | 2368+43 | 15 | 22 |
| 44.9R4 | 18 | 2368+74 | 27 | 48 |
| 44.9R4 | 24 | 2368+82 | 28 | 74 |
| 44.9R4 | 32 | 2368+93 | 30 | 107 |
| 44.9R4 | 12 | 2369+29 | 32 | 30 |
| 44.9R4 | 12 | 2371+22 | 12 | 59 |
| 44.9R4 | 12 | 2371+89 | 11 | 60 |
| 44.9R4 | 18 | 2372+01 | 11 | 103 |
| 44.9R4 | 18 | 2372+33 | 12 | 145 |
| 44.9R4 | 12 | 2372+73 | 21 | 19 |
| 44.9R4 | 12 | 2372+91 | 22 | 34 |
| 44.9R4 | 18 | 2373+11 | 21 | 50 |
| 44.9R4 | 12 | 2373+13 | 22 | 11 |
| 44.9R4 | 12 | 2373+15 | 23 | 17 |
| 44.9R4 | 18 | 2373+30 | 20 | 71 |
| 45.0R2 | 12 | 2377+06 | 20 | 61 |
| 45.0R2 | 12 | 2377+34 | 22 | 35 |

STANDARD E&S WORKSHEET #1

Compost Filter Socks

| | | |
|--------------------|---------------------------|---------------|
| PROJECT NAME: | PENNEAST PIPELINE PROJECT | |
| LOCATION: | CARBON COUNTY | |
| PROJECT COMPONENT: | MAINLINE | |
| PREPARED BY: | KEK / JMB | DATE: 10/2019 |
| CHECKED BY: | MDN | DATE: 10/2019 |

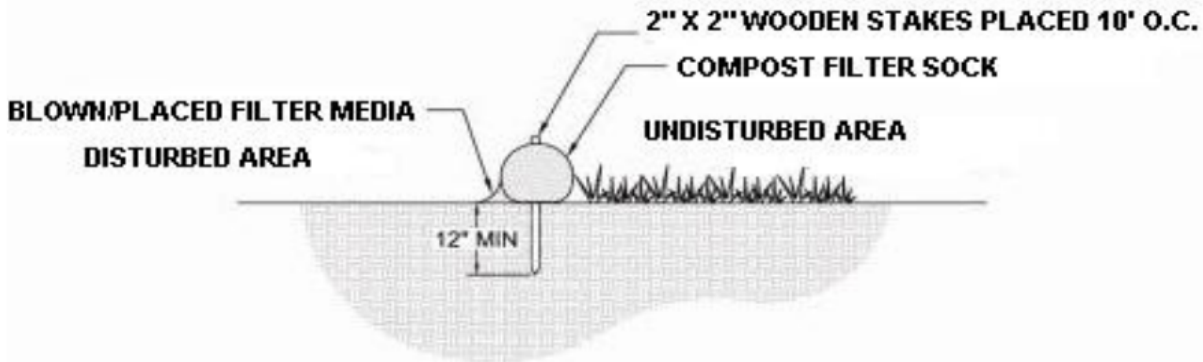


| MILEPOST | DIAMETER (IN) | LOCATION | SLOPE PERCENT | SLOPE LENGTH ABOVE BARRIER (FT) |
|----------|---------------|-----------------|---------------|---------------------------------|
| | | APPROX. STATION | | |
| 45.0R2 | 18 | 2377+53 | 20 | 79 |
| 45.0R2 | 18 | 2377+63 | 19 | 79 |
| 45.0R2 | 12 | 2377+88 | 5 | 11 |
| 45.0R2 | 12 | 2377+99 | 5 | 19 |
| 45.0R2 | 12 | 2378+38 | 5 | 17 |
| 45.0R2 | 12 | 2378+66 | 5 | 22 |
| 45.1 | 12 | 2378+84 | 18 | 23 |
| 45.1 | 12 | 2378+84 | 18 | 25 |
| 45.1 | 12 | 2379+33 | 21 | 9 |
| 45.1 | 12 | 2379+50 | 29 | 14 |
| 45.1 | 24 | 2380+08 | 29 | 80 |
| 45.1 | 18 | 2380+71 | 31 | 58 |
| 45.1 | 18 | 2380+85 | 31 | 47 |
| 45.1 | 12 | 2380+99 | 31 | 35 |
| 45.1 | 12 | 2381+13 | 30 | 24 |
| 45.1 | 12 | 2381+27 | 30 | 13 |
| 45.1 | 24 | 2381+56 | 28 | 75 |
| 45.1 | 32" DURASOXX | 2381+69 | 28 | 141 |
| 45.1 | 32" DURASOXX | 2381+81 | 28 | 131 |
| 45.1 | 32 | 2381+94 | 28 | 122 |
| 45.1 | 18 | 2382+19 | 29 | 68 |
| 45.1 | 18 | 2382+30 | 29 | 59 |
| 45.1 | 18 | 2382+42 | 29 | 49 |
| 45.1 | 12 | 2382+53 | 30 | 39 |
| 45.1 | 12 | 2382+64 | 30 | 31 |
| 45.1 | 12 | 2382+76 | 30 | 22 |

STANDARD E&S WORKSHEET #1

Compost Filter Socks

| | | | |
|--------------------|---------------------------|-------|---------|
| PROJECT NAME: | PENNEAST PIPELINE PROJECT | | |
| LOCATION: | CARBON COUNTY | | |
| PROJECT COMPONENT: | MAINLINE | | |
| PREPARED BY: | KEK / JMB | DATE: | 10/2019 |
| CHECKED BY: | MDN | DATE: | 10/2019 |

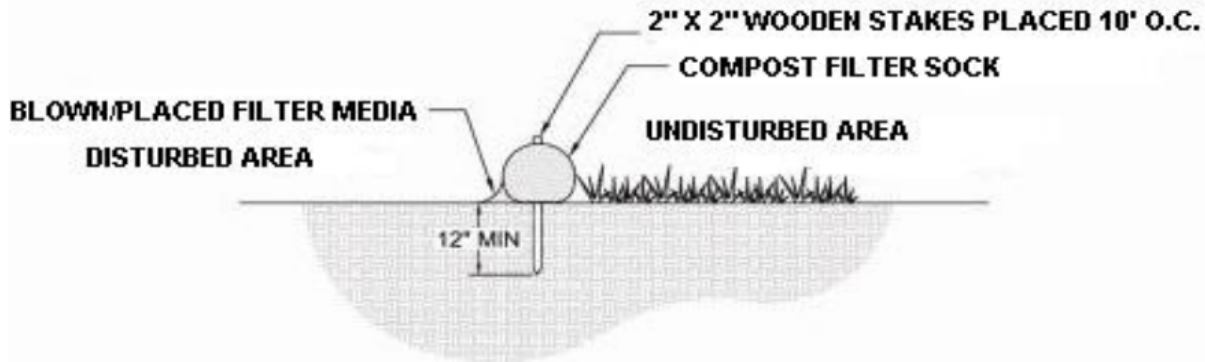


| MILEPOST | DIAMETER (IN) | LOCATION | SLOPE PERCENT | SLOPE LENGTH ABOVE BARRIER (FT) |
|----------|---------------|-----------------|---------------|---------------------------------|
| | | APPROX. STATION | | |
| 45.1 | 12 | 2382+87 | 28 | 13 |
| 45.1 | 18 | 2383+11 | 29 | 66 |
| 45.1 | 18 | 2383+26 | 29 | 57 |
| 45.1 | 18 | 2383+40 | 29 | 47 |
| 45.1 | 12 | 2383+55 | 29 | 39 |
| 45.1 | 12 | 2383+70 | 30 | 33 |
| 45.1 | 12 | 2383+84 | 30 | 28 |
| 45.2 | 12 | 2383+99 | 32 | 21 |
| 45.2 | 12 | 2384+13 | 32 | 15 |
| 45.2 | 18 | 2384+59 | 30 | 62 |
| 45.2 | 18 | 2384+78 | 29 | 55 |
| 45.2 | 18 | 2384+94 | 29 | 46 |
| 45.2 | 12 | 2385+09 | 29 | 38 |
| 45.2 | 12 | 2385+25 | 29 | 31 |
| 45.2 | 12 | 2385+40 | 29 | 23 |
| 45.2 | 12 | 2385+56 | 29 | 15 |
| 45.2 | 24 | 2386+02 | 27 | 82 |
| 45.2 | 24 | 2386+15 | 27 | 72 |
| 45.2 | 18 | 2386+28 | 26 | 61 |
| 45.2 | 18 | 2386+41 | 25 | 51 |
| 45.2 | 12 | 2386+54 | 25 | 39 |
| 45.2 | 12 | 2386+67 | 23 | 29 |
| 45.2 | 12 | 2386+80 | 23 | 19 |
| 45.2 | 18 | 2387+11 | 22 | 74 |
| 45.2 | 18 | 2387+23 | 22 | 64 |
| 45.2 | 18 | 2387+39 | 22 | 52 |

STANDARD E&S WORKSHEET #1

Compost Filter Socks

| | | |
|--------------------|---------------------------|---------------|
| PROJECT NAME: | PENNEAST PIPELINE PROJECT | |
| LOCATION: | CARBON COUNTY | |
| PROJECT COMPONENT: | MAINLINE | |
| PREPARED BY: | KEK / JMB | DATE: 10/2019 |
| CHECKED BY: | MDN | DATE: 10/2019 |

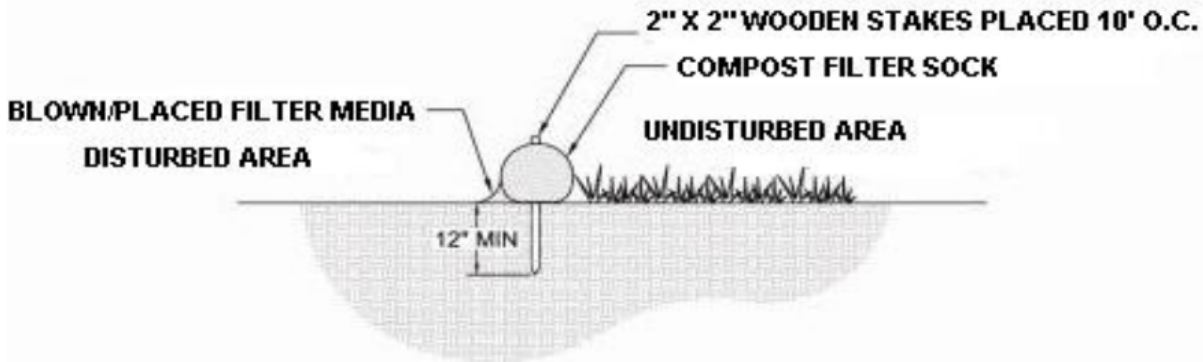


| MILEPOST | DIAMETER (IN) | LOCATION | SLOPE PERCENT | SLOPE LENGTH ABOVE BARRIER (FT) |
|----------|---------------|-----------------|---------------|---------------------------------|
| | | APPROX. STATION | | |
| 45.2 | 12 | 2387+52 | 22 | 41 |
| 45.2 | 12 | 2387+65 | 22 | 30 |
| 45.2 | 12 | 2387+80 | 22 | 19 |
| 45.2 | 12 | 2388+11 | 18 | 35 |
| 45.2 | 12 | 2388+24 | 17 | 24 |
| 45.2 | 12 | 2388+39 | 15 | 12 |
| 45.3 | 32" DURASOXX | 2389+47 | 6 | 574 |
| 45.3 | 18 | 2391+84 | 28 | 46 |
| 45.3 | 18 | 2391+99 | 28 | 64 |
| 45.3 | 24 | 2392+16 | 28 | 81 |
| 45.3 | 12 | 2392+41 | 29 | 15 |
| 45.3 | 32" DURASOXX | 2392+57 | 29 | 158 |
| 45.3 | 24 | 2392+75 | 29 | 75 |
| 45.3 | 12 | 2393+17 | 27 | 27 |
| 45.3 | 12 | 2393+35 | 25 | 41 |
| 45.3 | 18 | 2393+53 | 23 | 56 |
| 45.3 | 18 | 2393+70 | 21 | 70 |
| 45.3 | 18 | 2394+02 | 18 | 93 |
| 45.3 | 18 | 2394+05 | 18 | 78 |
| 45.3 | 24 | 2394+43 | 33 | 75 |
| 45.4 | 24 | 2394+53 | 31 | 71 |
| 45.4 | 12 | 2394+56 | 18 | 56 |
| 45.4 | 24 | 2394+65 | 32 | 63 |
| 45.4 | 12 | 2394+66 | 18 | 38 |
| 45.4 | 18 | 2394+75 | 30 | 59 |
| 45.4 | 24 | 2394+93 | 26 | 98 |

STANDARD E&S WORKSHEET #1

Compost Filter Socks

| | | | |
|--------------------|---------------------------|-------|---------|
| PROJECT NAME: | PENNEAST PIPELINE PROJECT | | |
| LOCATION: | CARBON COUNTY | | |
| PROJECT COMPONENT: | MAINLINE | | |
| PREPARED BY: | KEK / JMB | DATE: | 10/2019 |
| CHECKED BY: | MDN | DATE: | 10/2019 |

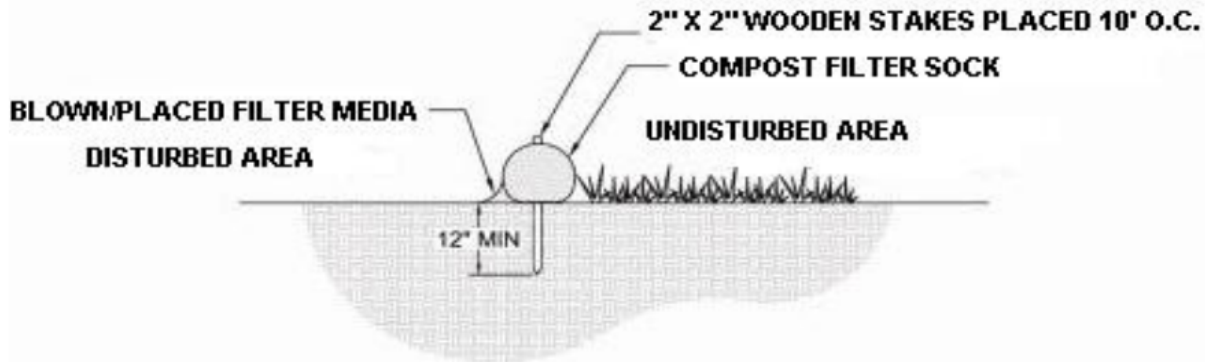


| MILEPOST | DIAMETER (IN) | LOCATION | SLOPE PERCENT | SLOPE LENGTH ABOVE BARRIER (FT) |
|----------|---------------|-----------------|---------------|---------------------------------|
| | | APPROX. STATION | | |
| 45.4 | 24 | 2395+01 | 26 | 93 |
| 45.4 | 18 | 2395+10 | 24 | 90 |
| 45.4 | 12 | 2398+54 | 4 | 223 |
| 45.4 | 12 | 2398+68 | 4 | 215 |
| 45.4 | 32 | 2398+95 | 2 | 501 |
| 45.4 | 12 | 2399+22 | 4 | 246 |
| 45.4 | 12 | 2399+38 | 4 | 246 |
| 45.4 | 18 | 2399+55 | 4 | 251 |
| 45.4 | 12 | 2399+73 | 10 | 67 |
| 45.5 | 12 | 2404+75 | 28 | 37 |
| 45.5 | 12 | 2404+78 | 29 | 31 |
| 45.5 | 12 | 2404+79 | 28 | 24 |
| 45.5 | 12 | 2404+82 | 30 | 20 |
| 45.5 | 18 | 2404+82 | 29 | 56 |
| 45.5 | 18 | 2404+87 | 28 | 45 |
| 45.5 | 12 | 2404+88 | 28 | 38 |
| 45.6 | 12 | 2405+41 | 18 | 42 |
| 45.6 | 12 | 2405+50 | 14 | 43 |
| 45.6 | 24 | 2406+00 | 16 | 195 |
| 45.6 | 32 | 2406+36 | 14 | 307 |
| 45.6 | 12 | 2406+36 | 16 | 34 |
| 45.6 | 12 | 2406+72 | 17 | 25 |
| 45.6 | 12 | 2406+95 | 35 | 8 |
| 45.6 | 12 | 2406+95 | 36 | 15 |
| 45.6 | 12 | 2406+95 | 37 | 21 |
| 45.6 | 12 | 2407+29 | 30 | 32 |

STANDARD E&S WORKSHEET #1

Compost Filter Socks

| | | |
|--------------------|---------------------------|---------------|
| PROJECT NAME: | PENNEAST PIPELINE PROJECT | |
| LOCATION: | CARBON COUNTY | |
| PROJECT COMPONENT: | MAINLINE | |
| PREPARED BY: | KEK / JMB | DATE: 10/2019 |
| CHECKED BY: | MDN | DATE: 10/2019 |

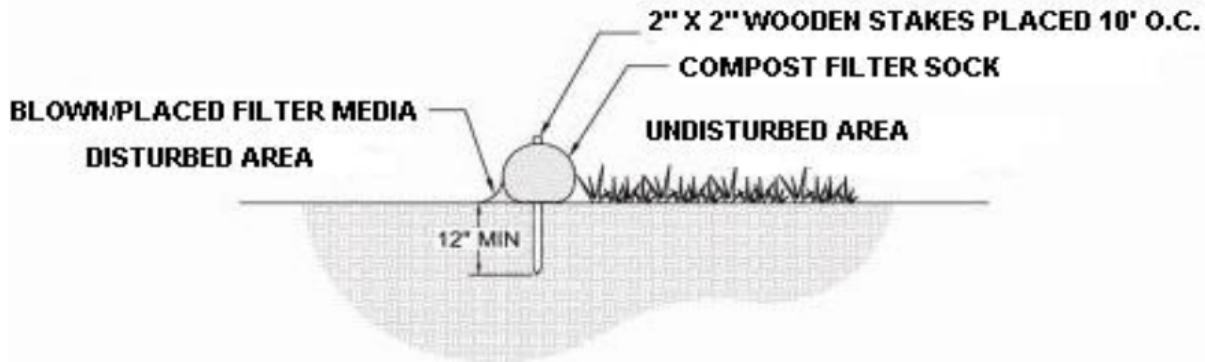


| MILEPOST | DIAMETER (IN) | LOCATION | SLOPE PERCENT | SLOPE LENGTH ABOVE BARRIER (FT) |
|----------|---------------|-----------------|---------------|---------------------------------|
| | | APPROX. STATION | | |
| 45.6 | 12 | 2407+47 | 30 | 16 |
| 45.6 | 18 | 2407+75 | 40 | 41 |
| 45.6 | 12 | 2407+91 | 40 | 28 |
| 45.6 | 12 | 2408+07 | 41 | 15 |
| 45.6 | 12 | 2408+18 | 41 | 11 |
| 45.6 | 24 | 2408+20 | 40 | 46 |
| 45.6 | 18 | 2408+20 | 41 | 34 |
| 45.6 | 12 | 2408+20 | 41 | 23 |
| 45.6 | 24 | 2408+20 | 38 | 55 |
| 45.6 | 24 | 2408+38 | 41 | 41 |
| 45.6 | 12 | 2408+54 | 42 | 27 |
| 45.6 | 12 | 2408+72 | 42 | 12 |
| 45.6 | 12 | 2409+03 | 42 | 18 |
| 45.6 | 24 | 2409+38 | 38 | 63 |
| 45.6 | 24 | 2409+57 | 38 | 47 |
| 45.6 | 12 | 2409+76 | 36 | 31 |
| 45.6 | 12 | 2409+94 | 35 | 14 |
| 45.6 | 24 | 2410+16 | 14 | 209 |
| 45.7R2 | 12 | 2415+57 | 3 | 187 |
| 45.8R2 | 12 | 2417+18 | 4 | 196 |
| 45.8R2 | 12 | 2417+61 | 5 | 37 |
| 45.8R2 | 12 | 2418+07 | 6 | 85 |
| 45.8R2 | 12 | 2418+46 | 6 | 123 |
| 45.8R2 | 12 | 2419+17 | 8 | 45 |
| 45.8R2 | 12 | 2419+45 | 8 | 71 |
| 45.8R2 | 12 | 2419+68 | 9 | 91 |

STANDARD E&S WORKSHEET #1

Compost Filter Socks

| | | | |
|--------------------|---------------------------|-------|---------|
| PROJECT NAME: | PENNEAST PIPELINE PROJECT | | |
| LOCATION: | CARBON COUNTY | | |
| PROJECT COMPONENT: | MAINLINE | | |
| PREPARED BY: | KEK / JMB | DATE: | 10/2019 |
| CHECKED BY: | MDN | DATE: | 10/2019 |

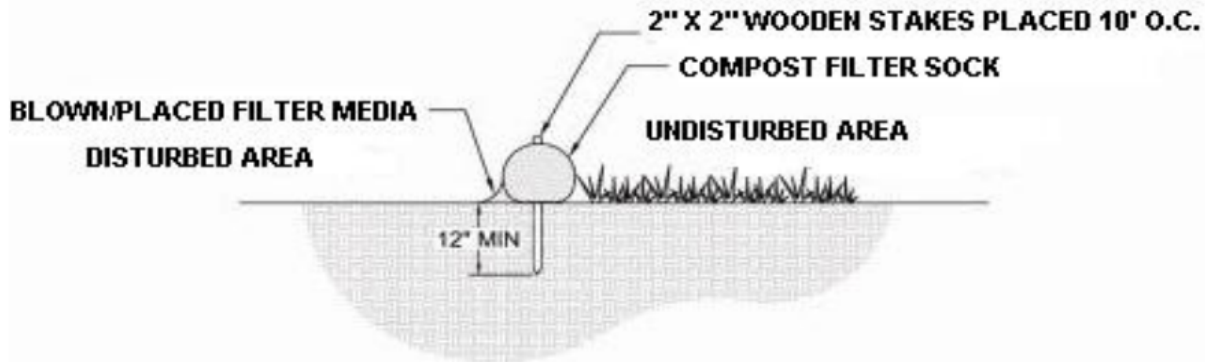


| MILEPOST | DIAMETER (IN) | LOCATION | SLOPE PERCENT | SLOPE LENGTH ABOVE BARRIER (FT) |
|----------|---------------|-----------------|---------------|---------------------------------|
| | | APPROX. STATION | | |
| 45.8R2 | 12 | 2419+94 | 9 | 114 |
| 45.8R2 | 12 | 2420+54 | 10 | 34 |
| 45.8R2 | 12 | 2420+86 | 10 | 58 |
| 45.9 | 12 | 2421+08 | 11 | 74 |
| 45.9 | 12 | 2421+27 | 12 | 87 |
| 45.9 | 12 | 2421+45 | 12 | 100 |
| 45.9 | 12 | 2421+89 | 13 | 21 |
| 45.9 | 12 | 2422+08 | 12 | 36 |
| 45.9 | 12 | 2422+50 | 7 | 75 |
| 45.9 | 12 | 2422+71 | 9 | 56 |
| 45.9 | 12 | 2422+92 | 9 | 35 |
| 45.9 | 12 | 2423+14 | 10 | 15 |
| 45.9 | 18 | 2423+52 | 14 | 110 |
| 45.9 | 12 | 2423+73 | 14 | 93 |
| 45.9 | 12 | 2423+94 | 14 | 75 |
| 45.9 | 12 | 2424+14 | 14 | 58 |
| 46.0 | 12 | 2428+24 | 4 | 125 |
| 46.0 | 12 | 2428+24 | 4 | 134 |
| 46.0 | 12 | 2428+81 | 3 | 84 |
| 46.0 | 12 | 2429+50 | 3 | 24 |
| 46.0 | 12 | 2430+00 | 4 | 90 |
| 46.0 | 12 | 2430+17 | 4 | 71 |
| 46.0 | 12 | 2430+44 | 4 | 49 |
| 46.0 | 12 | 2430+97 | 3 | 113 |
| 46.1 | 12 | 2432+15 | 2 | 156 |
| 46.1 | 12 | 2432+17 | 2 | 126 |

STANDARD E&S WORKSHEET #1

Compost Filter Socks

| | | | |
|--------------------|---------------------------|-------|---------|
| PROJECT NAME: | PENNEAST PIPELINE PROJECT | | |
| LOCATION: | CARBON COUNTY | | |
| PROJECT COMPONENT: | MAINLINE | | |
| PREPARED BY: | KEK / JMB | DATE: | 10/2019 |
| CHECKED BY: | MDN | DATE: | 10/2019 |

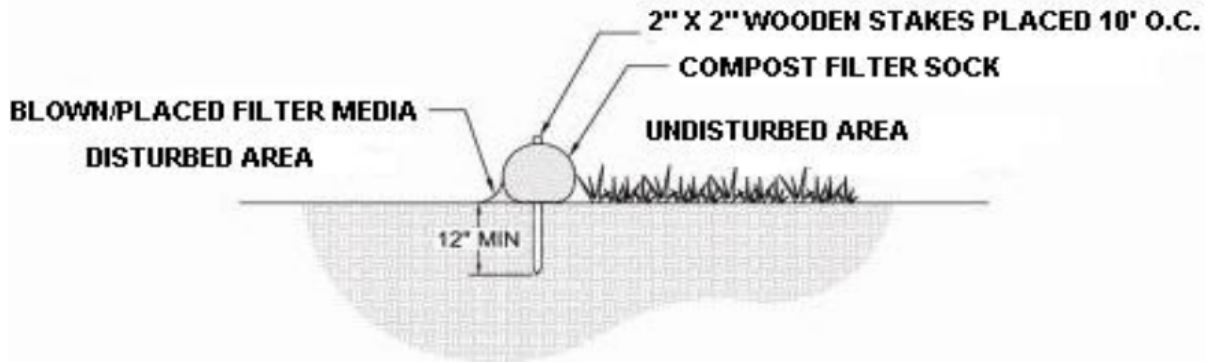


| MILEPOST | DIAMETER (IN) | LOCATION | SLOPE PERCENT | SLOPE LENGTH ABOVE BARRIER (FT) |
|----------|---------------|-----------------|---------------|---------------------------------|
| | | APPROX. STATION | | |
| 46.1 | 12 | 2432+27 | 2 | 112 |
| 46.1 | 12 | 2432+41 | 2 | 34 |
| 46.1 | 18 | 2433+96 | 11 | 133 |
| 46.1 | 32 | 2436+26 | 12 | 350 |
| 46.2 | 12 | 2436+76 | 7 | 85 |
| 46.2 | 12 | 2438+91 | 9 | 95 |
| 46.2 | 12 | 2439+14 | 8 | 83 |
| 46.2 | 12 | 2439+33 | 8 | 72 |
| 46.2 | 12 | 2440+07 | 7 | 38 |
| 46.2 | 12 | 2441+06 | 8 | 137 |
| 46.2 | 12 | 2441+62 | 6 | 141 |
| 46.3 | 12 | 2442+37 | 5 | 129 |
| 46.3 | 12 | 2442+64 | 5 | 126 |
| 46.3 | 12 | 2442+91 | 6 | 125 |
| 46.3 | 12 | 2443+36 | 16 | 23 |
| 46.3 | 12 | 2443+53 | 18 | 35 |
| 46.3 | 12 | 2443+71 | 18 | 46 |
| 46.3 | 12 | 2443+89 | 18 | 62 |
| 46.3 | 18 | 2444+07 | 17 | 74 |
| 46.3 | 18 | 2444+24 | 17 | 90 |
| 46.3 | 18 | 2444+40 | 17 | 103 |
| 46.3 | 18 | 2444+58 | 17 | 118 |
| 46.3 | 12 | 2444+96 | 19 | 23 |
| 46.3 | 12 | 2445+13 | 19 | 37 |
| 46.3 | 12 | 2445+30 | 19 | 54 |
| 46.3 | 12 | 2445+45 | 20 | 68 |

STANDARD E&S WORKSHEET #1

Compost Filter Socks

| | | |
|--------------------|---------------------------|---------------|
| PROJECT NAME: | PENNEAST PIPELINE PROJECT | |
| LOCATION: | CARBON COUNTY | |
| PROJECT COMPONENT: | MAINLINE | |
| PREPARED BY: | KEK / JMB | DATE: 10/2019 |
| CHECKED BY: | MDN | DATE: 10/2019 |

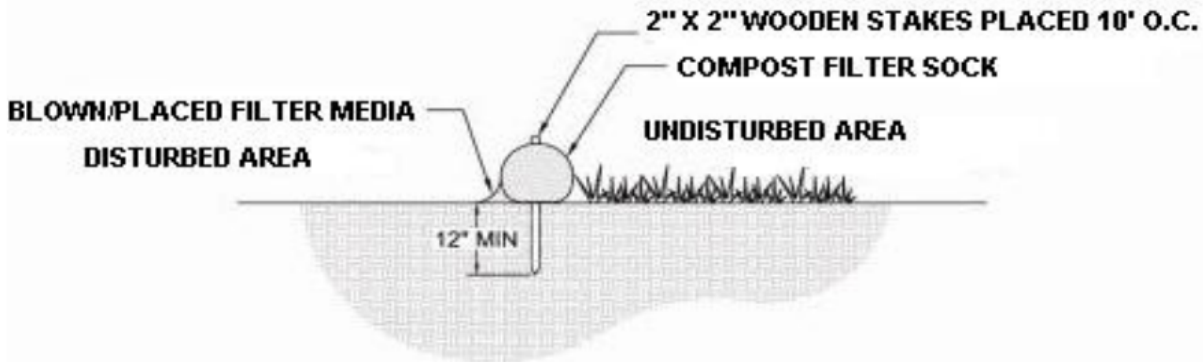


| MILEPOST | DIAMETER (IN) | LOCATION | SLOPE PERCENT | SLOPE LENGTH ABOVE BARRIER (FT) |
|----------|---------------|-----------------|---------------|---------------------------------|
| | | APPROX. STATION | | |
| 46.3 | 12 | 2445+77 | 25 | 20 |
| 46.3 | 12 | 2445+97 | 25 | 37 |
| 46.3 | 18 | 2446+14 | 22 | 53 |
| 46.3 | 12 | 2446+52 | 14 | 97 |
| 46.3 | 18 | 2446+99 | 14 | 119 |
| 46.3 | 12 | 2447+09 | 15 | 82 |
| 46.4 | 18 | 2447+29 | 11 | 134 |
| 46.4 | 18 | 2447+50 | 9 | 151 |
| 46.4 | 12 | 2447+69 | 9 | 144 |
| 46.4 | 12 | 2447+95 | 8 | 134 |
| 46.4 | 12 | 2451+14 | 9 | 13 |
| 46.4 | 12 | 2451+49 | 10 | 118 |
| 46.4 | 12 | 2451+75 | 10 | 96 |
| 46.4 | 12 | 2451+99 | 11 | 75 |
| 46.4 | 12 | 2452+18 | 11 | 58 |
| 46.4 | 12 | 2452+38 | 11 | 41 |
| 46.5 | 12 | 2452+58 | 12 | 24 |
| 46.5 | 12 | 2452+93 | 10 | 126 |
| 46.5 | 12 | 2453+16 | 10 | 105 |
| 46.5 | 12 | 2453+39 | 10 | 86 |
| 46.5 | 12 | 2453+67 | 10 | 62 |
| 46.5 | 12 | 2453+94 | 9 | 40 |
| 46.5 | 12 | 2454+24 | 10 | 15 |
| 46.6 | 12 | 2459+74 | 3 | 179 |
| 46.6 | 12 | 2460+34 | 3 | 135 |
| 46.6 | 12 | 2461+43 | 4 | 49 |

STANDARD E&S WORKSHEET #1

Compost Filter Socks

| | | |
|--------------------|---------------------------|---------------|
| PROJECT NAME: | PENNEAST PIPELINE PROJECT | |
| LOCATION: | CARBON COUNTY | |
| PROJECT COMPONENT: | MAINLINE | |
| PREPARED BY: | KEK / JMB | DATE: 10/2019 |
| CHECKED BY: | MDN | DATE: 10/2019 |

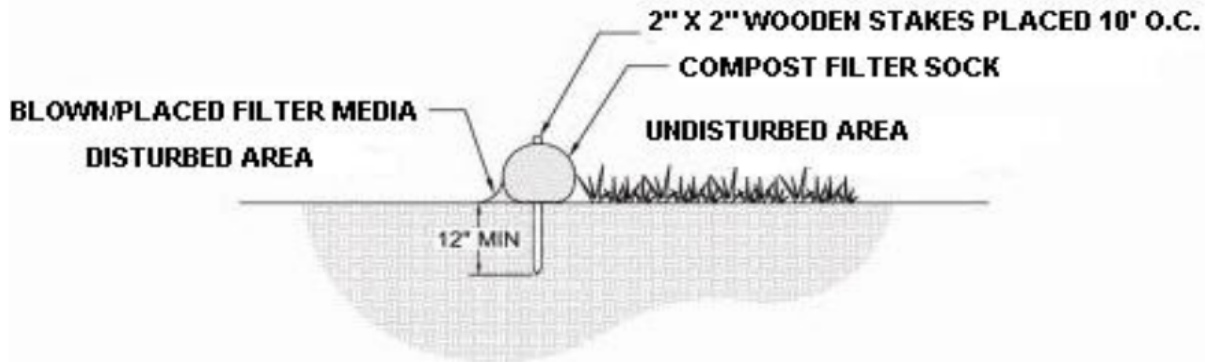


| MILEPOST | DIAMETER (IN) | LOCATION | SLOPE PERCENT | SLOPE LENGTH ABOVE BARRIER (FT) |
|----------|---------------|-----------------|---------------|---------------------------------|
| | | APPROX. STATION | | |
| 46.6 | 12 | 2461+65 | 4 | 34 |
| 46.6 | 12 | 2461+84 | 4 | 13 |
| 46.6 | 18 | 2462+71 | 1 | 332 |
| 46.7 | 12 | 2464+10 | 5 | 70 |
| 46.7 | 12 | 2464+54 | 5 | 104 |
| 46.7 | 12 | 2464+96 | 6 | 139 |
| 46.7 | 18 | 2465+51 | 4 | 324 |
| 46.7 | 18 | 2465+91 | 4 | 336 |
| 46.7 | 24 | 2466+01 | 6 | 254 |
| 46.7 | 18 | 2466+19 | 7 | 192 |
| 46.7 | 12 | 2466+34 | 8 | 95 |
| 46.7 | 12 | 2467+06 | 6 | 122 |
| 46.7 | 12 | 2467+62 | 7 | 54 |
| 46.7 | 12 | 2467+93 | 8 | 22 |
| 47.0 | 12 | 2481+31 | 19 | 69 |
| 47.0 | 18 | 2481+47 | 16 | 99 |
| 47.0 | 18 | 2481+63 | 16 | 112 |
| 47.0 | 18 | 2481+78 | 20 | 107 |
| 47.0 | 32" DURASOXX | 2482+03 | 29 | 135 |
| 47.0 | 32" DURASOXX | 2482+35 | 28 | 134 |
| 47.0 | 32" DURASOXX | 2482+50 | 26 | 133 |
| 47.0 | 24 | 2482+65 | 25 | 130 |
| 47.0 | 24 | 2482+80 | 24 | 128 |
| 47.0 | 24 | 2483+13 | 23 | 129 |
| 47.0 | 24 | 2483+41 | 23 | 131 |
| 47.0 | 24 | 2483+68 | 23 | 134 |

STANDARD E&S WORKSHEET #1

Compost Filter Socks

| | | | |
|--------------------|---------------------------|-------|---------|
| PROJECT NAME: | PENNEAST PIPELINE PROJECT | | |
| LOCATION: | CARBON COUNTY | | |
| PROJECT COMPONENT: | MAINLINE | | |
| PREPARED BY: | KEK / JMB | DATE: | 10/2019 |
| CHECKED BY: | MDN | DATE: | 10/2019 |

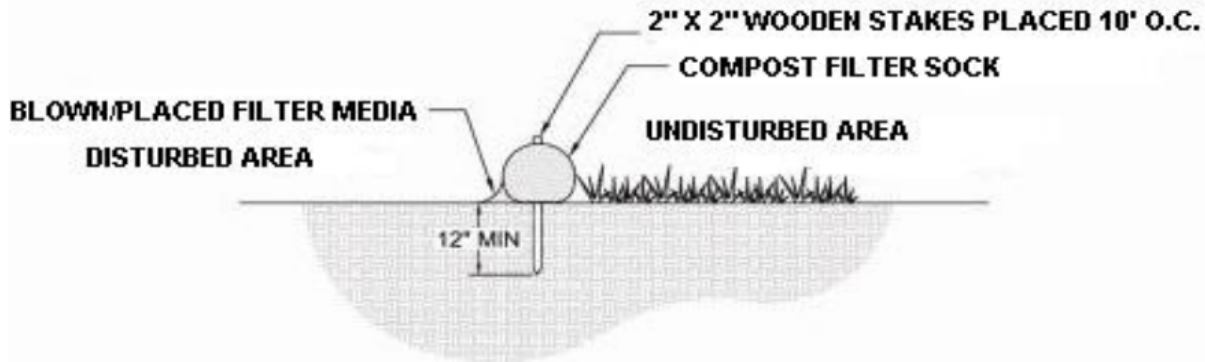


| MILEPOST | DIAMETER (IN) | LOCATION | SLOPE PERCENT | SLOPE LENGTH ABOVE BARRIER (FT) |
|----------|---------------|-----------------|---------------|---------------------------------|
| | | APPROX. STATION | | |
| 47.0 | 24 | 2483+96 | 22 | 137 |
| 47.0 | 24 | 2484+23 | 22 | 134 |
| 47.1 | 24 | 2484+37 | 21 | 136 |
| 47.1 | 24 | 2484+51 | 21 | 136 |
| 47.1 | 24 | 2484+64 | 21 | 136 |
| 47.1 | 24 | 2484+78 | 21 | 136 |
| 47.1 | 18 | 2484+84 | 9 | 209 |
| 47.1 | 18 | 2485+01 | 9 | 193 |
| 47.1 | 18 | 2485+18 | 16 | 88 |
| 47.1 | 12 | 2486+85 | 14 | 80 |
| 47.1 | 12 | 2486+96 | 15 | 70 |
| 47.1 | 12 | 2487+09 | 15 | 63 |
| 47.1 | 12 | 2487+20 | 15 | 54 |
| 47.1 | 12 | 2487+31 | 15 | 45 |
| 47.1 | 12 | 2487+38 | 13 | 46 |
| 47.1 | 18 | 2488+19 | 12 | 136 |
| 47.1 | 18 | 2488+27 | 10 | 180 |
| 47.2 | 12 | 2491+25 | 4 | 94 |
| 47.2 | 24 | 2492+76 | 5 | 489 |
| 47.2 | 12 | 2494+06 | 7 | 100 |
| 47.3 | 12 | 2495+00 | 12 | 27 |
| 47.3 | 12 | 2495+01 | 13 | 18 |
| 47.3 | 12 | 2495+16 | 14 | 9 |
| 47.3 | 18 | 2495+83 | 11 | 177 |
| 47.3 | 18 | 2496+45 | 9 | 199 |
| 47.3 | 18 | 2496+49 | 8 | 191 |

STANDARD E&S WORKSHEET #1

Compost Filter Socks

| | | |
|--------------------|---------------------------|---------------|
| PROJECT NAME: | PENNEAST PIPELINE PROJECT | |
| LOCATION: | CARBON COUNTY | |
| PROJECT COMPONENT: | MAINLINE | |
| PREPARED BY: | KEK / JMB | DATE: 10/2019 |
| CHECKED BY: | MDN | DATE: 10/2019 |

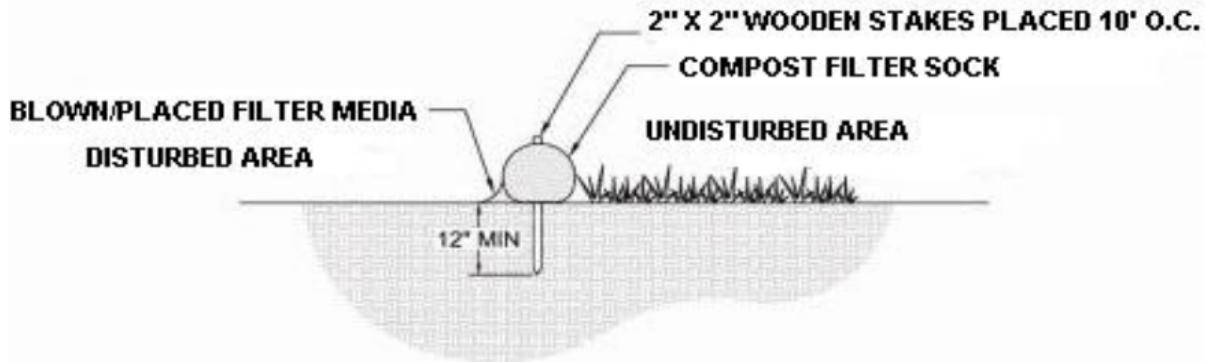


| MILEPOST | DIAMETER (IN) | LOCATION | SLOPE PERCENT | SLOPE LENGTH ABOVE BARRIER (FT) |
|----------|---------------|-----------------|---------------|---------------------------------|
| | | APPROX. STATION | | |
| 47.3 | 18 | 2496+49 | 7 | 191 |
| 47.3 | 18 | 2496+50 | 7 | 179 |
| 47.3 | 18 | 2496+69 | 6 | 176 |
| 47.3 | 12 | 2498+59 | 4 | 223 |
| 47.3 | 12 | 2499+25 | 6 | 47 |
| 47.4 | 12 | 2505+09 | 11 | 70 |
| 47.4 | 12 | 2505+24 | 11 | 85 |
| 47.5 | 12 | 2506+10 | 12 | 29 |
| 47.5 | 12 | 2506+25 | 11 | 41 |
| 47.5 | 12 | 2506+41 | 10 | 52 |
| 47.5 | 12 | 2506+56 | 10 | 66 |
| 47.5 | 12 | 2506+71 | 11 | 84 |
| 47.5 | 12 | 2506+87 | 11 | 95 |
| 47.5 | 12 | 2507+47 | 14 | 20 |
| 47.5 | 12 | 2507+62 | 14 | 32 |
| 47.5 | 12 | 2507+77 | 14 | 44 |
| 47.5 | 12 | 2507+93 | 14 | 56 |
| 47.5 | 12 | 2508+08 | 14 | 68 |
| 47.5 | 12 | 2508+24 | 14 | 80 |
| 47.5 | 18 | 2510+01 | 24 | 54 |
| 47.5 | 18 | 2510+17 | 21 | 80 |
| 47.5 | 18 | 2510+34 | 19 | 107 |
| 47.5 | 32 | 2510+64 | 29 | 103 |
| 47.6 | 32 | 2510+96 | 26 | 102 |
| 47.6 | 24 | 2511+58 | 23 | 103 |
| 47.6 | 24 | 2511+71 | 22 | 103 |

STANDARD E&S WORKSHEET #1

Compost Filter Socks

| | | |
|--------------------|---------------------------|---------------|
| PROJECT NAME: | PENNEAST PIPELINE PROJECT | |
| LOCATION: | CARBON COUNTY | |
| PROJECT COMPONENT: | MAINLINE | |
| PREPARED BY: | KEK / JMB | DATE: 10/2019 |
| CHECKED BY: | MDN | DATE: 10/2019 |

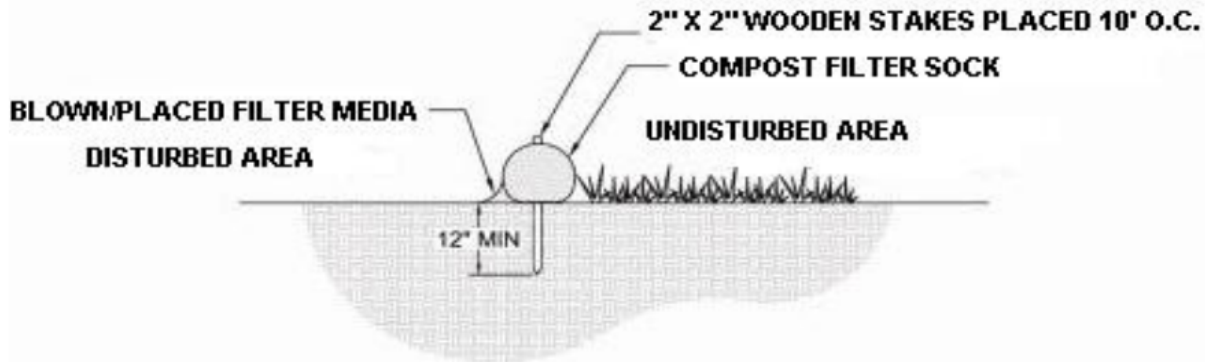


| MILEPOST | DIAMETER (IN) | LOCATION | SLOPE PERCENT | SLOPE LENGTH ABOVE BARRIER (FT) |
|----------|---------------|-----------------|---------------|---------------------------------|
| | | APPROX. STATION | | |
| 47.6 | 18 | 2511+85 | 20 | 106 |
| 47.6 | 18 | 2511+99 | 18 | 108 |
| 47.6 | 18 | 2512+28 | 17 | 108 |
| 47.6 | 18 | 2512+59 | 16 | 111 |
| 47.6 | 18 | 2512+74 | 16 | 113 |
| 47.6 | 18 | 2512+89 | 16 | 117 |
| 47.6 | 18 | 2513+04 | 17 | 122 |
| 47.6 | 12 | 2513+31 | 18 | 13 |
| 47.6 | 12 | 2513+46 | 21 | 42 |
| 47.6 | 12 | 2513+61 | 20 | 54 |
| 47.6 | 18 | 2513+77 | 22 | 65 |
| 47.6 | 18 | 2513+93 | 23 | 77 |
| 47.6 | 18 | 2514+08 | 25 | 90 |
| 47.6 | 12 | 2514+46 | 28 | 28 |
| 47.6 | 12 | 2514+65 | 23 | 47 |
| 47.6 | 18 | 2514+89 | 11 | 101 |
| 47.7 | 18 | 2515+98 | 48 | 28 |
| 47.7 | 24 | 2516+02 | 39 | 47 |
| 47.7 | 12 | 2518+00 | 6 | 133 |
| 47.7 | 12 | 2518+25 | 6 | 109 |
| 47.7 | 12 | 2518+53 | 6 | 83 |
| 47.7 | 12 | 2518+78 | 6 | 59 |
| 47.7 | 12 | 2519+03 | 5 | 37 |
| 47.7 | 12 | 2519+27 | 5 | 14 |
| 47.7 | 24 | 2519+51 | 5 | 419 |
| 47.7 | 18 | 2520+33 | 7 | 237 |

STANDARD E&S WORKSHEET #1

Compost Filter Socks

| | | |
|--------------------|---------------------------|---------------|
| PROJECT NAME: | PENNEAST PIPELINE PROJECT | |
| LOCATION: | CARBON COUNTY | |
| PROJECT COMPONENT: | MAINLINE | |
| PREPARED BY: | KEK / JMB | DATE: 10/2019 |
| CHECKED BY: | MDN | DATE: 10/2019 |

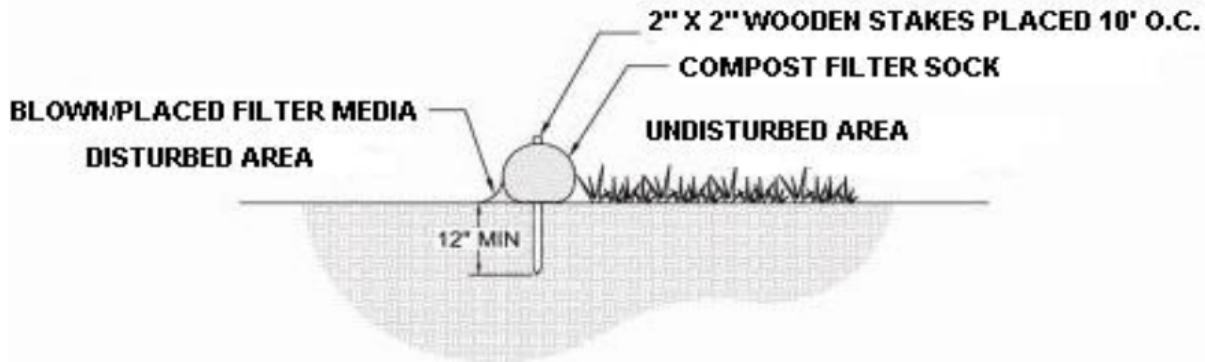


| MILEPOST | DIAMETER (IN) | LOCATION | SLOPE PERCENT | SLOPE LENGTH ABOVE BARRIER (FT) |
|----------|---------------|-----------------|---------------|---------------------------------|
| | | APPROX. STATION | | |
| 47.7 | 12 | 2520+56 | 13 | 11 |
| 47.7 | 12 | 2520+78 | 15 | 30 |
| 47.7 | 12 | 2520+99 | 16 | 48 |
| 47.7 | 12 | 2521+18 | 17 | 65 |
| 47.8 | 18 | 2521+39 | 19 | 83 |
| 47.8 | 12 | 2521+74 | 33 | 26 |
| 47.8 | 12 | 2521+88 | 34 | 39 |
| 47.8 | 12 | 2522+15 | 40 | 18 |
| 47.8 | 12 | 2522+29 | 40 | 32 |
| 47.8 | 12 | 2522+62 | 43 | 20 |
| 47.8 | 18 | 2522+75 | 42 | 33 |
| 47.8 | 12 | 2523+10 | 44 | 21 |
| 47.8 | 18 | 2523+23 | 44 | 32 |
| 47.8 | 12 | 2523+58 | 45 | 20 |
| 47.8 | 18 | 2523+71 | 45 | 31 |
| 47.8 | 12 | 2524+03 | 42 | 17 |
| 47.8 | 12 | 2524+16 | 41 | 27 |
| 47.8 | 18 | 2524+30 | 41 | 39 |
| 47.8 | 12 | 2524+57 | 43 | 16 |
| 47.8 | 12 | 2524+70 | 43 | 26 |
| 47.8 | 18 | 2524+84 | 43 | 38 |
| 47.8 | 12 | 2525+11 | 42 | 12 |
| 47.8 | 12 | 2525+25 | 43 | 26 |
| 47.8 | 24 | 2525+43 | 43 | 44 |
| 47.8 | 12 | 2525+64 | 43 | 14 |
| 47.8 | 18 | 2525+89 | 43 | 39 |

STANDARD E&S WORKSHEET #1

Compost Filter Socks

| | | | |
|--------------------|---------------------------|-------|---------|
| PROJECT NAME: | PENNEAST PIPELINE PROJECT | | |
| LOCATION: | CARBON COUNTY | | |
| PROJECT COMPONENT: | MAINLINE | | |
| PREPARED BY: | KEK / JMB | DATE: | 10/2019 |
| CHECKED BY: | MDN | DATE: | 10/2019 |

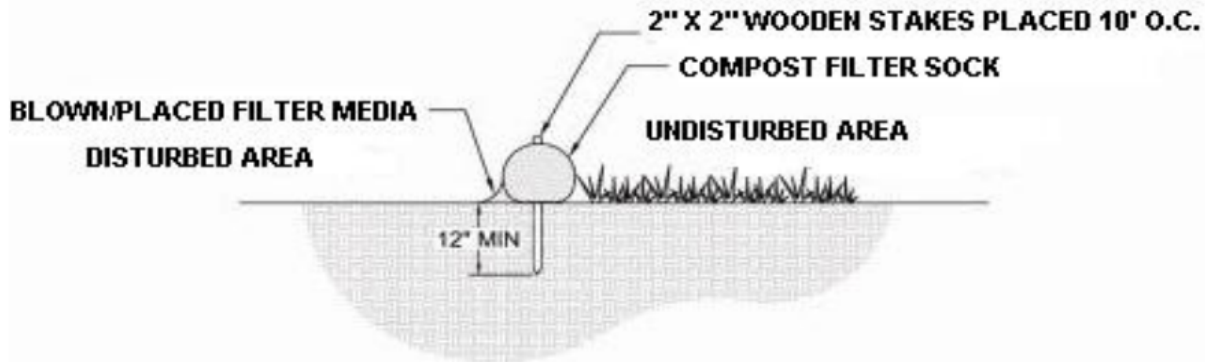


| MILEPOST | DIAMETER (IN) | LOCATION | SLOPE PERCENT | SLOPE LENGTH ABOVE BARRIER (FT) |
|----------|---------------|-----------------|---------------|---------------------------------|
| | | APPROX. STATION | | |
| 47.8 | 12 | 2526+18 | 41 | 17 |
| 47.8 | 18 | 2526+40 | 40 | 40 |
| 47.9 | 12 | 2526+62 | 37 | 11 |
| 47.9 | 12 | 2526+77 | 37 | 27 |
| 47.9 | 18 | 2526+95 | 35 | 45 |
| 47.9 | 12 | 2527+17 | 25 | 20 |
| 47.9 | 12 | 2529+13 | 6 | 39 |
| 47.9 | 12 | 2530+44 | 5 | 48 |
| 47.9 | 12 | 2530+86 | 5 | 77 |
| 47.9 | 12 | 2531+09 | 5 | 94 |
| 47.9 | 12 | 2531+25 | 5 | 106 |
| 47.9 | 12 | 2531+40 | 5 | 117 |
| 47.9 | 12 | 2531+73 | 8 | 18 |
| 48.0 | 12 | 2531+91 | 8 | 33 |
| 48.0 | 12 | 2532+05 | 10 | 46 |
| 48.0 | 12 | 2532+21 | 11 | 56 |
| 48.0 | 12 | 2533+23 | 22 | 12 |
| 48.0 | 18 | 2536+51 | 24 | 76 |
| 48.0 | 18 | 2536+89 | 25 | 91 |
| 48.1 | 12 | 2539+05 | 42 | 20 |
| 48.1 | 12 | 2539+31 | 45 | 22 |
| 48.1 | 18 | 2540+37 | 12 | 119 |
| 48.1 | 12 | 2541+02 | 10 | 121 |
| 48.1 | 18 | 2541+17 | 7 | 203 |
| 48.1 | 18 | 2541+29 | 8 | 171 |
| 48.1 | 12 | 2541+36 | 5 | 35 |

STANDARD E&S WORKSHEET #1

Compost Filter Socks

| | | |
|--------------------|---------------------------|---------------|
| PROJECT NAME: | PENNEAST PIPELINE PROJECT | |
| LOCATION: | CARBON COUNTY | |
| PROJECT COMPONENT: | MAINLINE | |
| PREPARED BY: | KEK / JMB | DATE: 10/2019 |
| CHECKED BY: | MDN | DATE: 10/2019 |

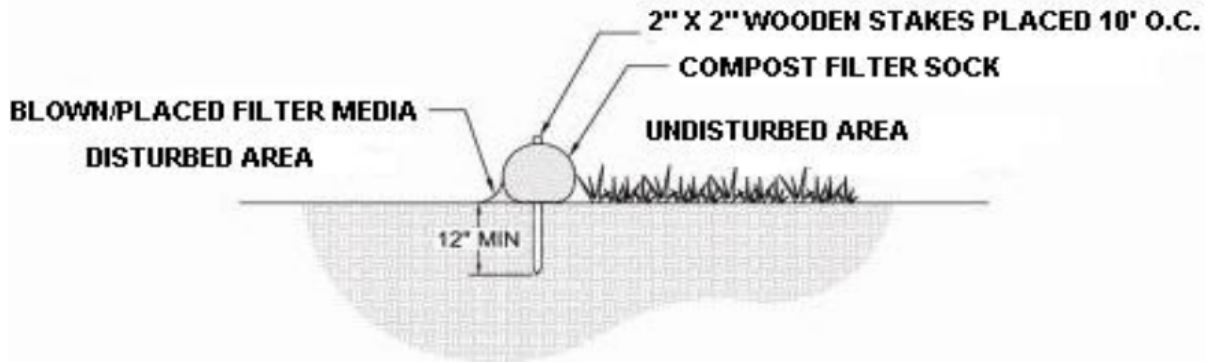


| MILEPOST | DIAMETER (IN) | LOCATION | SLOPE PERCENT | SLOPE LENGTH ABOVE BARRIER (FT) |
|----------|---------------|-----------------|---------------|---------------------------------|
| | | APPROX. STATION | | |
| 48.1 | 12 | 2541+49 | 7 | 28 |
| 48.1 | 12 | 2542+04 | 2 | 23 |
| 48.1 | 12 | 2542+09 | 4 | 11 |
| 48.1 | 12 | 2542+30 | 12 | 11 |
| 48.2 | 12 | 2542+38 | 10 | 15 |
| 48.2 | 12 | 2542+61 | 34 | 9 |
| 48.2 | 12 | 2542+62 | 29 | 12 |
| 48.2 | 24 | 2543+11 | 36 | 58 |
| 48.2 | 24 | 2543+34 | 40 | 50 |
| 48.2 | 24 | 2543+36 | 45 | 55 |
| 48.2 | 24 | 2543+36 | 42 | 51 |
| 48.2 | 18 | 2544+84 | 8 | 180 |
| 48.2 | 18 | 2545+03 | 8 | 151 |
| 48.2 | 12 | 2545+24 | 8 | 111 |
| 48.2 | 12 | 2545+53 | 9 | 83 |
| 48.2 | 12 | 2545+76 | 10 | 61 |
| 48.2 | 12 | 2545+99 | 10 | 38 |
| 48.2 | 12 | 2546+24 | 11 | 14 |
| 48.2 | 18 | 2546+46 | 11 | 141 |
| 48.2 | 18 | 2546+71 | 11 | 112 |
| 48.2 | 12 | 2546+94 | 11 | 88 |
| 48.2 | 12 | 2547+16 | 12 | 64 |
| 48.2 | 12 | 2547+40 | 12 | 41 |
| 48.3 | 12 | 2547+65 | 12 | 16 |
| 48.3 | 18 | 2548+00 | 13 | 132 |
| 48.3 | 18 | 2548+22 | 14 | 111 |

STANDARD E&S WORKSHEET #1

Compost Filter Socks

| | | |
|--------------------|---------------------------|---------------|
| PROJECT NAME: | PENNEAST PIPELINE PROJECT | |
| LOCATION: | CARBON COUNTY | |
| PROJECT COMPONENT: | MAINLINE | |
| PREPARED BY: | KEK / JMB | DATE: 10/2019 |
| CHECKED BY: | MDN | DATE: 10/2019 |

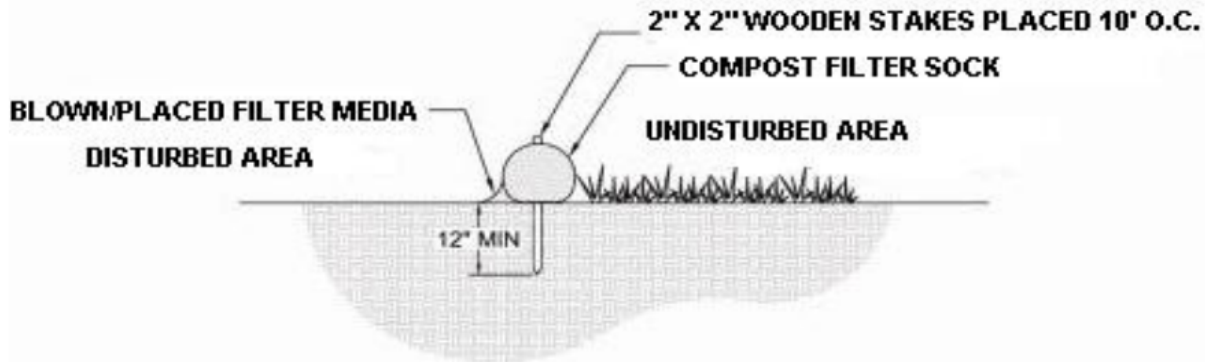


| MILEPOST | DIAMETER (IN) | LOCATION | SLOPE PERCENT | SLOPE LENGTH ABOVE BARRIER (FT) |
|----------|---------------|-----------------|---------------|---------------------------------|
| | | APPROX. STATION | | |
| 48.3 | 12 | 2548+60 | 15 | 74 |
| 48.3 | 12 | 2548+92 | 15 | 43 |
| 48.3 | 12 | 2549+21 | 15 | 13 |
| 48.3 | 18 | 2549+54 | 16 | 87 |
| 48.3 | 12 | 2549+78 | 16 | 65 |
| 48.3 | 12 | 2550+05 | 16 | 36 |
| 48.3 | 12 | 2550+64 | 17 | 70 |
| 48.3 | 12 | 2551+00 | 18 | 34 |
| 48.3 | 18 | 2551+46 | 19 | 89 |
| 48.3 | 12 | 2551+80 | 19 | 57 |
| 48.3 | 12 | 2552+15 | 18 | 25 |
| 48.3 | 18 | 2552+55 | 19 | 88 |
| 48.3 | 12 | 2552+82 | 20 | 61 |
| 48.4R2 | 12 | 2553+17 | 20 | 28 |
| 48.4R2 | 18 | 2553+59 | 20 | 77 |
| 48.4R2 | 12 | 2553+87 | 20 | 49 |
| 48.4R2 | 18 | 2554+72 | 27 | 65 |
| 48.4R2 | 12 | 2555+11 | 28 | 28 |
| 48.5R2 | 12 | 2558+85 | 8 | 61 |
| 48.5R2 | 18 | 2559+61 | 12 | 124 |
| 48.5R2 | 12 | 2560+06 | 11 | 33 |
| 48.5R2 | 18 | 2560+84 | 13 | 145 |
| 48.5R2 | 18 | 2561+01 | 13 | 131 |
| 48.5R2 | 18 | 2561+17 | 13 | 115 |
| 48.5R2 | 18 | 2561+35 | 12 | 101 |
| 48.5R2 | 12 | 2561+51 | 12 | 88 |

STANDARD E&S WORKSHEET #1

Compost Filter Socks

| | | | |
|--------------------|---------------------------|-------|---------|
| PROJECT NAME: | PENNEAST PIPELINE PROJECT | | |
| LOCATION: | CARBON COUNTY | | |
| PROJECT COMPONENT: | MAINLINE | | |
| PREPARED BY: | KEK / JMB | DATE: | 10/2019 |
| CHECKED BY: | MDN | DATE: | 10/2019 |

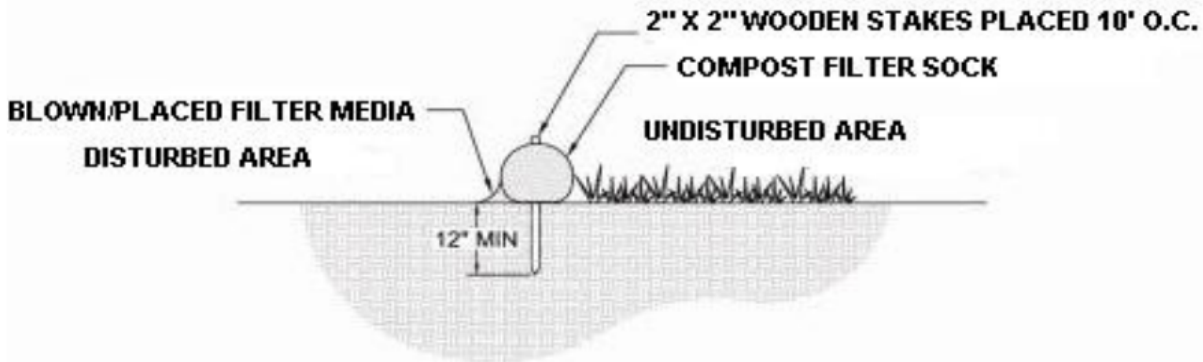


| MILEPOST | DIAMETER (IN) | LOCATION | SLOPE PERCENT | SLOPE LENGTH ABOVE BARRIER (FT) |
|----------|---------------|-----------------|---------------|---------------------------------|
| | | APPROX. STATION | | |
| 48.5R2 | 12 | 2561+67 | 11 | 73 |
| 48.5R2 | 12 | 2561+83 | 10 | 61 |
| 48.5R2 | 12 | 2562+11 | 10 | 38 |
| 48.6R2 | 12 | 2564+11 | 11 | 84 |
| 48.6R2 | 18 | 2565+51 | 19 | 112 |
| 48.6R2 | 18 | 2565+64 | 18 | 112 |
| 48.6R2 | 18 | 2565+78 | 16 | 109 |
| 48.6R2 | 18 | 2565+92 | 16 | 106 |
| 48.6R2 | 18 | 2566+07 | 15 | 104 |
| 48.6R2 | 18 | 2567+48 | 20 | 111 |
| 48.6R2 | 24 | 2567+66 | 21 | 124 |
| 48.6R2 | 12 | 2567+79 | 42 | 20 |
| 48.6R2 | 18 | 2567+97 | 43 | 39 |
| 48.6R2 | 18 | 2568+30 | 46 | 22 |
| 48.6R2 | 32 | 2568+48 | 46 | 41 |
| 48.6R2 | 12 | 2568+76 | 46 | 17 |
| 48.7R3 | 24 | 2568+94 | 47 | 37 |
| 48.7R3 | 18 | 2569+28 | 50 | 23 |
| 48.7R3 | 32 | 2569+46 | 50 | 42 |
| 48.7R3 | 12 | 2569+83 | 44 | 26 |
| 48.7R3 | 24 | 2570+02 | 43 | 45 |
| 48.7R3 | 12 | 2570+30 | 33 | 18 |
| 48.7R3 | 12 | 2570+48 | 33 | 37 |
| 48.7R3 | 12 | 2570+76 | 42 | 17 |
| 48.7R3 | 18 | 2570+92 | 41 | 33 |
| 48.7R3 | 32 | 2571+14 | 44 | 68 |

STANDARD E&S WORKSHEET #1

Compost Filter Socks

| | | | |
|--------------------|---------------------------|-------|---------|
| PROJECT NAME: | PENNEAST PIPELINE PROJECT | | |
| LOCATION: | CARBON COUNTY | | |
| PROJECT COMPONENT: | MAINLINE | | |
| PREPARED BY: | KEK / JMB | DATE: | 10/2019 |
| CHECKED BY: | MDN | DATE: | 10/2019 |

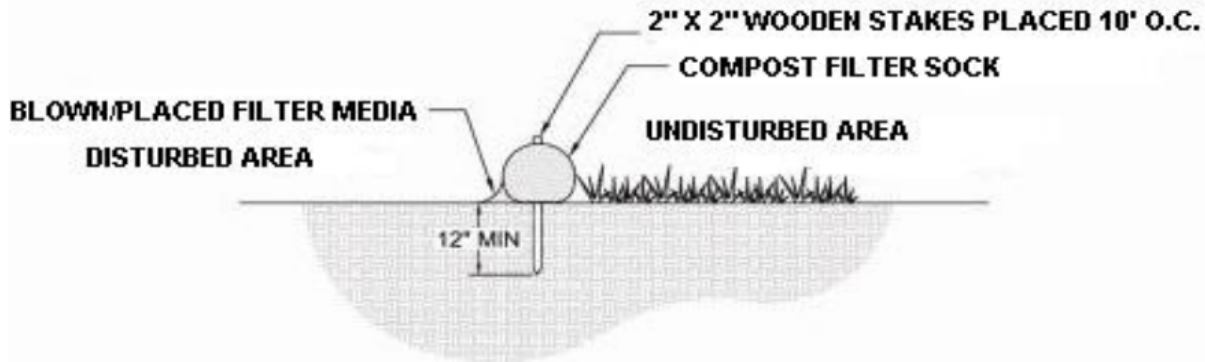


| MILEPOST | DIAMETER (IN) | LOCATION | SLOPE PERCENT | SLOPE LENGTH ABOVE BARRIER (FT) |
|----------|---------------|-----------------|---------------|---------------------------------|
| | | APPROX. STATION | | |
| 48.7R3 | 32" DURASOXX | 2571+28 | 44 | 83 |
| 48.7R3 | 12 | 2571+53 | 35 | 17 |
| 48.7R3 | 12 | 2571+74 | 32 | 36 |
| 48.7R3 | 18 | 2571+94 | 28 | 53 |
| 48.7R3 | 12 | 2572+99 | 17 | 27 |
| 48.7R3 | 12 | 2573+07 | 20 | 33 |
| 48.7R3 | 12 | 2573+19 | 20 | 43 |
| 48.7R3 | 18 | 2573+47 | 20 | 70 |
| 48.8R3 | 18 | 2574+46 | 18 | 84 |
| 48.8R3 | 18 | 2574+70 | 16 | 109 |
| 48.8R3 | 18 | 2574+90 | 14 | 147 |
| 48.8R3 | 18 | 2575+14 | 13 | 168 |
| 48.8R3 | 12 | 2576+29 | 20 | 24 |
| 48.8R3 | 12 | 2576+45 | 19 | 41 |
| 48.8R3 | 12 | 2576+64 | 17 | 59 |
| 48.8R3 | 18 | 2576+82 | 16 | 78 |
| 48.8R3 | 18 | 2577+03 | 16 | 98 |
| 48.8R3 | 12 | 2577+52 | 14 | 27 |
| 48.8R3 | 12 | 2577+81 | 14 | 54 |
| 48.8R3 | 12 | 2578+15 | 12 | 87 |
| 48.8R3 | 18 | 2578+38 | 11 | 108 |
| 48.9R3 | 12 | 2580+37 | 23 | 23 |
| 48.9R3 | 12 | 2580+63 | 24 | 48 |
| 48.9R3 | 18 | 2580+88 | 25 | 71 |
| 48.9R3 | 18 | 2581+63 | 25 | 52 |
| 48.9R3 | 18 | 2581+81 | 23 | 69 |

STANDARD E&S WORKSHEET #1

Compost Filter Socks

| | | | |
|--------------------|---------------------------|-------|---------|
| PROJECT NAME: | PENNEAST PIPELINE PROJECT | | |
| LOCATION: | CARBON COUNTY | | |
| PROJECT COMPONENT: | MAINLINE | | |
| PREPARED BY: | KEK / JMB | DATE: | 10/2019 |
| CHECKED BY: | MDN | DATE: | 10/2019 |

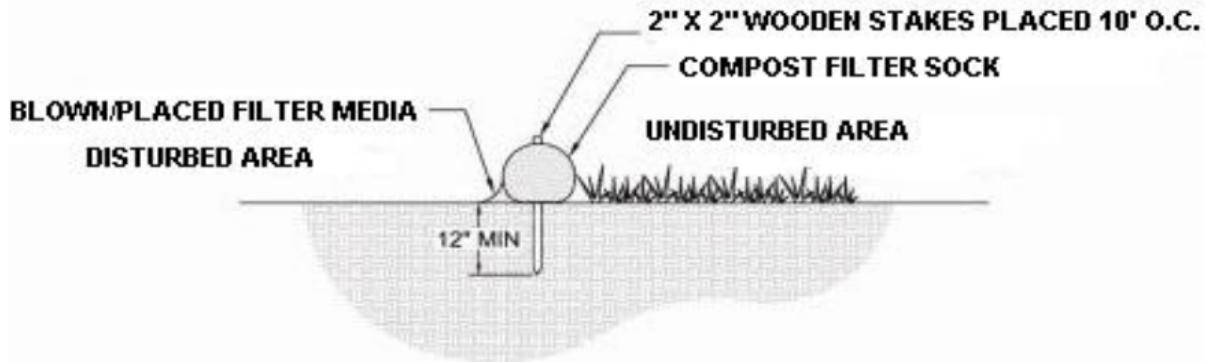


| MILEPOST | DIAMETER (IN) | LOCATION | SLOPE PERCENT | SLOPE LENGTH ABOVE BARRIER (FT) |
|----------|---------------|-----------------|---------------|---------------------------------|
| | | APPROX. STATION | | |
| 48.9R3 | 18 | 2582+01 | 22 | 88 |
| 48.9R3 | 12 | 2582+20 | 16 | 12 |
| 48.9R3 | 12 | 2582+48 | 16 | 38 |
| 48.9R3 | 12 | 2582+64 | 16 | 53 |
| 48.9R3 | 18 | 2582+84 | 17 | 70 |
| 48.9R3 | 12 | 2583+02 | 18 | 13 |
| 48.9R3 | 12 | 2583+27 | 17 | 38 |
| 48.9R3 | 12 | 2583+55 | 17 | 64 |
| 48.9R3 | 18 | 2583+79 | 17 | 88 |
| 48.9R3 | 24 | 2584+15 | 21 | 141 |
| 49.0R3 | 32 | 2584+40 | 21 | 164 |
| 49.0R3 | 32" DURASOXX | 2584+62 | 21 | 186 |
| 49.0R3 | 24 | 2585+65 | 14 | 215 |
| 49.0R3 | 12 | 2585+68 | 15 | 52 |
| 49.0R3 | 12 | 2585+70 | 12 | 78 |
| 49.0R3 | 18 | 2586+98 | 11 | 114 |
| 49.0R3 | 12 | 2589+42 | 5 | 25 |
| 49.0R3 | 12 | 2589+75 | 5 | 61 |
| 49.1R3 | 12 | 2590+15 | 5 | 114 |
| 49.1R3 | 12 | 2590+35 | 4 | 125 |
| 49.1R3 | 12 | 2590+62 | 4 | 115 |
| 49.1R3 | 12 | 2590+80 | 4 | 110 |
| 49.1R3 | 12 | 2592+32 | 2 | 111 |
| 49.1R3 | 12 | 2593+97 | 2 | 79 |
| 49.1R3 | 12 | 2594+40 | 3 | 49 |
| 49.1R3 | 12 | 2594+72 | 4 | 17 |

STANDARD E&S WORKSHEET #1

Compost Filter Socks

| | | |
|--------------------|---------------------------|---------------|
| PROJECT NAME: | PENNEAST PIPELINE PROJECT | |
| LOCATION: | CARBON COUNTY | |
| PROJECT COMPONENT: | MAINLINE | |
| PREPARED BY: | KEK / JMB | DATE: 10/2019 |
| CHECKED BY: | MDN | DATE: 10/2019 |

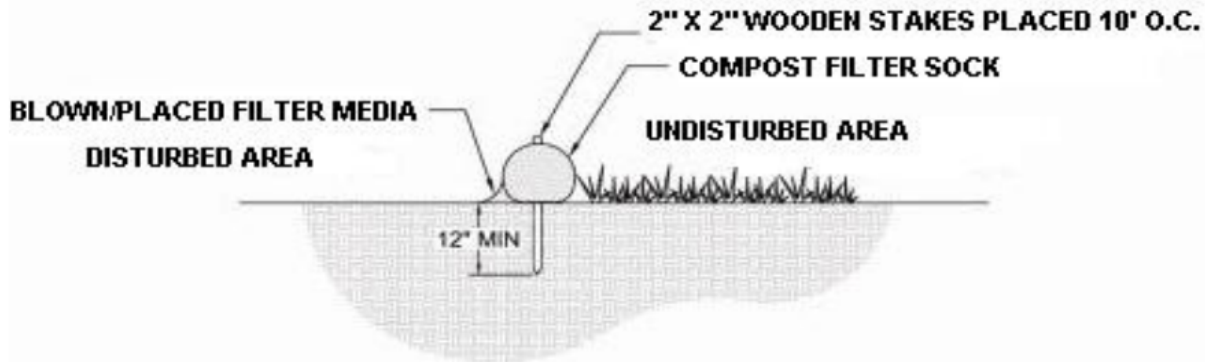


| MILEPOST | DIAMETER (IN) | LOCATION | SLOPE PERCENT | SLOPE LENGTH ABOVE BARRIER (FT) |
|----------|---------------|-----------------|---------------|---------------------------------|
| | | APPROX. STATION | | |
| 49.1R3 | 12 | 2595+10 | 4 | 85 |
| 49.2R3 | 12 | 2596+54 | 4 | 94 |
| 49.2R3 | 12 | 2598+36 | 6 | 75 |
| 49.3R3 | 12 | 2601+12 | 6 | 38 |
| 49.3R3 | 12 | 2601+47 | 6 | 88 |
| 49.3R3 | 12 | 2602+39 | 5 | 17 |
| 49.3R3 | 12 | 2602+92 | 5 | 36 |
| 49.3R3 | 12 | 2603+13 | 5 | 61 |
| 49.3R3 | 12 | 2603+34 | 4 | 83 |
| 49.3R3 | 12 | 2603+57 | 5 | 101 |
| 49.3R3 | 12 | 2603+57 | 4 | 103 |
| 49.4R3 | 18 | 2606+89 | 19 | 109 |
| 49.4R3 | 18 | 2606+90 | 18 | 106 |
| 49.4R3 | 12 | 2608+52 | 19 | 20 |
| 49.4R3 | 12 | 2608+75 | 19 | 14 |
| 49.4R3 | 12 | 2608+98 | 20 | 10 |
| 49.4R3 | 18 | 2609+64 | 19 | 128 |
| 49.4R3 | 18 | 2609+82 | 20 | 117 |
| 49.4R3 | 18 | 2609+98 | 20 | 108 |
| 49.4R3 | 18 | 2610+20 | 20 | 100 |
| 49.4R3 | 18 | 2610+39 | 19 | 91 |
| 49.4R3 | 18 | 2610+58 | 19 | 81 |
| 49.4R3 | 18 | 2610+74 | 19 | 71 |
| 49.4R3 | 12 | 2610+91 | 19 | 63 |
| 49.5R3 | 12 | 2611+08 | 19 | 55 |
| 49.5R3 | 12 | 2611+25 | 20 | 47 |

STANDARD E&S WORKSHEET #1

Compost Filter Socks

| | | | |
|--------------------|---------------------------|-------|---------|
| PROJECT NAME: | PENNEAST PIPELINE PROJECT | | |
| LOCATION: | CARBON COUNTY | | |
| PROJECT COMPONENT: | MAINLINE | | |
| PREPARED BY: | KEK / JMB | DATE: | 10/2019 |
| CHECKED BY: | MDN | DATE: | 10/2019 |

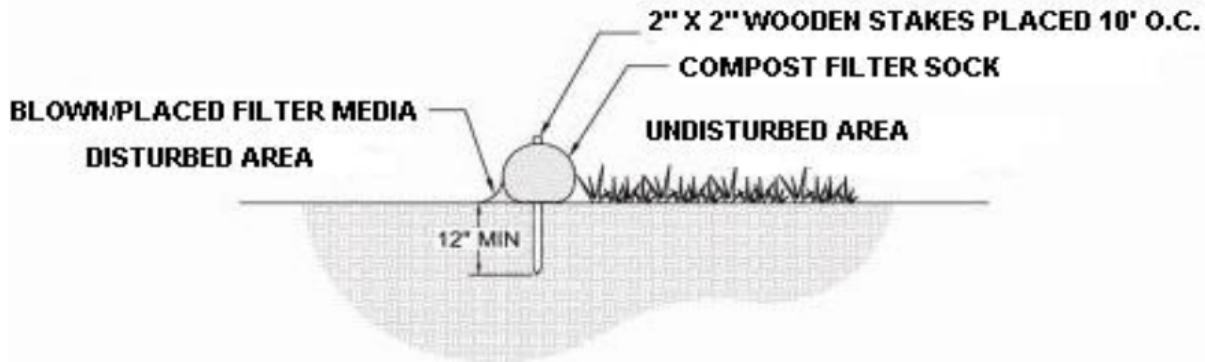


| MILEPOST | DIAMETER (IN) | LOCATION | SLOPE PERCENT | SLOPE LENGTH ABOVE BARRIER (FT) |
|----------|---------------|-----------------|---------------|---------------------------------|
| | | APPROX. STATION | | |
| 49.5R3 | 12 | 2611+42 | 21 | 38 |
| 49.5R3 | 12 | 2611+60 | 21 | 29 |
| 49.5R3 | 12 | 2611+78 | 21 | 21 |
| 49.5R3 | 12 | 2611+95 | 21 | 12 |
| 49.5R3 | 18 | 2612+30 | 19 | 71 |
| 49.5R3 | 12 | 2612+55 | 19 | 59 |
| 49.5R3 | 12 | 2612+67 | 19 | 44 |
| 49.5R3 | 18 | 2612+90 | 16 | 124 |
| 49.5R3 | 12 | 2613+14 | 15 | 100 |
| 49.5R3 | 12 | 2613+45 | 15 | 69 |
| 49.5R3 | 12 | 2613+76 | 14 | 36 |
| 49.5R3 | 12 | 2614+00 | 14 | 12 |
| 49.5R3 | 18 | 2614+20 | 13 | 142 |
| 49.5R3 | 18 | 2614+52 | 13 | 112 |
| 49.5R3 | 12 | 2614+92 | 12 | 72 |
| 49.5R3 | 12 | 2615+27 | 11 | 35 |
| 49.5R3 | 18 | 2615+83 | 13 | 134 |
| 49.5R3 | 12 | 2616+22 | 13 | 94 |
| 49.6R3 | 12 | 2616+57 | 14 | 57 |
| 49.6R3 | 12 | 2616+90 | 14 | 24 |
| 49.6R3 | 18 | 2617+28 | 14 | 141 |
| 49.6R3 | 18 | 2617+51 | 15 | 119 |
| 49.6R3 | 18 | 2617+81 | 16 | 88 |
| 49.6R3 | 12 | 2618+09 | 15 | 60 |
| 49.6R3 | 12 | 2618+44 | 15 | 24 |
| 49.6R3 | 18 | 2618+76 | 15 | 140 |

STANDARD E&S WORKSHEET #1

Compost Filter Socks

| | | |
|--------------------|---------------------------|---------------|
| PROJECT NAME: | PENNEAST PIPELINE PROJECT | |
| LOCATION: | CARBON COUNTY | |
| PROJECT COMPONENT: | MAINLINE | |
| PREPARED BY: | KEK / JMB | DATE: 10/2019 |
| CHECKED BY: | MDN | DATE: 10/2019 |

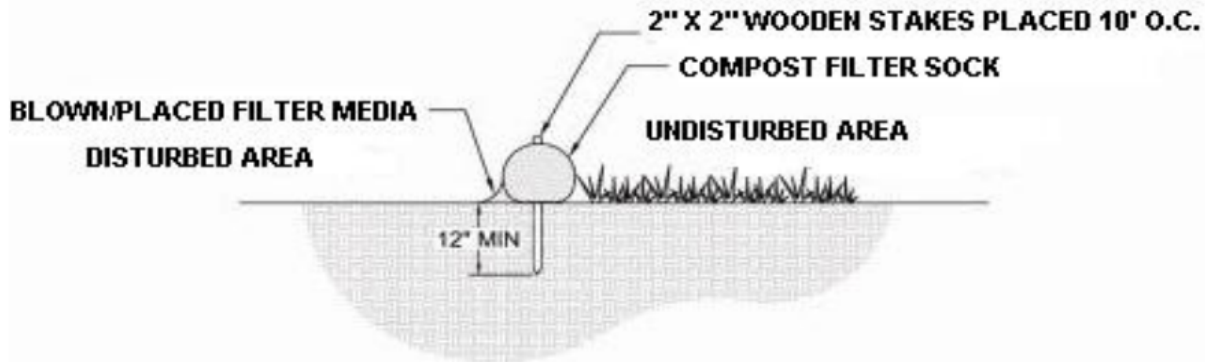


| MILEPOST | DIAMETER (IN) | LOCATION | SLOPE PERCENT | SLOPE LENGTH ABOVE BARRIER (FT) |
|----------|---------------|-----------------|---------------|---------------------------------|
| | | APPROX. STATION | | |
| 49.6R3 | 12 | 2619+18 | 15 | 97 |
| 49.6R3 | 12 | 2619+58 | 15 | 56 |
| 49.6R3 | 12 | 2619+96 | 15 | 18 |
| 49.6R3 | 18 | 2620+27 | 15 | 141 |
| 49.6R3 | 18 | 2620+56 | 15 | 112 |
| 49.6R3 | 12 | 2620+87 | 15 | 80 |
| 49.6R3 | 12 | 2621+13 | 15 | 52 |
| 49.6R3 | 12 | 2621+40 | 15 | 25 |
| 49.7R3 | 18 | 2621+80 | 16 | 87 |
| 49.7R3 | 12 | 2622+07 | 16 | 60 |
| 49.7R3 | 12 | 2622+45 | 15 | 21 |
| 49.7R3 | 18 | 2622+85 | 14 | 134 |
| 49.7R3 | 18 | 2623+16 | 14 | 104 |
| 49.7R3 | 12 | 2623+37 | 14 | 87 |
| 49.7R3 | 12 | 2623+53 | 15 | 71 |
| 49.7R3 | 12 | 2623+70 | 15 | 57 |
| 49.7R3 | 12 | 2623+86 | 15 | 43 |
| 49.7R3 | 12 | 2624+03 | 15 | 29 |
| 49.7R3 | 12 | 2624+18 | 15 | 17 |
| 49.7R3 | 18 | 2624+35 | 16 | 139 |
| 49.7R3 | 18 | 2624+53 | 16 | 123 |
| 49.7R3 | 18 | 2624+71 | 17 | 105 |
| 49.7R3 | 18 | 2624+87 | 17 | 89 |
| 49.8R3 | 18 | 2626+10 | 18 | 89 |
| 49.8R3 | 18 | 2626+30 | 19 | 70 |
| 49.8R3 | 12 | 2626+49 | 19 | 49 |

STANDARD E&S WORKSHEET #1

Compost Filter Socks

| | | |
|--------------------|---------------------------|---------------|
| PROJECT NAME: | PENNEAST PIPELINE PROJECT | |
| LOCATION: | CARBON COUNTY | |
| PROJECT COMPONENT: | MAINLINE | |
| PREPARED BY: | KEK / JMB | DATE: 10/2019 |
| CHECKED BY: | MDN | DATE: 10/2019 |

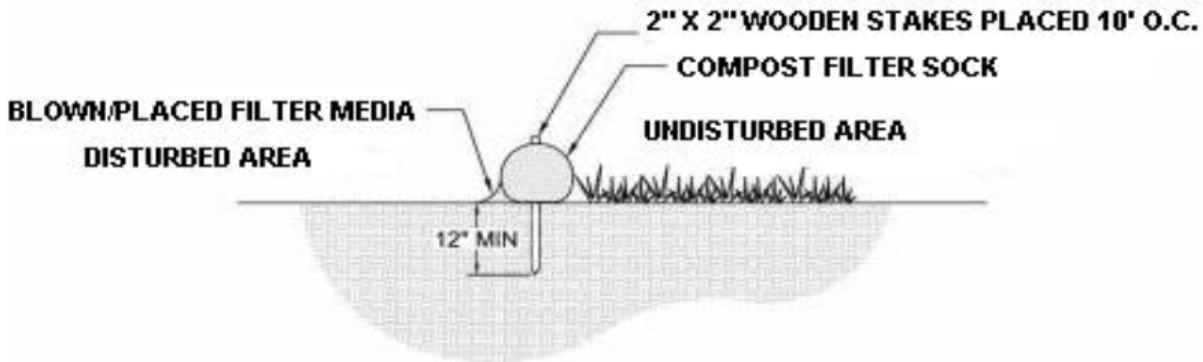


| MILEPOST | DIAMETER (IN) | LOCATION | SLOPE PERCENT | SLOPE LENGTH ABOVE BARRIER (FT) |
|----------|---------------|-----------------|---------------|---------------------------------|
| | | APPROX. STATION | | |
| 49.8R3 | 12 | 2626+68 | 19 | 29 |
| 49.8R3 | 18 | 2628+87 | 17 | 94 |
| 49.8R3 | 12 | 2629+57 | 15 | 94 |
| 49.8R3 | 12 | 2630+39 | 15 | 94 |
| 49.8R3 | 12 | 2631+36 | 14 | 94 |
| 49.8R3 | 12 | 2631+66 | 14 | 94 |
| 49.9R3 | 12 | 2632+12 | 15 | 92 |
| 49.9R3 | 18 | 2632+44 | 16 | 91 |
| 49.9R3 | 12 | 2632+88 | 15 | 92 |
| 49.9R3 | 12 | 2633+18 | 14 | 95 |
| 49.9R3 | 12 | 2633+39 | 15 | 95 |
| 49.9R3 | 18 | 2634+06 | 16 | 95 |
| 49.9R3 | 18 | 2634+70 | 16 | 92 |
| 49.9R3 | 18 | 2635+08 | 17 | 92 |
| 49.9R3 | 18 | 2635+37 | 16 | 95 |
| 49.9R3 | 18 | 2635+64 | 16 | 94 |
| 49.9R3 | 12 | 2636+41 | 15 | 94 |
| 50.0R3 | 12 | 2637+40 | 15 | 95 |
| 50.0R3 | 12 | 2637+69 | 15 | 94 |
| 50.0R3 | 12 | 2639+07 | 15 | 94 |
| 50.0R3 | 12 | 2639+40 | 15 | 96 |
| 50.0R3 | 12 | 2639+61 | 15 | 98 |
| 50.0R3 | 12 | 2639+83 | 15 | 96 |
| 50.0R3 | 12 | 2640+67 | 14 | 95 |
| 50.0R3 | 18 | 2641+00 | 14 | 104 |
| 50.0R3 | 18 | 2641+27 | 14 | 103 |

STANDARD E&S WORKSHEET #1

Compost Filter Socks

| | | | |
|--------------------|---------------------------|-------|---------|
| PROJECT NAME: | PENNEAST PIPELINE PROJECT | | |
| LOCATION: | CARBON COUNTY | | |
| PROJECT COMPONENT: | MAINLINE | | |
| PREPARED BY: | KEK / JMB | DATE: | 10/2019 |
| CHECKED BY: | MDN | DATE: | 10/2019 |

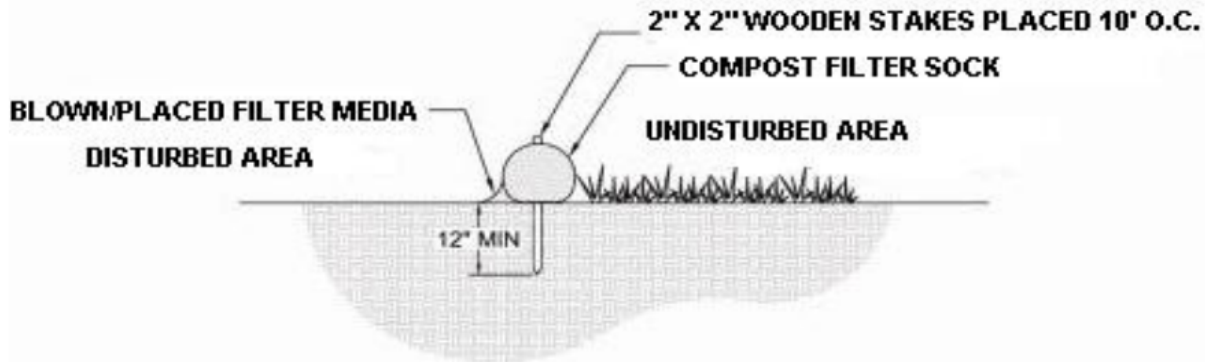


| MILEPOST | DIAMETER (IN) | LOCATION | SLOPE PERCENT | SLOPE LENGTH ABOVE BARRIER (FT) |
|----------|---------------|-----------------|---------------|---------------------------------|
| | | APPROX. STATION | | |
| 50.0R3 | 18 | 2641+46 | 15 | 103 |
| 50.0R3 | 18 | 2641+79 | 16 | 95 |
| 50.0R3 | 18 | 2642+31 | 16 | 95 |
| 50.1R3 | 18 | 2642+78 | 16 | 95 |
| 50.1R3 | 18 | 2643+08 | 16 | 99 |
| 50.1R3 | 18 | 2643+24 | 17 | 98 |
| 50.1R3 | 18 | 2643+82 | 17 | 95 |
| 50.1R3 | 12 | 2644+47 | 15 | 95 |
| 50.1R3 | 12 | 2644+76 | 15 | 95 |
| 50.1R3 | 18 | 2645+04 | 16 | 94 |
| 50.1R3 | 12 | 2646+19 | 15 | 97 |
| 50.1R3 | 12 | 2646+47 | 14 | 98 |
| 50.1R3 | 12 | 2647+15 | 14 | 94 |
| 50.1R3 | 12 | 2647+63 | 15 | 93 |
| 50.2R3 | 18 | 2648+76 | 17 | 93 |
| 50.2R3 | 18 | 2649+22 | 16 | 95 |
| 50.2R3 | 12 | 2650+04 | 15 | 96 |
| 50.2R3 | 18 | 2650+68 | 16 | 95 |
| 50.2R3 | 18 | 2651+35 | 18 | 96 |
| 50.2R3 | 18 | 2651+93 | 17 | 94 |
| 50.2R3 | 12 | 2652+37 | 15 | 94 |
| 50.2R3 | 12 | 2652+69 | 15 | 94 |
| 50.2R3 | 18 | 2653+19 | 16 | 95 |
| 50.3R3 | 18 | 2653+73 | 16 | 95 |
| 50.3R3 | 18 | 2654+10 | 17 | 96 |
| 50.3R3 | 18 | 2654+85 | 18 | 95 |

STANDARD E&S WORKSHEET #1

Compost Filter Socks

| | | |
|--------------------|---------------------------|---------------|
| PROJECT NAME: | PENNEAST PIPELINE PROJECT | |
| LOCATION: | CARBON COUNTY | |
| PROJECT COMPONENT: | MAINLINE | |
| PREPARED BY: | KEK / JMB | DATE: 10/2019 |
| CHECKED BY: | MDN | DATE: 10/2019 |

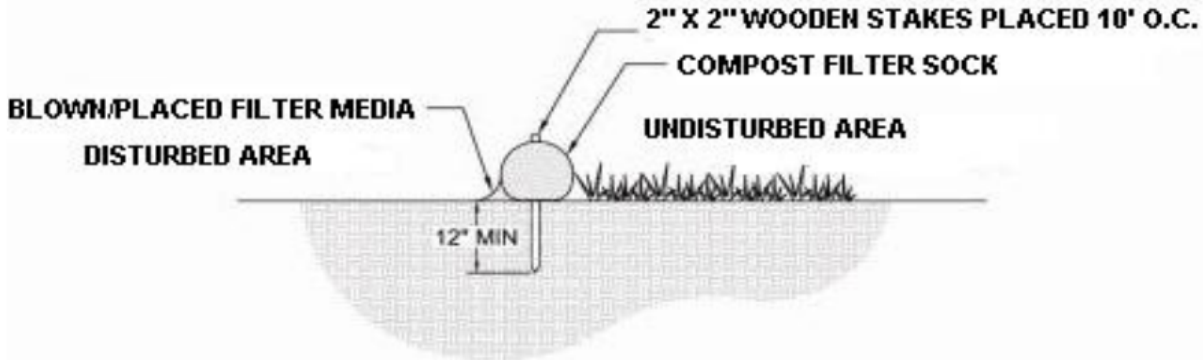


| MILEPOST | DIAMETER (IN) | LOCATION | SLOPE PERCENT | SLOPE LENGTH ABOVE BARRIER (FT) |
|----------|---------------|-----------------|---------------|---------------------------------|
| | | APPROX. STATION | | |
| 50.3R3 | 18 | 2655+11 | 18 | 95 |
| 50.3R3 | 18 | 2655+42 | 17 | 95 |
| 50.3R3 | 18 | 2655+80 | 19 | 95 |
| 50.3R3 | 18 | 2656+67 | 20 | 95 |
| 50.3R3 | 18 | 2657+38 | 19 | 98 |
| 50.3R3 | 18 | 2657+76 | 17 | 96 |
| 50.3R3 | 18 | 2658+31 | 16 | 94 |
| 50.4R3 | 18 | 2659+10 | 16 | 94 |
| 50.4R3 | 18 | 2659+49 | 16 | 95 |
| 50.4R3 | 18 | 2659+88 | 17 | 94 |
| 50.4R3 | 18 | 2660+06 | 17 | 94 |
| 50.4R3 | 18 | 2660+62 | 16 | 95 |
| 50.4R3 | 18 | 2661+13 | 17 | 95 |
| 50.4R3 | 18 | 2661+42 | 17 | 97 |
| 50.4R3 | 18 | 2661+57 | 16 | 94 |
| 50.4R3 | 12 | 2661+94 | 15 | 94 |
| 50.4R3 | 18 | 2662+18 | 16 | 96 |
| 50.4R3 | 18 | 2662+41 | 17 | 98 |
| 50.4R3 | 18 | 2662+52 | 17 | 95 |
| 50.4R3 | 18 | 2663+13 | 16 | 94 |
| 50.4R3 | 18 | 2663+57 | 16 | 94 |
| 50.5R3 | 18 | 2663+96 | 17 | 94 |
| 50.5R3 | 18 | 2664+15 | 17 | 97 |
| 50.5R3 | 18 | 2664+58 | 17 | 94 |
| 50.5R3 | 18 | 2665+06 | 18 | 95 |
| 50.5R3 | 18 | 2665+44 | 16 | 97 |

STANDARD E&S WORKSHEET #1

Compost Filter Socks

| | | |
|--------------------|---------------------------|---------------|
| PROJECT NAME: | PENNEAST PIPELINE PROJECT | |
| LOCATION: | CARBON COUNTY | |
| PROJECT COMPONENT: | MAINLINE | |
| PREPARED BY: | KEK / JMB | DATE: 10/2019 |
| CHECKED BY: | MDN | DATE: 10/2019 |

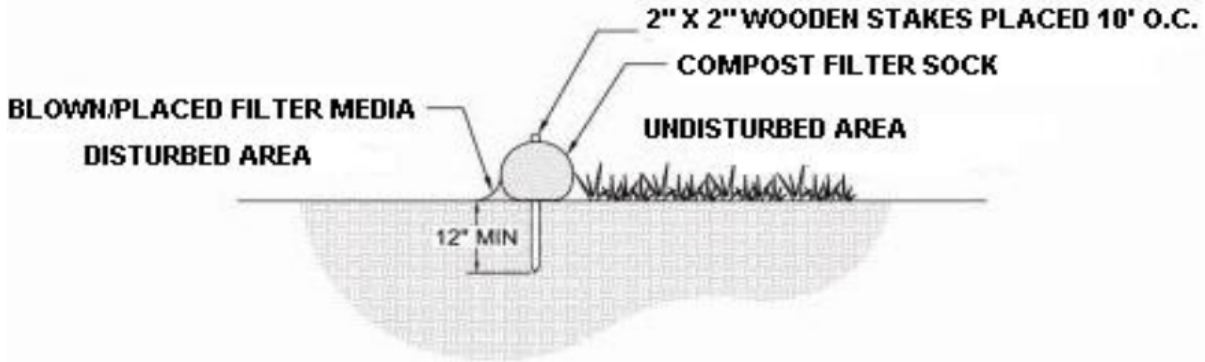


| MILEPOST | DIAMETER (IN) | LOCATION | SLOPE PERCENT | SLOPE LENGTH ABOVE BARRIER (FT) |
|----------|---------------|-----------------|---------------|---------------------------------|
| | | APPROX. STATION | | |
| 50.5R3 | 18 | 2665+89 | 16 | 96 |
| 50.5R3 | 18 | 2666+16 | 16 | 97 |
| 50.5R3 | 18 | 2666+31 | 16 | 98 |
| 50.5R3 | 18 | 2666+57 | 17 | 97 |
| 50.5R3 | 18 | 2666+79 | 16 | 94 |
| 50.5R3 | 12 | 2667+13 | 15 | 94 |
| 50.5R3 | 18 | 2668+03 | 14 | 105 |
| 50.5R3 | 18 | 2668+24 | 13 | 115 |
| 50.5R3 | 12 | 2668+47 | 13 | 99 |
| 50.6R3 | 18 | 2669+29 | 16 | 97 |
| 50.6R3 | 18 | 2670+06 | 17 | 95 |
| 50.6R3 | 18 | 2670+51 | 16 | 75 |
| 50.6R3 | 12 | 2671+04 | 14 | 75 |
| 50.6R3 | 12 | 2671+28 | 15 | 14 |
| 50.6R3 | 18 | 2671+55 | 16 | 75 |
| 50.6R3 | 12 | 2671+73 | 15 | 15 |
| 50.6R3 | 12 | 2671+96 | 13 | 12 |
| 50.6R3 | 12 | 2672+40 | 14 | 54 |
| 50.6R3 | 12 | 2672+51 | 14 | 41 |
| 50.6R3 | 12 | 2672+56 | 14 | 18 |
| 50.6R3 | 12 | 2672+66 | 14 | 75 |
| 50.6R3 | 12 | 2674+07 | 14 | 8 |
| 50.6R3 | 12 | 2674+19 | 14 | 48 |
| 50.7R3 | 12 | 2674+41 | 15 | 74 |
| 50.7R3 | 12 | 2675+12 | 16 | 13 |
| 50.7R3 | 18 | 2675+58 | 16 | 74 |

STANDARD E&S WORKSHEET #1

Compost Filter Socks

| | | | |
|--------------------|---------------------------|-------|---------|
| PROJECT NAME: | PENNEAST PIPELINE PROJECT | | |
| LOCATION: | CARBON COUNTY | | |
| PROJECT COMPONENT: | MAINLINE | | |
| PREPARED BY: | KEK / JMB | DATE: | 10/2019 |
| CHECKED BY: | MDN | DATE: | 10/2019 |

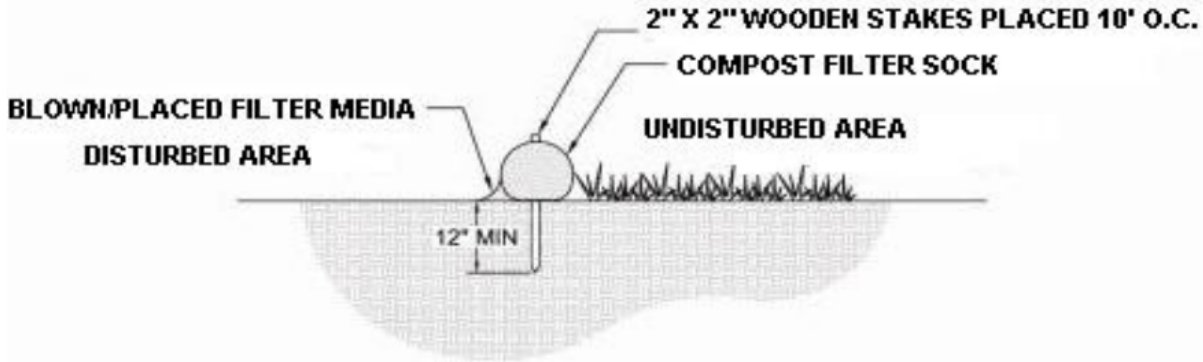


| MILEPOST | DIAMETER (IN) | LOCATION | SLOPE PERCENT | SLOPE LENGTH ABOVE BARRIER (FT) |
|----------|---------------|-----------------|---------------|---------------------------------|
| | | APPROX. STATION | | |
| 50.7R3 | 12 | 2676+33 | 15 | 74 |
| 50.7R3 | 12 | 2676+64 | 14 | 74 |
| 50.7R3 | 12 | 2677+00 | 13 | 74 |
| 50.7R3 | 12 | 2678+00 | 14 | 94 |

STANDARD E&S WORKSHEET #1

Compost Filter Socks

| | |
|--------------------|--|
| PROJECT NAME: | PENNEAST PIPELINE PROJECT |
| LOCATION: | CARBON COUNTY |
| PROJECT COMPONENT: | ACCESS ROADS |
| PREPARED BY: | KEK / JMB DATE: 10/2019 |
| CHECKED BY: | MDN DATE: 10/2019 |

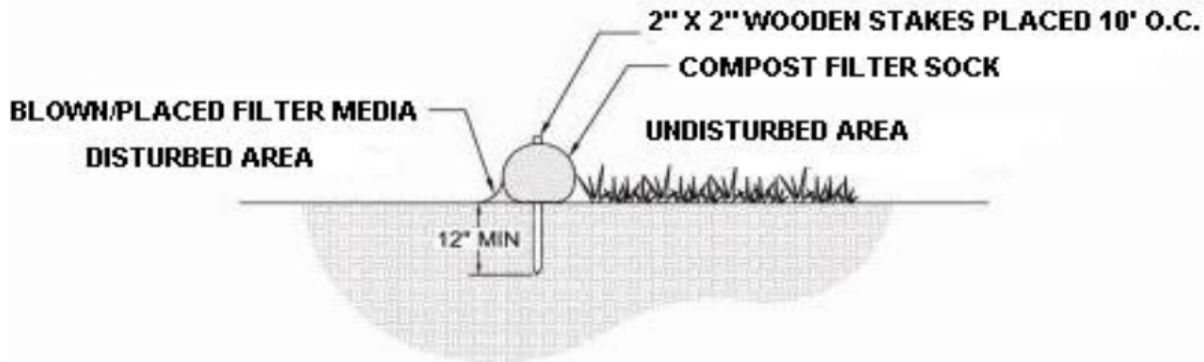


| MILEPOST | ACCESS ROAD | DIAMETER (IN) | LOCATION | SLOPE PERCENT | SLOPE LENGTH ABOVE BARRIER (FT) |
|----------|-------------|---------------|-----------------|---------------|---------------------------------|
| | | | APPROX. STATION | | |
| 25.0 | AR-034 | 18 | 1318+35 | 8 | 222 |
| 25.0 | AR-034 | 24 | 1318+43 | 9 | 258 |
| 32.0R2 | AR-037A | 32 | 1691+98 | 2 | 647 |
| 32.0R2 | AR-037A | 32 | 1692+01 | 1 | 622 |
| 35.8 | AR-040 | 12 | 1890+27 | 2 | 157 |
| 35.8 | AR-040 | 12 | 1891+11 | 3 | 150 |
| 35.8 | AR-040 | 12 | 1891+70 | 2 | 195 |
| 45.0R2 | AR-046 | 18 | 2377+40 | 17 | 100 |
| 45.0R2 | AR-046 | 12 | 2377+50 | 17 | 68 |
| 45.0R2 | AR-046 | 12 | 2377+59 | 12 | 28 |
| 48.1 | AR-048 | 18 | 2541+41 | 9 | 163 |

STANDARD E&S WORKSHEET #1

Compost Filter Socks

| | |
|--------------------|--|
| PROJECT NAME: | PENNEAST PIPELINE PROJECT |
| LOCATION: | CARBON COUNTY |
| PROJECT COMPONENT: | STAGING AREAS |
| PREPARED BY: | KEK / JMB DATE: 10/2019 |
| CHECKED BY: | MDN DATE: 10/2019 |

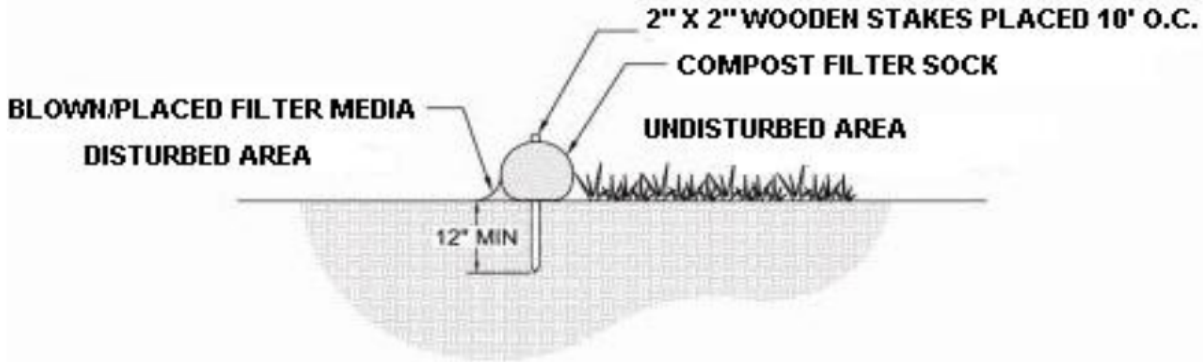


| MILEPOST | STAGING AREA | DIAMETER (IN) | LOCATION | SLOPE PERCENT | SLOPE LENGTH ABOVE BARRIER (FT) |
|----------|--------------|---------------|-----------------|---------------|---------------------------------|
| | | | APPROX. STATION | | |
| 25.0 | PE-STA-B-04 | 18 | 1317+69 | 9 | 162 |
| 25.0 | PE-STA-B-05 | 18 | 1320+43 | 8 | 190 |
| 25.0 | PE-STA-B-05 | 12 | 1321+22 | 9 | 112 |
| 25.0 | PE-STA-B-05 | 12 | 1321+55 | 9 | 81 |
| 25.0 | PE-STA-B-05 | 12 | 1321+90 | 9 | 44 |
| 25.0 | PE-STA-B-05 | 12 | 1322+60 | 5 | 222 |
| 25.1 | PE-STA-B-05 | 12 | 1322+92 | 4 | 210 |
| 25.1 | PE-STA-B-05 | 12 | 1323+60 | 3 | 153 |
| 25.1 | PE-STA-B-05 | 12 | 1324+00 | 3 | 124 |
| 25.1 | PE-STA-B-05 | 12 | 1324+51 | 2 | 105 |
| 25.1 | PE-STA-B-05 | 12 | 1325+41 | 2 | 107 |
| 25.1 | PE-STA-B-05 | 12 | 1326+27 | 5 | 104 |
| 25.1 | PE-STA-B-05 | 12 | 1326+31 | 1 | 148 |
| 25.1 | PE-STA-B-05 | 12 | 1326+31 | 2 | 121 |
| 48.8R3 | PE-STA-C-10 | 24 | 2584+68 | 13 | 219 |
| 48.9R3 | PE-STA-C-10 | 24 | 2584+81 | 13 | 244 |
| 48.9R3 | PE-STA-C-10 | 32" DURASOXX | 2584+97 | 13 | 377 |
| 49.0R3 | PE-STA-C-10 | 32 | 2584+97 | 12 | 257 |
| 49.2R3 | PE-STA-C-10 | 32 | 2584+97 | 12 | 268 |
| 48.9R3 | PE-STA-C-10 | 32 | 2584+97 | 13 | 321 |
| 48.9R3 | PE-STA-C-10 | 32 | 2584+97 | 13 | 298 |
| 48.9R3 | PE-STA-C-10 | 32 | 2584+97 | 13 | 274 |
| 49.0R3 | PE-STA-C-10 | 24 | 2584+97 | 11 | 216 |
| 49.0R3 | PE-STA-C-10 | 24 | 2584+97 | 11 | 223 |
| 49.0R3 | PE-STA-C-10 | 24 | 2584+97 | 12 | 234 |
| 49.0R3 | PE-STA-C-10 | 24 | 2584+97 | 12 | 246 |

STANDARD E&S WORKSHEET #1

Compost Filter Socks

| | |
|--------------------|--|
| PROJECT NAME: | PENNEAST PIPELINE PROJECT |
| LOCATION: | CARBON COUNTY |
| PROJECT COMPONENT: | STAGING AREAS |
| PREPARED BY: | KEK / JMB DATE: 10/2019 |
| CHECKED BY: | MDN DATE: 10/2019 |



| MILEPOST | STAGING AREA | DIAMETER (IN) | LOCATION | SLOPE PERCENT | SLOPE LENGTH ABOVE BARRIER (FT) |
|----------|--------------|---------------|-----------------|---------------|---------------------------------|
| | | | APPROX. STATION | | |
| 49.2R3 | PE-STA-C-10 | 12 | 2584+97 | 15 | 25 |
| 49.2R3 | PE-STA-C-10 | 12 | 2584+97 | 14 | 18 |
| 49.2R3 | PE-STA-C-10 | 12 | 2584+97 | 16 | 11 |
| 49.2R3 | PE-STA-C-10 | 32 | 2595+19 | 12 | 282 |
| 49.2R3 | PE-STA-C-10 | 12 | 2595+46 | 11 | 18 |
| 49.2R3 | PE-STA-C-10 | 12 | 2597+15 | 14 | 35 |
| 49.2R3 | PE-STA-C-10 | 12 | 2597+18 | 14 | 47 |
| 49.2R3 | PE-STA-C-10 | 12 | 2597+22 | 14 | 59 |
| 49.2R3 | PE-STA-C-10 | 12 | 2597+25 | 15 | 69 |
| 49.2R3 | PE-STA-C-10 | 18 | 2597+29 | 16 | 79 |
| 49.2R3 | PE-STA-C-10 | 18 | 2597+31 | 16 | 87 |