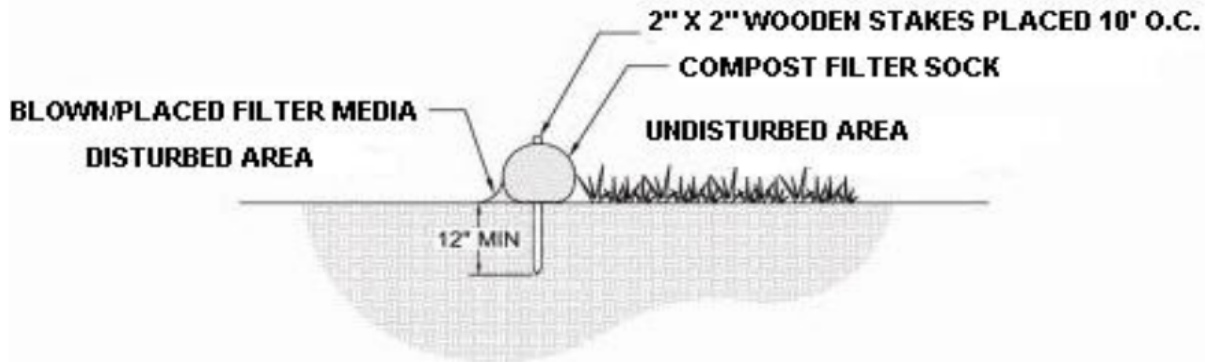


Appendix 1C  
Monroe County

# STANDARD E&S WORKSHEET #1

## Compost Filter Socks

PROJECT NAME:	PENNEAST PIPELINE PROJECT		
LOCATION:	MONROE COUNTY		
PROJECT COMPONENT:	MAINLINE		
PREPARED BY:	KEK / JMB	DATE:	10/2019
CHECKED BY:	MDN	DATE:	10/2019

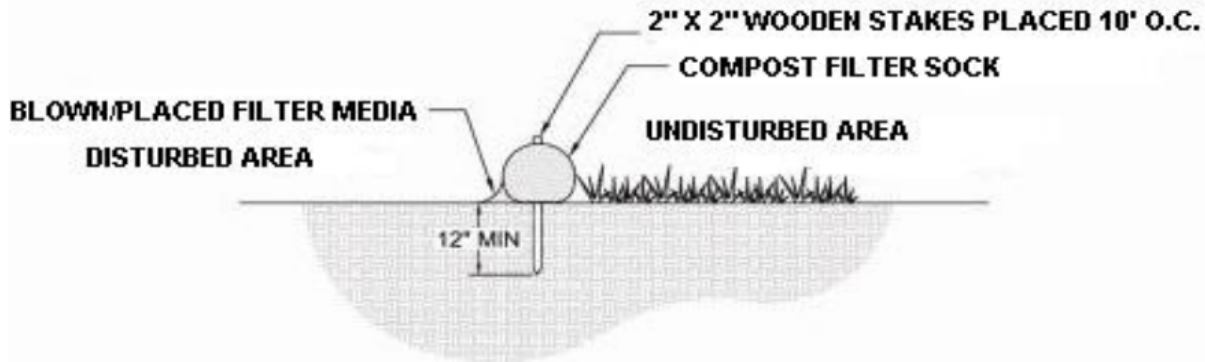


MILEPOST	DIAMETER (IN)	LOCATION	SLOPE PERCENT	SLOPE LENGTH ABOVE BARRIER (FT)
		APPROX. STATION		
50.7R3	12	2678+00	14	94
50.7R3	12	2678+92	15	94
50.7R3	18	2679+19	16	99
50.7R3	12	2679+47	15	94
50.8R3	12	2679+89	14	94
50.8R3	12	2680+22	15	94
50.8R3	12	2680+71	15	94
50.8R3	12	2681+43	14	94
50.8R3	12	2681+99	14	94
50.8R3	12	2682+41	15	99
50.8R3	18	2683+33	17	95
50.8R3	18	2683+80	16	95
50.8R3	18	2684+07	16	95
50.8R3	18	2684+40	16	95
50.8R3	12	2684+63	15	98
50.9R3	12	2684+89	15	94
50.9R3	12	2685+82	13	100
50.9R3	12	2686+39	14	94
50.9R3	12	2687+50	13	96
50.9R3	18	2687+60	14	109
50.9R3	12	2687+90	14	79
50.9R3	12	2688+64	15	79
50.9R3	18	2689+12	16	89
50.9R3	12	2689+30	15	64
50.9R3	18	2689+49	16	81
50.9R3	12	2689+70	15	80

# STANDARD E&S WORKSHEET #1

## Compost Filter Socks

PROJECT NAME:	PENNEAST PIPELINE PROJECT	
LOCATION:	MONROE COUNTY	
PROJECT COMPONENT:	MAINLINE	
PREPARED BY:	KEK / JMB	DATE: 10/2019
CHECKED BY:	MDN	DATE: 10/2019

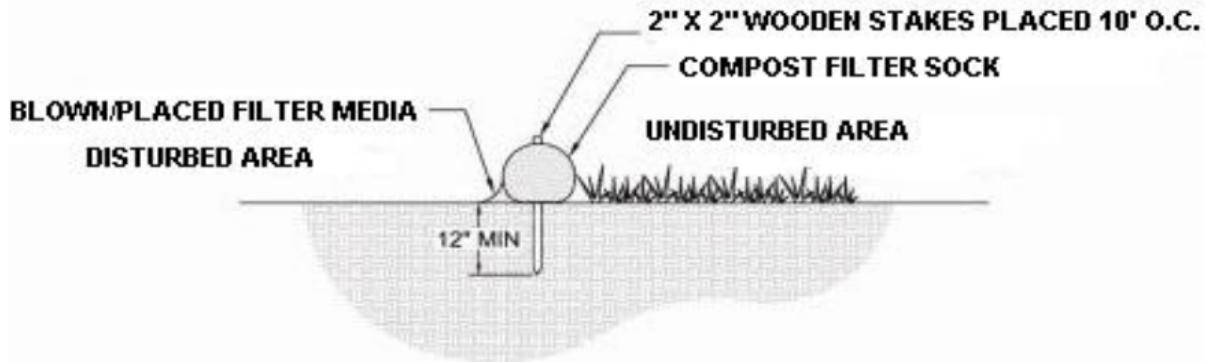


MILEPOST	DIAMETER (IN)	LOCATION	SLOPE PERCENT	SLOPE LENGTH ABOVE BARRIER (FT)
		APPROX. STATION		
51.0R3	12	2690+48	15	79
51.0R3	12	2691+07	15	80
51.0R3	18	2691+79	18	79
51.0R3	12	2692+03	18	64
51.0R3	18	2692+31	16	79
51.0R3	12	2692+64	15	80
51.0R3	12	2694+31	14	79
51.0R3	12	2694+76	16	64
51.1R3	18	2695+87	16	79
51.1R3	18	2697+26	19	80
51.1R3	18	2697+48	22	65
51.1R3	18	2697+91	21	81
51.1R3	18	2698+31	22	86
51.1R3	24	2698+98	22	101
51.1R3	18	2699+29	20	113
51.1R3	12	2699+60	21	45
51.1R3	12	2699+69	21	38
51.2R3	12	2702+93	11	29
51.2R3	12	2703+08	12	13
51.2R3	12	2703+44	17	59
51.2R3	12	2703+60	17	45
51.2R3	12	2703+74	18	32
51.2R3	12	2703+91	19	15
51.2R3	18	2704+18	19	97
51.2R3	18	2704+31	20	79
51.2R3	12	2704+44	20	68

# STANDARD E&S WORKSHEET #1

## Compost Filter Socks

PROJECT NAME:	PENNEAST PIPELINE PROJECT		
LOCATION:	MONROE COUNTY		
PROJECT COMPONENT:	MAINLINE		
PREPARED BY:	KEK / JMB	DATE:	10/2019
CHECKED BY:	MDN	DATE:	10/2019

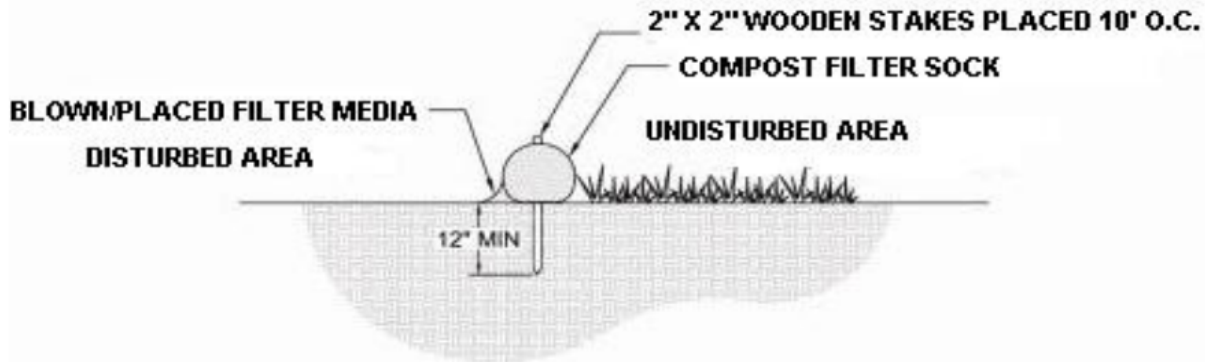


MILEPOST	DIAMETER (IN)	LOCATION	SLOPE PERCENT	SLOPE LENGTH ABOVE BARRIER (FT)
		APPROX. STATION		
51.2R3	18	2704+56	21	58
51.2R3	12	2704+66	21	49
51.2R3	12	2704+77	21	39
51.2R3	12	2704+88	20	31
51.2R3	12	2704+99	20	19
51.2R3	12	2705+10	19	8
51.2R3	18	2705+14	17	79
51.3R3	18	2706+50	18	70
51.3R3	12	2706+69	18	50
51.3R3	12	2706+92	18	24
51.3R3	18	2707+47	18	75
51.3R3	12	2707+69	18	52
51.3R3	12	2707+95	18	25
51.3R3	18	2708+41	17	73
51.3R3	12	2708+64	18	51
51.3R3	12	2708+89	18	26
51.3R3	12	2709+42	19	68
51.3R3	12	2709+67	20	40
51.3R3	18	2710+20	20	93
51.3R3	18	2710+43	20	71
51.3R3	12	2710+70	21	44
51.3R3	12	2710+93	21	22
51.4R3	24	2711+31	28	85
51.4R3	18	2711+58	31	51
51.4R3	18	2711+99	31	49
51.4R3	18	2712+11	31	41

# STANDARD E&S WORKSHEET #1

## Compost Filter Socks

PROJECT NAME:	PENNEAST PIPELINE PROJECT		
LOCATION:	MONROE COUNTY		
PROJECT COMPONENT:	MAINLINE		
PREPARED BY:	KEK / JMB	DATE:	10/2019
CHECKED BY:	MDN	DATE:	10/2019

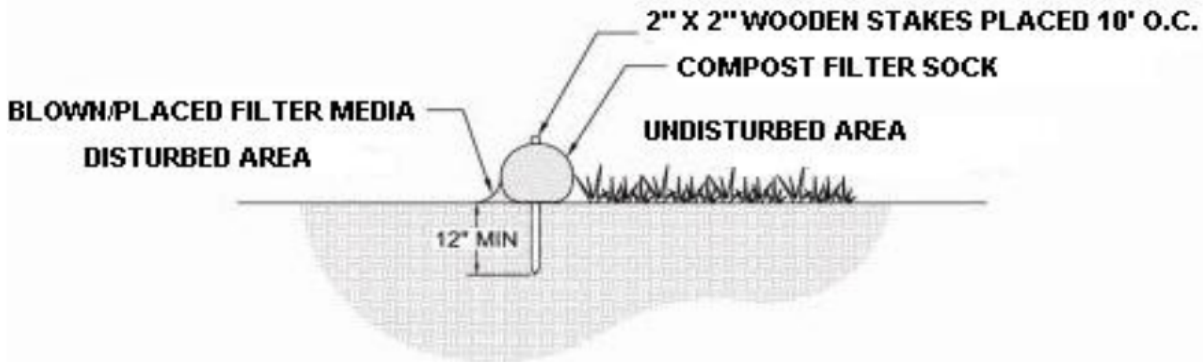


MILEPOST	DIAMETER (IN)	LOCATION	SLOPE PERCENT	SLOPE LENGTH ABOVE BARRIER (FT)
		APPROX. STATION		
51.4R3	18	2712+20	33	45
51.4R3	12	2712+38	34	29
51.4R3	18	2712+83	32	41
51.4R3	12	2713+05	31	16
51.4R3	18	2714+30	40	42
51.4R3	12	2714+52	40	23
51.4R3	24	2714+84	43	43
51.4R3	12	2715+07	44	22
51.4R3	32" DURASOXX	2716+38	51	38
51.5R3	32" DURASOXX	2716+58	51	14
51.5R3	32" DURASOXX	2716+80	51	43
51.5R3	32" DURASOXX	2717+00	51	21
51.5R3	32" DURASOXX	2717+29	51	43
51.5R3	32" DURASOXX	2717+47	51	21
51.5R3	32	2717+76	50	49
51.5R3	32" DURASOXX	2717+98	52	21
51.5R3	32" DURASOXX	2719+32	51	37
51.5R3	24	2719+87	49	36
51.5R3	12	2720+07	49	17
51.5R3	18	2720+41	46	28
51.5R3	12	2720+59	45	11
51.5R3	24	2720+88	50	34
51.5R3	12	2721+09	47	13
51.5R3	18	2721+43	44	37
51.5R3	12	2721+68	44	12
51.6R3	24	2721+98	46	34

# STANDARD E&S WORKSHEET #1

## Compost Filter Socks

PROJECT NAME:	PENNEAST PIPELINE PROJECT	
LOCATION:	MONROE COUNTY	
PROJECT COMPONENT:	MAINLINE	
PREPARED BY:	KEK / JMB	DATE: 10/2019
CHECKED BY:	MDN	DATE: 10/2019

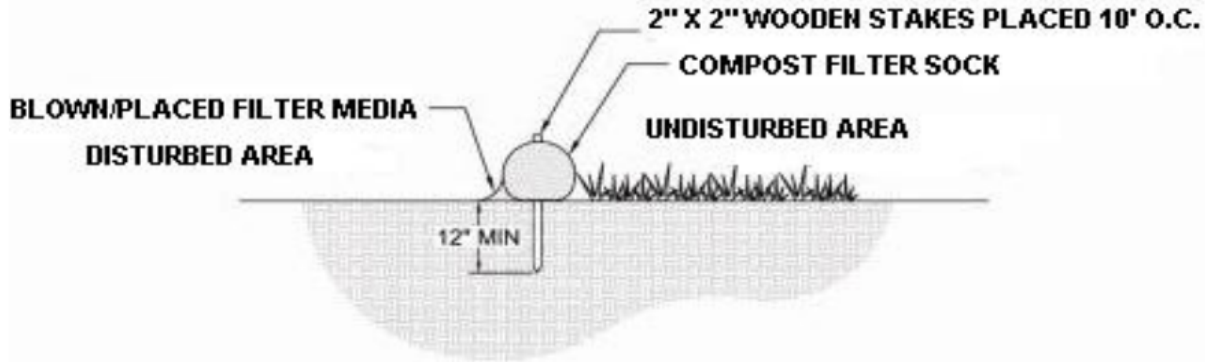


MILEPOST	DIAMETER (IN)	LOCATION	SLOPE PERCENT	SLOPE LENGTH ABOVE BARRIER (FT)
		APPROX. STATION		
51.6R3	12	2722+21	46	11
51.6R3	24	2722+42	46	33
51.6R3	12	2722+62	46	14
51.6R3	18	2722+93	45	40
51.6R3	12	2723+14	45	18
51.6R3	12	2723+50	43	22
51.6R3	24	2723+79	39	66
51.6R3	24	2723+91	37	59
51.6R3	32	2723+92	36	89
51.6R3	24	2723+92	36	78
51.6R3	24	2723+92	36	68
51.6R3	24	2724+06	35	79
51.6R3	24	2724+19	34	68
51.6R3	18	2724+32	34	59
51.6R3	18	2724+46	32	51
51.6R3	18	2724+60	32	42
51.6R3	12	2724+73	33	29
51.6R3	18	2724+81	22	72
51.6R3	18	2724+81	20	78
51.6R3	18	2724+81	17	95
51.6R3	12	2724+86	35	20
51.6R3	12	2724+99	35	11
51.6R3	12	2725+34	34	33
51.6R3	12	2725+60	32	13
51.6R3	12	2725+83	28	20
51.6R3	12	2725+94	28	10

# STANDARD E&S WORKSHEET #1

## Compost Filter Socks

PROJECT NAME:	PENNEAST PIPELINE PROJECT	
LOCATION:	MONROE COUNTY	
PROJECT COMPONENT:	MAINLINE	
PREPARED BY:	KEK / JMB	DATE: 10/2019
CHECKED BY:	MDN	DATE: 10/2019

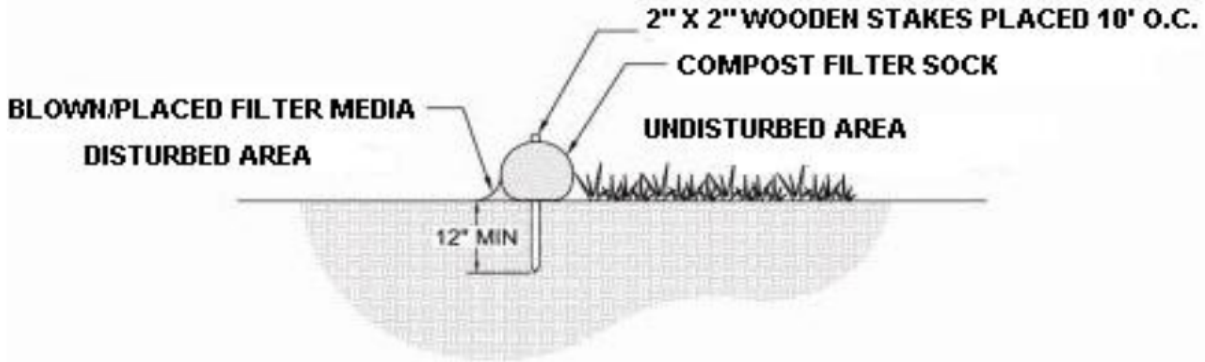


MILEPOST	DIAMETER (IN)	LOCATION	SLOPE PERCENT	SLOPE LENGTH ABOVE BARRIER (FT)
		APPROX. STATION		
51.6R3	18	2726+17	24	76
51.6R3	18	2726+39	22	60
51.6R3	12	2726+62	20	42
51.6R3	12	2726+80	20	19
51.6R3	24	2727+09	6	290
51.7R3	24	2727+22	6	257
51.7R3	12	2727+36	5	242
51.7R3	18	2727+51	7	165
51.7R3	12	2727+65	8	114
51.7R3	12	2727+79	8	95
51.7R3	12	2727+92	8	63
51.7R3	12	2728+13	7	39
51.7R3	12	2728+27	7	23
51.7R3	12	2728+83	1	221
51.7R3	12	2729+77	2	111

# STANDARD E&S WORKSHEET #1

## Compost Filter Socks

PROJECT NAME:	PENNEAST PIPELINE PROJECT	
LOCATION:	MONROE COUNTY	
PROJECT COMPONENT:	ACCESS ROADS	
PREPARED BY:	KEK / JMB	DATE: 10/2019
CHECKED BY:	MDN	DATE: 10/2019



MILEPOST	ACCESS ROAD	DIAMETER (IN)	LOCATION	SLOPE PERCENT	SLOPE LENGTH ABOVE BARRIER (FT)
			APPROX. STATION		
51.4R3	AR-048CN	18	2713+27	33	46
51.4R3	AR-048CN	12	2713+47	34	30
51.4R3	AR-048CN	12	2713+62	34	14