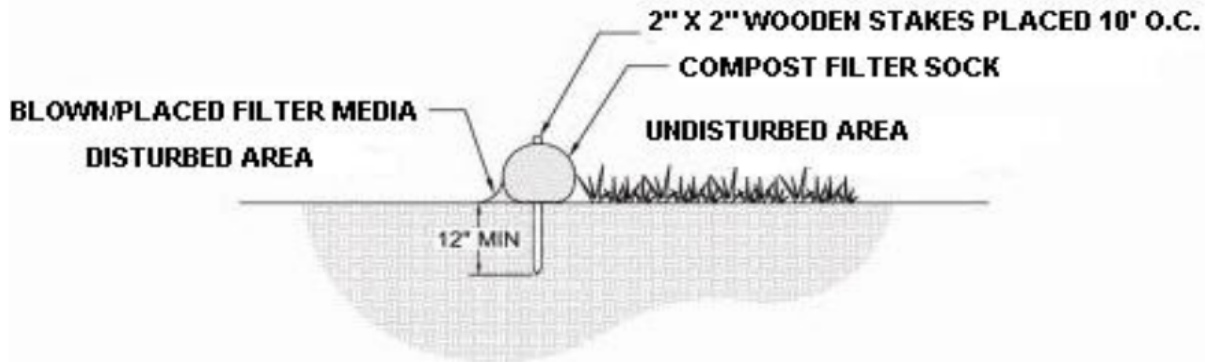


Appendix 1E
Bucks County

STANDARD E&S WORKSHEET #1

Compost Filter Socks

| | | |
|--------------------|---------------------------|---------------|
| PROJECT NAME: | PENNEAST PIPELINE PROJECT | |
| LOCATION: | BUCKS COUNTY | |
| PROJECT COMPONENT: | MAINLINE | |
| PREPARED BY: | KEK / JMB | DATE: 10/2019 |
| CHECKED BY: | MDN | DATE: 10/2019 |

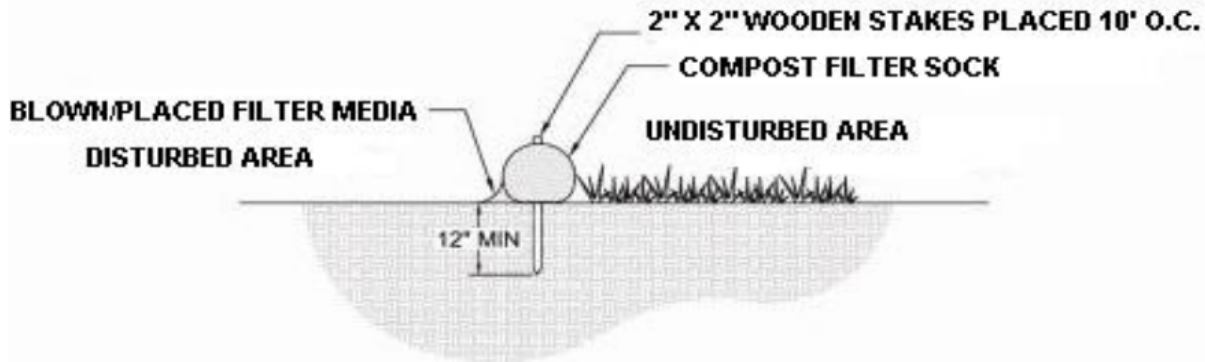


| MILEPOST | DIAMETER (IN) | LOCATION | SLOPE PERCENT | SLOPE LENGTH ABOVE BARRIER (FT) |
|----------|---------------|-----------------|---------------|---------------------------------|
| | | APPROX. STATION | | |
| 75.9 | 12 | 4009+65 | 28 | 39 |
| 76.0 | 12 | 4011+70 | 8 | 27 |
| 76.2 | 12 | 4021+86 | 19 | 25 |
| 76.2 | 12 | 4021+96 | 18 | 36 |
| 76.2 | 12 | 4022+18 | 16 | 62 |
| 76.2 | 12 | 4022+45 | 14 | 94 |
| 76.2 | 12 | 4022+54 | 15 | 85 |
| 76.2 | 12 | 4022+60 | 15 | 80 |
| 76.2 | 12 | 4024+03 | 11 | 92 |
| 76.2 | 12 | 4024+35 | 10 | 126 |
| 76.2 | 18 | 4024+62 | 10 | 163 |
| 76.2 | 12 | 4024+86 | 10 | 20 |
| 76.2 | 12 | 4025+05 | 11 | 39 |
| 76.2 | 12 | 4025+08 | 11 | 38 |
| 76.2 | 12 | 4025+30 | 10 | 37 |
| 76.2 | 12 | 4025+41 | 8 | 29 |
| 76.2 | 12 | 4025+52 | 8 | 41 |
| 76.2 | 12 | 4025+53 | 9 | 58 |
| 76.2 | 12 | 4025+66 | 7 | 23 |
| 76.2 | 12 | 4025+68 | 8 | 62 |
| 76.3 | 12 | 4026+02 | 7 | 55 |
| 76.3 | 12 | 4026+91 | 6 | 69 |
| 76.3 | 12 | 4027+17 | 9 | 76 |
| 76.3 | 12 | 4027+68 | 9 | 80 |
| 76.3 | 12 | 4028+05 | 10 | 89 |
| 76.3 | 12 | 4028+19 | 10 | 79 |

STANDARD E&S WORKSHEET #1

Compost Filter Socks

| | | | |
|--------------------|---------------------------|-------|---------|
| PROJECT NAME: | PENNEAST PIPELINE PROJECT | | |
| LOCATION: | BUCKS COUNTY | | |
| PROJECT COMPONENT: | MAINLINE | | |
| PREPARED BY: | KEK / JMB | DATE: | 10/2019 |
| CHECKED BY: | MDN | DATE: | 10/2019 |

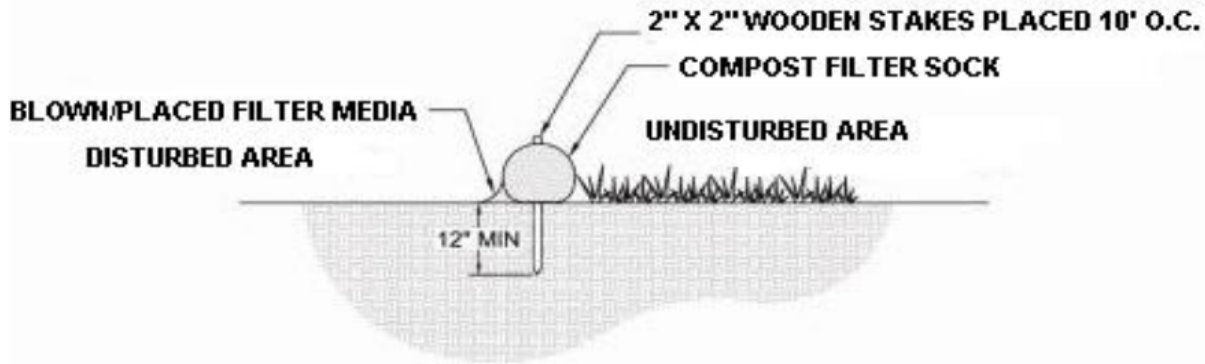


| MILEPOST | DIAMETER (IN) | LOCATION | SLOPE PERCENT | SLOPE LENGTH ABOVE BARRIER (FT) |
|----------|---------------|-----------------|---------------|---------------------------------|
| | | APPROX. STATION | | |
| 76.3 | 12 | 4028+49 | 9 | 149 |
| 76.3 | 18 | 4029+43 | 9 | 160 |
| 76.3 | 18 | 4030+01 | 8 | 161 |
| 76.4 | 12 | 4031+61 | 13 | 84 |
| 76.4 | 12 | 4031+85 | 14 | 63 |
| 76.4 | 12 | 4032+18 | 13 | 33 |
| 76.4 | 12 | 4032+23 | 9 | 123 |
| 76.4 | 12 | 4032+85 | 9 | 101 |
| 76.4 | 12 | 4033+30 | 9 | 58 |
| 76.4 | 12 | 4033+72 | 8 | 20 |
| 76.4 | 12 | 4034+16 | 9 | 119 |
| 76.4 | 12 | 4034+52 | 9 | 87 |
| 76.4 | 12 | 4034+65 | 7 | 22 |
| 76.4 | 12 | 4034+98 | 9 | 45 |
| 76.4 | 18 | 4035+68 | 15 | 122 |
| 76.4 | 18 | 4036+04 | 16 | 86 |
| 76.4 | 12 | 4036+38 | 16 | 53 |
| 76.4 | 12 | 4036+52 | 17 | 45 |
| 76.5 | 12 | 4037+47 | 3 | 107 |
| 76.5 | 12 | 4037+56 | 3 | 127 |
| 76.5 | 12 | 4038+76 | 2 | 77 |
| 76.5 | 12 | 4039+94 | 2 | 117 |
| 76.5 | 12 | 4040+18 | 3 | 99 |
| 76.5 | 12 | 4040+42 | 2 | 78 |
| 76.5 | 12 | 4040+66 | 3 | 57 |
| 76.6 | 12 | 4043+42 | 3 | 164 |

STANDARD E&S WORKSHEET #1

Compost Filter Socks

| | | | |
|--------------------|---------------------------|-------|---------|
| PROJECT NAME: | PENNEAST PIPELINE PROJECT | | |
| LOCATION: | BUCKS COUNTY | | |
| PROJECT COMPONENT: | MAINLINE | | |
| PREPARED BY: | KEK / JMB | DATE: | 10/2019 |
| CHECKED BY: | MDN | DATE: | 10/2019 |

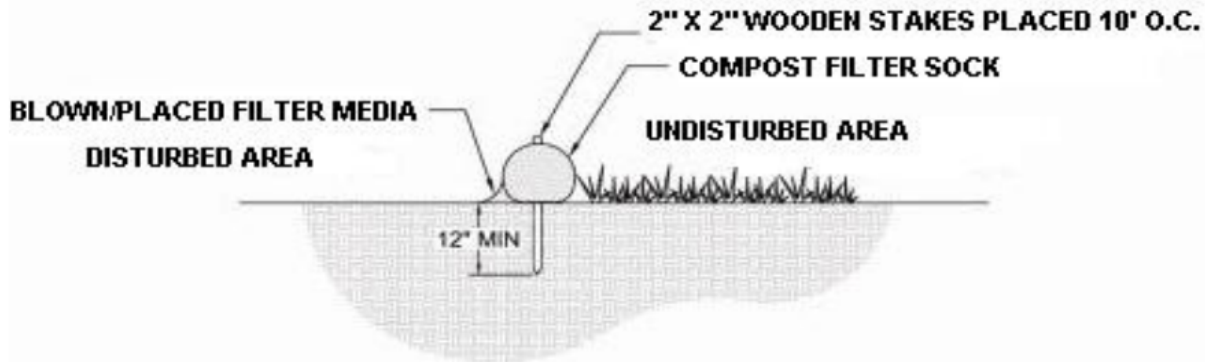


| MILEPOST | DIAMETER (IN) | LOCATION | SLOPE PERCENT | SLOPE LENGTH ABOVE BARRIER (FT) |
|----------|---------------|-----------------|---------------|---------------------------------|
| | | APPROX. STATION | | |
| 76.6 | 12 | 4043+69 | 3 | 149 |
| 76.6 | 12 | 4045+56 | 5 | 74 |
| 76.6 | 12 | 4046+13 | 3 | 40 |
| 76.6 | 12 | 4046+69 | 3 | 95 |
| 76.7 | 12 | 4047+81 | 2 | 96 |
| 76.7 | 12 | 4047+93 | 2 | 107 |
| 76.7 | 12 | 4048+02 | 2 | 109 |
| 76.7 | 12 | 4048+96 | 3 | 78 |
| 76.7 | 12 | 4049+31 | 3 | 87 |
| 76.7 | 12 | 4049+77 | 1 | 145 |
| 76.7 | 12 | 4049+84 | 7 | 29 |
| 76.7 | 12 | 4049+95 | 1 | 153 |
| 76.7 | 12 | 4049+96 | 1 | 143 |
| 76.7 | 12 | 4050+12 | 7 | 55 |
| 76.7 | 12 | 4050+41 | 8 | 81 |
| 76.7 | 12 | 4050+67 | 9 | 105 |
| 76.7 | 12 | 4051+05 | 9 | 139 |
| 76.7 | 12 | 4051+81 | 7 | 70 |
| 76.8 | 12 | 4052+78 | 6 | 113 |
| 76.8 | 12 | 4054+58 | 6 | 121 |
| 76.8 | 12 | 4055+21 | 9 | 34 |
| 76.8 | 12 | 4055+80 | 9 | 73 |
| 76.8 | 12 | 4056+62 | 8 | 128 |
| 76.8 | 12 | 4056+97 | 9 | 20 |
| 76.9R2 | 12 | 4057+72 | 7 | 71 |
| 76.9R2 | 12 | 4058+10 | 5 | 123 |

STANDARD E&S WORKSHEET #1

Compost Filter Socks

| | | |
|--------------------|---------------------------|---------------|
| PROJECT NAME: | PENNEAST PIPELINE PROJECT | |
| LOCATION: | BUCKS COUNTY | |
| PROJECT COMPONENT: | MAINLINE | |
| PREPARED BY: | KEK / JMB | DATE: 10/2019 |
| CHECKED BY: | MDN | DATE: 10/2019 |

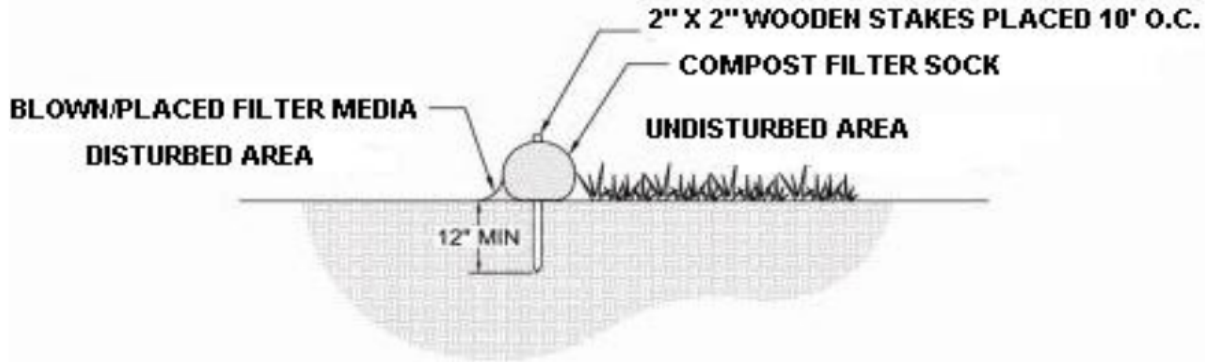


| MILEPOST | DIAMETER (IN) | LOCATION | SLOPE PERCENT | SLOPE LENGTH ABOVE BARRIER (FT) |
|----------|---------------|-----------------|---------------|---------------------------------|
| | | APPROX. STATION | | |
| 76.9R2 | 12 | 4058+59 | 5 | 123 |
| 76.9R2 | 12 | 4059+21 | 5 | 123 |
| 76.9R2 | 12 | 4060+66 | 6 | 56 |
| 76.9R2 | 24 | 4062+90 | 2 | 396 |
| 77.0R2 | 12 | 4063+29 | 5 | 28 |
| 77.0R2 | 24 | 4064+94 | 3 | 479 |
| 77.0R2 | 24 | 4066+21 | 4 | 438 |
| 77.0R2 | 24 | 4067+13 | 4 | 431 |
| 77.0R2 | 24 | 4067+61 | 4 | 433 |
| 77.1R2 | 24 | 4068+45 | 5 | 468 |
| 77.1R2 | 24 | 4069+05 | 5 | 480 |
| 77.1R2 | 12 | 4069+92 | 6 | 39 |
| 77.1R2 | 12 | 4070+46 | 6 | 75 |
| 77.1R2 | 12 | 4071+15 | 6 | 124 |
| 77.1R2 | 12 | 4071+47 | 6 | 144 |
| 77.1R2 | 18 | 4071+75 | 7 | 163 |
| 77.1R2 | 12 | 4072+48 | 7 | 44 |
| 77.1R2 | 12 | 4073+10 | 6 | 96 |
| 77.1R2 | 12 | 4073+40 | 12 | 83 |
| 77.1R2 | 12 | 4073+57 | 11 | 73 |
| 77.1R2 | 18 | 4073+62 | 8 | 218 |
| 77.2R2 | 32" DURASOXX | 4074+04 | 7 | 461 |
| 77.2R2 | 12 | 4074+18 | 4 | 64 |
| 77.2R2 | 32" DURASOXX | 4074+44 | 7 | 539 |
| 77.2R2 | 12 | 4074+48 | 5 | 105 |
| 77.2R2 | 12 | 4074+70 | 5 | 137 |

STANDARD E&S WORKSHEET #1

Compost Filter Socks

| | | |
|--------------------|---------------------------|---------------|
| PROJECT NAME: | PENNEAST PIPELINE PROJECT | |
| LOCATION: | BUCKS COUNTY | |
| PROJECT COMPONENT: | MAINLINE | |
| PREPARED BY: | KEK / JMB | DATE: 10/2019 |
| CHECKED BY: | MDN | DATE: 10/2019 |

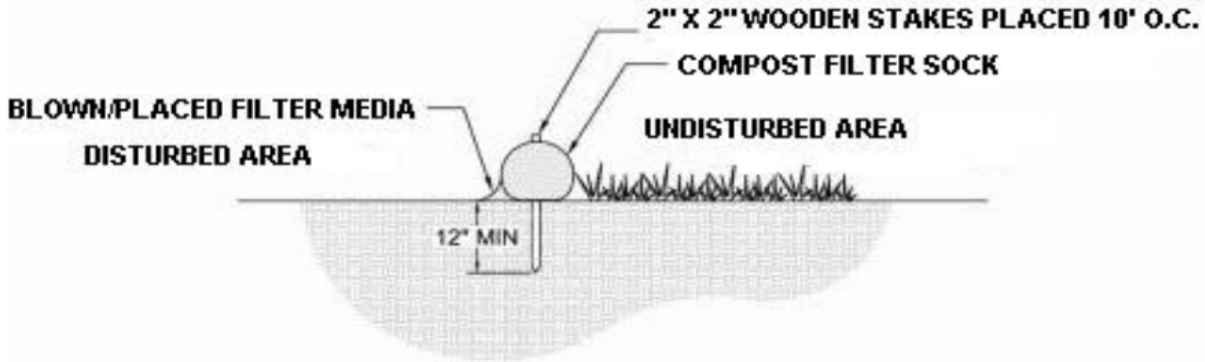


| MILEPOST | DIAMETER (IN) | LOCATION | SLOPE PERCENT | SLOPE LENGTH ABOVE BARRIER (FT) |
|----------|---------------|-----------------|---------------|---------------------------------|
| | | APPROX. STATION | | |
| 77.2R2 | 12 | 4074+78 | 13 | 14 |
| 77.2R2 | 12 | 4074+98 | 5 | 45 |
| 77.2R2 | 12 | 4075+16 | 13 | 30 |
| 77.2R2 | 12 | 4077+62 | 11 | 89 |
| 77.2R2 | 12 | 4077+92 | 8 | 13 |
| 77.2R2 | 12 | 4078+19 | 9 | 35 |
| 77.3 | 12 | 4078+48 | 9 | 61 |
| 77.3 | 12 | 4078+73 | 8 | 87 |
| 77.3 | 12 | 4078+74 | 9 | 68 |
| 77.3 | 12 | 4078+85 | 10 | 62 |
| 77.3 | 12 | 4079+12 | 11 | 78 |
| 77.4 | 12 | 4087+55 | 3 | 18 |
| 77.4 | 12 | 4087+71 | 3 | 76 |
| 77.4 | 12 | 4088+01 | 1 | 90 |
| 77.4 | 12 | 4088+42 | 1 | 101 |

STANDARD E&S WORKSHEET #1

Compost Filter Socks

| | | | |
|--------------------|---------------------------|-------|---------|
| PROJECT NAME: | PENNEAST PIPELINE PROJECT | | |
| LOCATION: | BUCKS COUNTY | | |
| PROJECT COMPONENT: | ACCESS ROADS | | |
| PREPARED BY: | KEK / JMB | DATE: | 10/2019 |
| CHECKED BY: | MDN | DATE: | 10/2019 |



| MILEPOST | ACCESS ROAD | DIAMETER (IN) | LOCATION | SLOPE PERCENT | SLOPE LENGTH ABOVE BARRIER (FT) |
|----------|-------------|---------------|-----------------|---------------|---------------------------------|
| | | | APPROX. STATION | | |
| 77.4 | AR-080 | 32" DURASOXX | 4084+90 | 7 | 1208 |
| 77.4 | AR-080 | 32" DURASOXX | 4085+04 | 10 | 723 |
| 77.4 | AR-080 | 32" DURASOXX | 4085+15 | 11 | 674 |
| 77.4 | AR-080 | 32" DURASOXX | 4085+66 | 14 | 578 |
| 77.4 | AR-080 | 32" DURASOXX | 4085+86 | 13 | 597 |
| 77.4 | AR-080 | 32" DURASOXX | 4086+22 | 14 | 601 |
| 77.5 | AR-080 | 18 | 4089+65 | 1 | 266 |