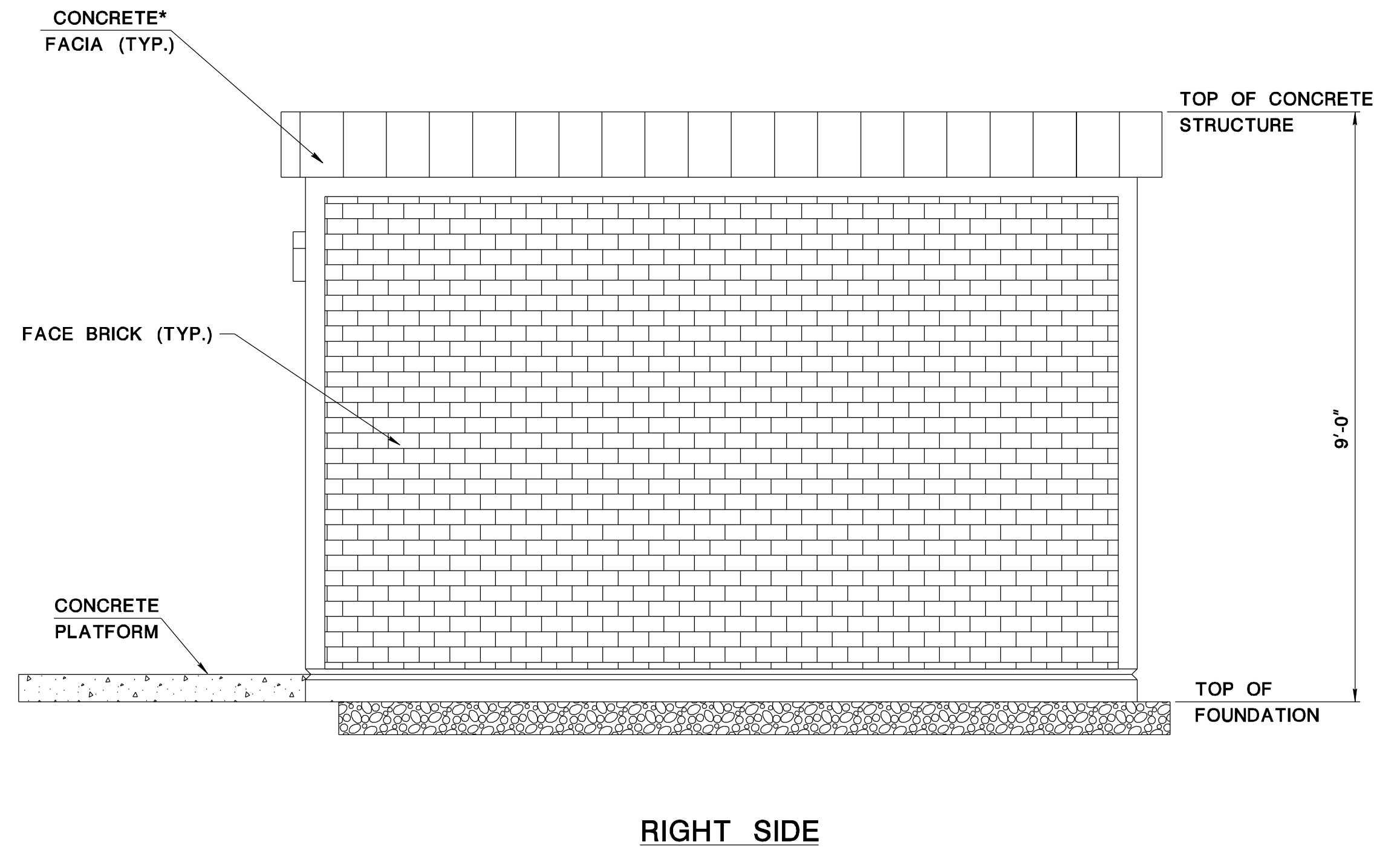
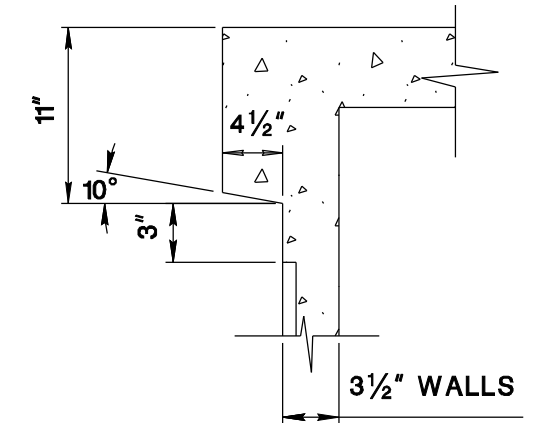


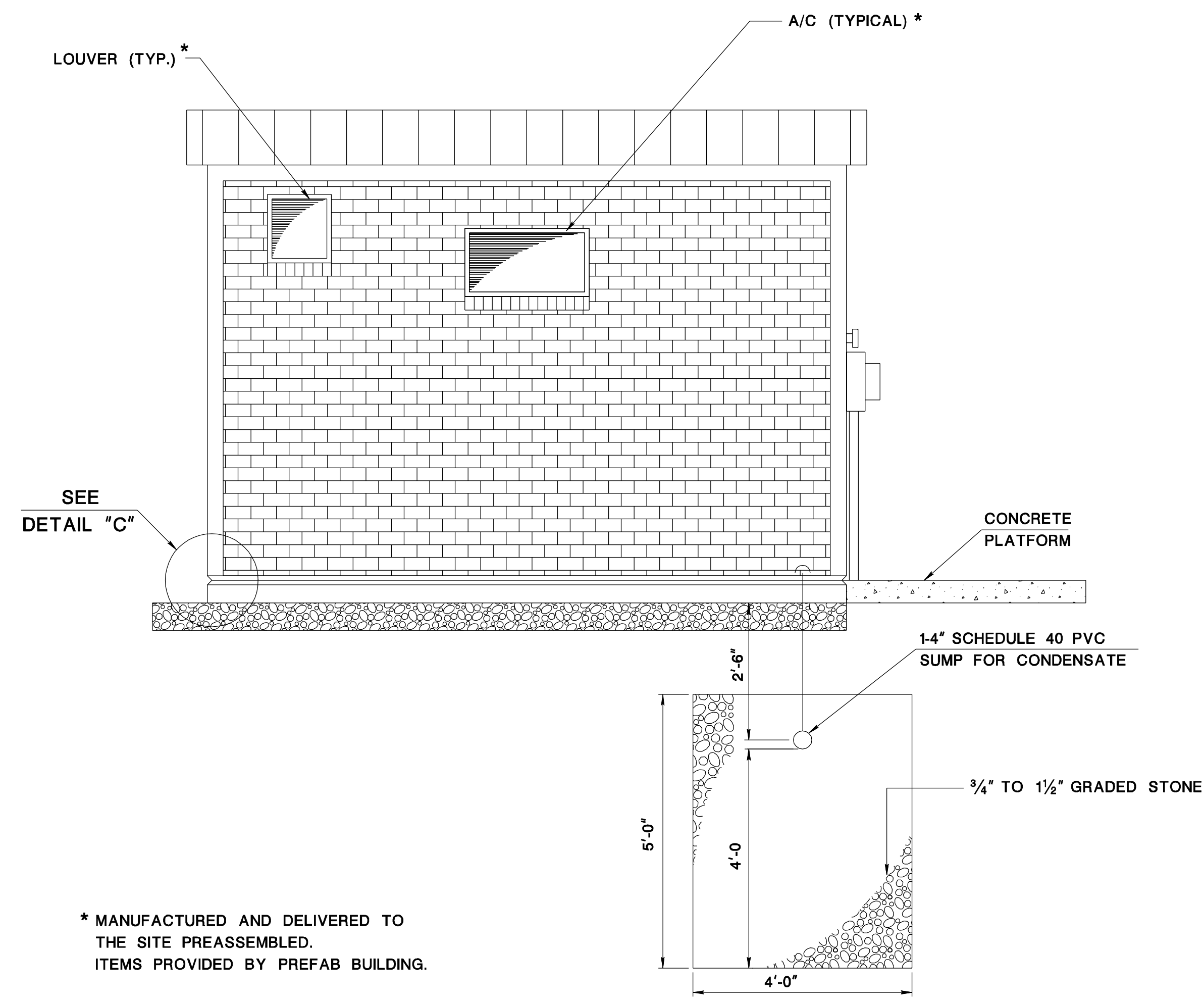
FRONT



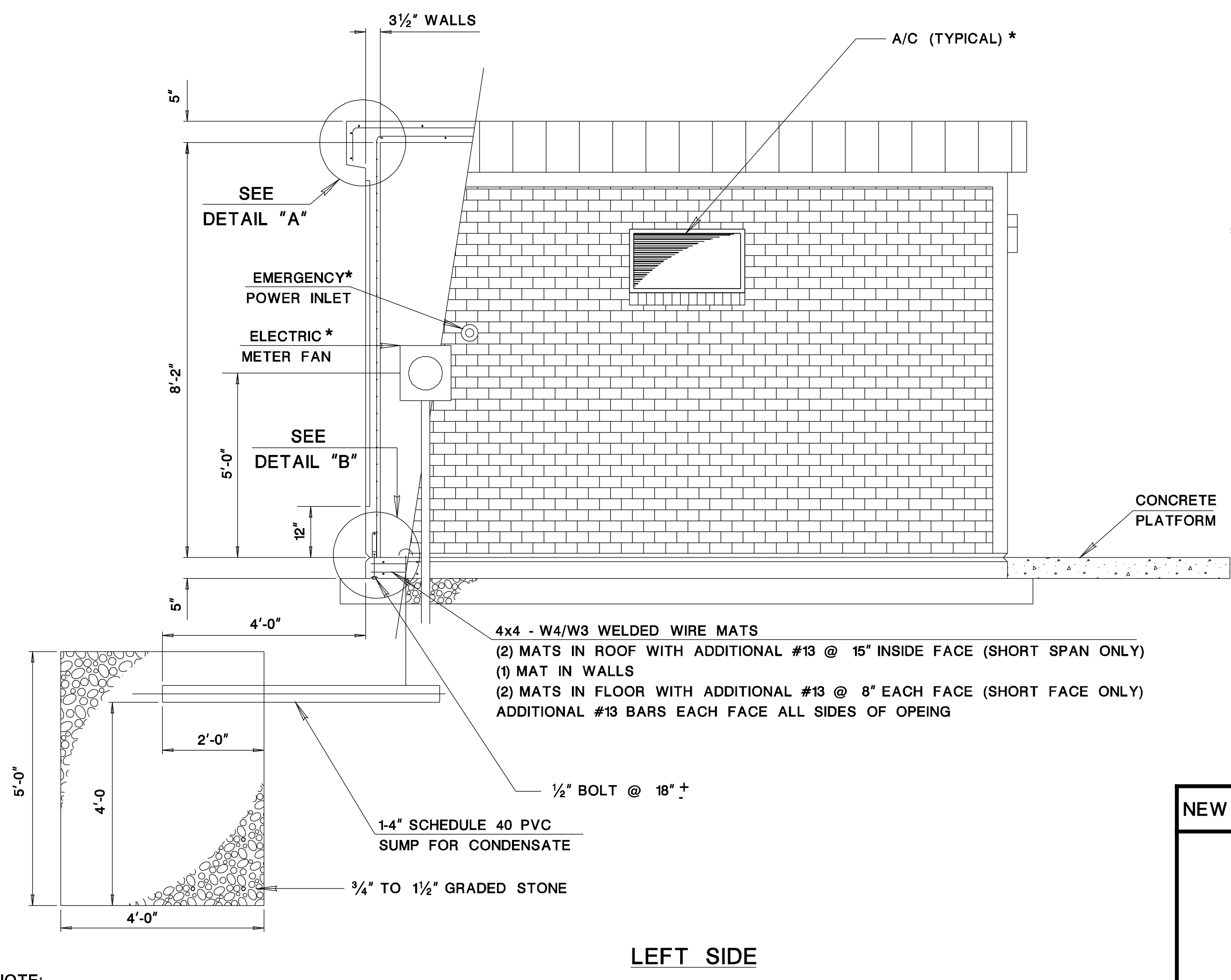
RIGHT SIDE



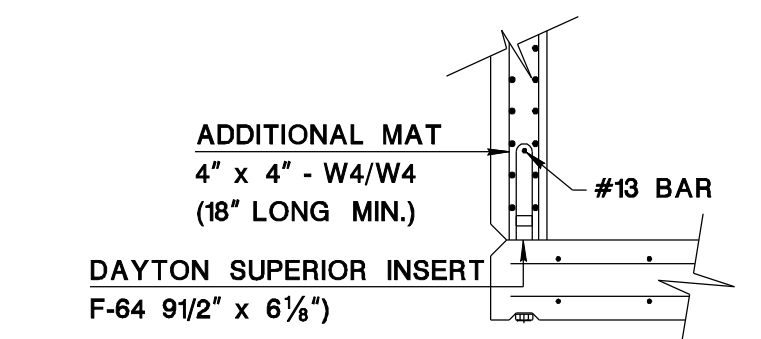
DETAIL "A"



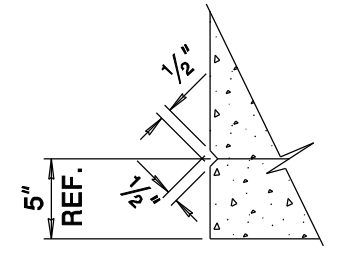
BACK



LEFT SIDE



DETAIL "B" - ADDITIONAL REINFORCING



DETAIL "C"

\* MANUFACTURED AND DELIVERED TO THE SITE PREASSEMBLED. ITEMS PROVIDED BY PREFAB BUILDING.

NOTE:  
1. ALL BAR SIZES ARE DESIGNATED IN SOFT METRIC SIZES.

NOT TO SCALE

ITS-704-26  
NEW JERSEY DEPARTMENT OF TRANSPORTATION

**ITS DETAILS**  
COMMUNICATION HUB

